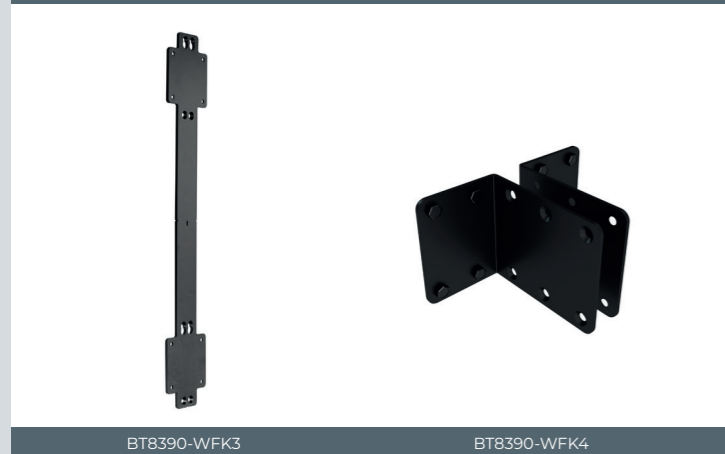


System X Mounting Guide: Wall / Floor

Create a custom System X wall mount or floor stand in 4 simple steps
 The System X range offers a versatile, component-based design for multi-screen and digital signage applications. Components can be individually supplied for custom installations, providing flexibility and convenience. Additionally, System X is compatible with System 2 050mm poles for ceiling-mounted setups.

Step 1 Choose Floor Or Wall Mounted Setup

Wall Mounts



Floor Bases



BT8380-Base Accessories

For use with BT8380-BASE only



Step 2 Choose Height Of Column

Columns



Column Extension Kit

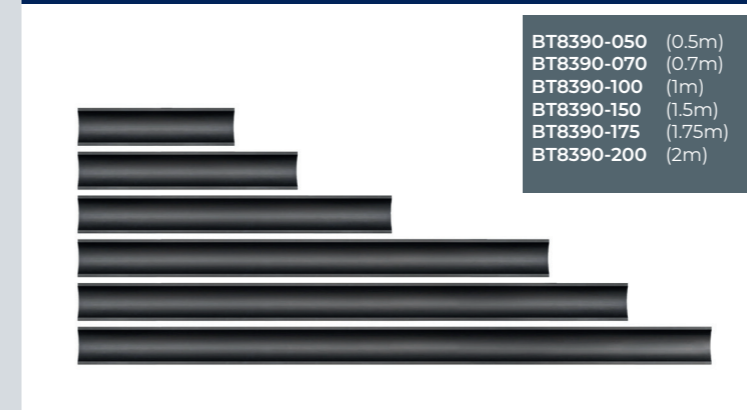


Columns



Step 3 Choose Length Of Mounting Rail

Mounting Rails



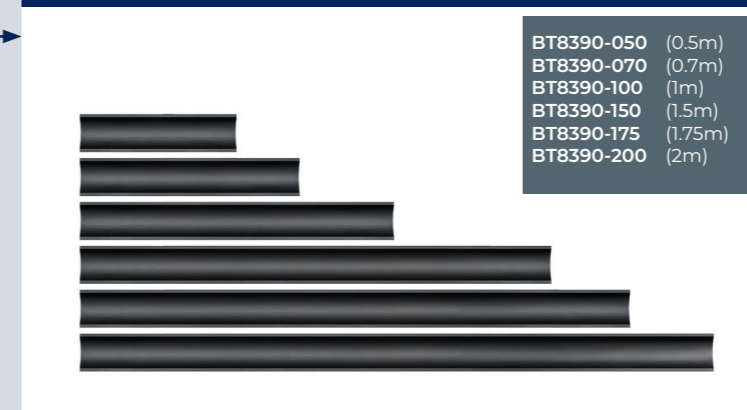
Rail Extension Kit



Angle Connector



Mounting Rails



Joining Kit

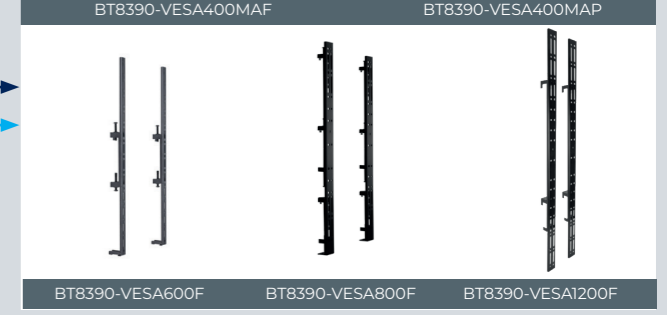


Adaptor Kit



Step 4 Choose Screen Interface Kit

Screen Interface Arms



Step 5 Add Accessories



System X Mounting Guide: Pole Mounts

Create a custom System X ceiling mount in 4 simple steps

The System X range offers a versatile, component-based design for multi-screen and digital signage applications. Components can be individually supplied for custom installations, providing flexibility and convenience. Additionally, System X is compatible with System 2 Ø50mm poles for ceiling-mounted setups.

Step 1

Choose a SYSTEM 2 ceiling, wall or floor mount

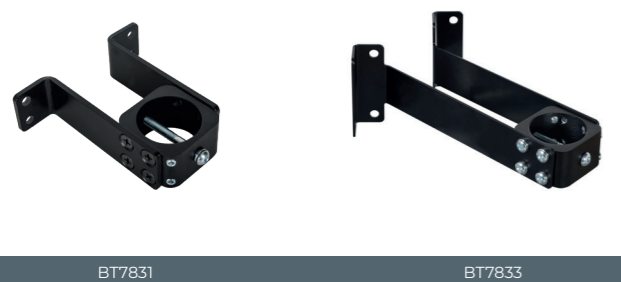
Ceiling Mounts



Specialist Mounts



Wall Mounts



Floor Mounts

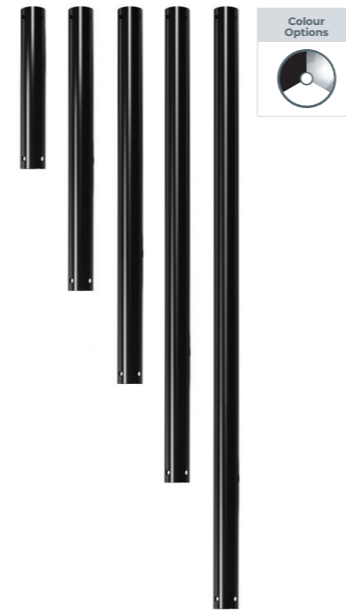


Step 2

Choose length of SYSTEM 2 pole

Ø50mm Poles

- Standard**
- BT7850-050 (0.5m)
 - BT7850-100 (1m)
 - BT7850-150 (1.5m)
 - BT7850-200 (2m)
 - BT7850-300 (3m)
- Heavy-Duty** *only available in black*
- BT7853-200 (2m)
 - BT7853-300 (3m)

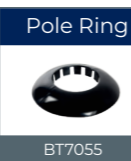


Pole Joiners



Ø50mm Poles

- Standard**
- BT7850-050 (0.5m)
 - BT7850-100 (1m)
 - BT7850-150 (1.5m)
 - BT7850-200 (2m)
 - BT7850-300 (3m)
- Heavy-Duty** *only available in black*
- BT7853-200 (2m)
 - BT7853-300 (3m)



Step 3

Choose length of SYSTEM X mounting rail

Ø50mm Accessory Collars



Collar Mounting Bracket



Mounting Rails



- BT8390-050 (0.5m)
- BT8390-070 (0.7m)
- BT8390-100 (1m)
- BT8390-150 (1.5m)
- BT8390-175 (1.75m)
- BT8390-200 (2m)

Rail Extension Kit



Angle Connector



Mounting Rails



- BT8390-050 (0.5m)
- BT8390-070 (0.7m)
- BT8390-100 (1m)
- BT8390-150 (1.5m)
- BT8390-175 (1.75m)
- BT8390-200 (2m)

Step 4

Choose a SYSTEM X interface kit & accessory

Accessories



Screen Interface Arms

