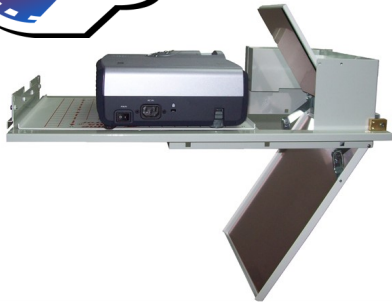




•WWW.CEYMSA.COM•

CATÁLOGO DE PRODUCTO

CEYMSA



CONCEALMENT SYSTEMS

HC-37.53ED

Concealment system for video projectors by optical reflection mirrors

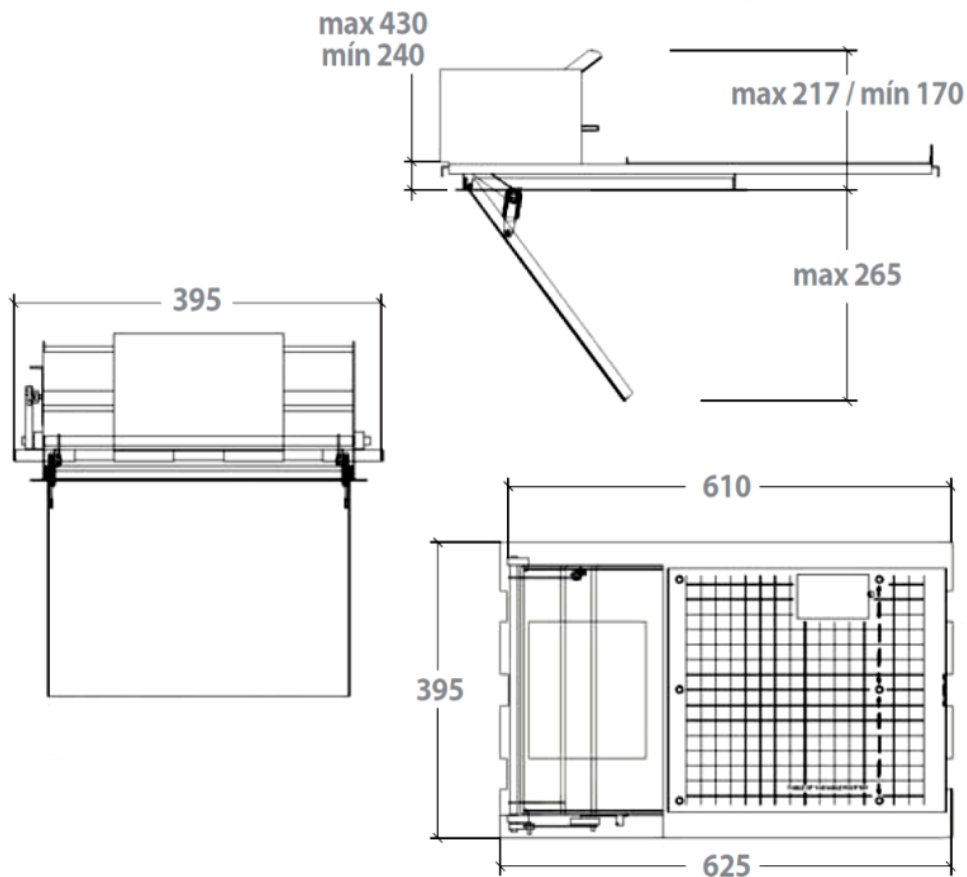
Cinema Mirror, is an optical-active set to be installed in false ceilings hiding the projection equipment and that has an opening and closing of the 335x335 mm hatch, allowing the projection of the image, thanks to its two mirrors, without causing any effect. trapeze. For this, the Cinema Mirror and the screen must be in the same plane or with a difference of 0 to 12 cm max. Now it is possible to control the opening and closing of the mirror separately, so system integrators can know where the device is. There are even more advantages, since the projector remains perfectly protected, against dust, dirt and possible theft; furthermore, the noise from the projector is not transmitted to the audience. We recommend projectors with a throw projection ratio greater than 1.5: 1.

CHARACTERISTICS

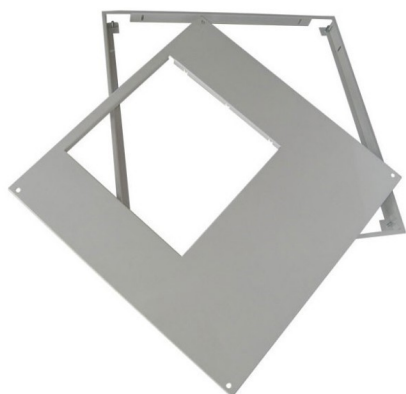
CLOSE SIZE	395 x 210* x 625 mm * the total height depends on the passive mirror setting
OPEN SIZE	395 x 475* x 625 mm * the total height depends on active & passive mirror setting
WEIGHT	8,3 Kg.
PROJECTOR TRAY SIZE	390 x 360 mm + 110 mm L/R
MIRRORS	Fix: 180 x 190 mm Vertical Offset 35 mm Tilt 40°/45° Motorized: 300 x 300 mm Tilt 50°/55°
POWER SUPPLY	240 V A.C / 50Hz
CONSUMPTION	10 W
ON/OFF CONTROL	Twin Switch (not included)
ON/OFF RUN TIME	30"
NOISE	< 20 dB
INCLUDED ACCESSORIES	RF Remote Control Decorative bezel Safety Mount
OPTIONAL ACCESSORIES	HC635EC FINISH FRAME FALSE CEILING TRIGGER-2 SMART CONTROL SYSTEM

HC-37.53ED

TECHNICAL DRAWINGS:



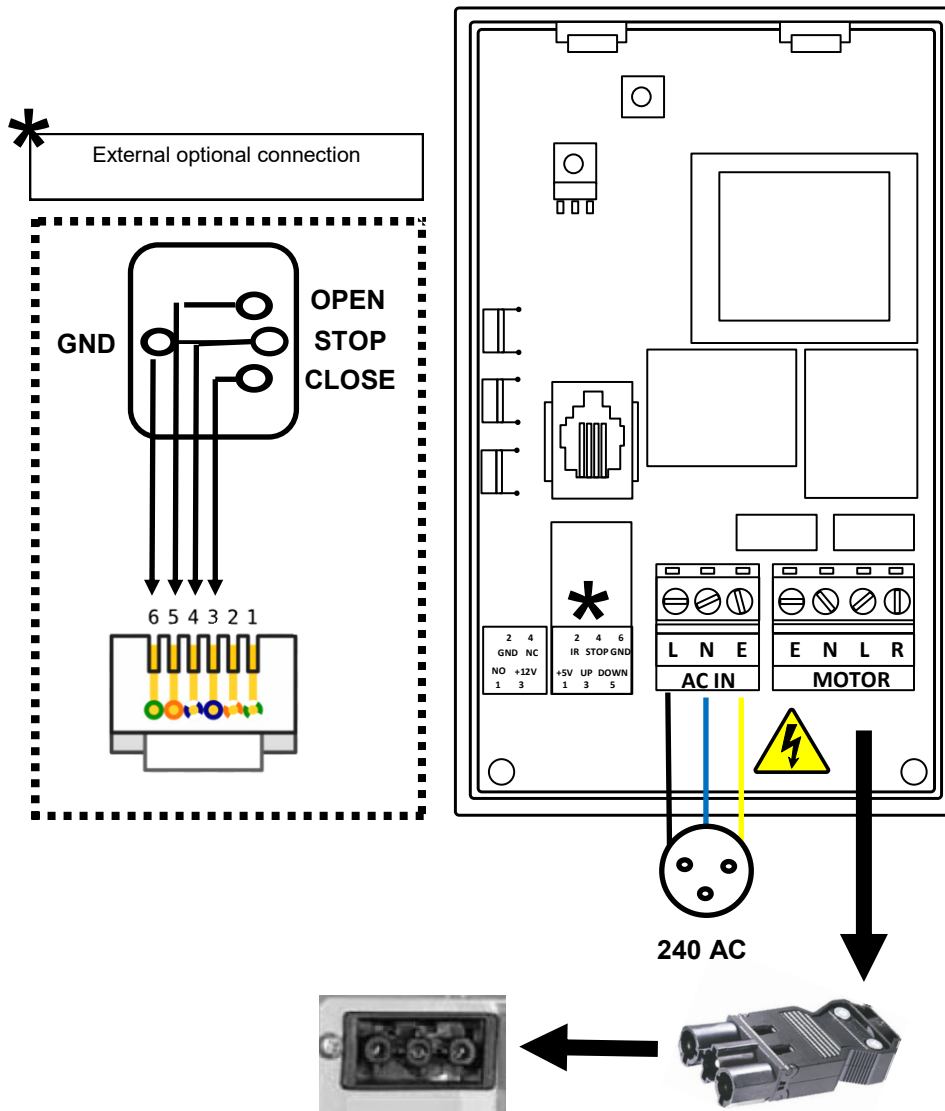
OPTIONAL ACCESORIES:



KIT Marco HC635EC

HC-37.53ED

ELECTRICAL CONNECTIONS:





CONCEALMENT SYSTEMS



VL-PRO ONE PROJECTORS LIFTS

The VL-ONE utilizes three-scissor design to provide lateral and front-to-back stability for the projector. It features a maximum 10 Kg lifting capacity with total extension of 80 cms for show and service to provide ease-of-access for projector maintenance. It requires only a minimal amount of overhead ceiling space for installation (less than 30 cm it depends on the projector size)

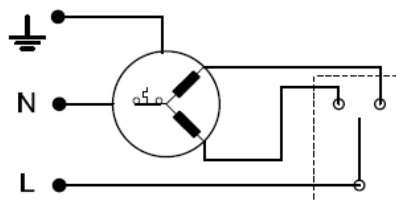
KEY FEATURES:

- Maximum lifting capacity up to 10 kg
- Maximum extension up to 80 cm.
- Can be installed in existing 60 cm x 60 cm ceiling grid.
- Optional ceiling closure panel available in white (VL-BOX01)
- Ceiling finish kit optional (VL-FRAME01).

TECHNICAL DETAILS:

MOTOR	Type: Tubular Model: DM 35S-10 Motor Par: 10 Nm Speed RPM: 17 rpm Thermal protection: 140° C Nº turns end of run: 40 Kind of protection: IP44 Cable wires: 4	DIMENSIONS	Width: 452 mm Height: 433,4 mm Depth: 88 mm Prj., shelf: 398x398 mm Weight: 8,5 Kg
LIFT	Max., travel: 80 cm Travel time: 20 sec Continuous working time: 240 sec. Allowed weight: 10 Kg Noise level: < 40 dB End of run settings: up and down	POWER SUPPLY	Power: 240 V AC—50 Hz Consumption: 121 W max.
INCLUDE ACCESSORIES	Remote control MRF-1RP4 Basic finished ceiling system	HOUSING	Material: Iron alloy + Aluminium Color: White RAL 9010
OPTIONAL ACCESSORIES	VL-FRAME01, advance ceiling closure kit. VL-BOX, Projector Closure TRIGGER2, Smart control system	ENVIRONMENT	Temperature: -10° +50° Celsius Humidity: 5% to 50% RH

ELECTRICAL DIAGRAM:



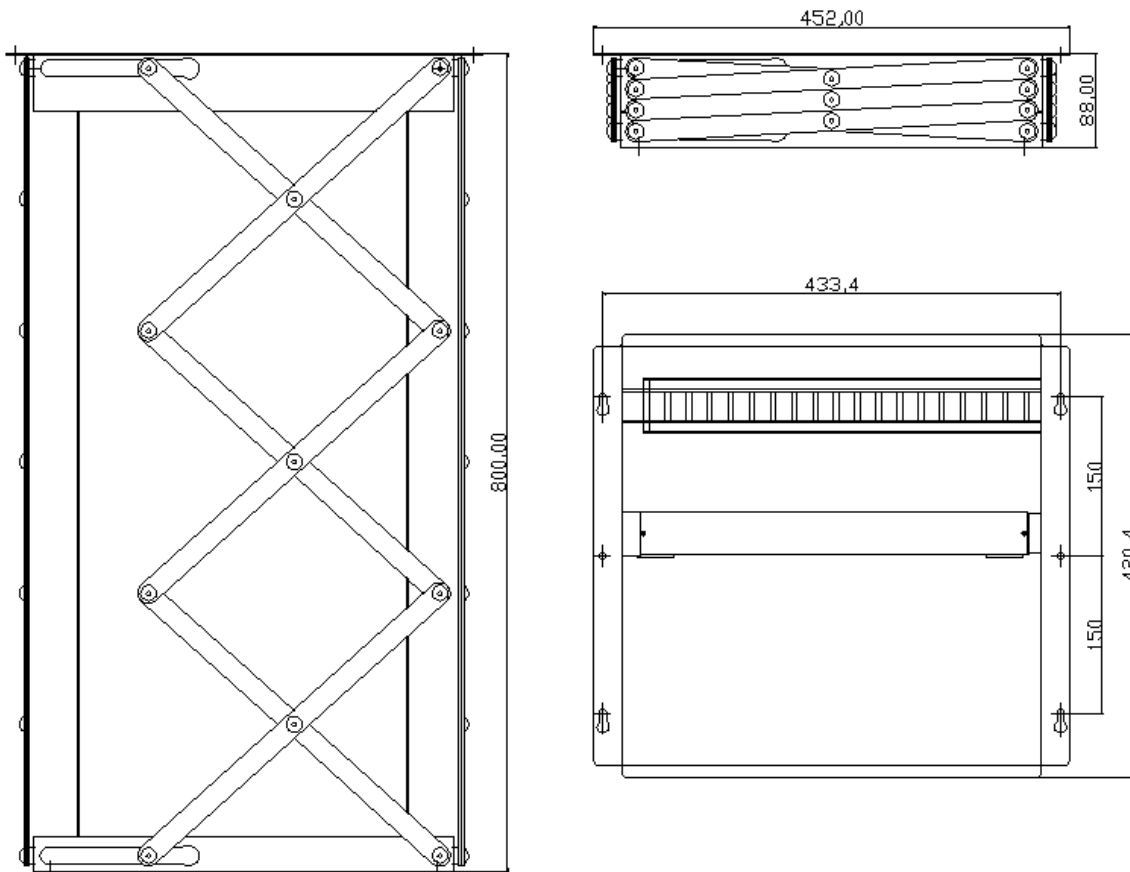


CONCEALMENT SYSTEMS



VL-PRO SERIES PROJECTORS LIFTS

TECHNICAL DRAWINGS:



OPTIONAL ACCESSORIES:



VL-FRAME02



CONCEALMENT SYSTEMS

VL-ONE PROJECTOR LIFTS

The VL-ONE has three-scissor design to provide lateral and front-to-back stability for the projector. It features a maximum 10 Kg lifting capacity with total extension of 80 cms for show and service to provide ease-of-access for projector maintenance. It requires only a minimal amount of overhead ceiling space for installation (less than 30 cm it depends on

CHARACTERISTICS

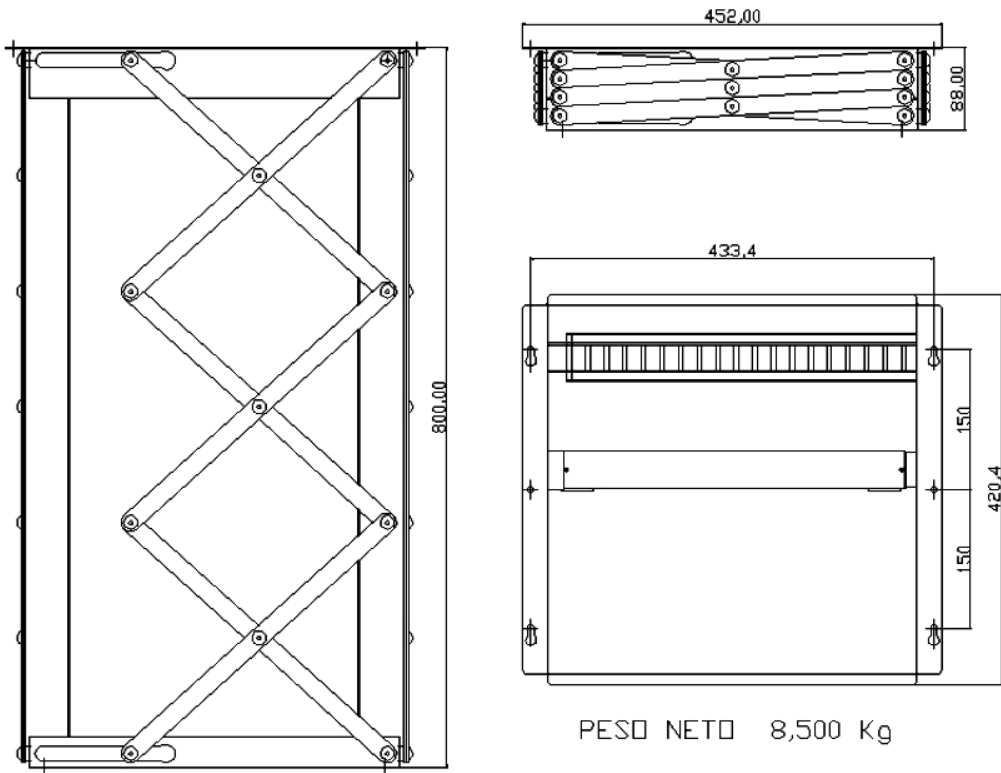
CLOSE SIZE	395 x 210* x 625 mm
OPEN SIZE	395 x 475* x 625 mm
	* the total height depends on active & passive mirror setting
WEIGHT	8,3 Kg.
PROJECTOR TRAY SIZE	390 x 360 mm +110 mm L/R
MIRRORS	Fix: 180 x 190 mm
	Vertical Offset 35 mm
	Tilt 40°/45°
	Motorized: 300 x 300 mm
POWER SUPPLY	240 V A.C / 50Hz
CONSUMPTION	10 W
ON/OFF CONTROL	Twin Switch (not included)
ON/OFF RUN TIME	30"
NOISE	< 20 dB
INCLUDED ACCESSORIES	RF Remote Control
	Decorative bezel
	Safety Mount
OPTIONAL ACCESSORIES	HC635EC FINISH FRAME FALSE CEILING



CONCEALMENT SYSTEMS

VL-ONE

TECHNICAL DRAWINGS



OPTIONAL ACCESSORIES



VL-FRAME01



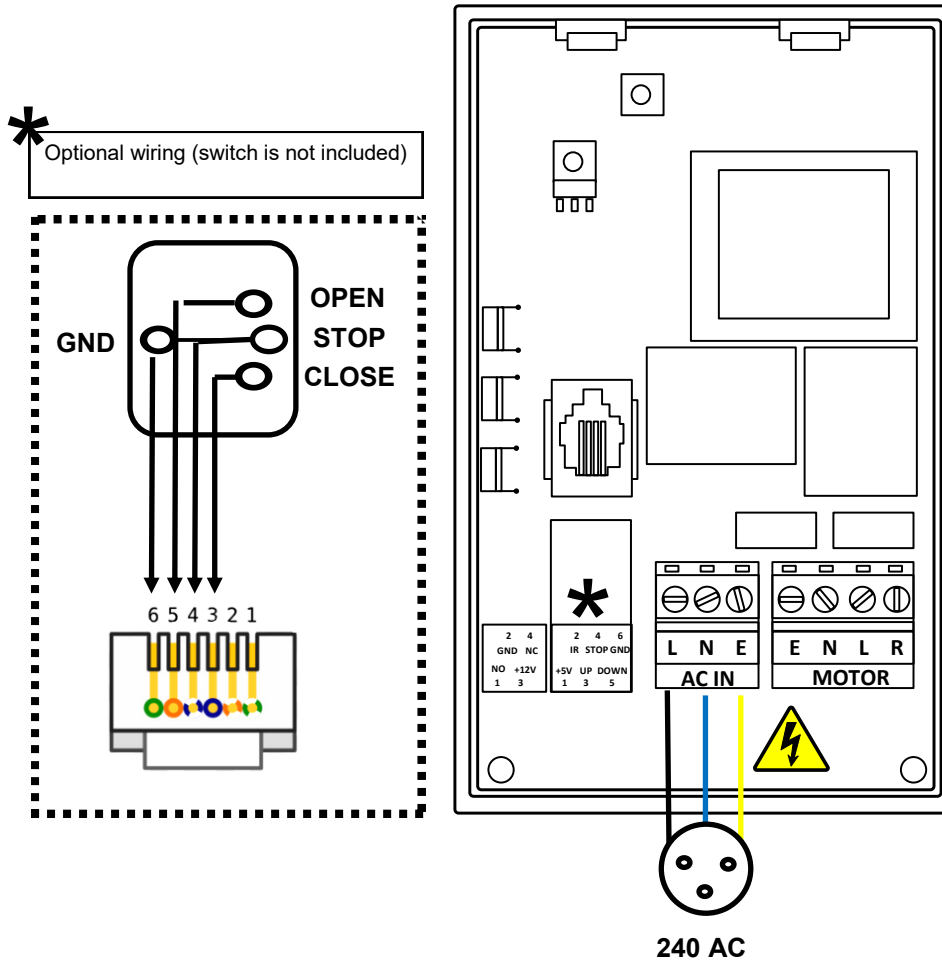
VL-BOX01



CONCEALMENT SYSTEMS

VL-ONE

ELECTRICAL SCHEME

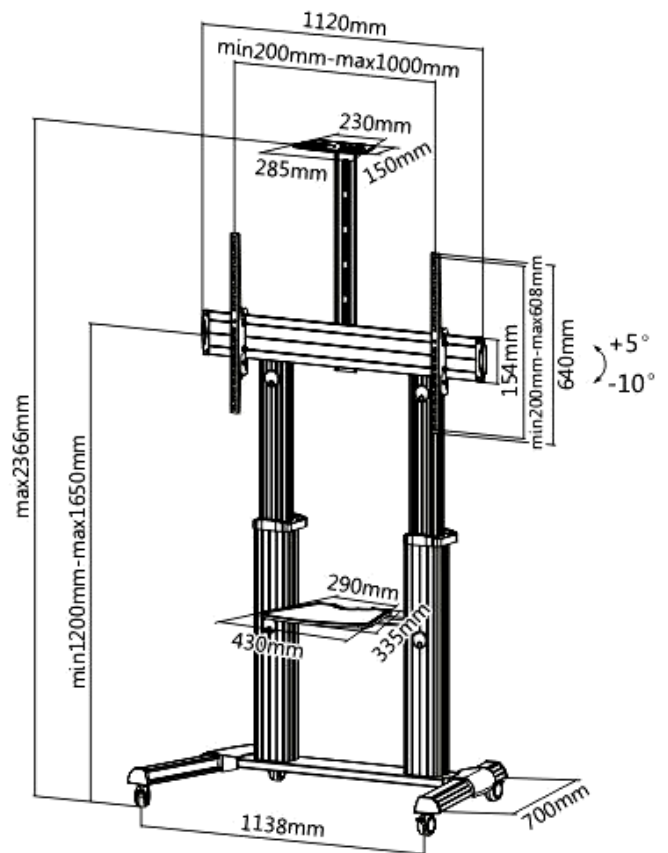




TROLLEY WITH SHELF SPTE-SR170XXL

This ultra-large display TV cart with stylish, technical and functional design to provide solid presentation solution for most 60"-100" LED, LCD flat panel TVs up to 100kg/220lbs. Its flat panel TV brackets vertically allow effortless height adjustment of max. +5°~-10° freely tilting allows easy angle adjustment and reduces glare from lights or windows to obtain the optimal viewing comfort. Solid base provides additional security by removing the possibility of tripped over and ensures reliable performance for years of use. Internal cable management hides wires from view to keep a clutter-free appearance. Ideal for conferencing,

Product Category:	TV Cart
Rank:	Premium
Material:	Steel,Plastic,Aluminum
Metal Sheet Thickness:	Bracket Arm THK=2mm cold-rolled sheet (Bracket Arm THK=0.079" cold-rolled sheet)
Surface Finish:	Sand-blasted Aluminum Anodic Oxidation,Powder Coating
Color:	Matte Black,Fine Texture Grey
Dimensions:	1245x755x1916~2366mm (49"x29.7"x75.4"~93.1")
Column Size(Main Column/ Extension Column):	Main Pole: 850mm,Extension Pole: 785mm (Main Pole: 33.5",Extension Pole: 30.9")
Fit Screen Size:	60"-100"
VESA Compatible:	800x600,600x400,1000x600,400x400 ,200x200,400x200,800x400,300x300
TV Weight Capacity:	100kg (220lbs)
Strength Tested:	3 times approved
Screen Qty:	1
Tilt Range:	+5°~-10°
TV Height Adjustable:	Yes
Shelf Weight Capacity:	5kg (11lbs)
Shelf Height Adjustable:	Yes
Camera Rack Weight Capacity:	5kg (11lbs)
Cable Management:	Yes
Base Type:	Caster
10 Degree Slope Testing:	Yes
Accessory Kit Package :	Compartment Polybag





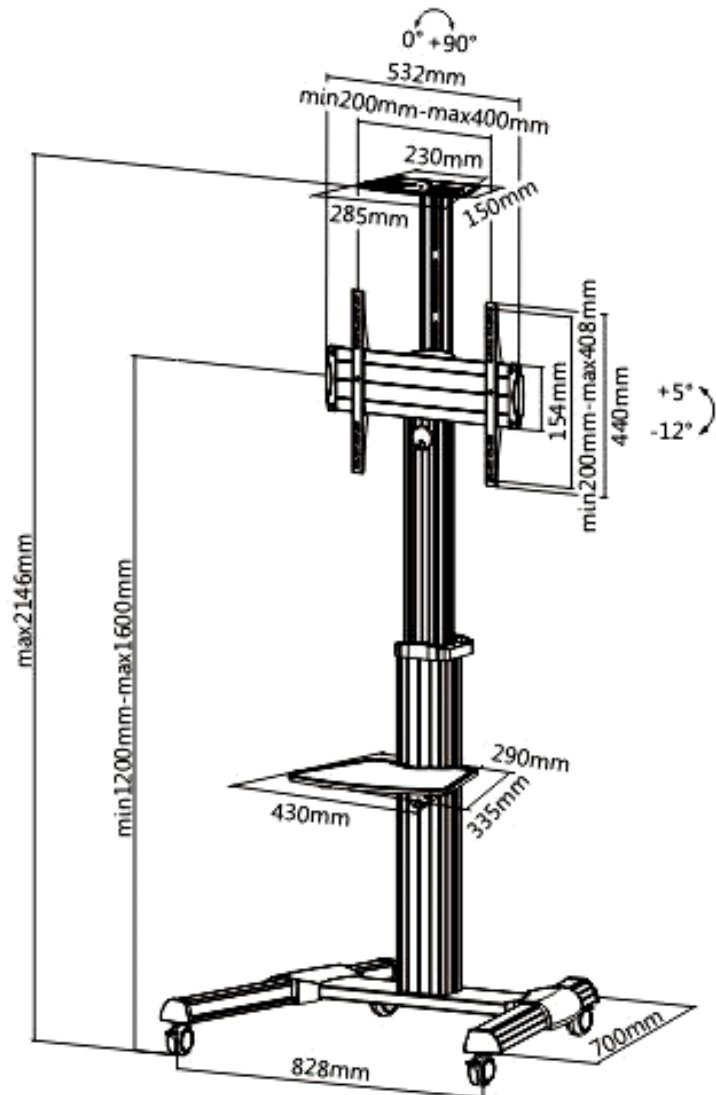
MONITOR MOUNT



TROLLEY WITH SHELF SPTE-SR170LX2

The trolley SPTE-SR170LX2, is compatible with most monitors from 37" to 70". Made of aluminum, it allows both height adjustment with tilting the monitor safely. The maximum permissible weight is 50 kg and the vertical viewing angle is between +5°/-12°. It also has the possibility of hiding the cables through the inner of the pole. Capacity of installation of the monitor in horizontal or vertical, providing an enormous versatility.

Product Category:	TV Cart
Rank:	Premium
Material:	Steel,Plastic,Aluminum
Metal Sheet Thickness:	Bracket Arm THK=2mm cold-rolled sheet (Bracket Arm THK=0.079" cold-rolled sheet)
Surface Finish:	Sand-blasted Aluminum Anodic Oxidation,Powder Coating
Color:	Matte Black,Fine Texture Grey
Dimensions:	828x700x1746~2146mm (32.6"x27.6"x68.7"~84.5")
Column Size(Main Column/ Extension Column):	140x95x1.8x850mm,110x61x1.8x785mm (5.5"x3.7"x0.071"x33.5",4.3"x2.4"x0.071"x30.9")
Fit Screen Size:	32"-70"
VESA Compatible:	600x400,400x400,200x200, 400x200,300x300
TV Weight Capacity:	50kg (110lbs)
Strength Tested:	4 times approved
screen Qty:	1
Tilt Range:	+5°~-12°
Screen Rotation:	0°~+90°
TV Height Adjustable:	Yes
Shelf Weight Capacity:	5kg (11lbs)
Shelf Height Adjustable:	Yes
Camera Rack Weight Capacity:	5kg (11lbs)
Cable Management:	Yes
Base Type:	Caster
10 Degree Slope Testing:	Yes
Accessory Kit Package :	Compartment Polybag





TROLLEY WITH SHELF SPTE-SR170BC

The trolley SPTE-SR170BC, is compatible with main monitors from 37" to 70". Made of black steel, it allows both height adjustment with tilting the monitor safely. The maximum permissible weight is 50 kg and the vertical viewing angle is between +/- 10 °. It also has the possibility of hiding the cables through the inside of the tubes. Capacity of installation of the monitor in horizontal or vertical, providing an enormous versatility.

GENERAL SPECIFICATIONS

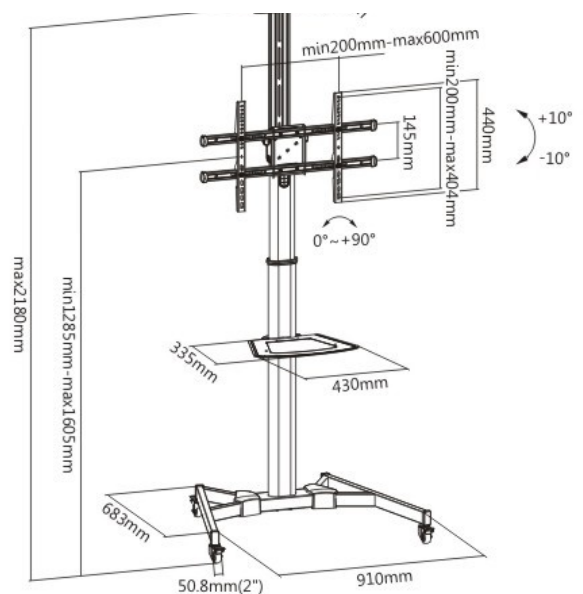
Construction material	Steel and Plastic
Paint Finish	Powder Coating
Color	Color Matt black RAL 9005

FEATURES

Vesa	200x200; 400x200; 300x300;
Max Weight.	50 Kg
Tilt	+10° / -10°
Rotation	0° - + 90°
Adjustable TV Height	Yes
DVD support	Included, Adjustable height, Max. Loading Weight 5 Kg
Camera support	Included
Wheels	X4 Included

DIMENSIONS

Lower Column	Ø60x110x2mm (thick) x 990 mm
Superior Column	Ø50x100x2mm (thick) x 735 mm
Total Dimensions	910x683x2180 mm
Weight	20 Kg





CEYMSA

AUDIOVISUAL ●●●

C/ Luis I, 31-33 • Nave 17
28031 MADRID (ESPAÑA)
T. + 34 91 380 86 60
www.ceymsa.com

CEYMSA