

TABLET HOLDER

Designed for Tablets





Communication is changing

Digitalization is one of the most important drivers of change in global society. Modern communication culture is characterised by flexibility, mobility and dynamism.

Mobile devices such as tablets are becoming our constant companions. They enable dynamic ways of working, presenting and accessing information. There is a need for modern solutions for tablet holders to maximise performance.

With the new TABLET HOLDER series, DURABLE offers a stylish system of flexible high-tech tablet holder solutions.

- 3** Communication is changing
- 4** Inspiring Interiors
- 5** Designed with confidence
- 6** TABLET HOLDER TABLE
Desktop tablet holder
- 10** TABLET HOLDER TABLE CLAMP
Desktop tablet holder with swing arm
- 12** TABLET HOLDER WALL
Wall-mounted tablet holder
- 14** TABLET HOLDER WALL PRO
Wall-mounted tablet holder with arm
- 16** TABLET HOLDER WALL ARM
Wall-mounted tablet holder with swing arm
- 18** TABLET HOLDER FLOOR
Tablet floor stand
- 22** Function and technology

Inspiring Interiors

Architecture and interior design has changed with regard to the workplace with open space offices and the modern culture of meetings and presentations. Aesthetics are now playing an increasingly important part in the design of the workplace.

An attractive environment is motivating for those working within it but also critical is delivering the optimal first impression for visitors and clients. Premium materials and timeless design make TABLET HOLDERS stylish communication companions.



Designed with Confidence

As a leader in the innovation of products for the office, DURABLE is renowned for its forward-thinking solutions for the workplace of today and the future. Combining premium quality materials with award-winning, unique design.

Made in Germany, the new ergonomic TABLET HOLDER range is the high quality and sophisticated design solution for tablets that can be used in a number of applications.





Attractive. Efficient. Flexible.

TABLET HOLDER TABLE



With the TABLET HOLDER TABLE, tablets can be easily integrated into any highly flexible workplace setting. Easy operation and practical high quality design makes this solution a functional tool for the world of digital office workplaces and consulting environments.

With the help of Tablet Holders, information and presentations can become interactive and flexible thus providing excellent support for working and sales processes.

Features:

- For all tablet formats from 7" – 13"
- Rotatable by 360°, can be used in portrait or landscape format
- Flexible tilt angle adjustment
- Non-slip stand
- Multiple anti-theft protection

TABLET HOLDER TABLE

8930 23 silver 1 piece







Space-saving. Ergonomic. Integrated.

TABLET HOLDER TABLE CLAMP



Do you prefer a clean desktop? No problem. TABLET HOLDER TABLE CLAMP is an optimal tool for the well-organised, ergonomic workplace. The high-quality design of this tablet holder solution turns flexible and mobile working into a novel experience.

The extreme space-saving fastening solution of this product allows unrestricted use of the entire desktop. The elegant look harmonises perfectly with modern office interiors.

Features:

- For all tablet formats from 7" – 13"
- Rotatable by 360°, can be used in portrait or landscape format
- Flexible tilt angle adjustment
- Can be fastened to the table top with a clamp
- Anti-theft protection

TABLET HOLDER TABLE CLAMP

8931 23 silver 1 piece



Practical. Safe. Stable.

TABLET HOLDER WALL



With TABLET HOLDER WALL, virtual product and service presentations can be given in a practical, attractive setting for optimal performance.

Stability, safety and style make this wall fixture for tablets a premium quality presentation display at any information point or directly at the point of sale.

Features:

- For all tablet formats from 7" – 13"
- Fastens flat to walls
- Rotatable by 360°, can be used in portrait or landscape format
- Anti-theft protection

TABLET HOLDER WALL

8933 23 silver 1 piece



Interactive. Flexible. Precise.

TABLET HOLDER WALL PRO



The TABLET HOLDER WALL PRO focuses on interactive functionality to help with day to day processes.

Tablets are being used more frequently in manufacturing plants, warehouses and at home to help aid tasks such as data input or information gathering. The angle of the TABLET HOLDER makes it easy and comfortable to perform such tasks when mounted to a wall.

Features:

- For all tablet formats from 7" – 13"
- Rotatable by 360°, can be used in portrait or landscape format
- Flexible tilt angle adjustment
- Anti-theft protection

TABLET HOLDER WALL PRO

8935 23 silver 1 piece



Functional. Simple. Flexible.

TABLET HOLDER WALL ARM



With the TABLET HOLDER WALL ARM, an optimal solution has been created for multiple workplaces, interactive info points and presentations. The high flexibility and mobility of this tablet holder is combined with easy operation and can be adjusted for individual needs.

This product provides the basis for effective action across workplaces and interesting personal engagement and thus opens up new avenues to enhance the flexibility and the quality of consulting.

Features:

- For all tablet formats from 7" – 13"
- Highly flexible adjustable arm
- Rotatable by 360°, can be used in portrait or landscape format
- Flexible tilt angle adjustment
- Anti-theft protection

TABLET HOLDER WALL ARM

8934 23 silver 1 piece



Communicative. Prestigious. Interactive.

TABLET HOLDER FLOOR



Exquisitely designed with optimal functionality, TABLET HOLDER FLOOR is a perfect presentation tool. Premium-quality design, optimal stability and individual adjustment facilities support the attractive presentation of products, information materials and services.

In combination with its flexible tilt angle adjustment, this tablet holder system can be used as a multi-functional communication platform at events such as trade fairs and conferences, at info points and at the point of sale.

A multiple anti-theft protection system ensures a high level of security for the tablet and the floor stand.

Features:

- For all tablet formats from 7" – 13"
- Integrated cable management
- Rotatable by 360°, can be used in portrait or landscape format
- Flexible tilt angle adjustment
- Multiple anti-theft protection

TABLET HOLDER FLOOR

8932 23 silver 1 piece

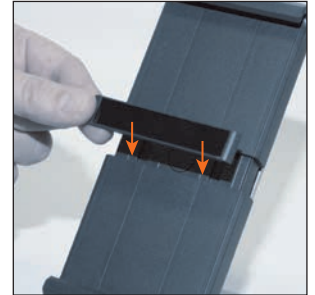




FUNCTION AND TECHNOLOGY

- Variable fit for all tablet sizes from 7" to 13"
- Symmetrical opening of the holder: Dynamic opening dimensions from 160 to 275 mm
- Easy insertion and removal of the tablet
- Rotatable: 360° for portrait and landscape format – with snap-in points at every 90°
- Tablet load capacity: max. 1,000 g
- Cable management: Aperture in the holder serves as charging cable outlet for the tablet

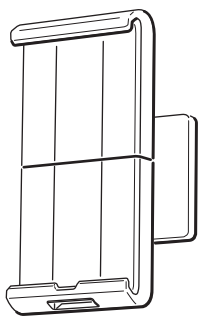
- Anti-theft protection by inserting the dust-free adhesive strip
- Effective protection against lateral removal of the tablet PC



- Locking of the holder with a special key



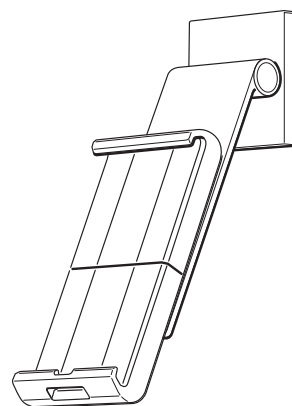
TABLET HOLDER WALL



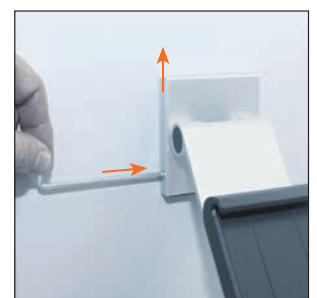
- Materials: Aluminium, ABS
- Dimensions: 85 x 50 x 180 mm (W x H x D)
- Weight: 340 g
- Product # 8933-23



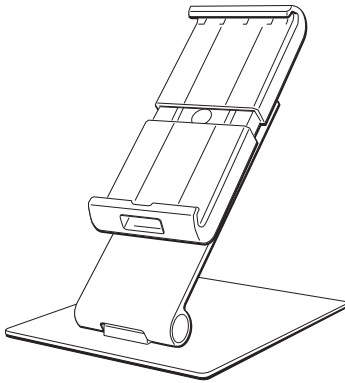
TABLET HOLDER WALL PRO



- Pivoting range 0° to 88°
- Materials: Aluminium, ABS
- Dimensions: 80 x 65 x 270 mm (W x H x D)
- Weight: 545 g
- Product # 8935-23

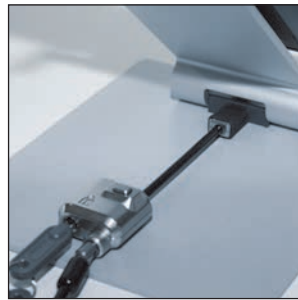


TABLET HOLDER TABLE



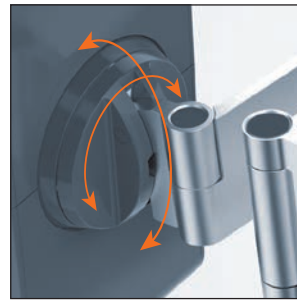
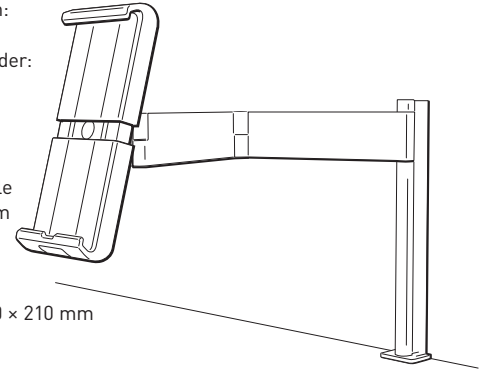
- Flexible tilt angle adjustment of the arm: 0° to 88°
- Additional anti-theft protection via cable lock
- Materials: Sheet steel, aluminium, ABS
- Dimensions: 155 × 242 × 183 mm (W × H × D)
- Weight: 1,150 g
- Product # 8930-23

TABLET HOLDER TABLE is fitted with a locking slot for anti-theft protection, for insertion of a MiniSaver™ cable lock from Kensington®. The cable lock is not included in the delivery. Kensington® is a registered trade mark of the ACCO BRANDS CORPORATION, 60047-8997, Lake Zurich, US.

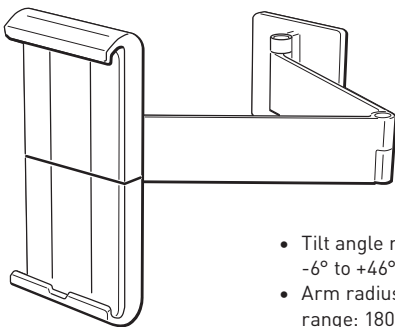


TABLET HOLDER TABLE CLAMP

- Height of table column: 295 mm
- Tilt angle range of holder: -6° to +46°; rotatable: 170°
- Arm radius: 365 mm; swivel range: 180°
- Clamping width of table clamp: for up to 40 mm table top thickness
- Materials: Aluminium, ABS
- Dimensions: 100 × 440 × 210 mm (W × H × D)
- Weight: 1,050 g
- Product # 8931-23



TABLET HOLDER WALL ARM



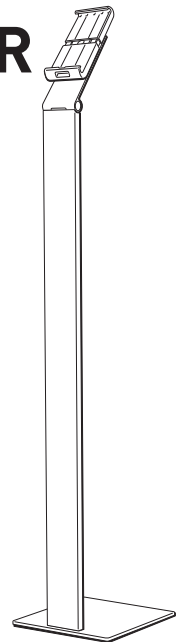
- Tilt angle range of holder: -6° to +46°; rotatable: 170°
- Arm radius: 365 mm; swivel range: 180°
- Materials: Aluminium, ABS
- Dimensions: 95 × 225 × 170 mm (W × H × D)
- Weight: 650 g
- Product # 8934-23



TABLET HOLDER FLOOR

- Flexible tilt angle adjustment: 0° to 88°
- Additional anti-theft protection via cable lock
- Materials: Sheet steel, aluminium, ABS
- Dimensions: 270 × 1215 × 270 mm (W × H × D)
- Weight: 5,100 g
- Cable conduit with cable manager, adjustable across the entire height range
- USB connection cable included in the delivery
- Product # 8932-23

TABLET HOLDER FLOOR comes with a standardised locking slot for insertion of a cable lock for anti-theft protection. The notebook cable lock shown in the picture is not included in the delivery.





DURABLE · Hunke & Jochheim GmbH & Co. KG
Westfalenstraße 77–79 · 58636 Iserlohn
Postfach 1753 · 58634 Iserlohn
T +49 (0)23 71 662-0
F +49 (0)23 71 662-221
durable@ durable.de · durable.de

INTERNATIONAL

DURABLE · Hunke & Jochheim GmbH & Co. KG
Westfalenstraße 77–79 · 58636 Iserlohn
P.O. Box 1753 · 58634 Iserlohn · Germany
P +49 (0)23 71 662-0
F +49 (0)23 71-662-221
durable@ durable.de · durable.eu

FR

DURABLE France S.A.S
Immeuble Le Tryalis · 9, rue de Rosny · 93100 Montreuil
T +33 (0)1 48 12 10 90
F +33 (0)1 48 55 05 09
durable@ durable.fr · durable.fr

NL

DURABLE Nederland B.V.
Monierweg 3 · 7741 KV Coevorden
T +31 (0)416 543 543
F +31 (0)416 543 058
durable@ durable.nl · durable.nl

PL

Biuro Obsługi Klienta DURABLE Polska
Al.Kasztanowa 10 · 72-005 Przewodny
T +48 (0)91 432 40 70
F +48 (0)91 432 40 83
bok@ durable.pl · durable.pl

SE

DURABLE SCANDINAVIA AB
Fågelsångsvägen 4B · 186 42 Vallentuna
Box 4 · 186 21 Vallentuna
T +46 (0)8-630 11 50
info@ durable.se
durable.se

UK

DURABLE (UK) Ltd.
10 Nimrod Way, Wimborne, Dorset, BH21 7SH
P +44 (0)1202 89 70 71
F +44 (0)1202 87 33 81
customeroperations@ durable-uk.com
durable-uk.com

BE

DURABLE Belgium N.V./S.A.
Industriepark 14/101 · 9031 Gent-Drongen
T +32 (0)9 281 26 44
F +32 (0)9 281 26 29
durable@ durable.be · durable.be

IT

DURABLE Italia S.R.L
Via Dottor Pietro Greppi, 15/B · 23824 Dervio (LC)
T +39 (0)341 807 806
F +39 (0)341 807 806
info@ durable.it · durable.it

RU

Представительство компании DURABLE в России
123290, г. Москва,
ул.2-я Магистральная, д.14Г, стр.1, бизнес-центр МЕЛА
Т/Ф +7 (0)495 601 92 13
durable_russia@mail.ru · durable-russia.com

US

DURABLE Office Products Corp.
2475 S. Wolf Road · Des Plaines, IL 60018
P +1 (0)800 273 31 18/847 787 01 00
F +1 (0)847 787 03 11
customerservice@ durableofficeproducts.com
durable-north-america.com