



# Compatibility Guide

SMS Projector Short Throw Wall Manual (AE025005)

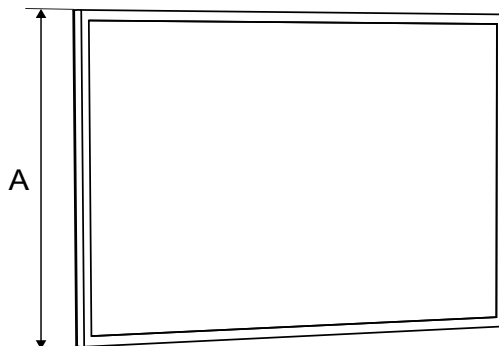
Please follow the steps below to find out if your interactive whiteboard and projector fits the SMS Projector Short Throw Wall Manual AE025005.

1

**What is the height of your interactive board?**

Please see specification from board manufacturer.

A = \_\_\_\_\_ min = 1170 mm, max = 1500 mm.

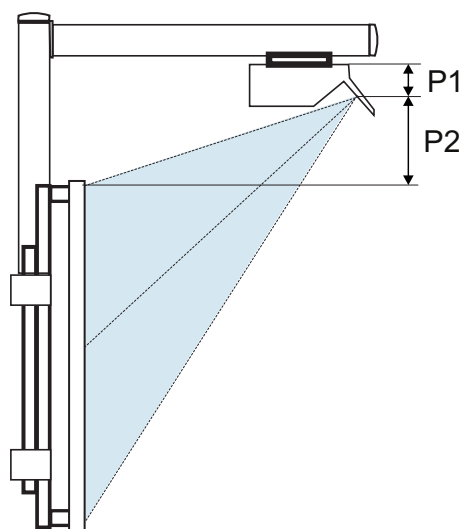


2

**What is the distance from the top of projector to the projector lens?**

Please see specification from projector manufacturer.

P1 = \_\_\_\_\_



3

**What is the vertical projection distance of your projector?**

Please see specification from projector manufacturer.

P2 = \_\_\_\_\_

4

**Calculate B = P1 + P2**

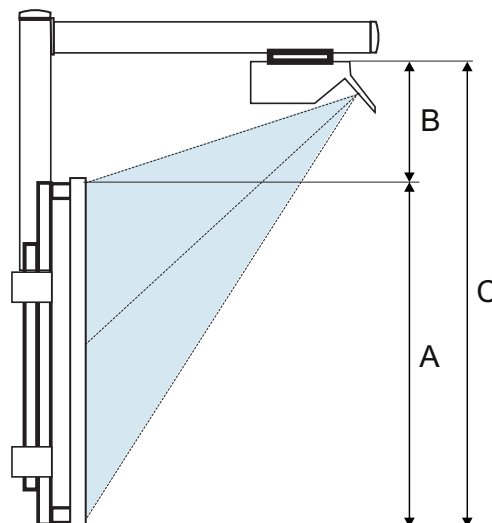
B = \_\_\_\_\_ min = 0 mm, max = 360 mm

5

**Calculate C = A + B**

C = \_\_\_\_\_ min = 1170 mm, max = 1700 mm

Please see specification from board manufacturer. If C is a measurement between 1170 mm and 1700 mm then the combination is compatible in size with SMS Projector Short Throw Wall Manual (AE025005).



**Please also take into consideration:**

- Maximum board depth: 90 mm
- Maximum load total (board + projector): 40 kg

**N.B.:** Maximum load, total, refers to the weight which the stand a whole can bear, i.e. the combined weight of the projector and interactive board. This document serves as guidelines only. Results may differ  $\pm$  5%.