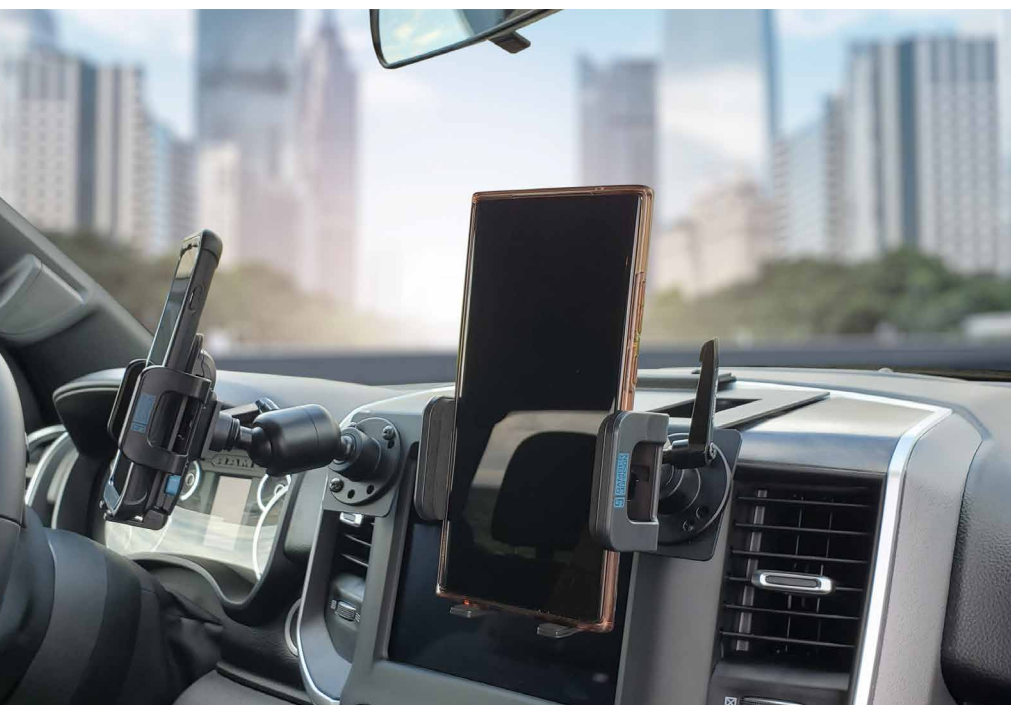




# ENTERPRISE PRODUCT CATALOG



**RUGGED. RELIABLE. RESPONSIVE.™**

# TABLE OF CONTENTS

ABOUT GAMBER-JOHNSON	3
FAQS	4
CRADLES AND DOCKING STATIONS	6
CONSOLE SYSTEMS	82
MOBILE WORKSTATIONS	90
PEDESTAL SYSTEMS	98
MOTION ATTACHMENTS	114
ZIRKONA MOUNTS	128
ACCESSORIES	146
WARRANTY	166



**GAMBER** JOHNSON<sup>®</sup> companies



Gamber-Johnson is a global name known for providing industry-leading mounting solutions to support many, diverse industries, most notably the public sector, material handling, logistics, and enterprise. The GJ portfolio of product offerings has grown with strategic additions to our family of brands to support a broader offering.



From humble beginnings as a local wooden furniture manufacturer in Stevens Point, Wisconsin, Gamber-Johnson has developed into the **global go-to partner for equipment mounting products.**

This evolution from producing furniture in 1954 to becoming a 21st-century world leader in mounting equipment for electronics was a natural progression, fostered by a company culture of innovation and continuous improvement.

Today, Gamber-Johnson is still proudly “made in Wisconsin” and manufactures mounting components and systems for laptop and tablet computers, radios, light and siren controls, surveillance cameras, point-of-use kiosks, printers, keyboards and other devices — all meticulously designed to be rugged, reliable, and responsive.

Partnering with major technology manufacturers such as Dell, Getac, Panasonic, Samsung, and Zebra is key to this success. Gamber-Johnson is a trusted name in the industry; long known as the go-to partner for major rugged computer OEMs. With more than 25 patents and counting, the company continues to evolve, creating numerous jobs and meaningful opportunities for community stewardship.

As a pioneer in design innovation — receiving numerous awards and accolades as an industry leader — Gamber-Johnson has been the preferred choice of fleet managers for decades. Gamber-Johnson is a worldwide corporation with subsidiaries around the globe, including Precision Mounting Technologies (PMT) in Calgary. Currently, the company exports to more than 45 countries, with installations in thousands of fleets worldwide. Heroes in police, fire and emergency medical services rely on Gamber products every day in order to better protect and serve.

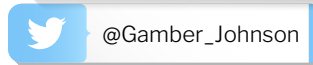
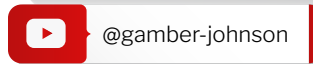
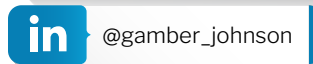
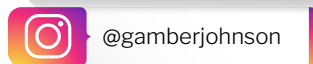
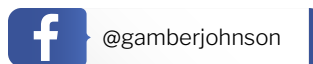
For these significant contributions to vital industries on a global scale, Gamber-Johnson has received numer-

ous accolades. These include the 2019 Wisconsin Manufacturer of the Year Award, in the Medium Category recognizing the company’s commitment to business excellence which makes a positive impact on the state of Wisconsin; the President’s “E” and “E” Star Awards, recognizing outstanding contributions and growth to U.S. exports; Wisconsin Governor’s Export Achievement Award, which honors the company’s work in furthering Wisconsin’s global economy; and the Cygnus Innovation Award, acknowledging that the company is at the cutting edge of emerging technologies. Gamber-Johnson has been nominated as Wisconsin Manufacturer of the Year eight times and also received the J.P. Leggett Innovator Award from Leggett & Platt, in addition to being named a “Workplace of Distinction” by Corporate Report Wisconsin.

Gamber-Johnson’s dedication to producing products that are rugged, reliable, and responsive is unparalleled. The Gamber- Johnson name has become synonymous with high quality, rugged products that can withstand even the most extreme situations. These products are guaranteed and reliable, hand tested for perfect performance every single time. With a strong focus on customer service, the Gamber-Johnson brand is responsive: offering custom-designed solutions, lightning-fast production and shipping, and working directly with technology partners to ensure the optimum fit, every time.

From the company’s local origins to its modern-day global impact, Gamber-Johnson has continued pursuing its mission — supporting our heroes and saving the world through a laser-like focus on innovation

## FOLLOW US FOR UPDATES AND NEWS



*Looking for product training and knowledge;*

**CHECK OUT GAMBER-GUIDES!**

**HASHTAG:**

#gamberjohnson #ruggedreliableRESPONSIVE #gamberpride

# MOUNTING SOLUTIONS FOR EVERY ENTERPRISE VEHICLE

Secure your tablets and equipment with our superior mounting solutions, for ultimate peace of mind. We offer a wide range of turnkey solutions that are configurable for your enterprise vehicle's specific make and model. Our ergonomic solutions enhance driver efficiency, reduce installation time, speed up operations, and improve overall workplace safety. To narrow down the best solution for your fleet begin by asking yourself these four important questions:



**01**

## **WHAT DEVICE IS BEING MOUNTED?**

Identifying your device ensures that you get the correct dock or cradle to support your specific need and desired connectivity.

**02**

## **WHAT MODEL VEHICLE IS THE DEVICE BEING MOUNTED TO?**

Knowing the make and model of your vehicle will allow us to recommend the best location and corresponding product needed to mount your device.

**03**

## **DO YOU WANT A PEDESTAL OR CONSOLE SYSTEM?**

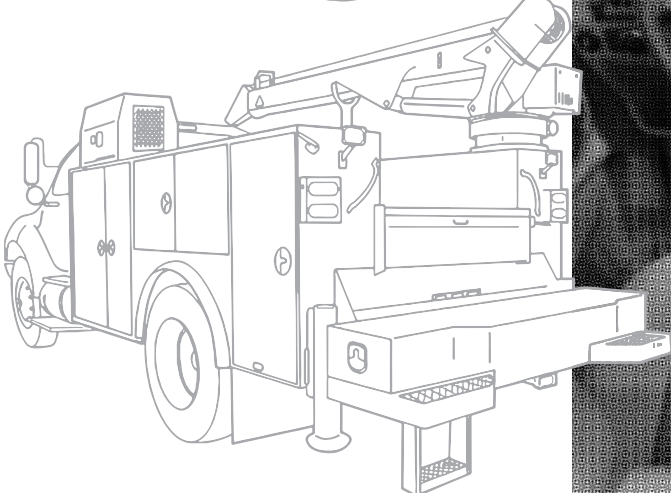
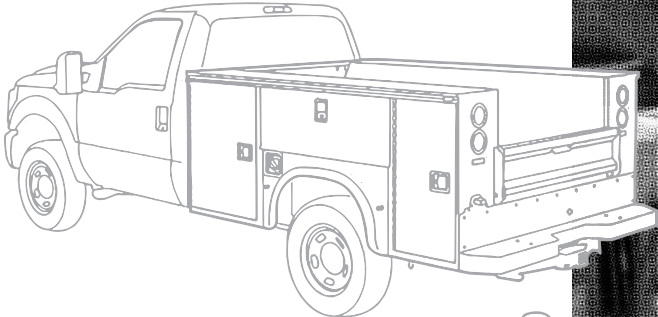
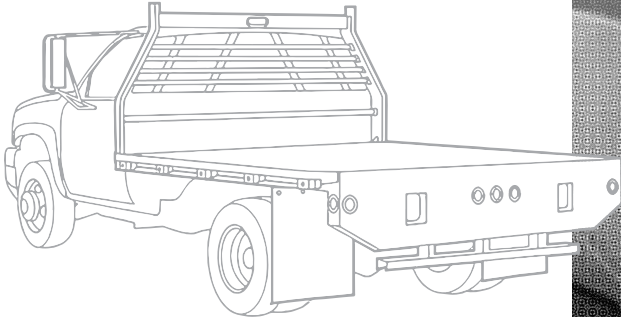
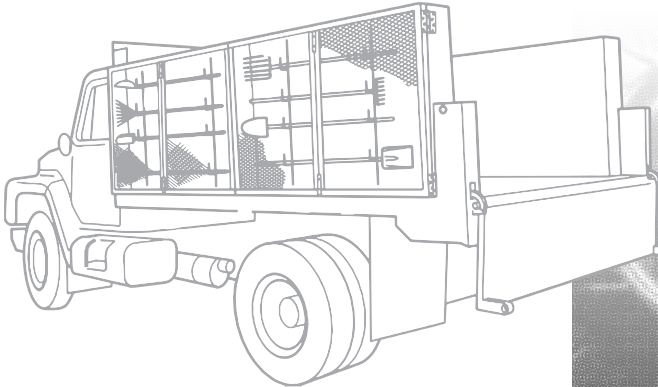
Knowing how much vehicle space you have and what equipment needs to be mounted helps determine which system is best for you. Pedestal systems save space in a vehicle and work great in vans and trucks with a small console area. Console systems are designed for vehicles that need to mount multiple radios and equipment within easy reach of the driver.

**04**

## **WHAT ACCESSORIES ARE BEING MOUNTED?**

Understanding your accessory needs will allow us to build the best enterprise solution for your team.

# START - TO - FINISH VEHICLE SOLUTIONS





# CRADLES & DOCKING STATIONS

**MOUNTING SOLUTIONS AS RUGGED AS YOUR DEVICE**

---

Find the perfect solution in the form of a docking station, which replicates the computer's ports for full peripheral access, or a cradle that offers the utmost stability for crucial assets. Gamber-Johnson offers a large assortment of docking stations and cradles that support computers from the most trusted rugged manufacturers in the market including: Dell, Getac, Panasonic, Samsung, Zebra, and more.



**1** ACCESS CAMERA ON PHONE



**2** LOCATE AND SCAN QR CODE



**3** CLICK LINK PROVIDED BY QR SCAN

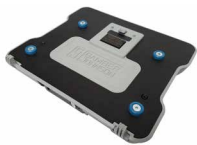


**4** VIEW OUR PRODUCTS ONLINE



**DELL LATITUDE RUGGED LAPTOP DOCKING STATION**

(Fits Latitude 14 Rugged/Rugged Extreme and Latitude 12 Rugged Extreme Convertible Laptop)



7160-0882-00



7160-0882-00

ITEM NO.	ANTENNA PASS-THROUGH	POWER SUPPLY	WEIGHT	HEIGHT	WIDTH	ADJUSTIBLE DEPTH
<b>7160-0882-00</b>	No	<b>No</b> - Use LIND Power Supply (7300-0468)	5.6 lbs 2.5 kg	2.4" 6.0 cm	12.1" 30.8 cm	10.4" - 12.1" 26.4 cm - 30.7cm
<b>7160-0882-03</b>	Triple RF (TNC)	<b>No</b> - Use LIND Power Supply (7300-0468)	5.6 lbs 2.5 kg	2.4" 6.0 cm	12.1" 30.8 cm	10.4" - 12.1" 26.4 cm - 30.7cm
<b>7170-0551-00</b>	No	<b>Yes</b> - Includes LIND Auto Power Supply	5.6 lbs 2.5 kg	2.4" 6.0 cm	12.1" 30.8 cm	10.4" - 12.1" 26.4 cm - 30.7cm
<b>7170-0551-03</b>	Triple RF (TNC)	<b>Yes</b> - Includes LIND Auto Power Supply	5.6 lbs 2.5 kg	2.4" 6.0 cm	12.1" 30.8 cm	10.4" - 12.1" 26.4 cm - 30.7cm

**FEATURES**

- Compatible with the Dell Latitude 14 Rugged/Rugged Extreme and Latitude 12 Rugged Extreme Convertible Laptop
- Gamber-Johnson rugged construction and reliability
- Composite design for reduced weight and durability
- Designed with rounded edges to enhance personal safety
- Front-facing USB 2.0 and microphone/AUX ports
- Rear-facing I/O ports, integrated cable strain relief system, and convenient cable management system
- Floating docking connector with alignment tabs – perfectly align the computer with the docking station for a reliable docking connection
- Internal/protected circuit board protects against dirt and dust
- Small footprint - designed to maximize available space inside of vehicle
- Front adjustable mounting brackets; adjust to fit the Latitude 14 Rugged/Rugged Extreme and Latitude 12 Rugged Extreme Convertible Laptop
- Front-facing latch with keyed lock for theft deterrence:
  - Push the latch to open the docking station
  - Insert computer and push latch closed to dock the computer
- VESA 75 mm mounting pattern
- Optional Tri RF (WWAN,WLAN, GPS) TNC
- MIL-STD 810G shock/vibration, RoHS, FCC, CE, and SAE J1455 crash certifications
- 3-Year Limited Warranty

**PORT REPLICATORS**

- Serial (2) D-Sub 9 Pin
- Ethernet (1) RJ45
- USB 3.0 (2) 9 Pin
- VGA (1) D-Sub 15 Pin
- HDMI (1) 19 Pin
- RF pass-through (optional) TNC
- Power supply input DC



**DELL LATITUDE RUGGED LAPTOP CRADLE**

(Fits Latitude 14 Rugged/Rugged Extreme and Latitude 12 Rugged Extreme Convertible Laptop)



7160-0883-00

ITEM NO.	ANTENNA PASS-THROUGH	POWER SUPPLY	WEIGHT	HEIGHT	WIDTH	ADJUSTIBLE DEPTH
<b>7160-0883-00</b>	No	<b>No</b> - Use LIND Power Supply (7300-0468)	5.6 lbs 2.5 kg	2.4" 6.0 cm	12.1" 30.8 cm	10.4" - 12.1" 26.4 cm - 30.7 cm
<b>7160-0883-03</b>	Triple RF (TNC)	<b>No</b> - Use LIND Power Supply (7300-0468)	5.6 lbs 2.5 kg	2.4" 6.0 cm	12.1" 30.8 cm	10.4" - 12.1" 26.4 cm - 30.7 cm

**FEATURES**

- Compatible with the Dell Latitude 14 Rugged/Rugged Extreme and Latitude 12 Rugged Extreme Convertible Laptop
- Rugged composite/steel construction with black powder coat finish for long-term durability
- Designed with rounded edges to enhance personal safety
- Small footprint to maximize available space inside of vehicle
- Front adjustable mounting brackets; adjust to fit the Latitude 14 Rugged/Rugged Extreme and Latitude 12 Rugged Extreme Convertible Laptop
- Front-facing latch with keyed lock for theft deterrence:
  - Push the latch to open the docking station
  - Insert computer and push latch closed to dock the computer
- VESA 75 mm mounting pattern
- MIL-STD 810G shock/vibration, RoHS, FCC, CE, and SAE J1455 crash certifications
- 3-Year Limited Warranty



**DELL LATITUDE 12 RUGGED TABLET DOCKING STATION**

ITEM NO.	ANTENNA PASS-THROUGH	POWER SUPPLY	WEIGHT	HEIGHT	WIDTH	DEPTH
7160-0840-00	No	<b>No</b> - Use LIND Power Supply (7300-0469)	3.6 lbs 1.6 kg	10.4" 26.4 cm	13.0" 33.0 cm	2.9" 7.4 cm
7160-0840-02	Dual RF	<b>No</b> - Use LIND Power Supply (7300-0469)	3.6 lbs 1.6 kg	10.4" 26.4 cm	13.0" 33.0 cm	2.9" 7.4 cm
7170-0552-00	No	<b>Yes</b> - Includes LIND Auto Power Supply	3.6 lbs 1.6 kg	10.4" 26.4 cm	13.0" 33.0 cm	2.9" 7.4 cm
7170-0552-02	Dual RF	<b>Yes</b> - Includes LIND Auto Power Supply	3.6 lbs 1.6 kg	10.4" 26.4 cm	13.0" 33.0 cm	2.9" 7.4 cm



7160-0840-02

**FEATURES**

- Compatible with the Dell Latitude 12 Rugged tablet
- Gamber-Johnson rugged construction and reliability
- Composite design for reduced weight and durability
- Designed with rounded edges to enhance personal safety
- Front-facing USB 2.0 and microphone/AUX ports
- Use the tablet stylus and card reader/scanner while the tablet is docked
- The stylus cord, even when placed between the dock and tablet, won't interfere with the tablet's connectivity when docked
- Upward-facing I/O ports, integrated cable strain relief system, and convenient cable management system
- Keyed lock for theft deterrence
- Optional Dual RF antenna pass-through
- VESA 75 mm mounting pattern
- MIL-STD 810G shock/vibration, RoHS, FCC, CE, E-Mark and SAE J1455 crash certifications
- 3-Year Limited Warranty

**PORT REPLICATOR**

- Serial (2) D-Sub 9 Pin
- Ethernet (1) RJ45
- USB 3.0 (2) 9 Pin
- VGA (1) D-Sub 15 Pin
- HDMI (1) 19 Pin
- RF pass-through (optional) TNC
- Power supply input DC



**DELL LATITUDE 12 RUGGED TABLET CRADLE**

ITEM NO.	ANTENNA PASS-THROUGH	POWER SUPPLY	WEIGHT	HEIGHT	WIDTH	DEPTH
7160-0881-00	No	<b>No</b> - Use LIND Power Supply (7300-0469)	3.6 lbs 1.6 kg	10.4" 26.4 cm	13.0" 33.0 cm	2.9" 7.4 cm

**FEATURES**

- Compatible with the Dell Latitude 12 Rugged tablet
- Steel and composite design for reduced weight and long-term durability
- Designed with rounded edges to enhance personal safety
- Use the tablet stylus and card reader/scanner while the tablet is cradled
- Keyed lock for theft deterrence
- VESA 75 mm mounting pattern
- MIL-STD 810G shock/vibration, RoHS, FCC, CE, E-Mark and SAE J1455 crash certifications
- 3-Year Limited Warranty



7160-0881-00

**DELL LATITUDE 12 CRADLE AND DOCKING STATION ACCESSORIES**

ITEM NO.	DESCRIPTION	PLACEMENT	WEIGHT	HEIGHT	WIDTH	DEPTH
7300-0468	External 90W LIND Auto Cigarette Power Adapter	For use with Dell Latitude Rugged Laptop	1.2 lbs 0.5 kg	1.2" 3.0 cm	5.0" 12.7 cm	3.0" 7.6 cm
7300-0469	External 90W LIND Auto Cigarette Power Adapter	For use with Dell 12 Rugged Tablet	1.2 lbs 0.5 kg	1.2" 3.0 cm	5.0" 12.7 cm	3.0" 7.6 cm
7160-0975	Protective Tablet Cover	For use with Dell Latitude Tablet Docking Station and Cradle		10.0" 25.4 cm	13.5" 34.3 cm	3.5" 8.89 cm
7110-1213	Dell Latitude Rugged Laptop Docking Station Screen Support	Position on the right or left rear corner of the docking station	0.4 lbs. 0.2 kg	7.25" 18.4 cm	3.5" 8.9 cm	2.1" 5.4 cm
7110-1391	Retrofit Pocket Kit for the Dell Latitude Rugged Laptop	For use with Dell Latitude Rugged Laptop Docking Station Rev A-O to accommodate the Dell Latitude 14 Rugged (Model 5430) and 14 Rugged Extreme (Model 7330) computers	0.2 lbs 0.09 kg	2.5" 6.4 cm	0.75" 1.9 cm	0.5" 1.3 cm
7110-1385	Retrofit Hook Kit for the Dell Latitude Rugged Laptop Docking Station	For use with Dell Latitude Rugged Laptop in Docking Station Rev A-O for compatibility with the Dell Latitude 14 Rugged (Model 5430) and 14 Rugged Extreme (Model 7330) computers	0.5 lbs 0.2kg	3.4" 8.6 cm	2.5" 6.4 cm	1.0" 2.45 cm



7160-0975



7110-1391



7160-1247-00

**GETAC A140 CRADLE**

ITEM NO.	ANTENNA PASS-THROUGH	POWER SUPPLY	WEIGHT	HEIGHT	WIDTH	DEPTH
7160-1247-00	No RF	No - Use Getac External Power Supply (7300-0471)	3.85 lbs 1.74 kg	12.59" 31.9 cm	15.18" 38.5 cm	3.31" 8.4 cm
7160-1247-03	Triple RF	No - Use Getac External Power Supply (7300-0471)	3.85 lbs 1.74 kg	12.59" 31.9 cm	15.18" 38.5 cm	3.31" 8.4 cm

**FEATURES**

- Designed for the Getac A140 tablet computer
- Getac certified
- Cradle accommodates rotating hand strap (sold separately)
- Designed with rounded edges to enhance personal safety
- Composite/aluminum design for reduced weight and durability
- Access to all tablet control buttons and ports while tablet is cradled
- Optional lock (keyed alike) for theft deterrence
- Easy to use one-handed operation:
  - Insert bottom of computer into the cradle, push top of computer against latch lever until latch engages
  - To remove, push up on latch-button with thumb to disengage and pull computer out of the cradle
- VESA 75 mm mounting pattern
- MIL-STD 810G shock/vibration, RoHS, FCC, and SAE J1455 crash certifications
- 3-Year Limited Warranty



7160-1246-03

**GETAC A140 TABLET DOCKING STATION**

ITEM NO.	ANTENNA PASS-THROUGH	POWER SUPPLY	WEIGHT	HEIGHT	WIDTH	DEPTH
7160-1246-00	No RF	No - Use Getac External Power Supply (7300-0471)	3.85 lbs 1.74 kg	12.59" 31.9 cm	15.18" 38.5 cm	3.31" 8.4 cm
7160-1246-03	Triple RF	No - Use Getac External Power Supply (7300-0471)	3.85 lbs 1.74 kg	12.59" 31.9 cm	15.18" 38.5 cm	3.31" 8.4 cm
7170-0695-00	No RF	Yes - Includes Getac External Power Supply	4.55 lbs 2.06 kg	12.59" 31.9 cm	15.18" 38.5 cm	3.31" 8.4 cm
7170-0695-03	Triple RF	Yes - Includes Getac External Power Supply	4.55 lbs 2.06 kg	12.59" 31.9 cm	15.1" 38.5 cm	3.3" 8.4 cm

**FEATURES**

- Designed for the Getac A140 tablet computer
- Getac certified utilizing Getac certified electronics
- Docking station design accommodates rotating hand strap (sold separately)
- Designed with rounded edges to enhance personal safety
- Composite/aluminum design for reduced weight and durability
- Access to all tablet control buttons and ports while tablet is docked
- Upward-facing I/O ports; integrated cable strain relief and cable management system
- Floating docking connector for reliable connectivity in the most rugged environments
- Keyed-alike lock for theft deterrence
- Easy to use one-handed operation:
  - Insert bottom of computer into the docking station, push top of computer against latch lever until latch engages
  - To remove, push up on latch-button with thumb to disengage and pull computer out of the docking station
- VESA 75 mm mounting pattern
- MIL-STD 810G shock/vibration, RoHS, FCC, and SAE J1455 crash certifications
- 3-Year Limited Warranty

**Port Replicator**

- Getac certified electronics
- Ethernet (1) RJ45
- Serial (1) D-Sub 9 Pin
- USB 2.0 (3) 4 Pin
- USB 3.0 (1) 9 Pin
- VGA (1) D-Sub 9 Pin
- HDMI (1) 19 Pin
- Headphones/Speakers Stereo phone jack
- Microphone Mono phone jack
- RF Pass Through (optional) SMA
- Power Input: 19VDC

**GETAC A140 DOCKING STATION AND CRADLE ACCESSORIES**



7300-0471

ITEM NO.	DESCRIPTION	PLACEMENT	WEIGHT	HEIGHT	WIDTH	DEPTH
7300-0471	Getac 120W Auto Power Adapter, 12-32VDC Input	Use with Getac S410, K120, A140, UX10, and B360 docking stations and cradles	.7 lbs .31 kg	1.2" 3.0 cm	2.6" 6.3 cm	5.1" 12.9 cm
7160-0539	LIND Power Supply Mount	Attaches a LIND power supply between a docking station/cradle and the motion attachment	1.5 lbs .68 kg	5.0" 12.7 cm	10.0" 25.4 cm	1.3" 3.3 cm

**GETAC B360 LAPTOP CRADLE**

ITEM NO.	DESCRIPTION	POWER SUPPLY	WEIGHT	HEIGHT	WIDTH	DEPTH
7160-1432-00	Getac B360 Laptop Vehicle Cradle (No RF)	No - Use Getac Power Adapter (7300-0471)	4.65 lbs 2.11 kg	2.25" 5.72 cm	14" 35.56 cm	11.5" 29.21 cm
7160-1432-03	Getac B360 Laptop Vehicle Cradle (Tri RF)	No - Use Getac Power Adapter (7300-0471)	4.65 lbs 2.11 kg	2.25" 5.72 cm	14" 35.56 cm	11.5" 29.21 cm
7170-0795-00	<b>Kit Includes:</b> Getac B360 Laptop Vehicle Cradle (No RF), Getac Automotive Power Adapter	Yes - Includes Getac Auto Power Adapter	5.35 lbs 2.42 kg	2.25" 5.72 cm	14" 35.56 cm	11.5" 29.21 cm
7170-0795-03	<b>Kit Includes:</b> Getac B360 Laptop Vehicle Cradle (Tri RF), Getac Automotive Power Adapter	Yes - Includes Getac Auto Power Adapter	5.35 lbs 2.42 kg	2.25" 5.72 cm	14" 35.56 cm	11.5" 29.21 cm



7160-1432-03

**FEATURES**

- Designed for the Getac B360 and B360 Pro laptop computers
- Front corner release latch, easily remove the computer by activating the latch
- Access to all computer control buttons and ports while the computer is docked
- Screen support for additional stability (included)
- Available with Tri RF antenna pass-through or No RF. Also available bundled with an automotive power adapter.
- Keyed lock for theft deterrence
- Designed with rounded edges to enhance personal safety
- Composite/steel design for reduced weight and durability
- Easy docking and release:
  - To dock: Align front brackets on dock with pockets on front of computer, slowly rotate back of the computer onto cradle, push down on back of computer until audible click is heard. Computer is cradled.
  - To release: Disengage lock. Push blue release button and rotate back of computer up and pull front of computer away from the cradle.
- VESA 75 mm mounting pattern
- MIL-STD 810G shock/vibration, RoHS, FCC, CE, and SAE J1455 crash certifications
- 3-Year Limited Warranty

**GETAC B360 LAPTOP DOCKING STATION**

ITEM NO.	DESCRIPTION	POWER SUPPLY	WEIGHT	HEIGHT	WIDTH	DEPTH
7160-1431-00	Getac B360 Laptop Vehicle Docking Station (No RF)	No - Use Getac Power Adapter (7300-0471)	4.85 lbs 2.2 kg	2.25" 5.72 cm	14" 35.56 cm	11.5" 29.21 cm
7160-1431-03	Getac B360 Laptop Vehicle Docking Station (Tri RF)	No - Use Getac Power Adapter (7300-0471)	4.85 lbs 2.2 kg	2.25" 5.72 cm	14" 35.56 cm	11.5" 29.21 cm
7170-0789-00	<b>Kit Includes:</b> Getac B360 Laptop Vehicle Docking Station (No RF) + Getac Automotive Power Adapter	Yes - Includes Getac Auto Power Adapter	5.55 lbs 2.51 kg	2.25" 5.72 cm	14" 35.56 cm	11.5" 29.21 cm
7170-0789-03	<b>Kit Includes:</b> Getac B360 Laptop Vehicle Docking Station (Tri RF) + Getac Automotive Power Adapter	Yes - Includes Getac Auto Power Adapter	5.55 lbs 2.51 kg	2.25" 5.72 cm	14" 35.56 cm	11.5" 29.21 cm



7160-1431-03

**FEATURES**

- Designed for the Getac B360 and B360 Pro laptop computers
- Getac Certified utilizing Getac Certified electronics
- Floating docking connector with steel guide pins to ensure a reliable connection even in the most rugged environments
- Front corner release latch, easily remove the computer by activating the latch
- Access to all computer control buttons and ports while the computer is docked
- Rear-facing I/O ports; integrated cable strain relief and cable management system
- Screen support for additional stability (included)
- Available with Tri RF antenna pass-through or No RF. Also available bundled with an automotive power adapter.
- Designed with rounded edges to enhance personal safety
- Composite/steel design for reduced weight and durability
- Keyed lock for theft deterrence
- Available with Tri RF antenna pass-through or No RF. Also available bundled with an automotive power adapter.
- Easy docking and release:
  - To dock: Align front brackets on dock with pockets on front of computer, slowly rotate back of the computer onto docking station, push down on back of computer until audible click is heard. Computer is docked.
  - To release: Disengage lock. Push blue release button and rotate back of computer up and pull front of computer away from the dock.
- VESA 75 mm mounting pattern
- MIL-STD 810G shock/vibration, RoHS, FCC, CE, and SAE J1455 crash certifications
- 3-Year Limited Warranty

**PORT REPLICATOR**

- |   |                |             |
|---|----------------|-------------|
| - Getac Certified Electronics                             | - Ethernet (2) | RJ45        |
| - USB 2.0 (1) 4 Pin Rear-Facing, (2) Front-Facing (500mA) | - VGA (1)      | D-Sub 9 Pin |
| - USB 3.0 (3)   | - HDMI (1)     | 19 Pin      |
| - RS232 Serial (1)  | - Power Input  | 19VDC       |

**GETAC B360 LAPTOP DOCKING STATION ACCESSORIES**



7110-1332

ITEM NO.	DESCRIPTION	PLACEMENT/COMPATIBILITY	WEIGHT	HEIGHT	WIDTH	DEPTH
7110-1332	Screen Support for Getac B360 Laptop Docking Station	Attaches to left or right rear corner of the B360 Docking Station or Cradle	.40 lbs .18 kg	9.0" 22.8 cm	2.12" 5.38 cm	3.75" 9.5 cm
7300-0471	Getac 120W Automotive Power Adapter with Cigarette Lighter Connector; 12-32V Input, Output Voltage 19VDC, Output Current 6.32 Amps to Barrel Connector Plug	Use with Getac S410, K120, A140, UX10, and B360 Docking Stations and Cradles	.7 lbs .31 kg	"5.1" 13 cm"	2.6" 6.6 cm	1.2" 3.0 cm

**GETAC EX80 DOCKING STATION**



7300-0143-00

ITEM NO.	ANTENNA PASS-THROUGH	POWER SUPPLY	WEIGHT	HEIGHT	WIDTH	DEPTH
7300-0143-00	No RF	No	4.2 lbs 1.9 kg	7.6" 19.3 cm	5.7" 14.4 cm	4" 10.1 cm
7300-0143-10	No RF	Yes - Includes LIND Power Adapter	4.3 lbs 1.9 kg	7.6" 19.3 cm	5.7" 14.4 cm	4" 10.1 cm

**FEATURES**

- Integrated Getac EX80 port replicator
- Aircraft-grade aluminum construction perfect for rugged environments and extended use
- Compact, low profile, space-saving design
- Front-facing USB port for ease of use
- Compatible with hand strap for portability
- Integrated cable management system
- Keyed locked for theft deterrence
- Easy, one-handed operation
- VESA 75 mounting pattern
- MIL-STD 810G tested and certified
- 3-Year Limited Warranty

**PORT REPLICATOR**

- Getac certified electronics
- Ethernet (1) RJ45
- USB 2.0 (3) 4 Pin Forward-facing (1), Rear (2)
- Power indicator light
- Power Input: 12VDC

**GETAC F110 G6 CRADLE**



7160-1642-03



ITEM NO.	ANTENNA PASS-THROUGH	POWER SUPPLY	WEIGHT	HEIGHT	WIDTH	DEPTH
7160-1642-00	No RF	<b>No</b> - Use LIND External Getac Power Supply (7300-0516 or 7300-0471) or LIND Power Supply (7300-0413, 7300-0412 or 7300-0416)	2.58 lbs 1.17 kg	13.33" 33.86 cm	11.75" 29.85 cm	4.69" 11.91 cm
7160-1642-03	Triple RF	<b>No</b> - Use LIND External Getac Power Supply (7300-0516 or 7300-0471) or LIND Power Supply (7300-0413, 7300-0412 or 7300-0416)	2.58 lbs 1.17 kg	13.33" 33.86 cm	11.75" 29.85 cm	4.69" 11.91 cm
7170-0901-00	No RF	<b>Yes</b> - Includes External Getac Power Supply	2.58 lbs 1.17 kg	13.33" 33.86 cm	11.75" 29.85 cm	4.69" 11.91 cm
7170-0901-03	Triple RF	<b>Yes</b> - Includes External Getac Power Supply	2.58 lbs 1.17 kg	13.33" 33.86 cm	11.75" 29.85 cm	4.69" 11.91 cm

**FEATURES**

- Compatible with the Getac F110 G6 tablet and all previous versions of the F110 tablet
- Cradle accommodates the tablet's mag strip reader and rotating hand strap
- Access to all tablet control buttons and ports while the tablet is cradled
- One-hand docking and release for efficient use all day long
- Keyed lock for theft deterrence
- Gamber-Johnson rugged construction and reliability
- Composite design for reduced weight and durability
- VESA 75mm mounting pattern
- MIL-STD 810G shock/vibration, RoHS, FCC, UKCA, Environmental Thermal Shock, Humidity, High/Low Temperature, Storage/Operational, EMI, and SAE J1455 crash certifications
- 3-Year Limited Warranty

**GETAC F110 G6 DOCKING STATION**

ITEM NO.	ANTENNA PASS-THROUGH	POWER SUPPLY	WEIGHT	HEIGHT	WIDTH	DEPTH
7160-1584-00	No RF	<b>No</b> - Use LIND External Getac Power Supply (7300-0516 or 7300-0471) or LIND Power Supply (7300-0413, 7300-0412 or 7300-0416)	2.88 lbs 1.31 kg	13.33" 33.86 cm	11.75" 29.85 cm	4.69" 11.91 cm
7160-1584-03	Triple RF	<b>No</b> - Use LIND External Getac Power Supply (7300-0516 or 7300-0471) or LIND Power Supply (7300-0413, 7300-0412 or 7300-0416)	2.88 lbs 1.31 kg	13.33" 33.86 cm	11.75" 29.85 cm	4.69" 11.91 cm
7170-0902-00	No RF	<b>Yes</b> - Includes External Getac Power Supply	2.88 lbs 1.31 kg	13.33" 33.86 cm	11.75" 29.85 cm	4.69" 11.91 cm
7170-0902-03	Triple RF	<b>Yes</b> - Includes External Getac Power Supply	2.88 lbs 1.31 kg	13.33" 33.86 cm	11.75" 29.85 cm	4.69" 11.91 cm



7160-1584-03

**FEATURES**

- Getac certified electronics
- Compatible with the Getac F110 G6 tablet and all previous versions of the F110 tablet
- Docking station accommodates the tablet's mag strip reader and rotating hand strap
- Access to all tablet control buttons and ports while the tablet is docked
- Downward-facing I/O ports; integrated cable strain relief and cable management system
- Floating docking connector for reliable connectivity in the most rugged environments
- Keyed lock for theft deterrence
- MIL-STD 810G shock/vibration, RoHS, FCC, UKCA, Environmental Thermal Shock, Humidity, High/Low Temperature, Storage/Operational, EMI, and SAE J1455 crash certifications
- 3-Year Limited Warranty

**PORT REPLICATOR**

- Getac certified electronics
- (1) Ethernet RJ45
- (3) USB 2.0 (500mA) 4 pin
- (1) USB 3.0 (900mA) 9 pin
- (1) VGA D-sub 9 pin
- (1) HDMI 19 pin
- Tri RF Pass-through (optional) SMA
- Power input 19VDC
- (1 each) Speakers / Microphone



**GETAC F110 CRADLE AND DOCKING STATION ACCESSORIES**

ITEM NO.	DESCRIPTION	PLACEMENT	WEIGHT	HEIGHT	WIDTH	DEPTH
7300-0463	External LIND Auto Power Adapter with Cigarette Adapter	Use with Getac F110 Docking Stations and Cradles	1.0 lbs 0.45 kg	1.2" 3.0 cm	2.5" 6.4 cm	5.2" 13.2 cm
7160-0539	LIND Power Supply Mount	Attaches a LIND power supply between a docking station/cradle and the motion attachment	1.5 lbs 0.68 kg	5.0" 12.7 cm	10.0" 25.4 cm	1.3" 3.3 cm
7160-0950	10" Universal Tablet Protective Cover	Use with Getac F110 Docking Stations and Cradles	0.4 lbs 0.18 kg	15.0" 38.1 cm	13.0" 33.0 cm	4.0" 10.2 cm
7160-0982	Thermal Tablet Protective Cover	Use with Getac F110 Docking Stations and Cradles	1.15 lbs. 0.52 kg	14.25" 36.2 cm	12.75" 32.4 cm	3.5" 8.9 cm



7160-0950

**GETAC K120 TABLET CRADLE**

ITEM NO.	ANTENNA PASS-THROUGH	POWER SUPPLY	WEIGHT	HEIGHT	WIDTH	DEPTH
7160-1085-00	No RF	<b>No</b> - Use Getac External Power Supply (7300-0471)	3.0 lbs 1.36 kg	11.63" 29.5 cm	13.19" 33.5 cm	4.38" 11.1 cm
7160-1085-03	Triple RF	<b>No</b> - Use Getac External Power Supply (7300-0471)	3.0 lbs 1.36 kg	11.63" 29.5 cm	13.19" 33.5 cm	4.38" 11.1 cm



7160-1085-00

**FEATURES**

- Designed for the Getac K120 tablet computer
- Getac certified
- Cradle accommodates rotating hand strap (sold separately)
- Designed with rounded edges to enhance personal safety
- Composite/aluminum design for reduced weight and durability
- Access to all tablet control buttons and ports while tablet is cradled
- Optional lock (keyed alike) for theft deterrence
- Easy to use one-handed operation:
  - Insert bottom of computer into the cradle, push top of computer against latch button until latch engages
  - To remove, push up on latch-button with thumb to disengage and pull computer out of the cradle
- VESA 75 mm mounting pattern
- MIL-STD 810G shock/vibration, RoHS, FCC, and SAE J1455 crash certifications
- 3-Year Limited Warranty



7160-1084-03

**GETAC K120 TABLET DOCKING STATION**

ITEM NO.	ANTENNA PASS-THROUGH	POWER SUPPLY	WEIGHT	HEIGHT	WIDTH	DEPTH
7160-1084-00	No RF	<b>No</b> - Use Getac External Power Supply (7300-0471)	3.2 lbs 1.45 kg	11.63" 29.5 cm	13.19" 33.5 cm	4.38" 11.1 cm
7160-1084-03	Triple RF	<b>No</b> - Use Getac External Power Supply (7300-0471)	3.2 lbs 1.45 kg	11.63" 29.5 cm	13.19" 33.5 cm	4.38" 11.1 cm
7170-0694-00	No RF	<b>Yes</b> - Includes Getac External Power Supply	4.2 lbs 1.90 kg	11.63" 29.5 cm	13.19" 33.5 cm	4.38" 11.1 cm
7170-0694-03	Triple RF	<b>Yes</b> - Includes Getac External Power Supply	4.2 lbs 1.90 kg	11.63" 29.5 cm	13.19" 33.5 cm	4.38" 11.1 cm

**FEATURES**

- Designed for the Getac K120 tablet computer
- Getac certified utilizing Getac certified electronics
- Docking station design accommodates rotating hand strap (sold separately)
- Designed with rounded edges to enhance personal safety
- Composite/aluminum design for reduced weight and durability
- Access to all tablet control buttons and ports while tablet is docked
- Upward-facing I/O ports; integrated cable strain relief and cable management system
- Floating docking connector for reliable connectivity in the most rugged environments
- Optional lock (keyed alike) for theft deterrence
- Easy to use one-handed operation:
  - Insert bottom of computer into the docking station, push top of computer against latch button until latch engages
  - To remove, push up on latch-button with thumb to disengage and pull computer out of the docking station
- VESA 75 mm mounting pattern
- MIL-STD 810G shock/vibration, RoHS, FCC, and SAE J1455 crash certifications
- 3-Year Limited Warranty

**PORT REPLICATOR**

- Getac certified electronics
- Ethernet (2) RJ45
- RS232 Serial D-sub 9 pin
- USB 2.0 (3) 4 Pin Forward-facing (2), Rear (1)
- USB 3.0 (3) 9 Pin
- VGA (1) D-Sub 9 Pin
- HDMI (1) 19 Pin
- RF Pass Through (optional) SMA
- Power Input: 19VDC

**GETAC K120 DOCKING STATION AND CRADLE ACCESSORIES**



7300-0471

ITEM NO.	DESCRIPTION	PLACEMENT	WEIGHT	HEIGHT	WIDTH	DEPTH
7300-0471	Getac 120W Auto Power Adapter, 12-32VDC Input	Use with Getac S410, K120, A140, UX10, and B360 Docking Stations and Cradles	.7 lbs .31 kg	1.2" 3.0 cm	2.6" 6.3 cm	5.1" 12.9 cm
7160-0950	10" Universal Tablet Protective Cover	Use with Getac K120 Tablet Docking Station or Cradle	.4 lbs .18 kg	15.0" 38.1 cm	13.0" 33.0 cm	4.0" 10.2 cm
7160-0539	LIND Power Supply Mount	Attaches a LIND power supply between a docking station/cradle and the motion attachment	1.5 lbs .68 kg	5.0" 12.7 cm	10.0" 25.4 cm	1.3" 3.3 cm

**GETAC K120 NOTEBOOK CRADLE**

ITEM NO.	ANTENNA PASS-THROUGH	POWER SUPPLY	WEIGHT	HEIGHT	WIDTH	DEPTH
7160-1083-00	No RF	No - Use Getac External Power Supply (7300-0471)	4.10 lbs 1.85 kg	2.5" 6.5 cm	11.6" 29.5 cm	12.1" 30.7 cm
7160-1083-03	Triple RF	No - Use Getac External Power Supply (7300-0471)	4.10 lbs 1.85 kg	2.5" 6.5 cm	11.6" 29.5 cm	12.1" 30.7 cm



7160-1083-00

**FEATURES**

- Designed for the Getac K120 2-in-1 notebook computer
- Getac certified
- Designed with rounded edges to enhance personal safety
- Composite/aluminum design for reduced weight and durability
- Access to all notebook control buttons and ports while the notebook is cradled
- Screen support is included
- Keyed-alike lock for theft deterrence. When notebook is closed and screen is latched, lock will secure the keyboard and the tablet
- Rear corner release button. Easily remove the computer with the push of a button.
- VESA 75 mm mounting pattern
- MIL-STD 810G shock/vibration, RoHS, FCC, and SAE J1455 crash certifications
- 3-Year Limited Warranty

**GETAC K120 NOTEBOOK DOCKING STATION**

ITEM NO.	ANTENNA PASS-THROUGH	POWER SUPPLY	WEIGHT	HEIGHT	WIDTH	DEPTH
7160-1082-00	No RF	No - Use Getac External Power Supply (7300-0471)	4.25 lbs 1.92 kg	2.5" 6.5 cm	11.6" 29.5 cm	12.1" 30.7 cm
7160-1082-03	Triple RF	No - Use Getac External Power Supply (7300-0471)	4.25 lbs 1.92 kg	2.5" 6.5 cm	11.6" 29.5 cm	12.1" 30.7 cm
7170-0693-00	No RF	No - Includes Getac External Power Supply	4.95 lbs 2.24 kg	2.5" 6.5 cm	11.6" 29.5 cm	12.1" 30.7 cm
7170-0693-03	Triple RF	No - Includes Getac External Power Supply	4.95 lbs 2.24 kg	2.5" 6.5 cm	11.6" 29.5 cm	12.1" 30.7 cm



7160-1082-03

**FEATURES**

- Designed for the Getac K120 2-in-1 notebook computer
- Getac certified utilizing Getac certified electronics
- Docking Station design accommodates MSR and rotating hand strap (sold separately)
- Designed with rounded edges to enhance personal safety
- Composite/aluminum design for reduced weight and durability
- Access to all notebook control buttons and ports while the notebook is docked
- Forward-facing I/O ports; integrated cable strain relief and cable management system
- Floating docking connector for reliable connectivity in the most rugged environments
- Screen support is included
- Keyed-alike lock for theft deterrence. When notebook is closed and screen is latched, lock will secure the keyboard and the tablet.
- Rear corner release button, easily remove the computer with the push of a button
- VESA 75 mounting pattern
- MIL-STD 810G shock/vibration, RoHS, FCC, and SAE J1455 crash certifications
- 3-Year Limited Warranty

**PORT REPLICATOR**

- Getac certified electronics
- Ethernet (2) RJ45
- RS232 Serial D-sub 9 pin
- USB 2.0 (3) 4 Pin Forward-facing (2), Rear (1)
- USB 3.0 (3) 9 Pin
- VGA (1) D-Sub 9 Pin
- HDMI (1) 19 Pin
- RF Pass Through (optional) SMA
- Power Input: 19VDC

**GETAC K120 DOCKING STATION ACCESSORIES**

ITEM NO.	DESCRIPTION	PLACEMENT	WEIGHT	HEIGHT	WIDTH	DEPTH
7300-0471	Getac 120W Auto Power Adapter, 12-32VDC Input	Use with Getac S410, K120, A140, UX10, and B360 Docking Stations and Cradles	.7 lbs .31 kg	1.2" 3.0 cm	2.6" 6.3 cm	5.1" 12.9 cm
7110-1270	Getac K120 Screen Support	Attaches to the right or left rear corner of the laptop docking station or cradle	.40 lbs. .18 kg	9.0" 22.8 cm	2.12" 5.38 cm	3.75" 9.5 cm



7300-0471

**GETAC S410 DOCKING STATION**



7160-0790-03



7170-0537

ITEM NO.	ANTENNA PASS-THROUGH	POWER SUPPLY	WEIGHT	HEIGHT	WIDTH	DEPTH
<b>7160-0790-00</b>	No	<b>No</b> - Use Getac Power supply (7300-0471)	4.5 lbs 2.0 kg	12.4" 31.5 cm	13.8" 35.1 cm	2.9" 7.4 cm
<b>7160-0790-03</b>	Triple RF (SMA)	<b>No</b> - Use Getac Power supply (7300-0471)	4.5 lbs 2.0 kg	12.4" 31.5 cm	13.8" 35.1 cm	2.9" 7.4 cm
<b>7170-0536</b>	No	<b>Yes</b> - Includes Getac Auto Power Supply	5.2 lbs 2.35 kg	12.4" 31.5 cm	13.8" 35.1 cm	2.9" 7.4 cm
<b>7170-0537</b>	Triple RF (SMA)	<b>Yes</b> - Includes Getac Auto Power Supply	5.2 lbs 2.35 kg	12.4" 31.5 cm	13.8" 35.1 cm	2.9" 7.4 cm

**FEATURES**

- Compatible with Getac S410 computer
- Getac Certified utilizing Getac Certified electronics
- Rugged composite/aluminum construction with black powder coat finish for long-term durability
- Small footprint designed to maximize available space
- Rear-facing I/O ports, integrated cable strain relief system, and convenient cable management system
- Spring-loaded docking connector to ensure connectivity in the roughest terrain
- Rear hooks and guide pins ensure proper alignment and docking connectivity
- Front-facing docking latch
- Keyed lock for theft deterrence
- Screen support is included with the dock
- Power supply bracket (7120-0736) to attach power supply to the bottom of the dock included with (7170-0536 and 7170-0537)
- VESA 75 mm mounting pattern
- MIL-STD 810G shock/vibration, RoHS, FCC, CE, and SAE J1455 crash certifications
- 3-Year Limited Warranty

**PORT REPLICATOR**

- Getac certified electronics
- Serial (1) D-Sub 9 Pin
- Ethernet (1) RJ45
- USB 3.0 (1) 9 Pin
- USB 2.0 (3) 4 Pin
- VGA (1) D-Sub 15 Pin
- HDMI (1) 19 Pin
- Microphone/speaker
- RF pass-through (optional) SMA
- Power supply input 19V DC



**GETAC S410 CRADLE**



7160-0791-00

ITEM NO.	ANTENNA PASS-THROUGH	POWER SUPPLY	WEIGHT	HEIGHT	WIDTH	DEPTH
<b>7160-0791-00</b>	No	<b>No</b> - Use Getac Power Supply (7300-0471)	4.5 lbs 2.0 kg	12.4" 31.5 cm	13.8" 35.1 cm	2.9" 7.4 cm
<b>7160-0791-03</b>	Triple RF (SMA)	<b>No</b> - Use Getac Power Supply (7300-0471)	4.5 lbs 2.0 kg	12.4" 31.5 cm	13.8" 35.1 cm	2.9" 7.4 cm
<b>7170-0538</b>	No	<b>Yes</b> - Includes Getac Auto Power Supply	5.2 lbs 2.35 kg	12.4" 31.5 cm	13.8" 35.1 cm	2.9" 7.4 cm
<b>7170-0539</b>	Triple RF (SMA)	<b>Yes</b> - Includes Getac Auto Power Supply	5.2 lbs 2.35 kg	12.4" 31.5 cm	13.8" 35.1 cm	2.9" 7.4 cm

**FEATURES**

- Compatible with Getac S410 computer
- Getac certified
- Rear hooks and guide pins ensure proper alignment
- Small footprint designed to maximize available space
- Front-facing docking latch
- Keyed lock for theft deterrence
- Screen support is included with the dock
- Power supply bracket (7120-0736) to attach power supply to the bottom of the dock included with (7170-0538 and 7170-0539)
- Rugged composite/aluminum construction with black powder coat finish for long-term durability
- VESA 75 mm mounting pattern
- MIL-STD 810G shock/vibration, RoHS, FCC, CE, and SAE J1455 crash certifications
- 3-Year Limited Warranty



**GETAC T800 CRADLE**

ITEM NO.	ANTENNA PASS-THROUGH	POWER SUPPLY	WEIGHT	HEIGHT	WIDTH	DEPTH
7160-0583-00	NA	No - Use External LIND Auto Adapter (7300-0463)	2.4 lbs 1.1 kg	9.5" 24.1 cm	8.4" 21.3 cm	3.5" 8.9 cm
7160-0583-03	Triple RF (SMA)	No - Use External LIND Auto Adapter (7300-0463)	2.4 lbs 1.1 kg	9.5" 24.1 cm	8.4" 21.3 cm	3.5" 8.9 cm
7170-0246	NA	Yes - Includes External LIND Power Supply	3.4 lbs 1.5 kg	9.5" 24.1 cm	8.4" 21.3 cm	3.5" 8.9 cm
7170-0247	Triple RF (SMA)	Yes - Includes External LIND Power Supply	3.4 lbs 1.5 kg	9.5" 24.1 cm	8.4" 21.3 cm	3.5" 8.9 cm



7160-0583-00

**Features**

- Designed for the Getac T800 tablet computer
- Getac Certified
- Cradle design accommodates SnapBack, SmartCard & RFID reader and X-Hand Strap (sold separately)
- Designed with rounded edges to enhance personal safety
- Composite/aluminum design for reduced weight and durability
- Access to all tablet control buttons and ports while tablet is docked
- Push and turn lock with key for theft deterrence
- Insert computer then push down and turn lock to close and dock computer
- VESA 75 mm mounting pattern
- MIL-STD 810G shock/vibration, RoHS, FCC, CE, and SAE J1455 crash certifications
- 3-Year Limited Warranty

**GETAC T800 DOCKING STATION**

ITEM NO.	ANTENNA PASS-THROUGH	POWER SUPPLY	WEIGHT	HEIGHT	WIDTH	DEPTH
7160-0565-00	NA	No - Use External LIND Auto Adapter (7300-0463)	2.4 lbs 1.1 kg	9.5" 24.1 cm	8.4" 21.3 cm	3.5" 8.9 cm
7160-0565-03	Triple RF (SMA)	No - Use External LIND Auto Adapter (7300-0463)	2.4 lbs 1.1 kg	9.5" 24.1 cm	8.4" 21.3 cm	3.5" 8.9 cm
7170-0244	NA	Yes - Includes External LIND Power Supply	3.4 lbs 1.5 kg	9.5" 24.1 cm	8.4" 21.3 cm	3.5" 8.9 cm
7170-0245	Triple RF (SMA)	Yes - Includes External LIND Power Supply	3.4 lbs 1.5 kg	9.5" 24.1 cm	8.4" 21.3 cm	3.5" 8.9 cm



7160-0565-00

**FEATURES**

- Designed for the Getac T800 tablet computer
- Getac Certified utilizing Getac Certified electronics
- Docking station design accommodates SnapBack, SmartCard & RFID reader and X-Hand Strap (sold separately)
- Designed with rounded edges to enhance personal safety
- Composite/aluminum design for reduced weight and durability
- Access to all tablet control buttons and ports while tablet is docked
- Downward-facing I/O ports; integrated cable strain relief and cable management system
- Floating docking connector for reliable connectivity in the most rugged environments
- Push and turn lock with key for theft deterrence
- Insert computer then push down and turn lock to close and dock computer
- VESA 75 mm mounting pattern
- MIL-STD 810G shock/vibrations, RoHS, FCC, CE, and SAE J1455 crash certifications
- 3-Year Limited Warranty

**PORT REPLICATOR**

- Getac certified electronics
- Ethernet (1) RJ45
- Serial (1) D-Sub 9 Pin
- USB 3.0 (2) 9 Pin
- RF Pass Through (optional) SMA
- Power supply Input: 19VDC



**GETAC T800 CRADLE AND DOCKING STATION ACCESSORIES**



7160-0949

ITEM NO.	DESCRIPTION	PLACEMENT/COMPATIBILITY	WEIGHT	HEIGHT	WIDTH	DEPTH
7160-0539	LIND Power Supply Mount	Attaches a LIND power supply between a docking station/cradle and the motion attachment	1.5 lbs 0.7 kg	5.0" 12.7 cm	10.0" 25.4 cm	1.3" 3.3 cm
7300-0463	External LIND Automobile Cigarette Power Adapter (Getac T800)	For use with Getac T800 Docking Stations and Cradle	1.0 lb 0.5 kg	1.2" 3.0 cm	2.5" 6.4 cm	5.2" 13.2 cm
7160-0949	8" Universal Tablet Cover	For use with Getac T800 Docking Stations and Cradle	0.2 lbs 0.1 kg	12.5" 31.8 cm	10.5" 26.7 cm	3.5" 8.9 cm
7160-0981	Thermal Tablet Protective Cover	For use with Getac T800 Docking Stations and Cradle	0.95 lbs. 0.43 kg	13.5" 34.3 cm	11.25" 28.6 cm	3.25" 8.3 cm

**GETAC UX10 TABLET CRADLE**



7160-1253-03

ITEM NO.	DESCRIPTION	POWER SUPPLY	WEIGHT	HEIGHT	WIDTH	DEPTH
7160-1815-00	Getac UX10 Tablet Cradle NO RF (No Electronics)	<b>No</b> - Use Getac Power Adapter (7300-0471)	2.0 lbs 90 kg	9.87 in 25.06 cm	11.25 in 28.57 cm	4.5 in 11.43 cm
716-1815-03	Getac UX10 Tablet Cradle TRI RF (No Electronics)	<b>No</b> - Use Getac Power Adapter (7300-0471)	2.0 lbs 90 kg	9.87 in 25.06 cm	11.25 in 28.57 cm	4.5 in 11.43 cm
7170-0997	Getac UX10 Tablet Cradle NO RF (No Electronics) with Getac Auto Power Adapter	<b>Yes</b> - Includes Getac Auto Power Adapter	2.7 lbs 1.22 kg	9.87 in 25.06 cm	11.25 in 28.57 cm	4.5 in 11.43 cm
7170-0998	Getac UX10 Tablet Cradle TRI RF (no electronics) with Getac Auto Power Adapter	<b>Yes</b> - Includes Getac Auto Power Adapter	2.7 lbs 1.22 kg	9.87 in 25.06 cm	11.25 in 28.57 cm	4.5 in 11.43 cm

**FEATURES**

- Designed for the Getac UX10 tablet computer
- Getac Certified
- Cradle design accommodates the rotating hand strap with the extended battery, or the optional hard handle, RFID reader, smart card reader, and mag stripe reader. (sold separately)
- Designed with rounded edges to enhance personal safety
- Composite/aluminum design for reduced weight and durability
- Keyed lock for theft deterrence
- Easy to use one-handed operation:
  - Insert bottom of computer into cradle, push top of computer against latch button until latch engages
  - To remove, push up on latch-button with thumb to disengage and pull computer out of cradle
- VESA 75 mm mounting pattern
- MIL-STD 810G shock/vibration, RoHS, FCC, CE, and SAE J1455 crash certifications
- 3-Year Limited Warranty

**GETAC UX10 TABLET DOCKING STATION**

ITEM NO.	DESCRIPTION	POWER SUPPLY	WEIGHT	HEIGHT	WIDTH	DEPTH
7160-1813-00	Getac UX10 Tablet Docking Station (NO RF)	<b>No</b> - Use Getac Power Adapter (7300-0471)	2.15 lbs 0.97 kg	9.87 in 25.06 cm	11.25 in 28.57 cm	4.5 in 11.43 cm
7160-1813-03	Getac UX10 Tablet Docking Station (TRI RF)	<b>No</b> - Use Getac Power Adapter (7300-0471)	2.15 lbs 0.97 kg	9.87 in 25.06 cm	11.25 in 28.57 cm	4.5 in 11.43 cm
7170-0995	Getac UX10 Tablet Docking Station (NO RF) with Getac 120W Auto Power Adapter	<b>Yes</b> - Includes Getac Auto Power Adapter	2.85 lbs 1.29 kg	9.87 in 25.06 cm	11.25 in 28.57 cm	4.5 in 11.43 cm
7170-0996	Getac UX10 Tablet Docking Station (TRI RF) with Getac 120W Auto Power Adapter	<b>Yes</b> - Includes Getac Auto Power Adapter	2.85 lbs 1.29 kg	9.87 in 25.06 cm	11.25 in 28.57 cm	4.5 in 11.43 cm



7160-1252-03

**FEATURES**

- Designed for the Getac UX10 tablet computer
- Getac Certified utilizing Getac Certified electronics
- Docking station design accommodates the rotating hand strap with the extended battery, or the optional hard handle, RFID reader, smart card reader, and mag stripe reader. (sold separately)
- Downward-facing I/O ports; integrated cable strain relief and cable management system
- Floating POGO docking connector for reliable docking activation
- Docking tabs align tablet during insertion
- Designed with rounded edges to enhance personal safety
- Composite/aluminum design for reduced weight and durability
- Keyed lock for theft deterrence
- Easy to use one-handed operation:
  - Insert bottom of computer into docking station, push top of computer against latch button until latch engages
  - To remove, push up on latch-button with thumb to disengage and pull computer out of docking station
- VESA 75 mm mounting pattern
- MIL-STD 810G shock/vibration, RoHS, FCC, CE, and SAE J1455 crash certifications
- 3-Year Limited Warranty

**PORT REPLICATOR**

- Getac Certified Electronics
- RS232 Serial (1)                      D-sub 9 pin
- USB 2.0 (2)                              4 Pin Forward-Facing (500mA)
- USB 3.0 (1)                              4 Pin Rear-Facing (900mA)
- USB 3.0 (1)                              4 Pin Rear-Facing, (1) Fast Charging (1500mA)
- Ethernet                                  RJ45 (1)
- Power Input                              19 VDC
- Antenna                                    TRI RF (SMA) (Optional)

**GETAC UX10 TABLET DOCKING STATION ACCESSORIES**

ITEM NO.	DESCRIPTION	POWER SUPPLY	WEIGHT	HEIGHT	WIDTH	DEPTH
7300-0471	Getac 120W Automotive Power Adapter with Cigarette Lighter Connector; 12-32V Input, Output Voltage 19VDC, Output Current 6.32 Amps to Barrel Connector Plug	Use with Getac S410, K120, A140, UX10, and B360 Docking Station or Cradle	0.7 lbs 0.31 kg	5.1" 13 cm	2.6" 6.6 cm	1.2" 3.0 cm
7160-0950	10" Universal Tablet Protective Cover	Use with Getac UX10 Tablet Docking Station or Cradle	0.4 lbs 0.18 kg	15.0" 38.1 cm	13.0" 33.0 cm	4.0" 10.2 cm
7160-0982	Thermal Tablet Protective Cover	Use with Getac UX10 Tablet Docking Station or Cradle	1.15 lbs. 0.52 kg	14.25" 36.2 cm	12.75" 32.4 cm	3.5" 8.9 cm



7300-0471

**GETAC V110 DOCKING STATION**



7160-0515-03

ITEM NO.	ANTENNA PASS-THROUGH	POWER SUPPLY	WEIGHT	HEIGHT	WIDTH	DEPTH
<b>7160-0515-00</b>	NA	<b>No</b> - Use External LIND Auto Adapter (7300-0463)	3.8 lbs 1.7 kg	1.4" 3.6 cm	11.6" 29.5 cm	10.75" 27.3 cm
<b>7160-0515-03</b>	Triple RF (SMA)	<b>No</b> - Use External LIND Auto Adapter (7300-0463)	3.8 lbs 1.7 kg	1.4" 3.6 cm	11.6" 29.5 cm	10.75" 27.3 cm
<b>7170-0242</b>	NA	<b>Yes</b> - Includes External LIND Power Supply	4.8 lbs 2.2 kg	1.4" 3.6 cm	11.6" 29.5 cm	10.75" 27.3 cm
<b>7170-0243</b>	Triple RF (SMA)	<b>Yes</b> - Includes External LIND Power Supply	4.8 lbs 2.2 kg	1.4" 3.6 cm	11.6" 29.5 cm	10.75" 27.3 cm

**FEATURES**

- Designed for the Getac V110 convertible computer
- Getac Certified utilizing Getac electronics
- Front-facing I/O ports, integrated cable strain relief system, and convenient cable management system
- Front safety bracket helps align computer for proper docking connectivity
- Floating POGO pin style docking connector for reliable docking activation
- Built-in stylus holder
- Screen support is included with the docking station
- Rugged aluminum construction
- Push button front latch with keyed lock: Push latch to release the docking connector, insert computer, push latch closed
- VESA 75 mm mounting pattern
- MIL-STD 810G shock/vibration, RoHS, FCC, CE, and SAE J1455 crash certifications
- 3-Year Limited Warranty

**PORT REPLICATOR**

- Getac certified electronics
- Ethernet (1) RJ45
- USB 2.0 (3) 4 Pin
- USB 3.0 (1) 9 Pin
- Serial (2) D-Sub 9 Pin
- VGA (1) D-Sub 15 Pin
- HDMI (1) 19 Pin
- Headphones/Speakers Stereo phono jack
- Microphone Mono phono jack
- RF pass through (optional) SMA
- Power supply input 19V DC



**GETAC V110 CRADLE**



7160-0568-00

ITEM NO.	ANTENNA PASS-THROUGH	POWER SUPPLY	WEIGHT	HEIGHT	WIDTH	DEPTH
<b>7160-0568-00</b>	NA	<b>No</b> - Use External LIND Auto Adapter (7300-0463)	3.8 lbs 1.7 kg	1.4" 3.6 cm	11.6" 29.5 cm	10.75" 27.3 cm
<b>7160-0568-03</b>	Triple RF (SMA)	<b>No</b> - Use External LIND Auto Adapter (7300-0463)	3.8 lbs 1.7 kg	1.4" 3.6 cm	11.6" 29.5 cm	10.75" 27.3 cm
<b>7160-0568-04</b>	NA	<b>Yes</b> - Includes External LIND Power Supply	4.8 lbs 2.2 kg	1.4" 3.6 cm	11.6" 29.5 cm	10.75" 27.3 cm
<b>7160-0568-05</b>	Triple RF (SMA)	<b>Yes</b> - Includes External LIND Power Supply	4.8 lbs 2.2 kg	1.4" 3.6 cm	11.6" 29.5 cm	10.75" 27.3 cm

**FEATURES**

- Designed for the Getac V110 convertible computer
- Getac Certified
- Front safety bracket helps align computer
- Built-in stylus holder
- Screen support is included with the docking station
- Rugged aluminum construction
- Push button front latch with keyed lock: Push latch to release rear hooks, insert computer, push latch closed
- VESA 75 mm mounting pattern
- MIL-STD 810G shock/vibration, RoHS, FCC, CE, and SAE J1455 crash certifications
- 3-Year Limited Warranty

**GETAC V110 DOCKING STATION/CRADLE ACCESSORIES**



7160-0539

ITEM NO.	DESCRIPTION	PLACEMENT	WEIGHT	HEIGHT	WIDTH	DEPTH
<b>7160-0539</b>	LIND Power Supply Mount	Attaches a LIND power supply between a docking station/cradle and the motion attachment	1.5 lbs 0.7 kg	5.0" 12.7 cm	10.0" 25.4 cm	1.3" 3.3 cm
<b>7300-0463</b>	External LIND Automobile Cigarette Power Adapter (Getac V110)	For use with the following Getac V110 Docking Stations (7160-0515-00 and 7160-0515-03)	1.0 lbs 0.5 kg	1.2" 3.0 cm	2.5" 6.4 cm	5.2" 13.2 cm

**GETAC ZX10 CRADLE**

ITEM NO.	ANTENNA PASS-THROUGH	POWER SUPPLY	WEIGHT	HEIGHT	WIDTH	DEPTH
7160-1676-00	NA	<b>No</b> - Use External Getac Power Adapter (7300-0516 or 7300-0471) or LIND Power Adapter (7300-0413, 7300-0412 or 7300-0416)	2.4 lbs 1.09 kg	9.89" 25.12 cm	11.49" 29.19 cm	4.15" 10.54 cm
7160-1676-03	Triple RF (SMA)	<b>No</b> - Use External Getac Power Adapter (7300-0516 or 7300-0471) or LIND Power Adapter (7300-0413, 7300-0412 or 7300-0416)	2.4 lbs 1.09 kg	9.89" 25.12 cm	11.49" 29.19 cm	4.15" 10.54 cm
7170-0964-00	NA	<b>Yes</b> - Includes External Getac Power Supply (7300-0516)	2.4 lbs 1.09 kg	9.89" 25.12 cm	11.49" 29.19 cm	4.15" 10.54 cm
7170-0964-03	Triple RF (SMA)	<b>Yes</b> - Includes External LIND Power Supply (7300-0516)	2.4 lbs 1.09 kg	9.89" 25.12 cm	11.49" 29.19 cm	4.15" 10.54 cm



7160-1676-03

**FEATURES**

- Compatible with the Getac ZX10 tablet
- Cradle accommodates the tablet's card reader, extended battery, hand strap, stylus, barcode reader, and hard carry handle
- Access to all tablet control buttons and ports while the tablet is cradled
- One-hand docking and release for efficient use all day long
- Keyed lock for theft deterrence
- Gamber-Johnson rugged construction and reliability
- Composite design for reduced weight and durability
- VESA 75mm mounting pattern
- MIL-STD 810G shock/vibration, RoHS, FCC, CE, UKCA, Environmental Thermal Shock, Humidity, High/Low Temperature, and SAE J1455 crash certifications
- 3-Year Limited Warranty

**GETAC ZX10 DOCKING STATION**

ITEM NO.	ANTENNA PASS-THROUGH	POWER SUPPLY	WEIGHT	HEIGHT	WIDTH	DEPTH
7160-1675-00	NA	<b>No</b> - Use External Getac Power Adapter (7300-0516 or 7300-0471) or LIND Power Adapter (7300-0413, 7300-0412 or 7300-0416)	2.6 lbs 1.18 kg	9.89" 25.12 cm	11.49" 29.19 cm	4.15" 10.54 cm
7160-1675-03	Triple RF (SMA)	<b>No</b> - Use External Getac Power Adapter (7300-0516 or 7300-0471) or LIND Power Adapter (7300-0413, 7300-0412 or 7300-0416)	2.6 lbs 1.18 kg	9.89" 25.12 cm	11.49" 29.19 cm	4.15" 10.54 cm
7170-0961-00	NA	<b>Yes</b> - Includes External Getac Power Supply (7300-0516)	2.6 lbs 1.18 kg	9.89" 25.12 cm	11.49" 29.19 cm	4.15" 10.54 cm
7170-0961-03	Triple RF (SMA)	<b>Yes</b> - Includes External LIND Power Supply (7300-0516)	2.6 lbs 1.18 kg	9.89" 25.12 cm	11.49" 29.19 cm	4.15" 10.54 cm



7160-1675-03

**FEATURES**

- Getac certified electronics
- Compatible with the Getac ZX10 tablet
- Docking station accommodates the tablet's card reader, extended battery, hand strap, stylus, barcode reader, and hard carry handle
- Access to all tablet control buttons and ports while the tablet is docked
- Docking connector gasket provides additional water resistance and protection.
- Downward-facing I/O ports; integrated cable strain relief and cable management system
- Floating docking connector for reliable connectivity in the most rugged environments
- One-hand docking and release for efficient use all day long
- Keyed lock for theft deterrence
- Gamber-Johnson rugged construction and reliability
- Composite design for reduced weight and durability
- VESA 75mm mounting pattern
- MIL-STD 810G shock/vibration, RoHS, FCC, CE, UKCA, Environmental Thermal Shock, Humidity, High/Low Temperature, and SAE J1455 crash certifications
- 3-Year Limited Warranty

**PORT REPLICATOR**

- Getac certified electronics
  - (2) Full Powered USB 2.0 (1.5A Output)
  - Power supply input
  - Headphone / Microphone (1 each)
  - RF Pass-through (optional)
- 4 pin  
19 VDC



**GETAC ZX70 CHARGING CRADLE**



7160-1135-01

ITEM NO.	ANTENNA PASS-THROUGH	POWER SUPPLY	WEIGHT	HEIGHT	WIDTH	DEPTH
7160-1135-00	NA	ZX70 Cradle (No Electronics) only Use Auto Power Supply (7300-0441) or Isolated Power Supply (7300-0466 or 7300-0467)	0.90 lbs 0.4 kg	7.6" 19.3 cm	8.8" 22.5 cm	3.1" 7.9 cm
7160-1135-01	NA	ZX70 Charging Cradle (with POGO Pin Connector Use Auto Power Supply (7300-0441) or Isolated Power Supply (7300-0466 or 7300-0467)	0.90 lbs 0.4 kg	7.6" 19.3 cm	8.8" 22.5 cm	3.1" 7.9 cm
7170-0686-01	NA	ZX70 Charging Cradle with 12V External Automotive Power Adapter	1.91 lbs 0.86 kg	7.6" 19.3 cm	8.8" 22.5 cm	3.1" 7.9 cm
7170-0686-11	NA	ZX70 Charging Cradle with External 12-32VDC Isolated Power Supply for Material Handling	1.91 lbs 0.86 kg	7.6" 19.3 cm	8.8" 22.5 cm	3.1" 7.9 cm
7170-0686-21	NA	ZX70 Charging Cradle with External 20-60VDC Isolated Power Supply for Material Handling	1.91 lbs 0.86 kg	7.6" 19.3 cm	8.8" 22.5 cm	3.1" 7.9 cm

**FEATURES**

- Designed for the Getac ZX70 tablet computer and backwards compatible with the Getac Z710 computer
- Getac Certified utilizing Getac Certified electronics
- Cradle design accommodates rotating hand strap (sold separately)
- Designed with rounded edges to enhance personal safety
- Composite/aluminum design for reduced weight and durability
- Access to all tablet control buttons and USB port while tablet is cradled
- POGO charging connector for reliable connectivity in the most rugged environments
- Optional lock (keyed alike) for theft deterrence
- Easy to use one-handed operation:
  - Insert bottom of computer into the cradle, push top of computer against latch button until latch engages
  - To remove, push up on latch-button with thumb to disengage and pull computer out of the cradle
- VESA 75 mm mounting pattern
- MIL-STD 810G shock/vibration, RoHS, FCC, and SAE J1455 crash certifications
- 3-Year Limited Warranty

**PORT REPLICATOR**

- Getac certified electronics
- POGO charging connector

**GETAC ZX70 CHARGING CRADLE ACCESSORIES**



7300-0466

ITEM NO.	DESCRIPTION	PLACEMENT	WEIGHT	HEIGHT	WIDTH	DEPTH
7300-0441	Getac 22W Auto Power Adapter	Use with Getac ZX70 Charging Cradle	0.90 lbs 0.4 kg	7.6" 19.3 cm	8.8" 22.5 cm	3.1" 7.9 cm
7300-0466	12-32VDC Material Handling Isolated Power Adapter	Use with Getac ZX70 Charging Cradle	1.01 lbs 0.45 kg	12" 3.0 cm	2.5" 6.3 cm	5.1" 13.0 cm
7300-0467	20-60VDC Material Handling Isolated Power Adapter	Use with Getac ZX70 Charging Cradle	1.01 lbs 0.45 kg	12" 3.0 cm	2.5" 6.3 cm	5.1" 13.0 cm

**PANASONIC TOUGHBOOK® A3 TABLET DOCKING STATION**

ITEM NO.	DESCRIPTION	POWER SUPPLY	WEIGHT	HEIGHT	WIDTH	DEPTH
7160-1416-00	Panasonic Toughbook A3 Tablet Docking Station (NO RF)	<b>No</b> - Use LIND Power Supply (7300-0460)	2.15 lbs 0.98 kg	10.28" 26.11 cm	11.33" 28.78 cm	4.59" 11.66 cm
7160-1416-02	Panasonic Toughbook A3 Tablet Docking Station (DUAL RF)	<b>No</b> - Use LIND Power Supply (7300-0460)	2.15 lbs 0.98 kg	10.28" 26.11 cm	11.33" 28.78 cm	4.59" 11.66 cm
7170-0832-00	Panasonic Toughbook A3 Tablet Docking Station (NO RF) with LIND 90W Auto Power Adapter	<b>Yes</b> - Includes LIND Auto Power Supply	3.37 lbs 1.52 kg	10.28" 26.11 cm	11.33" 28.78 cm	4.59" 11.66 cm
7170-0832-02	Panasonic Toughbook A3 Tablet Docking Station (DUAL RF) with LIND 90W Auto Power Adapter	<b>Yes</b> - Includes LIND Auto Power Supply	3.37 lbs 1.52 kg	10.28" 26.11 cm	11.33" 28.78 cm	4.59" 11.66 cm



7170-1416-02

**FEATURES**

- Compatible with the Panasonic Toughbook A3 tablet computer
- Panasonic Toughbook Certified utilizing Panasonic Certified electronics
- Docking station design accommodates the A3 tablet hand strap with the extended battery
- Tablet control buttons and ports are easily accessible while the tablet is docked
- Downward-facing I/O ports for integrated cable strain relief and cable management system
- Optional dual RF antenna pass through for reliable connectivity
- Designed with rounded edges to enhance personal safety
- Keyed lock for theft deterrence
- Easy to use one-handed operation:
  - Insert bottom of computer into the docking station, push top of computer against latch button until latch engages to secure device
  - To undock and remove, push up on latch-button with thumb to disengage and pull device out of the docking station
- VESA 75 mm mounting pattern
- MIL-STD 810G shock/vibration, RoHS, FCC, CE, and SAE J1455 crash certifications
- 3-Year Limited Warranty

**PORT REPLICATOR**

- Fully Powered USB 2.0 (2)
- Ethernet (1)
- Power Input
- External Antenna Switch

**PANASONIC TOUGHBOOK® A3 TABLET CRADLE**

ITEM NO.	DESCRIPTION	POWER SUPPLY	WEIGHT	HEIGHT	WIDTH	DEPTH
7160-1417-00	Panasonic Toughbook A3 Tablet Cradle (No electronics, NO RF)	<b>No</b> - Use LIND Power Supply (7300-0460)	2.0 lbs .90 kg	10.28" 26.11 cm	11.33" 28.78 cm	4.59" 11.66 cm
7170-0833-00	Panasonic Toughbook A3 Tablet Cradle (NO RF) with LIND 90W Auto Power Adapter	<b>Yes</b> - Includes LIND Auto Power Supply	3.22 lbs 1.46 kg	10.28" 26.11 cm	11.33" 28.78 cm	4.59" 11.66 cm



7160-1417-00

**FEATURES**

- Compatible with the Panasonic Toughbook A3 tablet computer
- Panasonic Toughbook Certified
- Cradle design accommodates the A3 tablet hand strap with the extended battery
- Tablet control buttons and ports are easily accessible while the tablet is docked
- Downward-facing I/O ports for integrated cable strain relief and cable management system
- Designed with rounded edges to enhance personal safety
- Keyed lock for theft deterrence
- Easy to use one-handed operation:
  - Insert bottom of computer into the cradle, push top of computer against latch button until latch engages to secure device
  - To undock and remove, push up on latch-button with thumb to disengage and pull device out of the cradle
- VESA 75 mm mounting pattern
- MIL-STD 810G shock/vibration, RoHS, FCC, CE, and SAE J1455 crash certifications
- 3-Year Limited Warranty

**PANASONIC TOUGHBOOK® A3 TABLET DOCKING STATION ACCESSORIES**



7300-0460

ITEM NO.	DESCRIPTION	PLACEMENT/COMPATIBILITY	WEIGHT	HEIGHT	WIDTH	DEPTH
7300-0460	LIND Automotive 90W Power Adapter with Bare Wire Lead	Use for the Panasonic Toughbook A3 Docking Station or Cradle	1.22 lbs 0.55 kg	"1.2" 3.04 cm	2.6" 6.6 cm	5.1" 12.95 cm
7160-0454	Universal Adapter Bracket	Attaches between the back of the Panasonic	1.5 lbs 0.7 kg	5.0" 12.7 cm	10.0" 25.4 cm	1.3" 3.3 cm
7160-0950	10" Universal Tablet Protective Cover	Use with Panasonic A3 Tablet Docking Station	0.4 lbs 0.18 kg	15.0" 38.1 cm	13.0" 33.0 cm	4.0" 10.2 cm
7160-0539	LIND Power Adapter Mount	Attaches a LIND Power Adapter between the back of the Panasonic A3 Docking Station and any Gamber-Johnson Motion Attachment	0.9 lbs 0.1 kg	1.0" 2.5 cm	5.0" 12.7 cm	5.0" 12.7 cm
7160-0982	Thermal Tablet Protective Cover	Use with Panasonic Toughbook A3 Docking Stations and Cradles	1.15 lbs. 0.52 kg	14.25" 36.2 cm	12.75" 32.4 cm	3.5" 8.9 cm

**PANASONIC TOUGHBOOK® 20/G2 LAPTOP DOCKING STATIONS**



7160-1265-02

ITEM NO.	ANTENNA PASS-THROUGH	POWER SUPPLY	WEIGHT	HEIGHT	WIDTH	DEPTH
7160-1265-00	No RF	No - Use LIND Power Supply (7300-0460)	5.0 lbs 2.3 kg	2.5" 6.5 cm	11.6" 29.5 cm	12.1" 30.7 cm
7160-1265-02	Dual RF (TNC)	No - Use LIND Power Supply (7300-0460)	5.0 lbs 2.3 kg	2.5" 6.5 cm	11.6" 29.5 cm	12.1" 30.7 cm
7170-0681-00	No RF	Yes - Includes LIND Auto Power Supply	6.2 lbs 2.8 kg	2.5" 6.5 cm	11.6" 29.5 cm	12.1" 30.7 cm
7170-0681-02	Dual RF (TNC)	Yes - Includes LIND Auto Power Supply	6.2 lbs 2.8 kg	2.5" 6.5 cm	11.6" 29.5 cm	12.1" 30.7 cm

**FEATURES**

- Designed for the Panasonic Toughbook 20/G2 2-in-1 notebook computers
- Panasonic Toughbook Certified utilizing Panasonic Certified electronics
- Spring-loaded cover protects docking connector when computer is not docked, automatic retracts for superior protection
- Special docking connector pin protection – helps to prevent pin damage by providing additional protection around and in between each docking pin
- Composite design for reduced weight and durability
- Designed with rounded edges to enhance personal safety
- Rear-facing I/O ports; integrated cable strain relief and cable management system
- Access to all notebook control buttons and ports while the notebook is docked
- Floating docking connector for reliable connectivity in the most rugged environments
- Optional lock for theft deterrence
- VESA 75 mm mounting pattern
- MIL-STD 810G shock/vibration, RoHS, FCC, and SAE J1455 crash certifications
- 3-Year Limited Warranty

**PORT REPLICATOR**

- Panasonic certified electronics
- Ethernet (1) RJ4
- Serial (1) D-Sub 9 Pin
- USB 3.0 (2) 9 Pin
- VGA (1) D-Sub 15 Pin
- HDMI (1) 19 Pin
- RF Pass Through (optional) Dual RF (TNC)
- Power Input: 16 VDC



**PANASONIC TOUGHBOOK® 20/G2 LAPTOP CRADLE (NO ELECTRONICS)**

ITEM NO.	ANTENNA PASS-THROUGH	POWER SUPPLY	WEIGHT	HEIGHT	WIDTH	DEPTH
<b>7160-1265-10</b>	No RF	<b>No</b> - Use LIND Power Supply (7300-0460)	5.0 lbs 2.3 kg	2.5" 6.5 cm	11.6" 29.5 cm	12.1" 30.7 cm



**FEATURES**

- Designed for the Panasonic Toughbook 20/G2 2-in-1 notebook computers
- Panasonic Toughbook Certified
- Composite design for reduced weight and durability
- Designed with rounded edges to enhance personal safety
- Access to all notebook control buttons and ports while the notebook is docked
- Optional lock for theft deterrence
- VESA 75 mm mounting pattern
- MIL-STD 810G shock/vibration, RoHS, FCC, and SAE J1455 crash certifications
- 3-Year Limited Warranty

**PANASONIC TOUGHBOOK® 20/G2 DOCKING STATION ACCESSORIES**

ITEM NO.	DESCRIPTION	PLACEMENT	WEIGHT	HEIGHT	WIDTH	DEPTH
<b>7300-0460</b>	LIND 90W Auto Power Adapter with Bare Wire Lead	Use for the Panasonic Toughbook 20 Docking Station or Cradle	1.22 lbs 0.55 kg	1.2" 3.04 cm	2.6" 6.6 cm	5.1" 12.95 cm
<b>7300-0459</b>	LIND 90W Auto Power Adapter with Cigarette Lighter Connector	Use for the Panasonic Toughbook 20 Docking Station or Cradle	0.85 lbs 0.38 kg	1.1" 2.79 cm	3.1" 7.8 cm	5.4" 13.7 cm
<b>7110-1275</b>	Screen Support	Attaches to the side of the Toughbook 20 Docking Station or Cradle	0.40 lbs 0.18 kg	8" 20.3 cm	1.5" 3.8 cm	3.25" 8.2 cm



7110-1275

**PANASONIC TOUGHBOOK® 20 TRIMLINE™ LAPTOP CRADLE (NO ELECTRONICS)**

ITEM NO.	ANTENNA PASS-THROUGH	POWER SUPPLY	WEIGHT	HEIGHT	WIDTH	DEPTH
<b>7300-0190-00</b>	No RF	<b>No</b> - Use LIND Power Adapter (7300-0194)	5.0 lbs 2.2 kg	2.5" 5.6 cm	11.4" 28.96 cm	10.4" 26.4 cm
<b>7300-0190-10</b>	No RF	<b>Yes</b> - Includes LIND Power Adapter	6.4 lbs 2.9 kg	2.5" 5.6 cm	11.4" 28.96 cm	10.4" 26.4 cm



7300-0190-10

**FEATURES**

- Designed for the Panasonic Toughbook 20 2-in-1 notebook computer
- Panasonic Toughbook Certified
- CNC machined aluminum construction for rugged reliability
- Space saving and ergonomic design improves safety and comfort
- Patented optional screen lock/support arm prevents theft and reduces device wear and tear
- Integrated cable strain relief
- Keyed lock for theft deterrence
- Available with power indicator light when purchased with power supply
- Optional dual RF antenna pass through for reliable connectivity
- Forward facing release and locking mechanism for easy one handed operation:
  - To dock: Position front hooks on the docking station into the front pockets on the keyboard
  - Push down on back of computer until audible click is heard. Computer is docked.
  - To release: Disengage lock. Push front release button and rotate back of computer up and away from the dock
- VESA 75 mm mounting pattern
- MIL-STD 810G shock/vibration, RoHS, FCC, and SAE J1455 crash certifications
- Limited Lifetime Warranty on structural components

**PANASONIC TOUGHBOOK® 20 TRIMLINE™ LAPTOP DOCKING STATION**



7300-0191-22

ITEM NO.	ANTENNA PASS-THROUGH	POWER SUPPLY	WEIGHT	HEIGHT	WIDTH	DEPTH
7300-0191-00	No RF	<b>No</b> - Use LIND Power Adapter (7300-0194)	5.2 lbs 2.3 kg	2.5" 5.6 cm	11.4" 28.96 cm	10.4" 26.4 cm
7300-0191-10	No RF	<b>Yes</b> -Includes LIND Power Adapter	6.6 lbs 3 kg	2.5" 5.6 cm	11.4" 28.96 cm	10.4" 26.4 cm
7300-0191-02	Dual RF (TNC)	<b>No</b> - Use LIND Power Adapter (7300-0194)	5.2 lbs 2.3 kg	2.5" 5.6 cm	11.4" 28.96 cm	10.4" 26.4 cm
7300-0191-12	Dual RF (TNC)	<b>Yes</b> - Includes LIND Power Adapter	6.6 lbs 3 kg	2.5" 5.6 cm	11.4" 28.96 cm	10.1" 25.6 cm
7300-0191-20	No RF	<b>No</b> - Use LIND Power Adapter (7300-0194) - Includes Screen Lock Arm	6.8 lbs 3 kg	4.9" 12.4 cm	12.3" 31.2 cm	10.1" 25.6 cm
7300-0191-30	No RF	<b>Yes</b> - Includes LIND Power Adapter and Screen Lock Arm	8.2 lbs 3.7 kg	4.9" 12.4 cm	12.3" 31.2 cm	10.1" 25.6 cm
7300-0191-22	Dual RF (TNC)	<b>No</b> - Use LIND Power Adapter (7300-0194) - Includes Screen Lock Arm	6.8 lbs 3 kg	4.9" 12.4 cm	12.3" 31.2 cm	10.1" 25.6 cm
7300-0191-32	Dual RF (TNC)	<b>Yes</b> - Includes LIND Power Adapter and Screen Lock Arm	8.2 lbs 3.7 kg	4.9" 12.4 cm	12.3" 31.2 cm	10.1" 25.6 cm

**FEATURES**

- Designed for the Panasonic Toughbook 20 2-in-1 notebook computer and G2 tablets with attachable keyboards and without the optional Screen Lock Arm
- Panasonic Toughbook Certified utilizing Panasonic Certified electronics
- CNC machined aluminum construction for rugged reliability
- Space saving and ergonomic design improves safety and comfort
- Patented optional screen lock/support arm prevents theft and reduces device wear and tear
- Integrated docking connector protection and safe guards reduce potential of device damage
- Integrated cable strain relief
- Keyed lock for theft deterrence
- Available with power indicator light when purchased with power supply
- Optional dual RF antenna pass through for reliable connectivity
- Forward facing release and locking mechanism for easy one handed operation:
  - To dock: Position front hooks on the docking station into the front pockets on the keyboard
  - Push down on back of computer until audible click is heard. Computer is docked.
  - To release: Disengage lock. Push front release button and rotate back of computer up and away from the dock
- VESA 75 mm mounting pattern
- MIL-STD 810G shock/vibration, RoHS, FCC, and SAE J1455 crash certifications
- Limited Lifetime Warranty on structural components, 3-Year Limited Warranty on electronics

**PORT REPLICATOR**

- Panasonic certified electronics
- Ethernet (1) RJ45
- Serial (1) D-Sub 9 Pin
- USB 3.0 (2) 9 Pin
- VGA (1) D-Sub 15 Pin
- HDMI (1) 19 Pin
- RF Pass Through (optional) Dual RF (TNC)
- Power Input: 16 VDC

**PANASONIC TOUGHBOOK® 20 TRIMLINE™ DOCKING STATION ACCESSORIES**

ITEM NO.	DESCRIPTION	PLACEMENT	WEIGHT	HEIGHT	WIDTH	DEPTH
7300-0192	Toughbook 20 Screen Lock Arm	Attaches to the right side of the docking station	.5 lbs 0.2 kg	4.6" 11.6 cm	1.7" 4.3 cm	1.8" 4.5 cm
7300-0193	Vertical Wall Mount Bracket	Use on a vertical flat surface	2.1 lbs 1 kg	4.1" 10.4 cm	11.9" 30.2 cm	11.1" 28.1 cm
7300-0194	LIND Power Supply with LED	Use with Toughbook 20 Docking Station	1.4 lbs 0.6 kg	1.1" 2.7 cm	3.1" 7.8 cm	5.5" 13.9 cm



7300-0192



7300-0194

**PANASONIC TOUGHPAD® FZ-G1/G2 DOCKING STATION**

ITEM NO.	ANTENNA PASS-THROUGH	POWER SUPPLY	WEIGHT	HEIGHT	WIDTH	DEPTH
7160-0487-00	No	<b>No</b> - Must use External LIND Auto Adapter (7300-0460)	2.5 lbs 1.1 kg	9.1" 23.1 cm	11.2" 28.4 cm	3.8" 9.7 cm
7160-0487-02	Dual RF (TNC)	<b>No</b> - Must use External LIND Auto Adapter (7300-0460)	2.5 lbs 1.1 kg	9.1" 23.1 cm	11.2" 28.4 cm	3.8" 9.7 cm



7160-0487-02



**FEATURES**

- Designed for the Panasonic Toughpad FZ-G1/G2 tablet computer
- Panasonic Toughbook Certified utilizing Panasonic Certified electronics
- Accommodates extended battery, smart card reader, rear hand strap and bumper guards
- Composite design for reduced weight and durability
- Designed with rounded edges to enhance personal safety
- Top-facing I/O ports; integrated cable strain relief and cable management system
- Optional dual RF antenna pass through for reliable connectivity
- Access to all tablet control buttons and ports while the tablet is docked
- Keyed lock for theft deterrence
- VESA 75 mm mounting pattern
- MIL-STD 810G shock/vibration, RoHS, FCC, and SAE J1455 crash certifications
- 3-Year Limited Warranty

**PORT REPLICATOR**

- Panasonic certified electronics
- Ethernet RJ45
- Fully powered USB 3.0 (2) 9 Pin
- Serial (1) D-Sub 9 Pin
- Video (2)
  - VGA D-Sub 15 Pin
  - HDMI 19 Pin
- RF pass-through (optional) TNC
- Power supply input DC



Ports



RF ports

**PANASONIC TOUGHPAD® FZ-G1/G2 THIN DOCKING STATION**

ITEM NO.	ANTENNA PASS-THROUGH	POWER SUPPLY	WEIGHT	HEIGHT	WIDTH	DEPTH
7160-0595-00	No	<b>No</b> - Must use External LIND Auto Adapter (7300-0460)	2.5 lbs 1.1 kg	9.3" 23.6 cm	11.2" 28.4 cm	2.6" 6.6 cm
7160-0595-02	Dual RF (TNC)	<b>No</b> - Must use External LIND Auto Adapter (7300-0460)	2.5 lbs 1.1 kg	9.3" 23.6 cm	11.2" 28.4 cm	2.6" 6.6 cm



7160-0595-00

**FEATURES**

- Designed for the Panasonic Toughpad FZ-G1/G2 tablet computer
- Panasonic Toughbook Certified utilizing Panasonic Certified electronics
- Docking Station is designed to perfectly fit the G1/G2 tablet without extra accessories
- Composite design for reduced weight and durability
- Designed with rounded edges to enhance personal safety
- Top-facing I/O ports; integrated cable strain relief and cable management system
- Optional dual RF antenna pass through for reliable connectivity
- Access to all tablet control buttons and ports while the tablet is docked
- Keyed lock for theft deterrence
- VESA 75 mm mounting pattern
- MIL-STD 810G shock/vibration, RoHS, FCC, CE, TUV, E-Mark and SAE J1455 crash certifications
- 3-Year Limited Warranty

**PORT REPLICATOR**

- Panasonic certified electronics
- Ethernet RJ45
- Fully powered USB 3.0 (2) 9 Pin
- Serial (1) D-Sub 9 Pin
- Video (2)
  - VGA D-Sub 15 Pin
  - HDMI 19 Pin
- RF pass-through (optional) TNC
- Power supply input DC



Ports



RF ports



7160-0595-02  
Side View

**PANASONIC TOUGHPAD® FZ-G1/G2 CRADLE**



ITEM NO.	POWER SUPPLY	WEIGHT	HEIGHT	WIDTH	DEPTH
<b>7160-0490-00</b>	<b>No</b> - Must use External LIND Auto Adapter (7300-0460)	2.5 lbs 1.1 kg	9.1" 23.1 cm	11.2" 28.4 cm	3.8" 9.7 cm

**FEATURES**

- Designed for the Panasonic Toughpad FZ-G1/G2 tablet computer
- Panasonic Toughbook Certified
- Accommodates extended battery, smart card reader, rear hand strap and bumper guards
- Access to all tablet control buttons and ports while the tablet is cradled
- Composite design for reduced weight and durability
- Designed with rounded edges to enhance personal safety
- Keyed lock for theft deterrence
- VESA 75 mm mounting pattern
- MIL-STD 810G shock/vibration, RoHS, FCC, and SAE J1455 crash certifications
- Limited Lifetime Warranty

**PANASONIC TOUGHPAD® FZ-G1/G2 THIN TABLET CRADLE**



ITEM NO.	DESCRIPTION	POWER SUPPLY	WEIGHT	HEIGHT	WIDTH	DEPTH
<b>7160-0759-00</b>	Panasonic Toughpad FZ-G1/G2 THIN Tablet Cradle (No Electronics, NO RF)	<b>No</b> - Use LIND Power Supply (7300-0460)	2.3 lbs 1.04 kg	9.3" 23.6 cm	11.2" 28.4 cm	2.6" 6.6 cm

**FEATURES**

- Designed for the Panasonic Toughpad FZ-G1 tablet computer
- Panasonic Toughbook Certified utilizing Panasonic Certified electronics
- Cradle is designed to perfectly fit the G1/G2 tablet and does not accommodate extra accessories
- Access to all tablet control buttons and ports while the tablet is cradled
- Composite design for reduced weight and durability
- Designed with rounded edges to enhance personal safety
- Keyed alike lock for theft deterrence
- Easy to use one-handed operation:
  - Insert bottom of computer into the cradle, push top of computer against latch button until latch engages to secure device
  - To remove, push up on latch-button with thumb to disengage and pull device out of the cradle
- VESA 75 mm mounting pattern
- MIL-STD 810G shock/vibration, RoHS, FCC, CE, TUV, E-Mark and SAE J1455 crash certifications
- 3-Year Limited Warranty

**PANASONIC TOUGHBOOK® G2 TRIMLINE TABLET DOCKING STATION\***

\*EXCLUSIVELY AVAILABLE for purchase only through Panasonic US



ITEM NO.	DESCRIPTION	POWER SUPPLY	WEIGHT	HEIGHT	WIDTH	DEPTH
<b>7300-0638</b>	Panasonic Toughbook G2 TrimLine Tablet Docking Station, NO RF	<b>No</b>	4.60- 4.95 lbs	8.99 in	11.20 in	3.79 in
<b>7300-0642</b>	Panasonic Toughbook G2 TrimLine Tablet Docking Station, NO RF with LIND Auto Power Adapter	<b>Yes</b>				
<b>7300-0646</b>	Panasonic Toughbook G2 TrimLine Tablet Docking Station, DUAL RF	<b>No</b>				
<b>7300-0650</b>	Panasonic Toughbook G2 TrimLine Tablet Docking Station, DUAL RF with LIND Auto Power Adapter	<b>Yes</b>				
<b>7300-0653</b>	Panasonic Toughbook G2 TrimLine Tablet Cradle (No electronics)	<b>No</b>				
<b>7300-0655</b>	Panasonic Toughbook G2 TrimLine Tablet Cradle (No electronics) with LIND Auto Power Adapter	<b>Yes</b>				

**FEATURES**

- CNC machined aluminum construction for ultimate rugged performance
- Genuine Panasonic electronics for maximum reliability
- Floating connector pin design for maximum connectivity responsiveness
- Ergonomic design for safety and usability
- Universal VESA 75 mounting pattern
- Low profile footprint for increased usable cabin space
- Key lockable for added theft deterrence
- Top facing ports with integrated cable management
- One handed operation\
- Slots for device cooling fan ventilation
- Compatible with Panasonic TOUGHBOOK G2 tablets
- 3 year limited warranty

**PORT REPLICATOR\***

- 1 x RJ45 Ethernet (Gigabit) VLAN
- 2 x HDMI
- 2 x USB 3.2 5Gbps Type A (rear)
- 1 x RS 232 (Serial)
- 2 x USB 2.0 Type A (rear)
- 15 VDC Input
- 2 x USB 2.0 Type A (front)
- 2 x RF Pass Through (SMA)\*

\*Optional

**PANASONIC TOUGHPAD® FZ-G1/G2 CRADLE AND DOCKING STATION ACCESSORIES**

ITEM NO.	DESCRIPTION	PLACEMENT	WEIGHT	HEIGHT	WIDTH	DEPTH
7160-0454	Universal Adapter Bracket	Attaches between the back of the Panasonic Toughpad FZ-G1/G2 Docking Stations or Cradles and any Gamber-Johnson Motion Attachment	0.9 lbs 0.1 kg	1.0" 2.5 cm	5.0" 12.7 cm	5.0" 12.7 cm
7160-0539	LIND Power Supply Mount	Attaches a LIND Power Supply between a Docking Station/Cradle and the Motion Attachment	1.5 lbs 0.7 kg	5.0" 12.7 cm	10.0" 25.4 cm	1.3" 3.3 cm
7160-0950	10" Universal Tablet Protective Cover	Use with Panasonic G1/G2 Tablet Docking Station or Cradle	0.4 lbs 0.18 kg	15.0" 38.1 cm	13.0" 33.0 cm	4.0" 10.2 cm
7300-0459	External LIND Automobile Cigarette Power Adapter (Toughpad FZ-G1/G2)	For use with the TabCruzer for Panasonic Toughpad FZ-G1/G2 Docking Stations and Cradles	0.9 lbs 0.4 kg	1.1" 2.8 cm	5.4" 13.7 cm	3.1" 7.9 cm
7300-0460	External LIND Automobile Bare Wire Leads Power Adapter (Toughpad FZ-G1/G2)	For use with the TabCruzer for Panasonic Toughpad FZ-G1/G2 Docking Stations and Cradles	1.2 lbs 0.5 kg	1.0" 2.5 cm	5.0" 12.7 cm	3.0" 7.6 cm
7160-0982	Thermal Tablet Protective Cover	Use with Panasonic FZ-G1/G2 Docking Stations and Cradles	1.15 lbs. 0.52 kg	14.25" 36.2 cm	12.75" 32.4 cm	3.5" 8.9 cm

**PANASONIC TOUGHBOOK® L1/S1 TABLET DOCKING STATION**

ITEM NO.	DESCRIPTION	POWER SUPPLY	WEIGHT	HEIGHT	WIDTH	DEPTH
7160-1314-00	Panasonic Toughbook L1/S1 (NO RF) Tablet Docking Station -THICK Model	<b>No</b> - Use LIND Power Adapter (7300-0443 or 7300-0444)	1.5 lbs 0.68 kg	7.21" 18.31 cm	7.97" 20.24 cm	3.55" 9.0 cm
7160-1314-02	Panasonic Toughbook L1/S1 (DUAL RF) Tablet Docking Station - THICK Model	<b>No</b> - Use LIND Power Adapter (7300-0443 or 7300-0444)	1.5 lbs 0.68 kg	7.21" 18.31 cm	7.97" 20.24 cm	3.55" 9.0 cm
7160-1314-10	Panasonic Toughbook L1/S1 (NO RF) Tablet Docking Station - THIN Model	<b>No</b> - Use LIND Power Adapter (7300-0443 or 7300-0444)	1.5 lbs 0.68 kg	7.21" 18.31 cm	7.97" 20.24 cm	3.03" 7.69 cm
7160-1314-12	Panasonic Toughbook L1/S1 (DUAL RF) Tablet Docking Station - THIN Model	<b>No</b> - Use LIND Power Adapter (7300-0443 or 7300-0444)	1.5 lbs 0.68 kg	7.21" 18.31 cm	7.97" 20.24 cm	3.03" 7.69 cm
7170-0755-00	Panasonic Toughbook L1/S1 (NO RF) Tablet Docking Station -THICK Model with LIND Auto Power Adapter	<b>Yes</b> - Includes LIND Auto Power Supply (7300-0443)	2.2 lbs 0.99 kg	7.21" 18.31 cm	7.97" 20.24 cm	3.55" 9.0 cm
7170-0755-02	Panasonic Toughbook L1/S1 (DUAL RF) Tablet Docking Station - THICK Model with LIND Auto Power Adapter	<b>Yes</b> - Includes LIND Auto Power Supply (7300-0443)	2.2 lbs 0.99 kg	7.21" 18.31 cm	7.97" 20.24 cm	3.55" 9.0 cm
7170-0755-10	Panasonic Toughbook L1/S1 (NO RF) Tablet Docking Station - THIN Model with LIND Auto Power Adapter	<b>Yes</b> - Includes LIND Auto Power Supply (7300-0443)	2.2 lbs 0.99 kg	7.21" 18.31 cm	7.97" 20.24 cm	3.03" 7.69 cm
7170-0755-12	Panasonic Toughbook L1/S1 (DUAL RF) Tablet Docking Station - THIN Model with LIND Auto Power Adapter	<b>Yes</b> - Includes LIND Auto Power Supply (7300-0443)	2.2 lbs 0.99 kg	7.21" 18.31 cm	7.97" 20.24 cm	3.03" 7.69 cm



7160-1314-00

**FEATURES**

- Compatible with the Panasonic Toughbook L1/S1 tablet computer
- Panasonic Toughbook Certified utilizing Panasonic Certified electronics
- The THICK model is designed to accommodate the L1/S1 tablet's rotating hand strap, large battery, and bar code reader (sold separately)
- Downward-facing I/O ports for integrated cable strain relief and cable management system
- Dual RF antenna pass through for reliable connectivity (optional)
- Access to all tablet control buttons and ports while tablet is docked
- Designed with rounded edges to enhance personal safety
- Keyed lock for theft deterrence
- Easy to use one-handed operation:
  - Insert bottom of handheld into the cradle, push top of the handheld against latch button until latch engages to secure device
  - To undock and remove, push up on latch-button with thumb to disengage and pull device out of the cradle
- AMPS and VESA 75 mm mounting pattern
- MIL-STD 810G shock/vibration, RoHS, FCC, CE, and SAE J1455 crash certifications
- 3-Year Limited Warranty

**PORT REPLICATOR**

- Power input DC 5V 2.0A
- USB 2.0 (1) 500mA
- External antenna switch
- Optional RF (TNC)

**PANASONIC TOUGHBOOK® L1/S1 TABLET CRADLE**



7160-1314-04

ITEM NO.	DESCRIPTION	POWER SUPPLY	WEIGHT	HEIGHT	WIDTH	DEPTH
<b>7160-1314-04</b>	Panasonic Toughbook L1/S1 Cradle (No Electronics) - THICK Model	<b>No</b> - Use LIND Power Adapter (7300-0443 or 7300-0444)	1.4 lbs 0.63 kg	7.21" 18.31 cm	7.97" 20.24 cm	3.55" 9.0 cm
<b>7160-1314-14</b>	Panasonic Toughbook L1/S1 Cradle (No Electronics) – THIN Model	<b>No</b> - Use LIND Power Adapter (7300-0443 or 7300-0444)	1.4 lbs 0.63 kg	7.21" 18.31 cm	7.97" 20.24 cm	3.03" 7.69 cm

**FEATURES**

- Compatible with the Panasonic Toughbook L1/S1 tablet computer
- Panasonic Toughbook Certified
- The THICK model is designed to accommodate the L1/S1 tablet's rotating hand strap, large battery, and bar code reader (sold separately)
- Access to all tablet control buttons and ports while tablet is docked
- Designed with rounded edges to enhance personal safety
- Keyed lock for theft deterrence
- Easy to use one-handed operation:
  - Insert bottom of computer into the cradle, push top of computer against latch button until latch engages to secure device
  - To undock and remove, push up on latch-button with thumb to disengage and pull device out of the cradle
- AMPS and VESA 75mm mounting pattern
- MIL-STD 810G shock/vibration, RoHS, FCC, CE, and SAE J1455 crash certifications
- 3-Year Limited Warranty

**PANASONIC TOUGHBOOK® L1/S1 TABLET DOCKING STATION ACCESSORIES**



7400-0023



7300-0444

ITEM NO.	DESCRIPTION	PLACEMENT/COMPATIBILITY	WEIGHT	HEIGHT	WIDTH	DEPTH
<b>7400-0023</b>	Panasonic Toughbook L1/S1 Enhanced Hand Strap	Attaches to the back of the L1/S1 Tablet	0.6 oz.	6.5"-10.5" 16.5-26.6 cm	1" 2.54 cm	.37" .95 cm
<b>7300-0443</b>	LIND Automotive Power Adapter with Bare Wire Lead; 12-32V input, Output Voltage 5VDC, Output Current 2 AMPS to Barrel Connector Plug	Use for the Panasonic Toughbook L1/S1 Docking Station or Cradle	0.7 lbs 0.31 kg	0.9" 2.28 cm	1.7" 4.3 cm	3.7" 9.3 cm
<b>7300-0444</b>	LIND Automotive Power Adapter with Cigarette Adapter Connection; 12-32V Input, Output Voltage 5VDC, Output Current to Barrel Connector Plug	Use for the Panasonic Toughbook L1/S1 Docking Station or Cradle	0.7 lbs 0.31 kg	0.9" 2.28 cm	1.7" 4.3 cm	3.7" 9.3 cm
<b>7160-0949</b>	8" Universal Tablet Protective Cover	Use with Panasonic Toughbook L1/S1 Tablet Docking Station	0.4 lbs 0.18 kg	12.5" 31.8 cm	10.5" 26.7 cm	3.5" 8.9 cm
<b>7160-0981</b>	Thermal Tablet Protective Cover	Use with Panasonic L1/S1 Tablet Docking Stations and Cradles	0.95 lbs. 0.43 kg	13.5" 34.3 cm	11.25" 28.6 cm	3.25" 8.3 cm

**PANASONIC TOUGHBOOK® N1 RUGGED HANDHELD CRADLE**



7160-0900-00

ITEM NO.	DESCRIPTION	WEIGHT	HEIGHT	WIDTH	DEPTH
<b>7160-0900-00</b>	Charging Cradle, No RF	0.7 lbs 0.3 kg	7.5" 19.1 cm	4.5" 11.4 cm	3.5" 8.9 cm
<b>7160-0901-00</b>	Cradle (No Electronics), No RF	0.7 lbs 0.3 kg	7.5" 19.1 cm	4.5" 11.4 cm	3.5" 8.9 cm

**FEATURES**

- Designed for the Panasonic Toughbook N1 rugged handheld computer
- Panasonic Toughbook Certified utilizing Panasonic Certified electronics
- Cradle accommodates the N1 extended battery or hand strap (sold separately by Panasonic)
- Access to all computer control buttons and ports while the handheld is cradled
- Designed with rounded edges to enhance personal safety
- Composite design for reduced weight and durability
- Keyed lock for theft deterrence
- Compatible with LIND power adapter 7300-0460
- AMPS mounting pattern
- MIL-STD 810G shock/vibration, RoHS, FCC, and SAE J1455 crash certifications
- 3-Year Limited Warranty



**PANASONIC TOUGHBOOK® N1 POWERED CRADLE ACCESSORIES**

ITEM NO.	DESCRIPTION	Placement	TILT	SWIVEL	WEIGHT	HEIGHT	WIDTH	DEPTH
7170-0156	Zirkona Mounting Solution Includes Medium Joiner (7110-1235), 4" Extension (14142), Thread Adapter (14145), and Two Round Plates (14144)	Attaches to the back of the Panasonic Toughbook N1 Powered Cradle using the AMPs mounting pattern	Yes	Yes	1.1 lbs 0.5 kg	9.6" 24.4 cm	3.4" 8.6 cm	2.4" 6.1 cm
7300-0460	External LIND Automobile Bare Wire Leads Power Adapter	Use with the Panasonic Toughbook N1 Computer	NA	NA	1.2 lbs 0.5 kg	1.0" 2.5 cm	5.0" 12.7 cm	3.0" 7.6 cm
7160-0993	Zirkona Medium Joiner (7110-1235) with Two Round Mounting Plates (14144)	Attaches to the back of the Panasonic Toughbook N1 using the AMPs mounting pattern	Yes	Yes	0.63 lbs 0.28 kg	4.7" 11.9 cm	2.2" 5.5 cm	2.2" 5.5 cm



7170-0156

**PANASONIC TOUGHBOOK® T1 HANDHELD CHARGING CRADLE**

ITEM NO.	DESCRIPTION	POWER SUPPLY	WEIGHT	HEIGHT	WIDTH	DEPTH
7160-1275-21	Panasonic Toughbook T1 Handheld Charging Cradle	<b>No</b> - Use LIND Power Supply (7300-0445)	.6 lbs .27 kg	7.37" 18.6 cm	3.4" 8.6 cm	1.7" 4.3 cm
7170-0761-21	Panasonic Toughbook T1 Handheld Charging Cradle with LIND Auto Power Adapter	<b>Yes</b> - Includes LIND Auto Power Supply	1.3 lbs .58 kg	7.37" 18.6 cm	3.4" 8.6 cm	1.7" 4.3 cm



7160-1275-21

**FEATURES**

- Compatible with the Panasonic Toughbook T1 Handheld computer
- Panasonic Toughbook Certified utilizing Panasonic Certified electronics
- Cradle design accommodates the T1 Handheld's stylus tether and large battery
- Access to all handheld control buttons and ports while the handheld is cradled
- Designed with rounded edges to enhance personal safety
- Keyed lock for theft deterrence
- Easy to use one-handed operation:
  - Insert bottom of handheld into the cradle, push top of the handheld against latch button until latch engages to secure device
  - To undock and remove, push up on latch-button with thumb to disengage and pull device out of the cradle
- AMPS mounting pattern
- MIL-STD 810G shock/vibration, RoHS, FCC, CE, and SAE J1455 crash certifications
- 3-Year Limited Warranty

**PORT REPLICATION**

- Micro USB power connection port

**PANASONIC TOUGHBOOK® T1 HANDHELD CRADLE**

ITEM NO.	DESCRIPTION	POWER SUPPLY	WEIGHT	HEIGHT	WIDTH	DEPTH
7160-1275-20	Panasonic Toughbook T1 Handheld Cradle (No Electronics)	<b>No</b> - Use LIND Power Supply (7300-0445)	.6 lbs .27 kg	7.37" 18.6 cm	3.4" 8.6 cm	1.7" 4.3 cm



7160-1275-20

**FEATURES**

- Compatible with the Panasonic Toughbook T1 Handheld computer
- Panasonic Toughbook Certified
- Cradle design accommodates the T1 Handheld's stylus tether and large battery
- Access to all handheld control buttons and ports while the handheld is cradled
- Designed with rounded edges to enhance personal safety
- Keyed lock for theft deterrence
- Easy to use one-handed operation:
  - Insert bottom of handheld into the cradle, push top of the handheld against latch button until latch engages to secure device
  - To undock and remove, push up on latch-button with thumb to disengage and pull device out of the cradle
- AMPS mounting pattern
- MIL-STD 810G shock/vibration, RoHS, FCC, CE, and SAE J1455 crash certifications
- 3-Year Limited Warranty

**PANASONIC TOUGHBOOK® T1 HANDHELD CHARGING CRADLE ACCESSORIES**



7300-0445

ITEM NO.	DESCRIPTION	PLACEMENT/COMPATIBILITY	WEIGHT	HEIGHT	WIDTH	DEPTH
7300-0445	LIND Automotive Power Adapter with Bare Wire Lead; 12-32V Input, Output Voltage 5VDC, Output Current 2 Amps to Micro USB	Use for the Panasonic Toughbook T1 Cradle	.7 lbs .31 kg	.9" 2.28 cm	1.7" 4.3 cm	3.7" 9.3 cm
7300-0446	LIND Automotive Power Adapter with Cigarette Adapter Connection; 12-32V Input, Output Voltage 5VDC, Output Current 2 Amps to Micro USB	Use for the Panasonic Toughbook T1 Cradle	.7 lbs .31 kg	.9" 2.28 cm	1.7" 4.3 cm	3.7" 9.3 cm
7170-0156	Zirkona Mounting Solution (Includes Medium Joiner (7110-1235), 4" Extension (14142), Threaded Adapter (14145), and Two Round Plates (14144))	Attaches to the back of the T1 Charging Cradle using the AMPs mounting pattern	.63 lbs .28 kg	4.7" 11.9 cm	2.2" 5.5 cm	2.2" 5.5 cm

**PANASONIC TOUGHBOOK® 33 LAPTOP DOCKING STATION**

ITEM NO.	ANTENNA PASS-THROUGH	POWER SUPPLY	WEIGHT	HEIGHT	WIDTH	DEPTH
7160-0909-00	No	<b>No</b> - Use LIND Power Supply (7300-0461)	6.7 lbs 3.03 kg	3.5" 8.9 cm	14.1" 35.8 cm	13.5" 34.3 cm
7160-0909-02	Dual RF (TNC)	<b>No</b> - Use LIND Power Supply (7300-0461)	6.7 lbs 3.03 kg	3.5" 8.9 cm	14.1" 35.8 cm	13.5" 34.3 cm
7170-0683-00	No	<b>Yes</b> - Includes LIND Auto Power Supply	7.55 lbs 3.42 kg	3.5" 8.9 cm	14.1" 35.8 cm	13.5" 34.3 cm
7170-0683-02	Dual RF (TNC)	<b>Yes</b> - Includes LIND Auto Power Supply	7.55 lbs 3.42 kg	3.5" 8.9 cm	14.1" 35.8 cm	13.5" 34.3 cm



7160-0909-02



7160-0909-02



7160-0909-02

**FEATURES**

- Compatible only with the Panasonic Toughbook 33 with the premium keyboard option
- Panasonic Toughbook Certified utilizing Panasonic Certified electronics
- Optional dual RF antenna pass through for reliable connectivity
- Special docking connector pin protection – helps to prevent accidental pin damage by providing additional protection around and in between each docking pin
- Designed with rounded edges to enhance personal safety
- Optional lock for theft deterrence. When locked, neither the tablet nor the laptop can be removed from the docking station
- Floating docking connector with alignment tabs – perfectly align the computer with the docking station for a reliable docking connection
- Internal/protected circuit board protects against dirt and dust
- Use LIND 120W automobile power adapter (7300-0462) or LIND 120 W power adapter (7300-0461)
- VESA 75 mm mounting pattern
- MIL-STD 810G shock/vibration, RoHS, FCC, CE, and SAE J1455 crash certifications
- 3-Year Limited Warranty

**PORT REPLICATOR**

- Panasonic certified electronics
- Serial D-Sub 9-pin
- VGA (1) D-Sub 9-pin
- USB 2.0 (4) 4 Pin
- USB 3.0 (2) 9 Pin
- HDMI (1) 19 Pin
- Ethernet (2) RJ45
- Antenna switch
- Power supply input 16VDC



**PANASONIC TOUGHBOOK® 33 LAPTOP CRADLE**

ITEM NO.	ANTENNA PASS-THROUGH	POWER SUPPLY	WEIGHT	HEIGHT	WIDTH	DEPTH
7160-0910-00	No	<b>No</b> - Must use LIND 120W Automobile Power Supply (14650) or LIND 120W Bare Wire Leads Power Supply (7300-0461)	6.7 lbs 3.0 kg	3.5" 8.9 cm	14.1" 35.8 cm	13.5" 34.3 cm



**FEATURES**

- Compatible only with the Panasonic Toughbook 33 with the premium keyboard option
- Panasonic Toughbook Certified
- Optional lock for theft deterrence. When locked, neither the tablet nor the laptop can be removed from the docking station
- Designed with rounded edges to enhance personal safety
- Use LIND 120W automobile power adapter (7300-0462) or LIND 120 W power adapter (7300-0461)
- VESA 75 mm mounting pattern
- MIL-STD 810G shock/vibration, RoHS, FCC, CE, and SAE J1455 crash certifications
- 3-Year Limited Warranty



**PANASONIC TOUGHBOOK® 33 TRIMLINE™ LAPTOP DOCKING STATION**

ITEM NO.	DESCRIPTION	POWER SUPPLY	WEIGHT	HEIGHT	WIDTH	DEPTH
7300-0387-00	Panasonic Toughbook 33 TrimLine Laptop Docking Station NO RF	No - Use LIND Power Adapter (7300-0197)	7.75 lbs 3.51 kg	2.8" 7.11 cm	12.5" 31.75 cm	12" 30.48 cm
7300-0387-10	Panasonic Toughbook 33 TrimLine Laptop Docking Station NO RF with LIND Auto Power Adapter	Yes - Includes LIND Auto Power Supply	9.15 lbs. 4.15 kg	2.8" 7.11 cm	12.5" 31.75 cm	12" 30.48 cm
7300-0387-20	Panasonic Toughbook 33 TrimLine Laptop Docking Station NO RF with Screen Lock	No - Use LIND Power Adapter (7300-0197)	8.05 lbs 3.65 kg	2.8" 7.11 cm	12.5" 31.75 cm	12" 30.48 cm
7300-0387-30	Panasonic Toughbook 33 TrimLine Laptop Docking Station NO RF with Screen Lock and LIND Auto Power Adapter	Yes - Includes LIND Auto Power Supply	9.45 lbs 4.28 kg	2.8" 7.11 cm	12.5" 31.75 cm	12" 30.48 cm
7300-0387-02	Panasonic Toughbook 33 TrimLine Laptop Docking Station DUAL RF	No - Use LIND Power Adapter (7300-0197)	7.75 lbs 3.51 kg	2.8" 7.11 cm	12.5" 31.75 cm	12" 30.48 cm
7300-0387-12	Panasonic Toughbook 33 TrimLine Laptop Docking Station DUAL RF with LIND Auto Power Adapter	Yes - Includes LIND Auto Power Supply	9.15 lbs 4.15 kg	2.8" 7.11 cm	12.5" 31.75 cm	12" 30.48 cm
7300-0387-22	Panasonic Toughbook 33 TrimLine Laptop Docking Station DUAL RF with Screen Lock	No - Use LIND Power Adapter (7300-0197)	8.05 lbs 3.65 kg	2.8" 7.11 cm	12.5" 31.75 cm	12" 30.48 cm
7300-0387-32	Panasonic Toughbook 33 TrimLine Laptop Docking Station DUAL RF with Screen Lock and LIND Auto Power Adapter	Yes - Includes LIND Auto Power Supply	9.45 lbs 4.28 kg	2.8" 7.11 cm	12.5" 31.75 cm	12" 30.48 cm



7300-0387-02

**FEATURES**

- Compatible with the Panasonic Toughbook 33 2-in-1 computer
- Panasonic Toughbook Certified utilizing Panasonic Certified electronics
- Shutter cover design on connector for protection from external elements
- Docking station can be docked in both laptop and tablet orientation
- Floating connector for reliable docking connection even in the roughest terrain
- Front-facing I/O ports; integrated cable strain relief and cable management system
- Optional tablet screen lock module for added screen stability and theft deterrence
- Minimal footprint for increased usable cabin space
- Ergonomic design for safety and single hand operation
- Keyed lock for theft deterrence
- Easy docking and release:
  - To dock: Align front brackets on dock with pockets on front of computer, slowly rotate back of the computer onto docking station
  - Push down on back of computer until audible click is heard. Computer is docked.
  - To release: Disengage lock. Push front release button and rotate back of computer up and pull front of computer away from the dock.
- VESA 75 mm mounting pattern
- MIL-STD 810G shock/vibration, RoHS, FCC, CE, and SAE J1455 crash certifications
- Limited Lifetime Warranty on structural components, 3-Year Limited Warranty on electronics

**PORT REPLICATION**

- Serial
- HDMI
- VGA
- Ethernet (2)
- USB 3.0 (2) 900mA
- USB 2.0 Front-facing(2), Bottom-facing(2) 500mA
- Power Input 16VDC
- External Antenna Switch

**PANASONIC TOUGHBOOK® 33 TRIMLINE™ LAPTOP CRADLE**



7300-0386-00

ITEM NO.	DESCRIPTION	POWER SUPPLY	WEIGHT	HEIGHT	WIDTH	DEPTH
<b>7300-0386-00</b>	Panasonic Toughbook 33 TrimLine Laptop Cradle (No Electronics)	<b>No</b> - Use LIND Power Adapter (7300-0197)	6.8 lbs 3.08 kg	2.8" 7.11 cm	2.5" 31.75 cm	12" 30.48 cm
<b>7300-0386-10</b>	Panasonic Toughbook 33 TrimLine Laptop Cradle (No Electronics) with LIND Auto Power Adapter	<b>Yes</b> - Includes LIND Auto Power Supply	8.2 lbs 3.71 kg	2.8" 7.11 cm	12.5" 31.75 cm	12" 30.48 cm
<b>7300-0386-20</b>	Panasonic Toughbook 33 TrimLine Laptop Cradle (No Electronics) with Screen Lock	<b>No</b> - Use LIND Power Adapter (7300-0197)	7.1 lbs 3.22 kg	2.8" 7.11 cm	12.5" 31.75 cm	12" 30.48 cm
<b>7300-0386-30</b>	Panasonic Toughbook 33 TrimLine Laptop Cradle (No Electronics) with Screen Lock and LIND Auto Power Adapter	<b>Yes</b> - Includes LIND Auto Power Supply	8.5 lbs 3.85 kg	2.8" 7.11 cm	12.5" 31.75 cm	12" 30.48 cm

**FEATURES**

- Compatible with the Panasonic Toughbook 33 2-in-1 computer
- Panasonic Toughbook certified
- Docking station can be docked in both laptop and tablet orientation
- Optional tablet screen lock module for added screen stability and theft deterrence
- Minimal footprint for increased usable cabin space
- Ergonomic design for safety and single hand operation
- Keyed lock for theft deterrence
- Easy docking and release:
  - To dock: Align front brackets on dock with pockets on front of computer, slowly rotate back of the computer onto cradle
  - Push down on back of computer until audible click is heard. Computer is cradled.
  - To release: Disengage lock. Push front release button and rotate back of computer up and pull front of computer away from the cradle.
- VESA 75 mm mounting pattern
- MIL-STD 810G shock/vibration, RoHS, FCC, CE, and SAE J1455 crash certifications
- Limited Lifetime Warranty on structural components, 3-Year Limited Warranty on electronics

**PANASONIC TOUGHBOOK® 33 TRIMLINE™ LAPTOP DOCKING STATION ACCESSORIES**



7300-0388-00

ITEM NO.	DESCRIPTION	PLACEMENT/COMPATIBILITY	WEIGHT	HEIGHT	WIDTH	DEPTH
<b>7300-0388-00</b>	Panasonic Toughbook 33 TrimLine Laptop Dock - SCREEN LOCK MODULE	Attaches to Panasonic Toughbook 33 TrimLine Laptop Docking Station or Cradle	.80 lbs .36 kg	3.45" 8.76 cm	3.69" 9.37 cm	1.22" 3.09 cm
<b>7300-0397</b>	Panasonic Toughbook 33 TrimLine Laptop Dock - SCREEN SUPPORT	Attaches to Panasonic Toughbook 33 TrimLine Laptop Docking Station or Cradle	.4 lbs .18 kg	8" 20.32 cm	1.5" 3.81 cm	3.25" 8.26 cm
<b>7300-0197</b>	LIND 120W Automotive Power Adapter with Cigarette Lighter Adapter and Indicator Light	Use with Panasonic Toughbook TrimLine 33 Laptop and Tablet Docking Station or Cradle	1.4 lbs .64 kg	5.5" 13.97 cm	3.1" 7.87 cm	1.1" 2.79 cm

**PANASONIC TOUGHBOOK® 33 TABLET FULL PORT DOCKING STATION**

ITEM NO.	ANTENNA PASS-THROUGH	POWER SUPPLY	WEIGHT	HEIGHT	WIDTH	DEPTH
7160-0907-00	No	No - Use LIND Power Supply (7300-0461)	4.2 lbs 1.9 kg	12.5" 31.7 cm	13.25" 33.6 cm	4.5" 11.4 cm
7160-0907-02	Dual RF (TNC)	No - Use LIND Power Supply (7300-0461)	4.2 lbs 1.9 kg	12.5" 31.7 cm	13.25" 33.6 cm	4.5" 11.4 cm
7170-0684-00	No	Yes - Includes LIND Auto Power Supply	5.05 lbs 2.29 kg	12.5" 31.7 cm	13.25" 33.6 cm	4.5" 11.4 cm
7170-0684-02	Dual RF (TNC)	Yes - Includes LIND Auto Power Supply	5.05 lbs 2.29 kg	12.5" 31.7 cm	13.25" 33.6 cm	4.5" 11.4 cm



7160-0907-00



7160-0907-00

**FEATURES**

- Compatible with Panasonic 33 Toughbook
- Panasonic Toughbook Certified utilizing Panasonic Certified electronics
- Accommodates either the Toughbook 33 tablet's hand strap or an additional battery pack
- Can be mounted in horizontal or vertical position
- Internal/protected circuit board protects against dirt and dust
- Floating docking connector for reliable docking connection
- Designed with rounded edges to enhance personal safety
- Optional dual RF antenna pass through for reliable connectivity
- Optional lock for theft deterrence
- Optional cradle version (no electronics)
- Use LIND 120W automobile power adapter (7300-0462) or LIND 120 W bare wire leads power adapter (7300-0461)
- Easy to use one-handed operation:
  - Insert bottom of computer into the docking station, push top of computer against latch button until latch engages
  - To remove, push up on latch-button with thumb to disengage and pull computer out of the docking station
- VESA 75 mm mounting pattern
- MIL-STD 810G shock/vibration, RoHS, FCC, CE, and SAE J1455 crash certifications
- 3-Year Limited Warranty

**PORT REPLICATOR**

- Panasonic certified electronics
- Serial (1)                             D-Sub 9-pin
- VGA (1)                               D-Sub 9-pin
- USB 2.0 (4)                           4 Pin (2) front, (2) rear
- USB 3.0 (2)                           9 Pin
- HDMI (1)                               19 Pin
- Ethernet (2)                           RJ45
- Antenna switch
- Power supply input                   16VDC



7160-0907-06

**PANASONIC TOUGHBOOK® 33 TABLET LITE PORT DOCKING STATION**

ITEM NO.	ANTENNA PASS-THROUGH	POWER SUPPLY	WEIGHT	HEIGHT	WIDTH	DEPTH
7160-0907-06	No	<b>No</b> - Use LIND Power Supply (7300-0461)	4.2 lbs 1.9 kg	12.5" 31.7 cm	13.25" 33.6 cm	4.5" 11.4 cm
7160-0907-07	Dual RF (TNC)	<b>No</b> - Use LIND Power Supply (7300-0461)	4.2 lbs 1.9 kg	12.5" 31.7 cm	13.25" 33.6 cm	4.5" 11.4 cm
7170-0685-00	No	<b>Yes</b> - Includes LIND Auto Power Supply	5.05 lbs 2.29 kg	12.5" 31.7 cm	13.25" 33.6 cm	4.5" 11.4 cm
7170-0685-02	Dual RF (TNC)	<b>Yes</b> - Includes LIND Auto Power Supply	5.05 lbs 2.29 kg	12.5" 31.7 cm	13.25" 33.6 cm	4.5" 11.4 cm

**FEATURES**

- Compatible with Panasonic 33 Toughbook
- Panasonic Toughbook Certified utilizing Panasonic Certified electronics
- Accommodates either the Toughbook 33 tablet's hand strap or an additional battery pack
- Can be mounted in horizontal or vertical position
- Internal/protected circuit board protects against dirt and dust
- Floating docking connector for reliable docking connection
- Designed with rounded edges to enhance personal safety
- Optional dual RF antenna pass through for reliable connectivity
- Optional lock for theft deterrence
- Optional cradle version (no electronics)
- Use LIND 120W automobile power adapter (7300-0462) or LIND 120 W bare wire leads power adapter (7300-0461)
- Easy to use one-handed operation:
  - Insert bottom of computer into the docking station, push top of computer against latch button until latch engages
  - To remove, push up on latch-button with thumb to disengage and pull computer out of the docking station
- VESA 75 mm mounting pattern
- MIL-STD 810G shock/vibration, RoHS, FCC, CE, and SAE J1455 crash certifications
- 3-Year Limited Warranty

**PORT REPLICATOR**

- Panasonic certified electronics
- Serial (1) D-Sub 9-pin
- USB 2.0 (4) 4 Pin (2) front, (2) rear
- USB 3.0 (2) 9 Pin
- Ethernet (2) RJ45
- Antenna switch
- Power supply input 16VDC

**PANASONIC TOUGHBOOK® 33 TABLET CRADLE**



ITEM NO.	ANTENNA PASS-THROUGH	POWER SUPPLY	WEIGHT	HEIGHT	WIDTH	DEPTH
<b>7160-0908-00</b>	No	<b>No</b> - Must use LIND 120W Automobile Power Supply (14650) or LIND 120W Bare Wire Leads Power Supply (7300-0461)	4.2 lbs 1.9 kg	12.5" 31.7 cm	13.25" 33.6 cm	4.5" 11.4 cm

**FEATURES**

- Compatible with Panasonic Toughbook 33 computer
- Panasonic Toughbook Certified
- Accommodates either the Toughbook 33 tablet's hand strap or an additional battery pack
- Can be mounted in horizontal or vertical position
- Designed with rounded edges to enhance personal safety
- Optional lock for theft deterrence
- Use LIND 120W automobile power adapter (7300-0462) or LIND 120 W bare wire leads power adapter (7300-0461)
- Easy to use one-handed operation:
  - Insert bottom of computer into the docking station, push top of computer against latch button until latch engages
  - To remove, push up on latch-button with thumb to disengage and pull computer out of the cradle
- VESA 75 mm mounting pattern
- MIL-STD 810G shock/vibration, RoHS, FCC, CE, and SAE J1455 crash certifications
- 3-Year Limited Warranty

**PANASONIC TOUGHBOOK® 33 TRIMLINE™ ACCESSORIES**



ITEM NO.	DESCRIPTION	PLACEMENT	WEIGHT	HEIGHT	WIDTH	DEPTH
<b>7300-0197</b>	LIND 120W Power Supply with LED Indicator	For use with the following Panasonic Toughbook 33 (7300-0196-00, 7300-0196-10, 7300-0196-02, 7300-0196-12, 7300-0196-20, 7300-0196-30, 7300-0196-22, 7300-0196-32, 7300-0203, 7300-0204)	1.4 lbs 0.64 kg	1.1" 7.87 cm	3.1" 2.80 cm	5.5" 13.97 cm

**PANASONIC TOUGHBOOK® 33 ACCESSORIES**

ITEM NO.	DESCRIPTION	PLACEMENT	WEIGHT	HEIGHT	WIDTH	DEPTH
7300-0462	LIND 120W Automobile Power Supply	For use with the following Panasonic Toughbook 33 (7160-0908-00, 7160-0907-06, 7160-0907-07, 7160-0907-00, 7160-0907-02, 7160-0909-00, 7160-0909-02, 7160-0909-00)	1.1 lbs 0.5 kg	1.2" 2.9 cm	5.0" 12.7 cm	3.0" 7.6 cm
7300-0461	LIND 120W Bare Wire Leads Power Supply		1.1 lbs 0.5 kg	1.2" 2.9 cm	5.0" 12.7 cm	3.0" 7.6 cm
7110-1214	Screen Support	Attaches to the side of the docking station or cradle	0.4 lbs 0.2 kg	5.0" 12.7 cm	3.5" 8.9 cm	2.1" 5.4 cm



7110-1214

**PANASONIC TOUGHBOOK® 33 TRIMLINE™ TABLET DOCKING STATION**

ITEM NO.	ANTENNA PASS-THROUGH	POWER SUPPLY/DESCRIPTION	WEIGHT	HEIGHT	WIDTH	DEPTH
7300-0196-00	No	<b>No</b> - Use LIND 120W Power Adapter (7300-0197). SLIM TOUGHBOOK 33 TABLET DOCK LITE NPT	6.0 lbs 2.7 kg	10.8" 27.4 cm	12.3" 31.4 cm	3" 7.6 cm
7300-0196-10	No	<b>Yes</b> - Includes LIND 120W Power Adapter. SLIM TOUGHBOOK 33 TABLET DOCK LITE NPT	7.4 lbs 3.4 kg	10.8" 27.4 cm	12.3" 31.4 cm	3" 7.6 cm
7300-0196-02	Yes	<b>No</b> -Use LIND 120W Power Adapter (7300-0197). SLIM TOUGHBOOK 33 TABLET DOCK LITE DPT	6.0 lbs 2.7 kg	10.8" 27.4 cm	12.3" 31.4 cm	3" 7.6 cm
7300-0196-12	Yes	<b>Yes</b> - Includes LIND 120W Power Adapter. SLIM TOUGHBOOK 33 TABLET DOCK LITE DPT	7.4 lbs 3.4 kg	10.8" 27.4 cm	12.3" 31.4 cm	3" 7.6 cm
7300-0196-20	No	<b>No</b> - Use LIND 120W Power Adapter (7300-0197). SLIM TOUGHBOOK 33 TABLET DOCK FULL NPT	6.0 lbs 2.7 kg	10.8" 27.4 cm	12.3" 31.4 cm	3" 7.6 cm
7300-0196-30	No	<b>Yes</b> - Includes LIND Power Adapter. SLIM TOUGHBOOK 33 TABLET DOCK FULL NPT	7.4 lbs 3.4 kg	10.8" 27.4 cm	12.3" 31.4 cm	3" 7.6 cm
7300-0196-22	Yes	<b>No</b> - Use LIND 120W Power Adapter (7300-0197). SLIM TOUGHBOOK 33 TABLET DOCK FULL DPT	6.0 lbs 2.7 kg	10.8" 27.4 cm	12.3" 31.4 cm	3" 7.6 cm
7300-0196-32	Yes	<b>Yes</b> - Includes LIND 120W Power Adapter. SLIM TOUGHBOOK 33 TABLET DOCK FULL DPT	7.4 lbs 3.4 kg	10.8" 27.4 cm	12.3" 31.4 cm	3" 7.6 cm



7300-0196-02

**FEATURES**

- Designed for the Panasonic Toughbook 33 tablet computer
- Panasonic Toughbook Certified utilizing Panasonic Certified electronics
- CNC machined aluminum construction for rugged reliability
- Space saving and ergonomic design improves safety and comfort
- Top mounted USB ports allow compatibility with Clam Shell mounts
- Floating protected docking connector for years of reliable connectivity
- Available with power indicator light when purchased with PSU
- Available with or without dual RF pass-through
- Available in "Lite" or "Full" port replication (with or without VGA and HDMI connections)
- Integrated cable strain relief
- Keyed lock for theft deterrence
- Easy, one-handed operation:
  - To dock: Unlock. Lead the bottom of the tablet into the dock using the guide pins for positioning.
  - Push the top of the tablet back into the dock. until top clamp is fully seated on tablet
  - To release: Unlock. Move the top clamp up and away from the tablet. Gently lift the tablet out of the dock
- VESA 75 mm mounting pattern
- MIL-STD 810G shock/vibration, RoHS, FCC, and SAE J1455 crash certifications
- Limited Lifetime Warranty on structural components, 3-Year Limited Warranty on electronics

**PORT REPLICATOR**

- Panasonic certified electronics
- Ethernet (2) RJ45
- Serial (1) D-Sub 9 Pin
- USB 3.0 (2) 9 Pin
- USB 2.0 (4) 4 Pin
- HDMI (optional on "Full" dock) 19 Pin
- VGA (optional on "Full" dock) D-Sub 15 Pin
- RF Pass Through (optional) Dual RF (TNC)
- Power Input: 16 VDC

**PANASONIC TOUGHBOOK® 33 TRIMLINE™ TABLET CRADLE**



7300-0195-00

ITEM NO.	ANTENNA PASS-THROUGH	POWER SUPPLY	WEIGHT	HEIGHT	WIDTH	DEPTH
7300-0195-00	No	<b>No</b> - Use LIND Power Adapter (7300-0197)	5.9 lbs 2.7 kg	10.8" 27.4 cm	12.3" 31.4 cm	3" 7.6 cm
7300-0195-10	No	<b>Yes</b> - Includes LIND Power Adapter (7300-0197)	7.3 lbs 3.3 kg	10.8" 27.4 cm	12.3" 31.4 cm	3" 7.6 cm

**FEATURES**

- Designed for the Panasonic Toughbook 33 tablet computer
- Panasonic Toughbook Certified
- CNC machined aluminum construction for rugged reliability
- Space saving and ergonomic design improves safety and comfort
- Top mounted USB ports allow compatibility with Clam Shell mounts
- Available with power indicator light when purchased with PSU
- Keyed lock for theft deterrence
- Easy, one-handed operation:
  - To dock: Unlock. Lead the bottom of the tablet into the dock using the guide pins for positioning.
  - Push the top of the tablet back into the dock. until top clamp is fully seated on tablet
  - To release: Unlock. Move the top clamp up and away from the tablet. Gently lift the tablet out of the dock
- VESA 75 mm mounting pattern
- MIL-STD 810G shock/vibration, RoHS, FCC, and SAE J1455 crash certifications
- Limited Lifetime Warranty on structural components

**PANASONIC TOUGHBOOK® 40 TRIMLINE™ LAPTOP DOCKING STATION**



7300-0605-06

ITEM NO.	ANTENNA PASS-THROUGH	PORT REPLICATION	POWER SUPPLY	WEIGHT	HEIGHT	WIDTH	DEPTH
7300-0605-00	No	Full	<b>No</b> - Use LIND Power Adapter (7300-0610)	9.2 lbs 4.17 kg	2.31" 5.87 cm	14.6" 37.08 cm	12.74" 32.36 cm
7300-0605-02	Quad RF (SMA)	Full	<b>No</b> - Use LIND Power Adapter (7300-0610)	9.25 lbs 4.2 kg	2.31" 5.87 cm	14.6" 37.08 cm	12.74" 32.36 cm
7300-0605-10	No	Full	<b>Yes</b> - Includes LIND Auto Power Adapter (7300-0610)	10.4 lbs 4.72 kg	2.31" 5.87 cm	14.6" 37.08 cm	12.74" 32.36 cm
7300-0605-12	Quad RF (SMA)	Full	<b>Yes</b> - Includes LIND Auto Power Adapter (7300-0610)	10.45 lbs 4.74 kg	2.31" 5.87 cm	14.6" 37.08 cm	12.74" 32.36 cm
7300-0605-06	No	Lite	<b>No</b> - Use LIND Power Adapter (7300-0610)	9.2 lbs 4.17 kg	2.31" 5.87 cm	14.6" 37.08 cm	12.74" 32.36 cm
7300-0605-07	Quad RF (SMA)	Lite	<b>No</b> - Use LIND Power Adapter (7300-0610)	9.25 lbs 4.2 kg	2.31" 5.87 cm	14.6" 37.08 cm	12.74" 32.36 cm
7300-0605-16	No	Lite	<b>Yes</b> - Includes LIND Auto Power Adapter (7300-0610)	10.4 lbs 4.72 kg	2.31" 5.87 cm	14.6" 37.08 cm	12.74" 32.36 cm
7300-0605-17	Quad RF (SMA)	Lite	<b>Yes</b> - Includes LIND Auto Power Adapter (7300-0610)	10.45 lbs 4.74 kg	2.31" 5.87 cm	14.6" 37.08 cm	12.74" 32.36 cm

**FEATURES**

- Compatible with Panasonic Toughbook 40
- CNC Aluminum construction for rugged reliability
- Space saving and ergonomic design improves ergonomics and safety
- Captured key lock with auto-latching mechanism ensures user safety, protection and device security
- Auto-retracting connector cover to reduce connector damage
- Integrated genuine Panasonic PCB and connector for trouble free service
- Rear facing ports with integrated cable tie rail
- Universal mounting interface including VESA 75 for optimum compatibility with new and existing infrastructure
- MIL-STD 810G shock/vibration and SAE J1455 crash certifications
- Limited Lifetime Warranty

**FULL PORT REPLICATOR**

- Panasonic certified electronics
- Serial (1)
- USB-C 10Gpbs (2)
- USB-C 0.5Gbps (1)
- USB-A 10Gbps (1)
- USB-A 0.5Gbps (2)
- Ethernet (2)
- Power supply input
- HDMI (1)
- D-Sub 9-pin
- Max 1.5A@5V with DisplayPort Alternate Mode\*
- 500mA front facing
- 900mA - 9 Pin
- 500mA - 4 Pin
- RJ45
- 15VDC
- 19 Pin

**LITE PORT REPLICATOR**

- Panasonic certified electronics
- Serial (1)
- USB-C 10Gpbs (2)
- USB-C 0.5Gbps (1)
- USB-A 10Gbps (1)
- USB-A 0.5Gbps (2)
- Ethernet (2)
- Power supply input
- D-Sub 9-pin
- Max 1.5A@5V
- 500mA front facing
- 900mA - 9 Pin
- 500mA - 4 Pin
- RJ45
- 15VDC

\*The two USB Type-C ports support DisplayPort Alternate Mode. When the two ports are connected, only one port can be used for display output. The port closer to the HDMI port takes priority.

**PANASONIC TOUGHBOOK® 40 LAPTOP DOCKING STATION**

ITEM NO.	DESCRIPTION	PORT REPLICATION	POWER SUPPLY	WEIGHT	HEIGHT	WIDTH	DEPTH
7160-1728-00	Panasonic Toughbook 40 Docking Station, Full Port, No RF	Full	<b>No</b> - Use LIND Power Adapter (7300-0461)	4.5 lbs 2.04 kg	2.8" 7.11 cm	14.65" 37.21 cm	12.31" 31.27 cm
7160-1728-02	Panasonic Toughbook 40 Docking Station, Full Port, Quad RF	Full	<b>No</b> - Use LIND Power Adapter (7300-0461)	4.5 lbs 2.04 kg	2.8" 7.11 cm	14.65" 37.21 cm	12.31" 31.27 cm
7170-0943-00	<b>Kit Includes:</b> Panasonic Toughbook 40 Docking Station with LIND 120W Auto Bare Wire Leads Power Adapter, Full Port, No RF	Full	<b>Yes</b> - Includes LIND Power Adapter (7300-0461)	4.5 lbs 2.04 kg	2.8" 7.11 cm	14.65" 37.21 cm	12.31" 31.27 cm
7170-0943-02	<b>Kit Includes:</b> Panasonic Toughbook 40 Docking Station with LIND 120W Auto Bare Wire Leads Power Adapter, Full Port, Quad RF	Full	<b>Yes</b> - Includes LIND Power Adapter (7300-0461)	4.5 lbs 2.04 kg	2.8" 7.11 cm	14.65" 37.21 cm	12.31" 31.27 cm
7160-1728-06	Panasonic Toughbook 40 Docking Station, Lite Port, No RF	Lite	<b>No</b> - Use LIND Power Adapter (7300-0461)	4.5 lbs 2.04 kg	2.8" 7.11 cm	14.65" 37.21 cm	12.31" 31.27 cm
7160-1728-07	Panasonic Toughbook 40 Docking Station, Lite Port, Quad RF	Lite	<b>No</b> - Use LIND Power Adapter (7300-0461)	4.5 lbs 2.04 kg	2.8" 7.11 cm	14.65" 37.21 cm	12.31" 31.27 cm
7170-0944-00	<b>Kit Includes:</b> Panasonic Toughbook 40 Docking Station with LIND 120W Auto Bare Wire Leads Power Adapter, Lite Port, No RF	Lite	<b>Yes</b> - Includes LIND Power Adapter (7300-0461)	4.5 lbs 2.04 kg	2.8" 7.11 cm	14.65" 37.21 cm	12.31" 31.27 cm
7170-0944-02	<b>Kit Includes:</b> Panasonic Toughbook 40 Docking Station with LIND 120W Auto Bare Wire Leads Power Adapter, Lite Port, Quad RF	Lite	<b>Yes</b> - Includes LIND Power Adapter (7300-0461)	4.5 lbs 2.04 kg	2.8" 7.11 cm	14.65" 37.21 cm	12.31" 31.27 cm



7160-1728-02

**FEATURES**

- Panasonic Toughbook Certified electronics for reliable connectivity
- Access to all computer control buttons and most ports while docked
- Rear-facing I/O ports; integrated cable strain relief and cable management system
- LED indicator light reflects docking connection to ensure proper docking
- Shutter cover for extra docking connector protection
- Designed to the footprint of the computer to preserve cabin space
- Right-facing docking/release latch for easy docking and undocking
- Keyed lock for theft deterrence
- Gamber-Johnson rugged construction and reliability
- Composite design for reduced weight and durability
- VESA 75mm mounting pattern for compatibility with a variety of Gamber-Johnson motion attachments
- 3-Year Limited Warranty

**FULL PORT REPLICATOR**

- Panasonic certified electronics
- Serial (1) 9-pin
- USB-C 3.2 (2) Max 1.5A@5V with DisplayPort Alternate Mode\*
- USB-C 2.0 (1) 500mA front facing
- USB-A 3.2 (1) 900mA - 9 Pin
- USB-A 2.0 (2) 500mA - 4 Pin
- Ethernet (2) RJ45
- Power supply input 15VDC
- HDMI (1) 19 Pin

**LITE FULL PORT REPLICATOR**

- Panasonic certified electronics
- Serial (1) 9-pin
- USB-C 3.2 (2) Max 1.5A@5V
- USB-C 2.0 (1) 500mA front facing
- USB-A 3.2 (1) 900mA - 9 Pin
- USB-A 2.0 (2) 500mA - 4 Pin
- Ethernet (2) RJ45
- Power supply input 15VDC

\*The two USB Type-C ports support DisplayPort Alternate Mode. When the two ports are connected, only one port can be used for display output. The port closer to the HDMI port takes priority.





7160-1729-00

**PANASONIC TOUGHBOOK® 40 LAPTOP CRADLE**

ITEM NO.	DESCRIPTION	POWER SUPPLY	WEIGHT	HEIGHT	WIDTH	DEPTH
7160-1729-00	Panasonic Toughbook 40 Cradle (No electronics)	<b>No</b> - Use LIND Power Adapter (7300-0461)	4.5 lbs 2.04 kg	2.8" 7.11 cm	14.65" 37.21 cm	12.31" 31.27 cm

**FEATURES**

- Panasonic Toughbook Certified electronics for reliable connectivity
- Shutter cover for extra docking connector protection
- Designed to the footprint of the computer to preserve cabin space
- Right-facing docking/release latch for easy docking and undocking
- Keyed lock for theft deterrence
- Gamber-Johnson rugged construction and reliability
- Composite design for reduced weight and durability
- VESA 75mm mounting pattern for compatibility with a variety of Gamber-Johnson motion attachments
- 3-Year Limited Warranty

**PANASONIC TOUGHBOOK® 40 ACCESSORIES**



7300-0610

ITEM NO.	DESCRIPTION	PLACEMENT	WEIGHT	HEIGHT	WIDTH	DEPTH
7300-0462	LIND 120W Automobile Power Adapter	For use with any Gamber-Johnson Panasonic Toughbook 40 Cradle or Docking Station	1.1 lbs 0.5 kg	1.2" 2.9 cm	5.0" 12.7 cm	3.0" 7.6 cm
7300-0461	LIND 120W Bare Wire Leads Power Adapter		1.1 lbs 0.5 kg	1.2" 2.9 cm	5.0" 12.7 cm	3.0" 7.6 cm
7300-0610	LIND 120W Power Adapter with LED		1.2 lbs 0.54 kg	1.1" 2.79 cm	3.1" 7.87 cm	5.5" 13.97 cm
7110-1401	Screen Support	Attaches to the left or right side of the docking station or cradle	0.4 lbs 0.18 kg	9" 22.86 cm	2.12" 5.38 cm	3.75" 9.53 cm

**PANASONIC TOUGHBOOK® 40 TRIMLINE™ LAPTOP CRADLE**



7300-0604-00

ITEM NO.	ANTENNA PASS-THROUGH	POWER SUPPLY	WEIGHT	HEIGHT	WIDTH	DEPTH
7300-0604-00	No	<b>No</b> - Use LIND Power Adapter (7300-0610)	8.45 lbs 3.83 kg	2.31" 5.87 cm	14.6" 37.08 cm	12.74" 32.36 cm
7300-0604-10	No	<b>Yes</b> - Includes LIND Auto Power Adapter (7300-0610)	9.65 lbs 4.38 kg	2.31" 5.87 cm	14.6" 37.08 cm	12.74" 32.36 cm

**FEATURES**

- Compatible with Panasonic Toughbook 40
- CNC Aluminum construction for rugged reliability
- Space saving and ergonomic design improves ergonomics and safety
- Captured key lock with auto-latching mechanism ensures user safety, protection and device security
- Universal mounting interface including VESA 75 for optimum compatibility with new and existing infrastructure
- MIL-STD 810G shock/vibration and SAE J1455 crash certifications
- Limited Lifetime Warranty

**PANASONIC TOUGHBOOK® 40 TRIMLINE™ ACCESSORIES**



7300-0602

ITEM NO.	DESCRIPTION	PLACEMENT	WEIGHT	HEIGHT	WIDTH	DEPTH
7300-0462	LIND 120W Automobile Power Supply	For use with any Gamber-Johnson Panasonic Toughbook 40 Cradle or Docking Station	1.1 lbs 0.5 kg	1.2" 2.9 cm	5.0" 12.7 cm	3.0" 7.6 cm
7300-0461	LIND 120W Bare Wire Leads Power Supply		1.1 lbs 0.5 kg	1.2" 2.9 cm	5.0" 12.7 cm	3.0" 7.6 cm
7300-0610	LIND 120W Power Adapter with LED		1.2 lbs 0.54 kg	1.1" 2.79 cm	3.1" 7.87 cm	5.5" 13.97 cm
7300-0602	Screen Support	Attaches to the left or right side of the docking station or cradle	0.2 lbs 0.09 kg	7.36" 18.69 cm	2.42" 6.15 cm	2.25" 5.72 cm



**PANASONIC TOUGHBOOK® 55 DOCKING STATION**

ITEM NO.	ANTENNA PASS-THROUGH	POWER SUPPLY	WEIGHT	HEIGHT	WIDTH	DEPTH
7160-0577-00	No	No - Must use External LIND Auto Adapter (7300-0461)	5.5 lbs 2.5 kg	3.5" 8.9 cm	13.5" 34.3 cm	11.9" 30.2 cm
7160-0577-02	Dual RF (TNC)	No - Must use External LIND Auto Adapter (7300-0461)	5.5 lbs 2.5 kg	3.5" 8.9 cm	13.5" 34.3 cm	11.9" 30.2 cm
7170-0250	No	Yes - Includes 120W External LIND Auto Adapter	8.5 lbs 3.9 kg	3.5" 8.9 cm	13.5" 34.3 cm	11.9" 30.2 cm
7170-0251	Dual RF (TNC)	Yes - Includes 120W External LIND Auto Adapter	8.5 lbs 3.9 kg	3.5" 8.9 cm	13.5" 34.3 cm	11.9" 30.2 cm



7160-0577-00



7160-0577-00

**FEATURES**

- Compatible with Panasonic Toughbook 54 and 55
- Panasonic Toughbook Certified utilizing Panasonic Certified electronics
- This docking station accommodates the optional modular expansion area on the Toughbook 54/55 computer
- Rugged composite/steel construction with black powder coat finish for long-term durability
- Special access area for smart card reader makes it easy to insert and eject card
- Spring-loaded plate protects RF connector from damage when computer is not in the docking station. Plate draws back into the docking station when the computer is docked.
- Small footprint - designed to maximize available space inside of vehicle
- Rear-facing I/O ports, integrated cable strain relief system, and convenient cable management system
- Optional dual RF antenna pass through for reliable connectivity
- Spring-loaded docking connector to ensure connectivity in the roughest terrain
- External antenna switch:
  - Switch set toward outside of dock: Uses exterior antenna
  - Switch set to inside of the dock: Uses laptop antenna
- Front safety bracket and rear corners ensure proper alignment and docking connectivity
- Push button latch with keyed lock for theft deterrence:
  - Push the latch to release the docking connector
  - Insert computer and push latch closed to dock computer
- VESA 75 mm mounting pattern
- MIL-STD 810G shock/vibration, RoHS, FCC, CE, and SAE J1455 crash certifications
- 3-Year Limited Warranty

**PORT REPLICATOR**

- Panasonic certified electronics
- Serial (1) D-Sub 9 Pin
- Ethernet (1) RJ45
- USB 3.0 (2) 9 Pin
- VGA (1) D-Sub 15 Pin
- HDMI (1) 19 Pin
- RF pass-through (optional) TNC
- Power supply input DC



**PANASONIC TOUGHBOOK® 55 CRADLE**

ITEM NO.	WEIGHT	HEIGHT	WIDTH	DEPTH
7160-0578-00	5.5 lbs 2.5 kg	3.5" 8.9 cm	13.5" 34.3 cm	11.9" 30.2 cm



**FEATURES**

- Compatible with Panasonic Toughbook 54 and 55
- Panasonic Toughbook Certified
- This cradle accommodates the optional modular expansion area on the Toughbook 54/55 computer
- Rugged composite/steel construction with black powder coat finish for long-term durability
- Special access area for smart card reader makes it easy to insert and eject card
- Small footprint - designed to maximize available space inside of vehicle
- Front safety bracket and rear corners ensure proper alignment and docking connectivity
- Push button latch with keyed lock for theft deterrence:
  - Push the latch to open the cradle
  - Insert computer and push latch closed to cradle the computer
- VESA 75 mm mounting pattern
- MIL-STD 810G shock/vibration, RoHS, FCC, CE, and SAE J1455 crash certifications
- 3-Year Limited Warranty

**PANASONIC TOUGHBOOK® 55 CRADLE AND DOCKING STATION ACCESSORIES**



7160-0096

ITEM NO.	DESCRIPTION	PLACEMENT	WEIGHT	HEIGHT	WIDTH	DEPTH
7160-0096	LED Light Assembly	Attaches to the right side of docking station	0.5 lbs 0.2 kg	17.0" 43.2 cm	3.0" 7.6 cm	1.6" 4.1 cm
7110-1023	Screen Support	Attaches to the right side of docking station	0.5 lbs 0.5 kg	6.5" 16.5 cm	3.5" 8.9 cm	1.7" 4.3 cm
7300-0461	External 120W LIND Automobile Power Adapter (Toughbook 55)	For use with any Gamber-Johnson Panasonic Toughbook 55 Cradle or Docking Station	0.9 lbs 0.4 kg	1.1" 2.8 cm	5.4" 13.7 cm	3.1" 7.9 cm

**PANASONIC TOUGHBOOK® 55 TRIMLINE™ LAPTOP DOCKING STATION**



7300-0373-02

ITEM NO.	DESCRIPTION	POWER SUPPLY	WEIGHT	HEIGHT	WIDTH	DEPTH
7300-0373-00	Panasonic Toughbook 55 TrimLine Laptop docking station NO RF	No - Use LIND Power Adapter (7300-0197)	8.4 lbs 3.81 kg	3.04" 7.72 cm	14.07" 35.74 cm	12.5" 31.75 cm
7300-0373-02	Panasonic Toughbook 55 TrimLine Laptop docking station DUAL RF	No - Use LIND Power Adapter (7300-0197)	8.4 lbs 3.81 kg	3.04" 7.72 cm	14.07" 35.74 cm	12.5" 31.75 cm
7300-0373-04	Panasonic Toughbook 55 TrimLine Laptop docking station NO RF with LIND auto power adapter	Yes - Includes LIND Auto Power Supply	9.8 lbs 4.44 kg	3.04" 7.72 cm	14.07" 35.74 cm	12.5" 31.75 cm
7300-0373-06	Panasonic Toughbook 55 TrimLine Laptop docking station DUAL RF with LIND auto power adapter	Yes - Includes LIND Auto Power Supply	9.8 lbs 4.44 kg	3.04" 7.72 cm	14.07" 35.74 cm	12.5" 31.75 cm

**FEATURES**

- Compatible with the Panasonic Toughbook 54/55 laptop computer
- Panasonic Toughbook Certified utilizing Panasonic Certified electronics
- Aluminum construction for strength and durability
- Docking connector cover reduces potential damage to critical components
- Floating connector for reliable docking connection even in the roughest terrain
- Rear-facing I/O ports; integrated cable strain relief and cable management system
- Screen support for additional stability (optional)
- Available with dual RF antenna pass through and as a kit with LIND power adapter
- Minimal footprint for increased usable cabin space
- Ergonomic design for safety and single hand operation
- Keyed lock for theft deterrence
- Easy docking and release:
  - To dock: Position front handle on computer into front brackets on dock so pockets on keyboard align with front brackets.
  - Slowly rotate back of the computer onto docking station ensuring that computer stays aligned on the dock.
  - Push down on back of computer until audible click is heard. Computer is docked.
  - To release: Disengage lock. Push front release button and rotate back of computer up and pull front of computer away from the dock.
- VESA 75 mm mounting pattern
- MIL-STD 810G shock/vibration, RoHS, FCC, CE, and SAE J1455 crash certifications
- Limited Lifetime Warranty on structural components, 3-Year Limited Warranty on electronics

**PORT REPLICATION**

- Serial D-sub 9 pin
- HDMI 19 pin
- VGA D-sub 15 pin
- Ethernet RJ45
- Fully powered USB 3.0 (2) 900mA
- Power Input 15.6VDC
- External Antenna Switch

**PANASONIC TOUGHBOOK® 55 TRIMLINE™ LAPTOP CRADLE**

ITEM NO.	DESCRIPTION	POWER SUPPLY	WEIGHT	HEIGHT	WIDTH	DEPTH
7300-0373-90	Panasonic Toughbook 55 TrimLine Laptop Cradle (No Electronics)	No - Use LIND Power Adapter (7300-0197)	8.2 lbs 3.71 kg	3.04" 7.72 cm	14.07" 35.74 cm	12.5" 31.75 cm
7300-0373-99	Panasonic Toughbook 55 TrimLine Laptop Cradle (No Electronics) with LIND Auto Power Adapter	Yes - Includes LIND Auto Power Supply	9.6 lbs 4.35 kg	3.04" 7.72 cm	14.0" 35.74 cm	12.5" 31.75 cm



7300-0373-90

**FEATURES**

- Compatible with the Panasonic Toughbook 54/55 laptop computer
- Panasonic Toughbook Certified
- Aluminum construction for strength and durability
- Minimal footprint for increased usable cabin space
- Ergonomic design for safety and single hand operation
- Screen support for additional stability (optional)
- Available as a kit with LIND power adapter
- Keyed lock for theft deterrence
- Easy docking and release:
  - To dock: Position front handle on computer into front brackets on cradle so pockets on keyboard align with front brackets.
  - Slowly rotate back of the computer onto cradle ensuring that computer stays aligned on the cradle
  - Push down on back of computer until audible click is heard. Computer is cradled.
  - To release: Disengage lock. Push front release button and rotate back of computer up and pull front of computer away from the cradle
- VESA 75 mm mounting pattern
- MIL-STD 810G shock/vibration, RoHS, FCC, CE, and SAE J1455 crash certifications
- Limited Lifetime Warranty on structural components, 3-Year Limited Warranty on electronics

**PANASONIC TOUGHBOOK® 55 TRIMLINE™ LAPTOP DOCKING STATION ACCESSORIES**

ITEM NO.	DESCRIPTION	PLACEMENT/COMPATIBILITY	WEIGHT	HEIGHT	WIDTH	DEPTH
7300-0216	LIND 120W Automotive Power Adapter 11-16VDC with Indicator Light	Use with Panasonic Toughbook TrimLine 33 Laptop and Tablet Docking Station or Cradle	1.4 lbs 0.64 kg	5.5" 13.97 cm	3.1" 7.87 cm	1.1" 2.79 cm
7300-0373-50	Panasonic Toughbook 54/55 TrimLine Laptop Dock - Screen Support	Attaches to the Left Rear Corner of the Docking Station or Cradle	0.4 lbs 0.18 kg	8" 20.32 cm	1.5" 3.81 cm	3.25" 8.26 cm



7300-0373-50

**LIND AUTOMOBILE POWER ADAPTERS FOR PANASONIC TOUGHBOOKS® / TOUGHPADS®**



7300-0459



7300-0460



7300-0461



7300-0462

ITEM NO.	DESCRIPTION	PLACEMENT	WEIGHT	HEIGHT	WIDTH	DEPTH
7300-0459	External 90W LIND Automobile Power Adapter with Cigarette Lighter Connector	For use with the following Panasonic Docking Stations or Cradles: Toughbook 20, A3, N1, ToughPad FZ-A2, FZ-G1, FZ-M1/B2	1.2 lbs 0.5 kg	1.2" 3.0 cm	5.0" 12.7 cm	3.0" 7.6 cm
7300-0460	External 90W LIND Automobile Power Adapter with Bare Wire Lead	For use with the following Panasonic Docking Stations or Cradles: Toughbook 20, A3, N1, ToughPad FZ-A2, FZ-G1, FZ-M1/B2	1.0 lbs 0.5 kg	1.2" 3.0 cm	5.0" 12.7 cm	3.0" 7.6 cm
7300-0461	External 120W LIND Automobile Power Adapter with Bare Wire Lead	For use with the following Panasonic Docking Stations or Cradles: Toughbook 30/31, 33, 54/55	0.9 lbs 0.4 kg	1.1" 2.8 cm	5.4" 13.7 cm	3.1" 7.9 cm
7300-0462	External 120W LIND Automobile Power Adapter with Cigarette Lighter Connector	For use with the following Panasonic Docking Stations or Cradles: Toughbook 30/31, 33, 54/55	1.0 lbs 0.5 kg	1.1" 2.8 cm	5.4" 13.7 cm	3.1" 7.9 cm
7300-0464	LIND 12-32V Material Handling Isolated Power Adapter with Bare Wire Lead. Output Voltage 15.6Vdc, Output Current 5.5 Amps to Barrel Connector Plug	For use with the following Panasonic Docking Stations or Cradles: Toughpad FZ-A2, G1, M1/B1, Toughbook A3, N1, 20	1.56 lbs. 0.52 kg	1.15" 2.92 cm	9.3" 23.6 cm	3.0" 7.62 cm
7300-0465	LIND 20-60V Material Handling Isolated Power Adapter with Bare Wire Lead. Output Voltage 15.6Vdc, Output Current 5.5 Amps to Barrel Connector Plug	For use with the following Panasonic Docking Stations or Cradles: Toughpad FZ-A2, G1, M1/B1, Toughbook A3, N1, 20	1.56 lbs. 0.52 kg	1.15" 2.92 cm	9.3" 23.6 cm	3.0" 7.62 cm
7300-0417	LIND 72-110V Material Handling Isolated Power Adapter with Bare Wire Lead. Output Voltage 15.6Vdc, Output Current 5.5 Amps to Barrel Connector Plug	For use with the following Panasonic Docking Stations or Cradles: Toughpad FZ-A2, G1, M1/B1, Toughbook A3, N1, 20	1.6 lbs. 0.74 kg	1.15" 2.92 cm	9.3" 23.6 cm	3.0" 7.62 cm
7300-0443	LIND 12-32V Automotive Power Adapter with Bare Wire Lead. Output Voltage 5Vdc, Output Current 2 Amps to Barrel Connector Plug	For use with the following Panasonic Docking Stations or Cradles: Toughbook L1.	0.7 lbs. 0.31 kg	0.9" 2.28 cm	1.7" 4.31 cm	3.7" 9.39 cm
7300-0444	LIND 12-32V Automotive Power Adapter with Cigarette Lighter Connection. Output Voltage 5Vdc, Output Current 2 Amps to Barrel Connector Plug	For use with the following Panasonic Docking Stations or Cradles: Toughbook L1.	0.7 lbs. 0.31 kg	0.9" 2.28 cm	1.7" 4.31 cm	3.7" 9.39 cm
7300-0445	LIND 12-32V Automotive Power Adapter with Bare Wire Lead. Output Voltage 5Vdc, Output Current 2 Amps to Micro USB	For use with the following Panasonic Docking Stations or Cradles: Toughbook T1.	0.7 lbs. 0.31 kg	0.9" 2.28 cm	1.7" 4.31 cm	3.7" 9.39 cm
7300-0446	LIND 12-32V Automotive Power Adapter with Cigarette Lighter Connection. Output Voltage 5Vdc, Output Current 2 Amps to Micro USB	For use with the following Panasonic Docking Stations or Cradles: Toughbook T1.	0.7 lbs. 0.31 kg	0.9" 2.28 cm	1.7" 4.31 cm	3.7" 9.39 cm
7300-0197	LIND 120w Automotive Power Adapter with Cigarette Lighter Connection. Output Voltage 15V, Output Current 8 Amps to Barrel Connector Plug.	For use with the following Panasonic Docking Stations or Cradles: Toughbook 33.	1.4 lbs. 0.64 kg	1.1" 7.87 cm	3.1" 2.8 cm	5.5" 13.9 cm
7300-0455	LIND 12-32V Material Handling Isolated Power Adapter with Bare Wire Lead. Output Voltage 5Vdc, Output Current 2 Amps to Straight Barrel Connector Plug.	For use with the following Panasonic Docking Stations or Cradles: Toughbook L1.	1.35 lbs. 0.61 kg	1.13" 2.86 cm	6.0" 15.24 cm	3.0" 7.62 cm
7300-0456	LIND 20-60V Material Handling Isolated Power Adapter with Bare Wire Lead. Output Voltage 5Vdc, Output Current 2 Amps to Straight Barrel Connector Plug.	For use with the following Panasonic Docking Stations or Cradles: Toughbook L1.	1.35 lbs. 0.61 kg	1.13" 2.86 cm	6.0" 15.24 cm	3.0" 7.62 cm
7300-0483	LIND 72-100V Material Handling Isolated Power Adapter with Bare Wire Lead. Output Voltage 5Vdc, Output Current 2 Amps to Straight Barrel Connector Plug.	For use with the following Panasonic Docking Stations or Cradles: Toughbook L1.	1.35 lbs. 0.61 kg	1.13" 2.86 cm	6.0" 15.24 cm	3.0" 7.62 cm

**SAMSUNG GALAXY TAB ACTIVE2/TAB ACTIVE3 DUAL USB DOCKING STATION**

DESCRIPTION	POWER SUPPLY	ANTENNA PASS-THROUGH	WEIGHT	HEIGHT	WIDTH	DEPTH
<b>7160-1368-00</b>	Samsung Galaxy Tab Active2/Tab Active3 Dual USB Docking Station with Bare Wire	No	1.1lbs 0.5kg	6.7" 17.1cm	9.3" 23.6cm	1.5" 3.8cm
<b>7160-1368-20</b>	Samsung Galaxy Tab Active2/Tab Active3 Dual USB Docking Station with Cigarette Lighter Connector	No	1.1lbs 0.5kg	6.7" 17.1cm	9.3" 23.6cm	
<b>7160-1368-30</b>	Samsung Galaxy Tab Active2/Tab Active3 Dual USB Docking Station with MP205 Connector	No	1.1lbs 0.5kg	6.7" 17.1cm	9.3" 23.6cm	
<b>7170-0765-31</b>	<b>Kit Includes:</b> Samsung Galaxy Tab Active2/Tab Active3 Dual USB Docking Station with AC Power Adapter	No	1.1lbs 0.5kg	6.7" 17.1cm	9.3" 23.6cm	
<b>7170-0765-32</b>	<b>Kit Includes:</b> Samsung Galaxy Tab Active2/Tab Active3 Dual USB Docking Station with 12-32V Isolated Power Adapter	Yes	1.1lbs 0.5kg	6.7" 17.1cm	9.3" 23.6cm	
<b>7170-0765-33</b>	<b>Kit Includes:</b> Samsung Galaxy Tab Active2/Tab Active3 Dual USB Docking Station with 20-60V Isolated Power Adapter	Yes	1.1lbs 0.5kg	6.7" 17.1cm	9.3" 23.6cm	
<b>7170-0765-34</b>	<b>Kit Includes:</b> Samsung Galaxy Tab Active2/Tab Active3 Dual USB Docking Station with 70-110V Isolated Power Adapter	Yes	1.1lbs 0.5kg	6.7" 17.1cm	9.3" 23.6cm	

**FEATURES**

- Designed for the Samsung Galaxy Tab Active2/Tab Active3 rugged tablet with rugged case
- Dual powered USB ports; 1.5A for each port for connecting peripheral devices
- Access to all control buttons, camera, ports and stylus while the tablet is safely docked
- POGO pin connector and internal power supply provides power to charge the Samsung tablet while docked
- Input voltage range is 10V-40V for added power
- Push-button lock with key for theft deterrence
- Composite design for reduced overall weight
- Approximately 4" (101.6 cm) power cable with bare wire end
- Can be mounted on a flat vertical surface
- Simple, one-handed cradle operation:
  - Insert bottom of Samsung tablet into the docking station and push top of the tablet in until the lock engages
  - Push latch button up with your thumb then remove the tablet from the docking station
- VESA 75 mm and AMPS mounting pattern making it easily compatible with Zirkona products and more
- MIL-STD 810G shock/vibration, RoHS, FCC, CE, and SAE J1455 crash certifications
- 3-Year Limited Warranty

**PORT REPLICATOR**

- (2) USB 1.1 1.5A each



**SAMSUNG GALAXY TAB ACTIVE2/TAB ACTIVE3 LITE CRADLE**

ITEM NO.	ANTENNA PASS-THROUGH	WEIGHT	HEIGHT	WIDTH	DEPTH
<b>7160-1002-00</b>	Samsung Galaxy Tab Active2/Tab Active3 Lite Cradle (No Electronics)	0.5 lbs 0.2 kg	5.7" 14.5 cm	9.3" 23.5 cm	1.9" 4.8 cm

**FEATURES**

- Designed for the Samsung Galaxy Tab Active2/Tab Active3 rugged tablet with rugged case
- Has cutouts for providing direct access to your camera, stylus, and USB port while your tablet is safely docked
- Cradle can be mounted on a flat vertical surface
- Optional lock button for theft deterrence and extra tablet security
- Simple, one-handed cradle operation
- Composite design for reduced overall weight
- Includes USB car adapter
- Cradle can be mounted using the VESA 75 mm, M20 threads, and AMPS hole pattern to attach to a Gamber-Johnson system
- MIL-STD 810G shock/vibration, RoHS, FCC, CE, and SAE J1455 crash certifications
- 1 Year Limited Warranty



**SAMSUNG GALAXY TAB ACTIVE2/TAB ACTIVE3 LITE CRADLE**



ITEM NO.	ANTENNA PASS-THROUGH	WEIGHT	HEIGHT	WIDTH	DEPTH
7160-1148-00	Samsung Lite Charging Cradle with Cigarette Lighter Adapter	0.50 lbs 0.22 kg	5.68" 14.5 cm	9.27" 23.5 cm	1.90" 4.8 cm
7160-1148-10	Samsung Lite Charging Cradle with Bare Wire Lead	0.50 lbs 0.22 kg	5.68" 14.5 cm	9.27" 23.5 cm	1.90" 4.8 cm

**FEATURES**

- Designed for the Samsung Galaxy Tab Active2/Tab Active3 rugged tablet with rugged case
- Direct access to the camera, stylus, and tablet control buttons while the tablet is safely cradled
- VESA 75mm, M20 threads, and AMPS mounting hole patterns, compatible with Zirkona mounting products
- Cradle design is compatible with Samsung's built-in Near Field Communication (NFC); perform tasks with another NFD device without taking the Samsung tablet out of the cradle
- Optional lock for theft deterrence
- Simple, one-handed cradle operation
- Composite design for reduced overall weight
- POGO pin connector with USB-C connector attaches to USB auto power adapter (included)
- MIL-STD 810G shock/vibration, RoHS, FCC, CE, and SAE J1455 crash certifications
- 1 Year Limited Warranty

**SAMSUNG GALAXY TAB ACTIVE2/TAB ACTIVE3 DUAL USB DOCKING STATION WITH MOBILITY BUNDLE**



ITEM NO.	DESCRIPTION	WEIGHT	HEIGHT	WIDTH	DEPTH
7170-0765-40	Samsung Galaxy Tab Active2/Tab Active3 Dual USB Docking Station with Mobility Bundle <b>Kit Includes:</b> Samsung Galaxy Tab Active2/Tab Active3 Dual USB Docking Station (7160-1368-00) and Mobility Bundle (7400-0020)	1.1 lbs 0.5 kg	6.7" 17.02 cm	9.3" 23.62 cm	1.5" 3.81 cm

**FEATURES**

**Docking Station**

- Dual powered USB ports; 1.5A for each port for connecting peripheral devices
- Access to all control buttons, camera, ports and stylus while the tablet is safely docked
- POGO pin connector and internal power supply provides power to charge the Samsung tablet while docked
- Approximately 40" (101.6 cm) power cable with bare wire end
- Push-button lock with key for theft deterrence
- Composite design for reduced overall weight
- Simple, one-handed cradle operation:
  - Insert bottom of Samsung tablet into the docking station and push top of the tablet in until the lock engages
  - Push latch button up with your thumb then remove the tablet from the docking station
- VESA 75 mm and AMPS mounting patterns
- MIL-STD 810G shock/vibration, RoHS, FCC, CE, and SAE J1455 crash certifications
- 3-Year Limited Warranty

**Mobility Bundle**

- Quick release handle and shoulder strap for hands-free functionality
- Shoulder strap that loops over the back of the Samsung Tab Active2/Tab Active3 dock while installed
- 1 Year Limited Warranty

**PORT REPLICATOR**

- (2) USB 1.1 1.5A each

**SAMSUNG GALAXY TAB ACTIVE2/TAB ACTIVE3 DUAL USB DOCKING STATION WITH Y-STRAP**

ITEM NO.	DESCRIPTION	WEIGHT	HEIGHT	WIDTH	DEPTH
7170-0765-41	Samsung Galaxy Tab Active2/Tab Active3 Dual USB Docking Station with Y-Strap <b>Kit Includes:</b> Samsung Galaxy Tab Active2/Tab Active3 Dual USB Docking Station (7160-1368-00) & Y-Strap (7400-0021)	1.1 lbs 0.5 kg	6.7" 17.02 cm	9.3" 23.62 cm	1.5" 3.81 cm
<b>FEATURES</b>					
<b>Docking Station</b>					
<ul style="list-style-type: none"> <li>- Dual powered USB ports; 1.5A for each port for connecting peripheral devices</li> <li>- Access to all control buttons, camera, ports and stylus while the tablet is safely docked</li> <li>- POGO pin connector and internal power supply provides power to charge the Samsung tablet while docked</li> <li>- Approximately 40" (101.6 cm) power cable with bare wire end</li> <li>- Push-button lock with key for theft deterrence</li> <li>- Composite design for reduced overall weight</li> <li>- Simple, one-handed cradle operation:                             <ul style="list-style-type: none"> <li>- Insert bottom of Samsung tablet into the docking station and push top of the tablet in until the lock engages</li> <li>- Push latch button up with your thumb then remove the tablet from the docking station</li> </ul> </li> <li>- VESA 75 mm and AMPS mounting patterns</li> <li>- MIL-STD 810G shock/vibration, RoHS, FCC, CE, and SAE J1455 crash certifications</li> <li>- 3-Year Limited Warranty</li> </ul>					
<b>Y-Strap</b>					
<ul style="list-style-type: none"> <li>- Improved productivity, ergonomics, and convenience</li> <li>- Comfortable and secure portability</li> <li>- Can be used in both portrait and landscape modes</li> <li>- Simply detach the plastic clip on the Y-Strap and drape over the back of the Gamber-Johnson dock when docking</li> <li>- 1 Year Limited Warranty</li> </ul>					
<b>PORT REPLICATOR</b>					
<ul style="list-style-type: none"> <li>- (2) USB 1.1</li> <li style="text-align: right;">1.5A each</li> </ul>					



**SAMSUNG GALAXY TAB ACTIVE2/TAB ACTIVE3 CHARGING CRADLE KITS**

ITEM NO.	DESCRIPTION	POWER SUPPLY	WEIGHT	HEIGHT	WIDTH	DEPTH
7160-1313-00	Samsung Galaxy Tab Active2/Tab Active3 Charging Cradle with Power Adapter and Bare Wire Lead	Yes	0.44 lbs 0.2 kg	5.68" 14.43 cm	9.27" 23.55 cm	1.9" 4.83 cm
7160-1313-01	Samsung Galaxy Tab Active2/Tab Active3 Charging Cradle with Power Adapter and Cigarette Lighter Connector	Yes	0.44 lbs 0.2 kg	5.68" 14.43 cm	9.27" 23.55 cm	1.9" 4.83 cm
<b>FEATURES</b>						
<ul style="list-style-type: none"> <li>- Designed for the Samsung Galaxy Tab Active2/Tab Active3 rugged tablet with rugged case</li> <li>- Access to all control buttons and camera while docked</li> <li>- Cradle design is compatible with Samsung's built-in Near Field Communication (NFC); perform tasks with another NFC device without taking the Samsung tablet out of the cradle</li> <li>- USB-C charging port with integrated cable restraint (to connect to power supply), includes USB-C charging cable with bare wire end</li> <li>- 12-24V power input range to support a wide range of mobile applications</li> <li>- 5V, 3A Max of output</li> <li>- Simple, one-handed operation:                             <ul style="list-style-type: none"> <li>- Insert bottom of the smartphone into the cradle, push top of the smartphone against top clip until clip engages</li> <li>- To remove, push up on top clip with thumb and pull smartphone out of cradle</li> </ul> </li> <li>- AMPs mounting pattern</li> <li>- MIL-STD 810G shock/vibration, RoHS, FCC, CE, and SAE J1455 crash certifications</li> <li>- 3-Year Limited Warranty</li> </ul>						
<b>PORT REPLICATOR</b>						
<ul style="list-style-type: none"> <li>- USB-C Power Input</li> </ul>						



7160-1313-00



7160-1313-01

**SAMSUNG GALAXY TAB ACTIVE2/TAB ACTIVE3 CRADLE**



ITEM NO.	DESCRIPTION	WEIGHT	HEIGHT	WIDTH	DEPTH
7160-1313-02	Samsung Galaxy Tab Active2/Tab Active3 Cradle	0.44 lbs 0.2 kg	5.68" 14.43 cm	9.27" 23.55 cm	1.9" 4.83 cm

**FEATURES**

- Designed for the Samsung Galaxy Tab Active2/Tab Active3 rugged tablet with rugged case
- Access to all control buttons and camera while docked
- Cradle design is compatible with Samsung's built-in Near Field Communication (NFC); perform tasks with another NFD device without taking the Samsung tablet out of the cradle
- Minimal design for weight reduction
- Simple, one-handed operation:
  - Insert bottom of the smartphone into the cradle, push top of the smartphone against top clip until clip engages
  - To remove, push up on top clip with thumb and pull smartphone out of cradle
- AMPS mounting pattern
- MIL-STD 810G shock/vibration, RoHS, FCC, CE, and SAE J1455 crash certifications
- 3-Year Limited Warranty

**SAMSUNG GALAXY TAB ACTIVE2 POWER PASS THROUGH MODULE KIT**



ITEM NO.	DESCRIPTION	PLACEMENT	HEIGHT	WIDTH	DEPTH
7160-1023-00	Samsung Power Pass Through Module Kit	Use with Samsung Galaxy Tab Active2 tablets and corresponding docking stations	3.12" 7.9 cm	4.06" 10.3 cm	.12" .30 cm

**FEATURES**

- Replaces the tablet's battery and allows your tablet to be charged directly from the vehicle's power source using the docking station
- Works with Samsung Galaxy Tab Active2 tablets and docking stations, can also be used with the Samsung Galaxy Tab Active docking station
- Ideal solution when the tablet is intended to be permanently mounted
- Kit Includes Power Pass Through Module, Special tablet back cover

**Warning:** The Power Pass Through Module will not work with old tablets and will not work with other manufacturers products

**SAMSUNG GALAXY TAB ACTIVE2/TAB ACTIVE3 ACCESSORIES**



ITEM NO.	DESCRIPTION	PLACEMENT	WEIGHT	HEIGHT	WIDTH	DEPTH
7160-1606	Samsung Tab Active2/Tab Active3 Tablet Protective Cover	Secured between Samsung Tab Active2/Tab Active3 Tablet Cradle/Dock and Mount	0.9 lbs 0.4 kg	7.8" 19.8 cm	13.5" 34.3 cm	2.5" 6.4 cm
7160-1607	Thermal Pad Insert Thermal Pad Insert	Velcros into 7160-1606 Samsung Tab Active2/Tab Active3 Protective Cover	0.4 lbs 0.1 kg	1.0" 2.5 cm	21.0" 53.3 cm	0.9" 2.3 cm
7300-0512-3	Samsung Tab Active2/Tab Active3 Replacement Screen	Attaches to existing Samsung Tab Active2/Tab Active3 Protective Cover (7160-1606)	0.1 lbs 0.1 kg	6.9" 17.5 cm	13.5" 34.3 cm	0.2" 0.5 cm

**SAMSUNG GALAXY TAB ACTIVE PRO CRADLE**



ITEM NO.	DESCRIPTION	WEIGHT	HEIGHT	WIDTH	DEPTH
7160-1418-90	Samsung Galaxy Tab Active Pro Cradle (No Electronics)	1.1 lbs 0.46 kg	8.5" 21.5 cm	10.5" 26.6 cm	2.5" 6.35 cm

**FEATURES**

- Designed for the Samsung Galaxy Tab Active Pro 10" rugged tablet with rugged case
- Access to all control buttons, camera, ports and stylus while the tablet is safely docked
- Cradled design is compatible with Samsung's built-in Near Field Communication (NFC) allowing users to easily scan NFC cards while the Samsung tablet is in the docking station
- Composite design for reduced overall weight
- Can be mounted on a flat vertical surface
- Barrel Key lock for theft deterrence
- Simple, one-handed cradle and release operation:
  - Insert bottom of Samsung tablet into the cradle and push top of the tablet in until the lock engages
  - Push latch button up with your thumb then remove the tablet from the cradle
- VESA 75 mm mounting pattern making it easily compatible with Zirkona products and more
- MIL-STD 810G shock/vibration, RoHS, FCC, CE, and SAE J1455 crash certifications
- Lifetime Limited Warranty



**SAMSUNG GALAXY TAB ACTIVE PRO DOCKING STATION**

ITEM NO.	DESCRIPTION	POWER ADAPTER INCLUDED	WEIGHT	HEIGHT	WIDTH	DEPTH
7160-1418-00	Samsung Galaxy Tab Active Pro Docking Station with Bare Wire Lead	No	1.3 lbs 0.58 kg	8.5" 21.5 cm	10.5" 26.6 cm	2.5" 6.35 cm
7160-1418-20	Samsung Galaxy Tab Active Pro Docking Station with Cigarette Lighter Connector	No	1.3 lbs 0.58 kg	8.5" 21.5 cm	10.5" 26.6 cm	2.5" 6.35 cm
7160-1418-30	Samsung Galaxy Tab Active Pro Docking Station with MP205 Connector	No	1.3 lbs 0.58 kg	8.5" 21.5 cm	10.5" 26.6 cm	2.5" 6.35 cm
7170-0697-00	Samsung Galaxy Tab Active Pro Docking Station with Hand Strap	No	1.3 lbs 0.58 kg	8.5" 21.5 cm	10.5" 26.6 cm	2.5" 6.35 cm
7170-0697-31	Samsung Galaxy Tab Active Pro Docking Station with AC Power Adapter	Yes	1.3 lbs 0.58 kg	8.5" 21.5 cm	10.5" 26.6 cm	2.5" 6.35 cm
7170-0697-32	Samsung Galaxy Tab Active Pro Docking Station with 12-32V Isolated Power Adapter	Yes	1.3 lbs 0.58 kg	8.5" 21.5 cm	10.5" 26.6 cm	2.5" 6.35 cm
7170-0697-33	Samsung Galaxy Tab Active Pro Docking Station with 20-60V Isolated Power Adapter	Yes	1.3 lbs 0.58 kg	8.5" 21.5 cm	10.5" 26.6 cm	2.5" 6.35 cm
7170-0697-34	Samsung Galaxy Tab Active Pro Docking Station with 70-110V Isolated Power Adapter	Yes	1.3 lbs 0.58 kg	8.5" 21.5 cm	10.5" 26.6 cm	2.5" 6.35 cm
7170-0698-00	Samsung Galaxy Tab Active Pro Docking Station with Hand Strap, Rugged Lite Keyboard with Quick Release Keyboard Tray	No	1.3 lbs 0.58 kg	8.5" 21.5 cm	10.5" 26.6 cm	2.5" 6.35 cm
7160-1465-00	Samsung Tab Active Pro Tablet Hand Strap	N/A	0.05 lbs 0.02 kg	0.87" 2.20 cm	10.75" 27.3 cm	3.12 7.92 cm



7160-1418-00



7160-1418-00



7160-1418-00

**FEATURES**

- Designed for the Samsung Galaxy Tab Active Pro 10" rugged tablet with rugged case
- Dual powered USB ports; 1.5A for each port for connecting peripheral devices
- 10-40V power input range to support a wide range of mobile applications
- Access to all control buttons, camera, ports and stylus while the tablet is safely docked
- Dock design is compatible with Samsung's built-in Near Field Communication (NFC) allowing users to easily scan NFC cards while the Samsung tablet is in the docking station
- POGO pin connector and internal power supply provides power to charge the Samsung tablet while docked
- Composite design for reduced overall weight
- Can be mounted on a flat vertical surface
- Push-button lock with key for theft deterrence
- Approximately 66" (167.6 cm) power cable with bare wire end
- Simple, one-handed cradle operation:
  - Insert bottom of Samsung tablet into the docking station and push top of the tablet in until the lock engages
  - Push latch button up with your thumb then remove the tablet from the docking station
- VESA 75 mm mounting pattern making it easily compatible with Zirkona products and more
- MIL-STD 810G shock/vibration, RoHS, FCC, CE, and SAE J1455 crash certifications
- 3-Year Limited Warranty

Port Replicator  
 - (2) USB 2.0                      1.5A each

**2-IN-1 ATTACHABLE KEYBOARD FOR THE SAMSUNG GALAXY TAB ACTIVE PRO/TAB ACTIVE4 PRO TABLET**



ITEM NO.	DESCRIPTION	WEIGHT	HEIGHT	WIDTH	DEPTH
<b>7160-1450-00</b>	2-in-1 Attachable Keyboard for the Samsung Galaxy Tab Active Pro/Tab Active4 Pro Tablet	1.60 lbs 0.72 kg	1.5" 3.81 cm	10.31" 26.18 cm	7.56" 19.20 cm

**FEATURES**

- Designed to fit Samsung Galaxy Tab Active Pro/ Active4 Pro Tablet
- Easily connect the tablet to the keyboard; slip the bottom of the tablet into the case and snap the top of the case over the tablet
- Samsung S Pen is accessible when the tablet is docked in the keyboard case
- All the Samsung Tab Active Pro control buttons and rear camera are accessible when the tablet is docked onto the keyboard
- Friction hinge and screen footrest position the tablet at a comfortable viewing angle
- Low-profile ergonomic design for ease of use in a mobile environment
- Rubber feet to prevent slippage
- Integrated center touchpad with right and left mouse buttons
- 76-key keyboard with 12 function keys for custom operation
- Silicone rubber keys with white lettering and a rugged polycarbonate case
- POGO docking connector links the tablet to the keyboard
- USB-C port charges the tablet without having to separate it from the keyboard
- USB- A port to attach a mouse, another peripheral, or flash drive
- Easily connect the tablet to the keyboard; slip the bottom of the tablet into the case and snap the top of the case over the tablet
- Available in US English (7160-1450-00), UK (7160-1450-01), German (7160-1450-02), French (7160-1450-03), Spanish (7160-1450-04), French CA (7160-1450-05), Thai (7160-1450-06), Arabic (7160-1450-07), Nordic (7160-1450-08), and Hebrew (7160-1450-09). Contact Gamber-Johnson for other language options. Alternative language overlays other than US English may be subject to Minimum Order Quantities.
- Temperature range is -4° F (-20°C) to 140° F (60°C) when operating and -40° F (-40°C) to 185° F (85°C) for storage
- USB-A (2.0) Port: 5V@500mA
- Tablet input power: 5.4V, 1.5A
- MIL-STD 810G shock and vibration specifications, IP54 ingress specifications, Two million actuation per key, FCC CLASS-B (For - Home/Office Use), CE, RoHS, REACH
- Not designed to be vehicle mounted
- *\*Note:* To prevent tablet battery drainage, plug in power to the keyboard, turn off the tablet, or remove it from the keyboard
- 1 Year Limited Warranty (not designed to be vehicle mounted)

**BACK LIT 2-IN-1 ATTACHABLE KEYBOARD FOR THE SAMSUNG GALAXY TAB ACTIVE PRO/ACTIVE4 PRO TABLET**



ITEM NO.	DESCRIPTION	WEIGHT	HEIGHT	WIDTH	DEPTH
<b>7160-1869-00</b>	Back Lit 2-in-1 Attachable Keyboard for the Samsung Galaxy Tab Active Pro/Tab Active4 Pro Tablet	1.60 lbs 0.72 kg	1.5" 3.81 cm	10.31" 26.18 cm	7.56" 19.20 cm

**FEATURES**

- Integrated center touchpad with right and left mouse button
- 76-key keyboard with 12 function keys for custom operation
- Silicone rubber keys with white lettering and a rugged polycarbonate case
- POGO docking connector links the tablet to the keyboard
- USB-C charging port charges the tablet without having to separate it from the keyboard
- USB- A port to attach a mouse, another peripheral, or flash drive
- Integrated red back lighting with four levels of intensity and ON/OFF control (F12 Key)
- Access to tablet USB-C for simulating DeX
- Power button to turn keyboard to reduce tablet power consumption
- Power adapter included
- Easily connect the tablet to the keyboard; slip the bottom of the tablet into the case and snap the top of the case over the tablet
- Samsung S Pen is accessible when the tablet is docked in the keyboard case
- All the Samsung Tab Active Pro/Active4 Pro control buttons and rear camera are accessible when the tablet is docked onto the keyboard
- Friction hinge and screen footrest help to position the tablet at a comfortable desktop viewing angle
- Low-profile ergonomic design for ease of use in a mobile environment
- Rubber feet to prevent slippage
- Available in US English, UK, German, French, and Spanish. Contact Gamber-Johnson for other language options. Minimum Alternative language overlays other than US English may be subject to Minimum Order Quantities.
- 1 Year Warranty (not designed to be vehicle mounted)
- *\*Note:* To prevent tablet battery drainage, plug in power to the

**SAMSUNG GALAXY TAB ACTIVE PRO DOCKING STATION KIT**

ITEM NO.	DESCRIPTION	WEIGHT	HEIGHT	WIDTH	DEPTH
<b>7170-0698-00</b>	Samsung Galaxy Tab Active Pro Docking Station Kit <b>Kit Includes:</b> Samsung Galaxy Tab Active Pro Docking Station (7160-1418-00), Rugged Lite Keyboard (7160-1449-00), Quick Release Keyboard Cradle (7160-1470-00) and Hand Strap (7160-1465-00)				
<b>7160-1418-00</b>	Samsung Tab Active Pro Docking Station	1.3 lbs .58 kg	8.5" 21.5 cm	10.5" 26.6 cm	2.5" 6.35 cm
<b>7160-1449-00</b>	Rugged Lite Keyboard	1 lbs 0.45 kg	0.68" 1.72 cm	10.31" 26.18 cm	7.12" 18.08 cm
<b>7160-1470-00</b>	Quick Release Keyboard Cradle	0.55 lbs 0.25 kg	1.01" 2.53 cm	5.5" 13.97 cm	7.35" 18.66 cm
<b>7160-1465-00</b>	Samsung Tab Active Pro Hand Strap	0.05 lbs .02 kg	.87" 2.20 cm	10.75" 27.3 cm	3.12" 7.92 cm



7160-1418-00



7160-1449-00



7160-1470-00



7160-1465-00

**FEATURES**

**Docking Station**

- Dual powered USB ports; 1.5A for each port for connecting peripheral devices
- 10-40V power input range to support a wide range of mobile applications
- Access to all control buttons, camera, ports and stylus while the tablet is safely docked
- POGO pin connector and internal power supply provides power to charge the Samsung tablet while docked
- 3-Year Limited Warranty

**Rugged Lite Keyboard**

- Integrated center Touchpad with right and left mouse button
- 76-key keyboard with 12 function keys for custom operation
- Supports Windows (XP or Above), Android, Linux, and Mac OS / iOS platforms
- Available in US English (7160-1449-00), UK (7160-1449-01), German (7160-1449-02), French (7160-1449-03), and Spanish (7160-1449-04). Contact Gamber-Johnson for other language options
- Visit [gamberjohnson.com](http://gamberjohnson.com) for full list of product specifications
- MIL-STD 810G shock/vibration, SAE J1455, RoHS, FCC, CE, REACH
- 1 Year Limited Warranty

**Quick Release Keyboard Cradle**

- Compatible with Gamber-Johnson USB Mobile Keyboard (7160-1449-00)
- Easily insert or release the USB keyboard:
- Insert bottom of keyboard into tray, match indents in keyboard with hooks on tray, then push top of keyboard into tray and engage latch
- To remove, push latch to disengage and pull keyboard out of computer out of tray
- VESA 75 mm mounting pattern, attaches to most Gamber-Johnson motion attachments
- Black powder coat finish
- Keyboard can be permanently attached to keyboard cradle using two #6 machine screws
- Limited Lifetime Warranty

**Hand Strap**

- Hand strap easily slips over the diagonal corners of the tablet
- Cushioned pad for comfort
- 1 Year Limited Warranty

**GAMBER-JOHNSON'S RUGGED LITE KEYBOARD**

ITEM NO.	DESCRIPTION	WEIGHT	HEIGHT	WIDTH	DEPTH
<b>7160-1449-00</b>	Rugged Lite Keyboard	1 lbs 0.45 kg	0.68 in 1.72 cm	10.31 in 26.18 cm	7.12 in 18.08 cm



**FEATURES**

- Integrated center Touchpad with right and left mouse buttons
- 76-key keyboard with 12 function keys for custom operation
- Low-profile ergonomic design for ease of use in a mobile environment
- Equipped with an emergency key that is configurable and be used to send for emergency help or assistance to dispatch
- Silicone rubber keys with white lettering and a rugged ABS polycarbonate case
- USB Type A male connector (coiled cable) input cable
- Supports Windows (XP or Above), Android, Linux, and Mac OS / iOS platforms
- USB- A port to attach a mouse, another peripheral, or flash drive (USB 2.0 500mA)
- Rubber feet to prevent slippage
- Power: 5Vdc @ <500mA from data cord
- Keyboard is compatible with Gamber-Johnson quick release keyboard cradle (7160-1470-00). Keyboard can be permanently attached to keyboard cradle using two #6 machine screws.
- Available in US English (7160-1449-00), UK (7160-1449-01), German (7160-1449-02), French (7160-1449-03), and Spanish (7160-1449-04). Contact Gamber-Johnson for other language options.
- Temperature range is -4° F (-20°C) to 140° F (60°C) when operating and -40° F (-40°C) to 185° F (85°C) for storage
- Designed to IP54 ingress specifications
- Tested to two million actuation per key
- MIL-STD 810G shock/vibration, SAE J1455, RoHS, FCC, CE, REACH
- 1 Year Limited Warranty

**GAMBER-JOHNSON'S RUGGED LITE BACKLIT KEYBOARD**



ITEM NO.	DESCRIPTION	WEIGHT	HEIGHT	WIDTH	DEPTH
7160-1683-00	Rugged Lite Backlit Keyboard	1 lbs 0.45 kg	10.31" 26.19 cm	0.56" 1.42 cm	7.12 in 18.08 cm

**FEATURES**

- Integrated center Touchpad with right and left mouse button
- 76-key keyboard with 12 function keys for custom operation
- Integrated red backlighting with four levels of intensity and ON/OFF control (F12 Key)
- Low-profile ergonomic design for ease of use in a mobile environment
- Emergency Key - a configurable key that can be used to send for emergency help or assistance
- Silicone rubber keys with white lettering and a rugged ABS polycarbonate case
- Input cable: USB Type A male connector (1.5 m/59.0 inch cable)
- Supports Windows (XP or Above), Android, Linux, and Mac OS / iOS platforms
- USB- A port to attach a mouse, another peripheral, or flash drive (USB 2.0 500mA)
- Rubber feet to prevent slippage
- Keyboard is compatible with Gamber-Johnson custom keyboard tray (7160-1470-00)
- Available in US English (7160-1683-00), UK (7160-1683-01), German (7160-1683-02), French (7160-1683-03), and Spanish (7160-1683-04). Contact Gamber-Johnson for other language options. Minimum Order Quantity 250 units on all languages other than US English.
- Power: 5Vdc @ <500mA from data cord
- Designed and tested to MIL-STD 810G shock and vibration specifications
- Temperature range: OPERATING: -20°C to 60°C STORAGE: -40°C to 85°C
- Designed to IP54 ingress specifications
- Tested to two million actuation per key
- MIL-STD 810G shock/vibration, SAE J1455, RoHS, FCC, CE, REACH
- 1 Year Limited Warranty

**RUGGED LITE BACKLIT KEYBOARD AND QUICK RELEASE KEYBOARD CRADLE**



7160-1470-00

ITEM NO.	DESCRIPTION	WEIGHT	HEIGHT	WIDTH	DEPTH
7170-0817-01	Rugged Lite Backlit Keyboard and Quick Release Keyboard Cradle <b>Kit Includes:</b> Rugged Lite Backlit Keyboard (7160-1683-00) and Quick Release Keyboard Cradles (7160-1470-00)	1 lbs 0.45 kg	10.31" 26.19 cm	0.56" 1.42 cm	7.12 in 18.08 cm
7160-1470-00	Quick Release Keyboard Cradle	0.55 lbs 0.25 kg	1.01" 2.53 cm	5.5" 13.97 cm	7.35" 18.66 cm
7160-1683-00	Rugged Lite Backlit Keyboard	1 lbs 0.45 kg	10.31" 26.19 cm	0.56" 1.42 cm	7.12 in 18.08 cm

**FEATURES**

- Integrated center Touchpad with right and left mouse button
  - 76-key keyboard with 12 function keys for custom operation
  - Integrated red backlighting with four levels of intensity and ON/OFF control (F12 Key)
  - Low-profile ergonomic design for ease of use in a mobile environment
  - Emergency Key - a configurable key that can be used to send for emergency help or assistance
  - Silicone rubber keys with white lettering and a rugged ABS polycarbonate case
  - Input cable: USB Type A male connector (1.5 m/59.0 inch cable)
  - Supports Windows (XP or Above), Android, Linux, and Mac OS / iOS platforms
  - USB- A port to attach a mouse, another peripheral, or flash drive (USB 2.0 500mA)
  - Rubber feet to prevent slippage
  - Keyboard is compatible with Gamber-Johnson custom keyboard tray (7160-1470-00)
  - Available in US English (7160-1683-00), UK (7160-1683-01), German (7160-1683-02), French (7160-1683-03), and Spanish (7160-1683-04). Contact Gamber-Johnson for other language options. Minimum Order Quantity 250 units on all languages other than US English.
  - Power: 5Vdc @ <500mA from data cord
  - Designed and tested to MIL-STD 810G shock and vibration specifications
  - Temperature range: OPERATING: -20°C to 60°C STORAGE: -40°C to 85°C
  - Designed to IP54 ingress specifications
  - Two million actuations per key
- Quick Release Keyboard Cradle**
- Compatible with Gamber-Johnson USB Mobile Keyboard (7160-1449-00)
  - Easily insert or release the USB keyboard:
    - Insert bottom of keyboard into tray, match indents in keyboard with hooks on tray, then push top of keyboard into tray and engage latch
    - To remove, push latch to disengage and pull keyboard out of computer out of tray
  - VESA 75 mm mounting pattern, attaches to most Gamber-Johnson motion attachments
  - Black powder coat finish
  - Keyboard can be permanently attached to keyboard cradle using two #6 machine screws
  - FCC, CE, UKCA, C-Tick, RoHS, REACH
  - 1 Year Limited Warranty



7160-1683-00

**SAMSUNG GALAXY TAB ACTIVE PRO HAND STRAP**

ITEM NO.	DESCRIPTION	WEIGHT	HEIGHT	WIDTH	DEPTH
7160-1465-00	Hand Strap	0.05 lbs 0.02 kg	.87" 2.20 cm	10.75" 27.3 cm	3.12" 7.92 cm



**FEATURES**

- Designed for the Samsung Galaxy Tab Active Pro 10" rugged tablet with rugged case
- Compatible with Gamber-Johnson's Tab Active Pro docking station - easily dock the tablet in the docking station with the hand strap attached
- Hand strap easily slips over the diagonal corners of the tablet
- Cushioned pad for comfort
- 1 Year Limited Warranty

**QUICK RELEASE KEYBOARD CRADLE**

ITEM NO.	DESCRIPTION	WEIGHT	HEIGHT	WIDTH	DEPTH
7160-1470-00	Quick Release Keyboard Cradle	0.55 lbs. 0.25 kg	1.01" 2.53 cm	5.5" 13.97 cm	7.35" 18.66 cm



**FEATURES**

- Compatible with Gamber-Johnson Rugged Lite Keyboard (7160-1449-00)
- Easily insert or release the Rugged Lite Keyboard:
  - Insert bottom of keyboard into cradle, match indents in keyboard with hooks on cradle, then push top of keyboard into cradle and engage latch
  - To remove, push latch to disengage and pull keyboard out of cradle
- Black powder coat finish
- Keyboard can be permanently attached to keyboard cradle using two #6 machine screws
- VESA 75 mm mounting pattern (#8 mounting studs), attach to most Gamber-Johnson motion attachments
- Limited Lifetime Warranty

**RUGGED LITE KEYBOARD AND QUICK RELEASE KEYBOARD CRADLE KIT**

ITEM NO.	DESCRIPTION	WEIGHT	HEIGHT	WIDTH	DEPTH
7170-0817-00	Rugged Lite Keyboard and Quick Release Keyboard Cradle Kit <b>Kit Includes:</b> Rugged Lite Keyboard (7160-1449-00) and Quick Release Keyboard Cradle (7160-1470-00)				
7160-1449-00	Rugged Lite Keyboard	0.25 lbs 0.11 kg	1.01" 2.53 cm	5.5" 13.97 cm	7.35" 18.66 cm
7160-1470-00	Quick Release Keyboard Cradle	1 lbs 0.45 kg	0.56" 1.42 cm	10.31" 26.18 cm	7.12" 18.08 cm



**FEATURES**

**Rugged Lite Keyboard**

- Integrated center Touchpad with right and left mouse button
- 76-key keyboard with 12 function keys for custom operation
- Low-profile ergonomic design for ease of use in a mobile environment
- Equipped with an emergency key that is configurable and be used to send for emergency help or assistance to dispatch
- Silicone rubber keys with white lettering and a rugged ABS poly-carbonate case
- USB Type A male connector (coiled cable) input cable
- Supports Windows (XP or Above), Android, Linux, and Mac OS / iOS platforms
- USB- A port to attach a mouse, another peripheral, or flash drive (USB 2.0 500mA)
- Rubber feet to prevent slippage
- Keyboard is compatible with Gamber-Johnson quick release keyboard cradle (7160-1470-00)
- Available in US English (7160-1449-00), UK (7160-1449-01), German (7160-1449-02), French (7160-1449-03), and Spanish (7160-1449-04). Contact Gamber-Johnson for other language options
- 1 Year Limited Warranty

**Quick Release Keyboard Cradle**

- Compatible with Gamber-Johnson USB Mobile Keyboard (7160-1449-00)
- Easily insert or release the USB keyboard:
  - Insert bottom of keyboard into tray, match indents in keyboard with hooks on tray, then push top of keyboard into tray and engage latch
  - To remove, push latch to disengage and pull keyboard out of computer out of tray
- VESA 75 mm mounting pattern, attaches to most Gamber-Johnson motion attachments
- Black powder coat finish
- Keyboard can be permanently attached to keyboard cradle using two #6 machine screws
- Limited Lifetime Warranty

**SAMSUNG GALAXY XCOVER PRO CHARGING CRADLE**



ITEM NO.	DESCRIPTION	WEIGHT	HEIGHT	WIDTH	DEPTH
7160-1488-00	Samsung Galaxy XCover Pro Charging Cradle with Bare Wire Lead	0.18 lbs 0.08 kg	7.1" 18.03 cm	3.4" 8.64 cm	1.7" 4.32 cm
7160-1488-10	Samsung Galaxy XCover Pro Charging Cradle with Cigarette Lighter Connector	0.18 lbs 0.08 kg	7.1" 18.03 cm	3.4" 8.64 cm	1.7" 4.32 cm

**FEATURES**

- Designed for the Samsung Galaxy XCover Pro 6" rugged Smartphone without accessories
- 5-36V power input range to support a wide range of mobile applications
- Access to all control buttons and camera while docked
- Charging cradle design is compatible with Samsung's built-in Near Field Communication (NFC); scan NFC cards while the Samsung phone is in the charging cradle
- POGO pin connector and internal power supply provides power to charge the Samsung phone while docked
- USB-C charging port with integrated cable restraint, includes USB-C charging cable with bare wire end
- Minimal design for weight reduction
- Simple, one-handed operation:
  - Insert bottom of the smartphone into the cradle, push top of the smartphone against top clip until clip engages
  - To remove, push up on top clip with thumb and pull smartphone out of cradle
- USB-C charging port with integrated cable restraint, includes USB-C charging cable with bare wire end
- AMPS mounting pattern
- MIL-STD 810G shock/vibration, RoHS, FCC, CE, and SAE J1455 crash certifications
- 1 Year Limited Warranty

**SAMSUNG GALAXY XCOVER 5 CRADLE (NO ELECTRONICS)**



ITEM NO.	DESCRIPTION	WEIGHT	HEIGHT	WIDTH	DEPTH
7160-1625-90	Samsung Galaxy XCover 5 Cradle (no electronics)	0.22 lbs 0.1 kg	6.5" 16.51 cm	3.1" 7.87 cm	1.5" 3.81 cm

**FEATURES**

- Designed for the Samsung Galaxy XCover 5 smartphone without accessories
- Access to all control buttons and camera while docked
- Charging Cradle design is compatible with Samsung's built-in barcode scanning using the onboard camera and long and short-range RFID reading capabilities which are optimized for fast, accurate data transmission
- Simple, one-handed operation:
  - Insert the bottom of the smartphone into the cradle, rotate the phone back, pressing until the latch snaps over the top of the phone
  - To remove, press up on the release button until the latch clears the top of the phone, rotate the phone forward and pull it away from the cradle
- AMPS mounting pattern
- MIL-STD 810G shock/vibration and SAE J1455 crash certifications
- 1 Year Limited Warranty

**SAMSUNG GALAXY XCOVER 5 CHARGING CRADLE**



7160-1625-10



7160-1625-20

ITEM NO.	DESCRIPTION	WEIGHT	HEIGHT	WIDTH	DEPTH
7160-1625-10	Samsung Galaxy XCover 5 Charging Cradle with Bare Wire	0.22 lbs 0.1 kg	6.5" 16.51 cm	3.1" 7.87 cm	1.5" 3.81 cm
7160-1625-20	Samsung Galaxy XCover 5 Charging Cradle with Cigarette Lighter Connector	0.22 lbs 0.1 kg	6.5" 16.51 cm	3.1" 7.87 cm	1.5" 3.81 cm

**FEATURES**

- Designed for the Samsung Galaxy Xcover 5 smartphone without accessories
- 10-40V power input range to support a wide range of mobile applications
- Access to all control buttons and camera while docked
- Charging Cradle design is compatible with Samsung's built-in barcode scanning using the onboard camera and long and short-range RFID reading capabilities which are optimized for fast, accurate data transmission
- Simple, one-handed operation:
  - Insert the bottom of the smartphone into the cradle, rotate the phone back, pressing until the latch snaps over the top of the phone
  - To remove, press up on the release button until the latch clears the top of the phone, rotate the phone forward and pull it away from the cradle
- POGO pin connector and internal power supply provides power to charge the Samsung phone while docked
- Fast Charging through POGO pin connector
- AMPS mounting pattern – compatible with Zirkona
- Integrated bare wire charging cable
- MIL-STD 810G shock/vibration and SAE J1455 crash certifications
- 1 Year Limited Warranty

**SAMSUNG DeX HEADS UP VEHICLE KIT**

ITEM NO.	DESCRIPTION	WEIGHT	HEIGHT	WIDTH	DEPTH
<b>7170-0757-00</b>	DeX Heads Up Vehicle Kit <b>Kit Includes:</b> 13.3" Capacitive Touch Screen (7160-1451-00), Rugged USB Hub (7160-1393-00), Rugged Lite Keyboard (7160-1449-00), Quick Release Keyboard Cradle (7160-1470-00), Heads Up Mounting Bracket (18540) and Heads Up Articulating Mount (7110-1237)				
<b>7160-1451-00</b>	13.3" Capacitive Touch Screen	6.65 lbs 3.02 kg	9.94" 25.25 cm	13.75" 34.93 cm	1.57" 3.99 cm
<b>7160-1393-00</b>	Rugged USB Hub	0.25 lbs 0.11 kg	2.05" 5.21 cm	4.36" 11.07 cm	5.62" 14.27 cm
<b>7160-1449-00</b>	Rugged Lite Keyboard	1 lbs 0.45 kg	0.68" 1.73 cm	10.31" 26.19 cm	7.12" 18.08 cm
<b>7160-1470-00</b>	Quick Release Keyboard Cradle	0.55 lbs 0.25 kg	1.01" 2.57 cm	10.31" 26.19 cm	7.35" 18.67 cm
<b>18540</b>	Heads Up Mounting Bracket	0.74 lbs 0.34 kg	0.5" 1.27 cm	12" 30.48 cm	5.75" 14.61 cm
<b>7110-1237</b>	Heads Up Articulating Mount	0.2 lbs 0.09 kg	2.75" 6.99 cm	2.12" 5.38 cm	2.12" 5.38 cm



7170-0757-00



7160-1449-00



7160-1470-00

**FEATURES**

- Add a compatible Heads Up Smartphone Docking Station (7160-1394-XX) to complete your DeX vehicle solution. Must Order Separately.
- Smartphone requires a Rebel Smartphone Case (18551-XX) to be compatible with the smartphone docking station. Must Order Separately.
- DeX Heads Up vehicle solution positions the smartphone dock next to the touchscreen where you can use your phone as a secondary screen or a touchpad device
- Screen is 13.3" with a 5-point capacitive touchscreen, high resolution 1920 x 1080, and adjustable brightness (50-1000 nits)
- Mount the 13.3" touchscreen to a Gamber-Johnson close-to-dash mount (7160-1346 or 7160-0822) or tablet display mount (7160-0529 or 7160-0494) for optimal viewing
- Rugged USB hub provides port replication to connect all peripherals; conceal under the instrument panel, or console box or mounted to the heads up mount bracket
- Rugged Lite Keyboard features an integrated center touchpad with right and left mouse button and 76-key keyboard with 12 function keys for custom operation
- Quick release keyboard cradle allows users to remove keyboard to a different work surface and return to the keyboard mount when complete
- Gamber-Johnson offers several DeX solutions including:
  - The DeX Armrest Vehicle solution that positions the smartphone dock in the vehicle armrest next to the driver where it is out of the way but still accessible
  - The DeX Desktop solution that enable the mobile worker to transition from vehicle to desktop seamlessly
- MIL-STD 810G shock/vibration, SAE J1455, FCC, CE, RCM, RoHS, REACH
- See individual kit components for warranty details

Note: Visit [gamberjohnson.com](http://gamberjohnson.com) for full list of product specifications

**SAMSUNG GALAXY XCOVER PRO CRADLE**

ITEM NO.	DESCRIPTION	WEIGHT	HEIGHT	WIDTH	DEPTH
<b>7160-1488-90</b>	Samsung Galaxy XCover Pro Cradle (No Electronics)	0.18 lbs 0.08 kg	7.1" 18.03 cm	3.4" 8.64 cm	1.7" 4.32 cm

**FEATURES**

- Designed for the Samsung Galaxy XCover Pro 6" rugged Smartphone without accessories
- Access to all control buttons and camera while docked
- Cradle design is compatible with Samsung's built-in Near Field Communication (NFC); scan NFC cards while the Samsung phone is in the cradle
- Minimal design for weight reduction
- Cradle can be mounted on a flat surface
- Simple, one-handed operation:
  - Insert bottom of the smartphone into the cradle, push top of the smartphone against top clip until clip engages
  - To remove, push up on top clip with thumb and pull smartphone out of cradle
- AMPS mounting pattern
- MIL-STD 810G shock/vibration, RoHS, FCC, CE, and SAE J1455 crash certifications
- 1 Year Limited Warranty



**SAMSUNG DeX HEADS UP VEHICLE KIT WITHOUT HUB**



ITEM NO.	DESCRIPTION	WEIGHT	HEIGHT	WIDTH	DEPTH
<b>7170-0757-02</b>	DeX Heads Up Vehicle Kit without Hub; 13.3" Touch Screen Display <b>Kit Includes:</b> power cable, HDMI cable, USB Type B cable (7160-1451-00), Smartphone Dock Heads Up Articulating Mount (7110-1237), Smartphone Dock Heads Up Mount Bracket (18540), Rugged Lite Keyboard (7160-1449-00), Quick Release Keyboard Cradle (7160-1470-00)				
<b>7160-1451-00</b>	13.3" Touch Screen Display	6.65 lbs 3.02 kg	9.94 in 25.25 cm	13.75 in 34.93 cm	1.57 in 3.99 cm
<b>7110-1237</b>	Heads Up Articulating Mount	0.2 lbs 0.09 kg	2.75 in 6.99 cm	2.12 in 5.38 cm	2.12 in 5.38 cm
<b>7160-1449-00</b>	Rugged Lite Keyboard	1 lbs 0.45 kg	0.68 in 1.73 cm	10.31 in 26.19 cm	7.12 in 18.08 cm
<b>7160-1470-00</b>	Quick Release Keyboard Cradle	0.55 lbs 0.25 kg	1.01 in 2.57 cm	5.5 in 13.97 cm	7.35 in 18.67 cm
<b>18540</b>	Heads Up Mounting Bracket	0.74 lbs 0.34 kg	0.5 in 1.27 cm	12 in 30.48 cm	5.75 in 14.61 cm

**FEATURES**

- Add a compatible Heads Up Smartphone Docking Station (7160-1394-00 Note9), (7160-1394-01 S9+), (7160-1394-02 S9), (7160-1394-03 S10+), (7160-1394-04 S10), (7160-1394-05 Note10), (7160-1394-06 Note10+), (7160-1394-07 S10e) to complete your DeX vehicle solution. Must order Separately.
- Smartphone requires a Rebel phone case to be compatible with the smartphone docking station; (18551-00 Note9), (18551-01 S9+), (18551-02 S9), (18551-03 S10+), (18551-04 S10), (18551-05 Note10), (18551-06 Note10+) and (18551-07 S10e). Must order Separately.
- This DeX Heads Up vehicle solution positions the smartphone dock next to the touch screen where you can use your phone as a secondary screen or a touchpad device
- Mount the 13.3" touch screen to a Gamber-Johnson close-to-dash mount (7160-1346 or 7160-0822) or tablet display mount (7160-0529 or 7160-0494) for optimal viewing
- 13.3 inch 5-point capacitive touch screen, high resolution 1920 x 1080, Brightness: 50-1000 nits (adjustable)
- Quick release keyboard cradle; remove keyboard to a different work surface and return to the keyboard mount when complete
- Gamber-Johnson offers several DeX solutions including the DeX Desktop solution that enable the mobile worker to transition from vehicle to desktop seamlessly
- Contact Gamber-Johnson for more information about their DeX solution kits and DeX components and accessories
- MIL-STD 810G Shock/Vibration, Temperature/Humidity (operational and storage), SAE J1455, FCC, CE, RoHS, REACH
- Cycle Testing: Keyboard - 2 Million Actuations
- 1 Year Limited Warranty:
  - 13.3" Touch Screen (7160-1451-00)
  - Smartphone Dock Heads Up Articulating Mount (7110-1237)
- Limited Lifetime Warranty:
  - Smartphone Dock Heads Up Mount Bracket (18540)

**PORT REPLICATOR**

**13.3" Touchscreen Display (7160-1451-00)**

- (1) HDMI
- (1) VGA
- (1) USB type C (2A @ 5V) fast charging
- (1) USB type B (for Touch Control)
- (2) USB 3.0 (fast charging 1.5A)
- (1) Aux. out 3.5 mm
- (1) DC input (Barrel Jack)

**Rugged Lite Keyboard (7160-1449-00)**

- (1) USB Type A



**SAMSUNG DeX HEADS UP VEHICLE KIT WITHOUT HUB AND KEYBOARD**

ITEM NO.	DESCRIPTION	WEIGHT	HEIGHT	WIDTH	DEPTH
<b>7170-0757-03</b>	DeX Heads Up Vehicle Kit without Hub and Keyboard; 13.3" Touch Screen Display <b>Kit Includes:</b> power cable, HDMI cable, USB Type B cable (7160-1451-00), Smartphone Dock Heads Up Articulating Mount (7110-1237), Smartphone Dock Heads Up Mount Bracket (18540)				
<b>7160-1451-00</b>	13.3" Touch Screen Display	6.65 lbs 3.02 kg	9.94 in 25.25 cm	13.75 in 34.93 cm	1.57 in 3.99 cm
<b>7110-1237</b>	Heads Up Articulating Mount	0.2 lbs 0.09 kg	2.75 in 6.99 cm	2.12 in 5.38 cm	2.12 in 5.38 cm
<b>18540</b>	Heads Up Mounting Bracket	0.74 lbs 0.34 kg	0.5 in 1.27 cm	12 in 30.48 cm	5.75 in 14.61 cm



**FEATURES**

- Add a compatible Heads Up Smartphone Docking Station (7160-1394-00 Note9), (7160-1394-01 S9+), (7160-1394-02 S9), (7160-1394-03 S10+), (7160-1394-04 S10), (7160-1394-05 Note10), (7160-1394-06 Note10+), (7160-1394-07 S10e) to complete your DeX vehicle solution. Must order Separately.
- Smartphone requires a Rebel phone case to be compatible with the smartphone docking station; (18551-00 Note9), (18551-01 S9+), (18551-02 S9), (18551-03 S10+), (18551-04 S10), (18551-05 Note10), (18551-06 Note10+) and (18551-07 S10e). Must order separately.
- This DeX Heads Up vehicle solution positions the smartphone dock next to the touch screen where you can use your phone as a secondary screen or a touchpad device
- Mount the 13.3" touch screen to a Gamber-Johnson close-to-dash mount (7160-1346 or 7160-0822) or tablet display mount (7160-0529 or 7160-0494) for optimal viewing
- 13.3 inch 5-point capacitive touch screen, high resolution 1920 x 1080, Brightness: 50-1000 nits (adjustable)
- Gamber-Johnson offers several DeX solutions including the DeX desktop solution that enable the mobile worker to transition from vehicle to desktop seamlessly
- Contact Gamber-Johnson for more information about their DeX solution kits and DeX components and accessories
- MIL-STD 810G Shock/Vibration, Temperature/Humidity (operational and storage), SAE J1455, FCC, CE, RoHS, REACH
- 1 Year Limited Warranty:
  - 13.3" Touch Screen (7160-1451-00)
  - Smartphone Dock Heads Up Articulating Mount (7110-1237)
- Limited Lifetime Warranty:
  - Smartphone Dock Heads Up Mount Bracket (18540)

**PORT REPLICATOR**

**13.3" Touchscreen Display (7160-1451-00)**

- (1) HDMI
- (1) VGA
- (1) USB type C (2A @ 5V) fast charging
- (1) USB type B (for Touch Control)
- (2) USB 3.0 (fast charging 1.5A)
- (1) Aux. out 3.5 mm
- (1) DC input (Barrel Jack)

## DEX HEADS UP KIT WITH BACKLIT KEYBOARD



7160-1470-00

7160-1393-00



7160-1683-00

ITEM NO.	DESCRIPTION	WEIGHT	HEIGHT	WIDTH	DEPTH
<b>7170-0757-04</b>	DeX Heads Up Vehicle Kit without Hub; 13.3" Touch Screen Display <b>Kit Includes:</b> power cable, HDMI cable, USB Type B cable (7160-1451-00), Smartphone Dock Heads Up Articulating Mount (7110-1237), Smartphone Dock Heads Up Mount Bracket (18540), Rugged Lite Backlit Keyboard (7160-1683-00), Quick Release Keyboard Cradle (7160-1470-00), Rugged USB Hub (7160-1393-00)				
<b>7160-1451-00</b>	13.3" Touch Screen Display	6.65 lbs 3.02 kg	9.94 in 25.25 cm	13.75 in 34.93 cm	1.57 in 3.99 cm
<b>7110-1237</b>	Heads Up Articulating Mount	0.2 lbs 0.09 kg	2.75 in 6.99 cm	2.12 in 5.38 cm	2.12 in 5.38 cm
<b>7160-1683-00</b>	Rugged Lite Backlit Keyboard	1 lbs 0.45 kg	0.68 in 1.73 cm	10.31 in 26.19 cm	7.12 in 18.08 cm
<b>7160-1470-00</b>	Quick Release Keyboard Cradle	0.55 lbs 0.25 kg	1.01 in 2.57 cm	5.5 in 13.97 cm	7.35 in 18.67 cm
<b>7160-1393-00</b>	Rugged USB Hub	0.25 lbs 0.11 kg	2.05 in 5.21 cm	4.36 in 11.07 cm	5.62 in 14.27 cm
<b>18540</b>	Heads Up Mounting Bracket	0.74 lbs 0.34 kg	0.5 in 1.27 cm	12 in 30.48 cm	5.75 in 14.61 cm

### FEATURES

- Add a compatible Heads Up Smartphone Docking Station (7160-1394-00 Note9), (7160-1394-01 S9+), (7160-1394-02 S9), (7160-1394-03 S10+), (7160-1394-04 S10), (7160-1394-05 Note10), (7160-1394-06 Note10+), (7160-1394-07 S10e) to complete your DeX vehicle solution. Must order Separately.
- Smartphone requires a Rebel phone case to be compatible with the smartphone docking station; (18551-00 Note9), (18551-01 S9+), (18551-02 S9), (18551-03 S10+), (18551-04 S10), (18551-05 Note10), (18551-06 Note10+) and (18551-07 S10e). Must order Separately.
- This DeX Heads Up vehicle solution positions the smartphone dock next to the touch screen where you can use your phone as a secondary screen or a touchpad device
- Mount the 13.3" touch screen to a Gamber-Johnson close-to-dash mount (7160-1346 or 7160-0822) or tablet display mount (7160-0529 or 7160-0494) for optimal viewing
- 13.3 inch 5-point capacitive touch screen, high resolution 1920 x 1080, Brightness: 50-1000 nits (adjustable)
- Supports 4K HD screen expansion for multimedia capabilities
- Integrated red backlighting with four levels of intensity and ON/OFF control (F12 Key)
- Quick release keyboard cradle; remove keyboard to a different work surface and return to the keyboard mount when complete
- Gamber-Johnson offers several DeX solutions including the DeX Desktop solution that enable the mobile worker to transition from vehicle to desktop seamlessly
- Contact Gamber-Johnson for more information about their DeX solution kits and DeX components and accessories
- MIL-STD 810G Shock/Vibration, Temperature/Humidity (operational and storage), SAE J1455, FCC, CE, RoHS, REACH
- Cycle Testing: Keyboard - 2 Million Actuations
- 1 Year Limited Warranty:
  - 13.3" Touch Screen (7160-1451-00)
  - Smartphone Dock Heads Up Articulating Mount (7110-1237)
- Limited Lifetime Warranty:
  - Smartphone Dock Heads Up Mount Bracket (18540)

### PORT REPLICATOR

#### 13.3" Touchscreen Display (7160-1451-00)

- (1) HDMI
- (1) VGA
- (1) USB type C (2A @ 5V) fast charging
- (1) USB type B (for Touch Control)
- (2) USB 3.0 (fast charging 1.5A)
- (1) Aux. out 3.5 mm
- (1) DC input (Barrel Jack)

#### Rugged USB Hub (7160-1393-00)

- (4) USB 3.0 (2) fast charging 1.5A
- (1) Ethernet RJ45 (Gigabit)
- (1) HDMI
- (1) USB-C (5V@2A) fast charging
- (1) Power port

#### Rugged Lite Backlit Keyboard (7160-1449-00)

- (1) USB Type A

**SAMSUNG DeX HEADS UP VEHICLE KIT WITHOUT KEYBOARD**

ITEM NO.	DESCRIPTION	WEIGHT	HEIGHT	WIDTH	DEPTH
<b>7170-0757-01</b>	DeX Heads Up Vehicle Kit without Keyboard <b>Kit Includes:</b> 13.3" Capacitive Touch Screen (7160-1451-00), Rugged USB Hub (7160-1393-00), Heads Up Mounting Bracket (18540) and Heads Up Articulating Mount (7110-1237)				
<b>7160-1451-00</b>	13.3" Capacitive Touch Screen	6.65 lbs 3.02 kg	9.94" 25.25 cm	13.75" 34.93 cm	1.57" 3.99 cm
<b>7160-1393-00</b>	Rugged USB Hub	0.25 lbs 0.11 kg	2.05" 5.21 cm	4.36" 11.07 cm	5.62" 14.27 cm
<b>18540</b>	Heads Up Mounting Bracket	0.74 lbs 0.34 kg	0.5" 1.27 cm	12" 30.48 cm	5.75" 14.61 cm
<b>7110-1237</b>	Heads Up Articulating Mount	0.2 lbs 0.09 kg	2.75" 6.99 cm	2.12" 5.38 cm	2.12" 5.38 cm



7170-0757-01

**FEATURES**

- Add a compatible Heads Up Smartphone Docking Station (7160-1394-XX) to complete your DeX vehicle solution. Must Order Separately
- Smartphone requires a Rebel Smartphone Case (18551-XX) to be compatible with the smartphone docking station. Must Order Separately.
- Our DeX Heads Up vehicle solution positions the smartphone dock next to the touchscreen where you can use your phone as a secondary screen or a touchpad device
- Screen is 13.3" with a 5-point capacitive touchscreen, high resolution 1920 x 1080, and adjustable brightness (50-1000 nits)
- Mount the 13.3" touchscreen to a Gamber-Johnson close-to-dash mount (7160-1346 or 7160-0822) or tablet display mount (7160-0529 or 7160-0494) for optimal viewing
- The Rugged USB Hub provides port replication to connect all peripherals; conceal under the instrument panel, or console box or mounted to the heads up mounting bracket
- Gamber-Johnson offers several DeX solutions including:
  - The DeX Armrest Vehicle solution that positions the smartphone dock in the vehicle armrest next to the driver where it is out of the way but still accessible
  - The DeX Desktop solution that enable the mobile worker to transition from vehicle to desktop seamlessly
- MIL-STD 810G shock/vibration, SAE J1455, FCC, CE, RCM, RoHS, REACH,
- See individual kit components for warranty details

Note: Visit [gamberjohnson.com](http://gamberjohnson.com) for full list of product specifications

**RUGGED USB HUB AND HEADS UP MOUNT KIT**

ITEM NO.	DESCRIPTION	WEIGHT	HEIGHT	WIDTH/	DEPTH
<b>7170-0758-00</b>	Rugged USB Hub and Heads Up Mount Kit <b>Kit Includes:</b> Rugged USB Hub (7160-1393-00), Heads Up Mounting Bracket (18540) and Heads Up Articulating Mount (7110-1237)				
<b>7160-1393-00</b>	Rugged USB Hub	0.25 lbs 0.11 kg	2.05" 5.21 cm	4.36" 11.07 cm	5.62" 14.27 cm
<b>18540</b>	Heads Up Mounting Bracket	0.74 lbs 0.34 kg	0.5" 1.27 cm	12" 30.48 cm	5.75" 14.61 cm
<b>7110-1237</b>	Heads Up Articulating Mount	0.2 lbs 0.09 kg	2.75" 6.99 cm	2.12" 5.38 cm	2.12" 5.38 cm



7170-0758-00

**FEATURES**

**Rugged USB Hub**

- Utilize this multi-port adapter hub to connect devices for a complete mobile office solution or DeX mobile solution
- Supports 4K HD screen expansion for multimedia capabilities
- Gigabit Ethernet port for hassle-free internet connectivity
- Utilize USB 3.0 ports to connect to a host of external devices, two fast-charging 3.0 ports
- USB-C port (fast-charging) to connect a DeX Smartphone Docking Station or other USB-C supported device
- Rugged case with cable restraints and mounting holes; attach to a VESA 75 mm mount or directly to Heads Up Mounting Bracket (18540)
- 3 Year Limited Warranty

**Heads Up Mounting Bracket**

- Allows users to position their DeX smartphone docking station next to your touchscreen for ideal mobile viewing
- Attaches between the touchscreen and touchscreen mount. Align the slots on the mounting bracket with the VESA 75 mm mounting holes on your touchscreen display to attach the bracket
- Gamber-Johnson offers several DeX solutions including:
  - The DeX Armrest Vehicle solution that positions the smartphone dock in the vehicle armrest next to the driver where it is out of the way but still accessible
  - The DeX Desktop solution that enable the mobile worker to transition from vehicle to desktop seamlessly
- MIL-STD 810G shock/vibration, SAE J1455, FCC, CE, RCM, RoHS, REACH
- Limited Lifetime Warranty

Note: Visit [gamberjohnson.com](http://gamberjohnson.com) for full list of product specifications

**SAMSUNG DeX HEADS UP SMARTPHONE DOCKING STATIONS**



7160-1394-XX

ITEM NO.	DESCRIPTION	WEIGHT	HEIGHT	WIDTH	DEPTH
<b>7160-1394-XX</b>	DeX Heads Up Smartphone Docking Stations				
<b>7160-1394-00</b>	Note9 Docking Station without Phone Case	0.3 lbs 0.14 kg	9" 22.86 cm	3.75" 9.53 cm	1.25" 3.18 cm
<b>7160-1394-02</b>	S9 Docking Station without Phone Case	0.3 lbs 0.14 kg	9" 22.86 cm	3.75" 9.53 cm	1.25" 3.18 cm
<b>7160-1394-03</b>	S10+ Docking Station Without Phone Case	0.3 lbs 0.14 kg	9" 22.86 cm	3.75" 9.53 cm	1.25" 3.18 cm
<b>7160-1394-04</b>	S10 Docking Station without without Phone Case	0.3 lbs 0.14 kg	9" 22.86 cm	3.75" 9.53 cm	1.25" 3.18 cm
<b>7160-1394-05</b>	Note10 Docking Station without Phone Case	0.3 lbs 0.14 kg	9" 22.86 cm	3.75" 9.53 cm	1.25" 3.18 cm
<b>7160-1394-06</b>	Note10+ Docking Station without Phone Case	0.3 lbs 0.14 kg	9" 22.86 cm	3.75" 9.53 cm	1.25" 3.18 cm
<b>7160-1394-07</b>	S10e Docking Station without Phone Case	0.3 lbs 0.14 kg	9" 22.86 cm	3.75" 9.53 cm	1.25" 3.18 cm
<b>7160-1394-10</b>	S20 Ultra Docking Station without Phone Case	0.3 lbs 0.14 kg	9" 22.86 cm	3.75" 9.53 cm	1.25" 3.18 cm
<b>7160-1394-11</b>	Note20 Docking Station without Phone Case	0.3 lbs 0.14 kg	9" 22.86 cm	3.75" 9.53 cm	1.25" 3.18 cm
<b>7160-1394-13</b>	S20 FE 5G Docking Station without Phone Case	0.3 lbs 0.14 kg	9" 22.86 cm	3.75" 9.53 cm	1.25" 3.18 cm

**FEATURES**

- Dock your mobile smartphone to quickly transform your phone to a full desktop experience
- Compatible with a variety of Samsung Galaxy phones (Note 9, Note10, Note10+, S9, S9+, S10, S10+, S10e)
- Includes a USB-C docking connector and a 6" USB-C cable with female connector
- Dock can be changed to be compatible with a different Galaxy phone model
- Quick-release latch for easy one-hand operation
  - To install: Slide Smartphone with special phone case into docking station until top latch snaps over the top of the phone
  - To release: Push top latch up and away from phone and simultaneously slide phone up and tilt out of case
- Smartphone requires a Rebel phone case to be compatible with the smartphone docking station; (18551-00 Note9), (18551-01 S9+), (18551-02 S9), (18551-03 S10+), (18551-04 S10), (18551-05 Note10), (18551-06 Note10+) and (18551-07 S10e). Must Order Separately.
- MIL-STD 810G shock/vibration, SAE J1455, FCC, CE, RCM, RoHS, REACH,
- 3-Year Limited Warranty

Note: Visit [gamberjohnson.com](http://gamberjohnson.com) for full list of product specifications

**SAMSUNG DeX DESKTOP SMARTPHONE DOCKING STATIONS**

ITEM NO.	DESCRIPTION	WEIGHT	HEIGHT	WIDTH	DEPTH
<b>7160-1396-XX</b>	DeX Desktop Smartphone Docking Stations without Phone Case				
<b>7160-1396-00</b>	Note9 Docking Stations without Phone Case	0.3 lbs 0.14 kg	9" 22.86 cm	3.75" 9.53 cm	1.25" 3.18 cm
<b>7160-1396-02</b>	S9 Docking Stations without Phone Case	0.3 lbs 0.14 kg	9" 22.86 cm	3.75" 9.53 cm	1.25" 3.18 cm
<b>7160-1396-03</b>	S10+ Docking Stations without Phone Case	0.3 lbs 0.14 kg	9" 22.86 cm	3.75" 9.53 cm	1.25" 3.18 cm
<b>7160-1396-04</b>	S10 Docking Stations without Phone Case	0.3 lbs 0.14 kg	9" 22.86 cm	3.75" 9.53 cm	1.25" 3.18 cm
<b>7160-1396-05</b>	Note10 Docking Stations without Phone Case	0.3 lbs 0.14 kg	9" 22.86 cm	3.75" 9.53 cm	1.25" 3.18 cm
<b>7160-1396-06</b>	Note10+ Docking Stations without Phone Case	0.3 lbs 0.14 kg	9" 22.86 cm	3.75" 9.53 cm	1.25" 3.18 cm
<b>7160-1396-07</b>	S10e Docking Stations without Phone Case	0.3 lbs 0.14 kg	9" 22.86 cm	3.75" 9.53 cm	1.25" 3.18 cm
<b>7160-1396-10</b>	S20 Ultra Docking Stations without Phone Case	0.3 lbs 0.14 kg	9" 22.86 cm	3.75" 9.53 cm	1.25" 3.18 cm
<b>7160-1396-12</b>	Note20 Docking Stations without Phone Case	0.3 lbs 0.14 kg	9" 22.86 cm	3.75" 9.53 cm	1.25" 3.18 cm
<b>7160-1396-13</b>	S20 FE 5G Docking Stations without Phone Case	0.3 lbs 0.14 kg	9" 22.86 cm	3.75" 9.53 cm	1.25" 3.18 cm



7160-1396-XX

**FEATURES**

- Dock your mobile smartphone to quickly transform your phone content to a full desktop experience
- Smartphone requires a Rebel Smartphone Case (18551-XX) to be compatible with the smartphone docking station. Must Order Separately.
- Includes a USB-C docking connector and a 6" USB-C cable with female connector
- Dock can be changed to be compatible with a different Galaxy phone model
- Quick-release latch, easy one-hand operation
  - To install: Slide Smartphone with special phone case into docking station until top latch snaps over the top of the phone
  - To release: Push top latch up and away from phone and simultaneously slide phone up and tilt out of case
- Dock can be changed to be compatible with a different Galaxy phone model
- Easily combine Smartphone dock with Zirkona mounting products to mount on a desktop surface
- 3-Year Limited Warranty

Note: Visit [gamberjohnson.com](http://gamberjohnson.com) for full list of product specifications

**SAMSUNG GALAXY S20 FE 5G SYMMETRY SERIES CASE**

ITEM NO.	DESCRIPTION	WEIGHT	HEIGHT	WIDTH	DEPTH
<b>20210-13</b>	Samsung Galaxy S20 FE 5G Symmetry Series Case				

**FEATURES**

- Lasting antimicrobial technology helps protect case exterior against many common bacteria
- Case is infused with silver-based additive that continually blocks microbial growth
- Thin profile slips easily into tight pockets
- Durable protection shields against drops, bumps and fumbles
- Raised edges protect camera and touchscreen
- One-piece design pops on and off in a flash
- Works with 5G, 4G and all other standard networks
- DROP+ | 3X as many drops as military standard (MIL-STD-810G 516.6)
- Compatible with 7160-1394-13, 7160-1396-13
- Otterbox Warranty - Limited lifetime warranty supported by hassle-free customer service



**REBEL SMARTPHONE CASE**



18551-XX

ITEM NO.	DESCRIPTION	WEIGHT	HEIGHT	WIDTH	DEPTH
<b>18551-XX</b>	DeX Rebel Smartphone Case by Encased is required for most DeX Docking Stations and set ups				
<b>18551-00</b>	Note9 DeX Smartphone Case	0.35 lbs	9" 22.86 cm	5" 12.7 cm	1.4" 3.56 cm
<b>18551-01</b>	S9+ DeX Smartphone Case	0.125 lbs	9" 22.86 cm	5" 12.7 cm	0.5" 1.27 cm
<b>18551-02</b>	S9 DeX Smartphone Case	0.08 lbs	9" 22.86 cm	5" 12.7 cm	0.5" 1.27 cm
<b>18551-03</b>	S10+ DeX Smartphone Case	0.18 lbs	9" 22.86 cm	5" 12.7 cm	1.4" 3.56 cm
<b>18551-04</b>	S10 DeX Smartphone Case	0.18 lbs	9" 22.86 cm	5" 12.7 cm	1.4" 3.56 cm
<b>18551-05</b>	Note10 DeX Smartphone Case	0.125 lbs	9" 22.86 cm	5" 12.7 cm	0.5" 1.27 cm
<b>18551-06</b>	Note10+ DeX Smartphone Case	0.125 lbs	9" 22.86 cm	5" 12.7 cm	0.5" 1.27 cm
<b>18551-07</b>	S10e DeX Smartphone Case	0.18 lbs	9" 22.86 cm	5" 12.7 cm	1.4" 3.56 cm
<b>18551-10</b>	S20 Ultra DeX Smartphone Case	0.18 lbs	9" 22.86 cm	5" 12.7 cm	1.4" 3.56 cm
<b>18551-11</b>	Note20 DeX Smartphone Case	0.18 lbs	9" 22.86 cm	5" 12.7 cm	1.4" 3.56 cm

**FEATURES**

- Required phone case must be used with the Samsung Galaxy Smartphone to be compatible with Gamber-Johnson's DeX Smartphone Docking Stations and solutions
- Designed to fit DeX Compatible Samsung Galaxy phones (Note 9, S9, S9+, Note10, Note10+, S10, S10+, S10e)
- Fully bonded 2-piece structure providing robust dual layer protection with a 10' fall impact rating
- Solid-core frame and a edge-to-edge rubber layer for added impact absorption
- Reinforced corners and a raised front lip offer additional protection
- Responsive easy-press buttons retain the original tactile click and button feel.
- Encased Warranty - Unconditional Lifetime Happiness Guarantee

**13.3" CAPACITIVE TOUCH SCREEN**



ITEM NO.	DESCRIPTION	WEIGHT	HEIGHT	WIDTH	DEPTH
<b>7160-1451-00</b>	13.3" Capacitive Touch Screen	6.7 lbs 3.04 kg	9.94" 25.25 cm	13.75" 34.93 cm	1.57" 3.99 cm

**FEATURES**

- Ideal device to extend the use of your DeX optimized smartphone
- Combine this touch screen with a Gamber-Johnson DeX compatible Smartphone Docking Station , Rugged USB Hub (7160-1393-00), and Rugged Lite Keyboard (7160-1449-00) for a complete DeX mobile office solution.
- 13.3" touch screen display, high resolution 1920 x 1080, brightness is 50-1000 nits and is easily adjustable
- Ambient light sensor automatically adjusts screen brightness
- 5-Point multi-touch technology for better accuracy and fluidity (speed) providing greater support for smartphone gesture support
- Blackout button allows screen to be blacked out for privacy or to minimize driver distraction without having to reboot the touch screen
- Brightness and volume buttons enable adjustments to be done right on the touch screen
- Programmable emergency button allows users to send instant notification in case of an emergency
- Sleep mode to reduce power consumption when not in use
- Bottom-facing ports with integrated cable restraint system
- Integrated stereo speakers allow for sound directly from the computing device
- Warm up indicator light easily indicates that the touch screen is powered up
- Anti-glare coating to reduce glare for better visibility
- Includes the following cables: HDMI, USB type B, and power cable with bare wire end
- VESA 75 mm and 100 mm mounting holes
- MIL-STD 810G shock/vibration, SAE J1455, FCC, CE, RCM, RoHS, REACH
- 1 Year Limited Warranty

Note: Visit [gamberjohnson.com](http://gamberjohnson.com) for full list of product specifications

**PORT REPLICATOR**

- (1) HDMI
- (1) VGA
- (1) USB type C (2A @ 5V) fast charging
- (1) USB type B (for Touch Control)
- (2) USB 3.0 (fast charging 1.5A)
- (1) AUX. out 3.5 mm
- (1) DC input (Barrel Jack)

### RUGGED USB HUB

ITEM NO.	DESCRIPTION	WEIGHT	HEIGHT	WIDTH	DEPTH
7160-1393-00	Rugged USB Hub	0.25 lbs 0.11 kg	2.05" 5.21 cm	4.36" 11.07 cm	5.62" 14.27 cm



7160-1393-00

#### FEATURES

- Utilize this multi-port adapter hub to connect devices for a complete mobile office solution or DeX mobile solution
- Supports 4K HD screen expansion for multimedia capabilities
- Gigabit Ethernet port for hassle-free internet connectivity
- Utilize USB 3.0 ports to connect to a host of external devices, two fast-charging 3.0 ports
- USB-C port (fast-charging) to connect a DeX smartphone docking station or other USB-C supported devices
- Rugged case with cable restraints keeps cable connections secure
- Integrated VESA 75 mm mounting pattern, attach to a VESA 75 mm mount or directly to (18540) Heads Up Mounting Bracket
- MIL-STD 810G shock/vibration, SAE J1455, RoHS, FCC, CE, REACH
- 3-Year Limited Warranty

#### PORT REPLICATOR

- (4) USB 3.0 (2) Fast charging 1.5A
- (1) Ethernet RJ45 (Gigabit)
- (1) HDMI
- (1) USB-C (5V@2A) Fast charging
- (1) Power port

### HEADS UP ARTICULATING MOUNT

ITEM NO.	DESCRIPTION	WEIGHT	HEIGHT	WIDTH	DEPTH
7110-1237	Heads Up Articulating Mount	0.2 lbs 0.09 kg	2.75" 6.99 cm	2.12" 5.38 cm	2.12" 5.38 cm

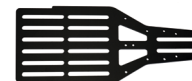


#### FEATURES

- Use this mounting device to position your DeX smartphone docking station (7160-1394-XX) for ideal mobile viewing
- Combine the articulating mount with the heads up mounting bracket (18540) to position the articulating mount next to the touchscreen in your vehicle
- Anodized aluminum design
- Encapsulated ball design for unique and flexible movement
- 1 Year Limited Warranty

### HEADS UP MOUNTING BRACKET

ITEM NO.	DESCRIPTION	WEIGHT	HEIGHT	WIDTH	DEPTH
18540	Heads Up Mounting Bracket	0.74 lbs 0.34 kg	0.5" 1.27 cm	12" 30.48 cm	5.75" 14.61 cm



#### FEATURES

- Allows users to position their DeX smartphone docking station next to your touchscreen for ideal mobile viewing
- Attaches between the touchscreen and touchscreen mount. Align the slots on the mounting bracket with the VESA 75 mm mounting holes on your touchscreen display to attach the bracket
- Mount the Rugged USB hub directly to this mounting bracket for easy access to all wiring and network connections
- Steel with black powder coat finish
- Limited Lifetime Warranty

**GAMBER-JOHNSON'S RUGGED LITE KEYBOARD**



ITEM NO.	DESCRIPTION	WEIGHT	HEIGHT	WIDTH	DEPTH
7160-1449-00	Gamber-Johnson's Rugged Lite Keyboard	1 lbs 0.45 kg	0.68 in 1.72 cm	10.31 in 26.18 cm	7.12 in 18.08 cm

**FEATURES**

- Integrated center Touchpad with right and left mouse buttons
- 76-key keyboard with 12 function keys for custom operation
- Low-profile ergonomic design for ease of use in a mobile environment
- Equipped with an emergency key that is configurable and be used to send for emergency help or assistance to dispatch
- Silicone rubber keys with white lettering and a rugged ABS polycarbonate case
- USB Type A male connector (coiled cable) input cable
- Supports Windows (XP or Above), Android, Linux, and Mac OS / iOS platforms
- USB- A port to attach a mouse, another peripheral, or flash drive (USB 2.0 500mA)
- Rubber feet to prevent slippage
- Power: 5Vdc @ <500mA from data cord
- Keyboard is compatible with Gamber-Johnson quick release keyboard cradle (7160-1470-00). Keyboard can be permanently attached to keyboard cradle using two #6 machine screws.
- Available in US English (7160-1449-00), UK (7160-1449-01), German (7160-1449-02), French (7160-1449-03), and Spanish (7160-1449-04). Contact Gamber-Johnson for other language options.
- Temperature range is -4° F (-20°C) to 140° F (60°C) when operating and -40° F (-40°C) to 185° F (85°C) for storage
- Designed to IP54 ingress specifications
- Tested to two million actuation per key
- MIL-STD 810G shock/vibration, SAE J1455, RoHS, FCC, CE, REACH
- 1 Year Limited Warranty

**RUGGED LITE KEYBOARD AND QUICK RELEASE KEYBOARD CRADLE KIT**



7170-0817-00

ITEM NO.	DESCRIPTION	WEIGHT	HEIGHT	WIDTH	DEPTH
7170-0817-00	Rugged Lite Keyboard and Quick Release Keyboard Cradle Kit <b>Kit Includes:</b> Rugged Lite Keyboard (7160-1449-00) and Quick Release Keyboard Cradle (7160-1470-00)				
7160-1470-00	Quick Release Keyboard Cradle	0.25 lbs 0.11 kg	1.01" 2.53 cm	5.5" 13.97 cm	7.35" 18.66 cm
7160-1449-00	Gamber-Johnson's Rugged Lite Keyboard	1 lbs 0.45 kg	0.56" 1.42 cm	10.31" 26.18 cm	7.12" 18.08 cm

**FEATURES**

**Rugged Lite Keyboard**

- Integrated center Touchpad with right and left mouse button
- 76-key keyboard with 12 function keys for custom operation
- Low-profile ergonomic design for ease of use in a mobile environment
- Equipped with an emergency key that is configurable and be used to send for emergency help or assistance to dispatch
- Silicone rubber keys with white lettering and a rugged ABS poly-carbonate case
- USB Type A male connector (coiled cable) input cable
- Supports Windows (XP or Above), Android, Linux, and Mac OS / iOS platforms
- USB- A port to attach a mouse, another peripheral, or flash drive (USB 2.0 500mA)
- Rubber feet to prevent slippage
- Keyboard is compatible with Gamber-Johnson quick release keyboard cradle (7160-1470-00)
- Available in US English (7160-1449-00), UK (7160-1449-01), German (7160-1449-02), French (7160-1449-03), and Spanish (7160-1449-04). Contact Gamber-Johnson for other language options
- 1 Year Limited Warranty

**Quick Release Keyboard Cradle**

- Compatible with Gamber-Johnson USB Mobile Keyboard (7160-1449-00)
- Easily insert or release the USB keyboard:
  - Insert bottom of keyboard into tray, match indents in keyboard with hooks on tray, then push top of keyboard into tray and engage latch
  - To remove, push latch to disengage and pull keyboard out of computer out of tray
- Black powder coat finish
- Keyboard can be permanently attached to keyboard cradle using two #6 machine screws
- VESA 75 mm mounting pattern, attaches to most Gamber-Johnson motion attachments
- Limited Lifetime Warranty



**RUGGED LITE BACKLIT KEYBOARD AND QUICK RELEASE KEYBOARD CRADLE**

ITEM NO.	DESCRIPTION	WEIGHT	HEIGHT	WIDTH	DEPTH
<b>7170-0817-01</b>	Rugged Lite Backlit Keyboard and Quick Release Keyboard Cradle <b>Kit Includes:</b> Rugged Lite Backlit Keyboard (7160-1683-00) and Quick Release Keyboard Cradles (7160-1470-00)	1 lbs 0.45 kg	10.31" 26.19 cm	0.56" 1.42 cm	7.12 in 18.08 cm
<b>7160-1470-00</b>	Quick Release Keyboard Cradle	0.55 lbs 0.25 kg	1.01" 2.53 cm	5.5" 13.97 cm	7.35" 18.66 cm
<b>7160-1683-00</b>	Rugged Lite Backlit Keyboard	1 lbs 0.45 kg	10.31" 26.19 cm	0.56" 1.42 cm	7.12" 18.08 cm



7160-1470-00



7160-1683-00

**FEATURES**

- Integrated center Touchpad with right and left mouse button
- 76-key keyboard with 12 function keys for custom operation
- Integrated red backlighting with four levels of intensity and ON/OFF control (F12 Key)
- Low-profile ergonomic design for ease of use in a mobile environment
- Emergency Key - a configurable key that can be used to send for emergency help or assistance
- Silicone rubber keys with white lettering and a rugged ABS polycarbonate case
- Input cable: USB Type A male connector (1.5 m/59.0 inch cable)
- Supports Windows (XP or Above), Android, Linux, and Mac OS / iOS platforms
- USB- A port to attach a mouse, another peripheral, or flash drive (USB 2.0 500mA)
- Rubber feet to prevent slippage
- Keyboard is compatible with Gamber-Johnson custom keyboard tray (7160-1470-00)
- Available in US English (7160-1683-00), UK (7160-1683-01), German (7160-1683-02), French (7160-1683-03), and Spanish (7160-1683-04). Contact Gamber-Johnson for other language options. Minimum Order Quantity 250 units on all languages other than US English.
- Power: 5Vdc @ <500mA from data cord
- Designed and tested to MIL-STD 810G shock and vibration specifications
- Temperature range: OPERATING: -20°C to 60°C STORAGE: -40°C to 85°C
- Designed to IP54 ingress specifications
- Two million actuations per key
- Limited Lifetime Warranty

**Quick Release Keyboard Cradle**

- Compatible with Gamber-Johnson USB Mobile Keyboard (7160-1449-00)
- Easily insert or release the USB keyboard:
  - Insert bottom of keyboard into tray, match indents in keyboard with hooks on tray, then push top of keyboard into tray and engage latch
  - To remove, push latch to disengage and pull keyboard out of computer out of tray
- VESA 75 mm mounting pattern, attaches to most Gamber-Johnson motion attachments
- Black powder coat finish
- Keyboard can be permanently attached to keyboard cradle using two #6 machine screws
- FCC, CE, UKCA, C-Tick, RoHS, REACH
- Limited Lifetime Warranty

**QUICK RELEASE KEYBOARD CRADLE**

ITEM NO.	DESCRIPTION	WEIGHT	HEIGHT	WIDTH	DEPTH
<b>7160-1470-00</b>	Quick Release Keyboard Cradle	0.55 lbs 0.25 kg	1.01" 2.53 cm	5.5" 13.97 cm	7.35" 18.66 cm



**FEATURES**

- Compatible with Gamber-Johnson Rugged Lite Keyboard (7160-1449-00)
- Easily insert or release the Rugged Lite Keyboard:
  - Insert bottom of keyboard into cradle, match indents in keyboard with hooks on cradle, then push top of keyboard into cradle and engage latch
  - To remove, push latch to disengage and pull keyboard out of cradle
- Black powder coat finish
- Keyboard can be permanently attached to keyboard cradle using two #6 machine screws
- VESA 75 mm mounting pattern (#8 mounting studs), attach to most Gamber-Johnson motion attachments
- Limited Lifetime Warranty

## NOTEPAD™ TOUCH UNIVERSAL TABLET CRADLE



7160-1299-00

ITEM NO.	DESCRIPTION	ADJUSTABLE HEIGHT	ADJUSTABLE WIDTH	ADJUSTABLE DEPTH	WEIGHT	HEIGHT	WIDTH	DEPTH
7160-1299-00	Universal Tablet Cradle	4.5"-7.3" 11.4 - 18.5 cm	7.8"-10.9" 19.8-27.6 cm	0.28"-1.12" 0.71-2.8 cm	2.85 lbs 1.29 kg	6.12" 15.54 cm	8.99" 22.8 cm	3.15" 8.00 cm
7160-1299-10	Universal Tablet Cradle	7.0"-9.7" 17.7-24.6 cm	10.0"-13.0" 25.4 -33.0 cm	0.28"-1.12" 0.71-2.8 cm	3.5 lbs 1.58 kg	8.56" 21.74 cm	10.82" 27.48 cm	3.15" 8.00 cm

### FEATURES

- Height, width, and depth adjustable to accommodate almost any size tablet computer
- Optional keyed lock for theft deterrence
- Composite/aluminum design for reduced weight and extended durability
- Designed with rounded edges to enhance personal safety
- Easy one-handed operation: Insert bottom of tablet into the cradle, push the top of the tablet against the latch button until latch engages. To remove tablet, push up on latch button with thumb and pull tablet from the cradle
- VESA 75 mm and AMPS mounting patterns
- 30 mph crash tested per SAE J1455 standard
- Lifetime Limited Warranty

## UNIVERSAL LAPTOP MOUNT - NOTEPAD™ V



7160-0250



7160-0250-03



7160-0402



7160-0402-03

ITEM NO.	DESCRIPTION	WIDTH ADJUSTABLE	DEPTH ADJUSTABLE	THICKNESS ADJUSTABLE	WEIGHT	OVERALL HEIGHT	OVERALL WIDTH	OVERALL DEPTH
7160-0250	For use with most Computers (Dell, HP, Sony, Toshiba, Gateway, Samsung, Compaq, Asus, etc.)	<b>Yes</b> - Adjusts to computer widths from 10.6" - 16.5" 26.9 - 41.9 cm	<b>Yes</b> - Adjusts to computer depths from 9.0" - 12.4" 22.9 - 31.5 cm	<b>Yes</b> - Adjusts to computer thickness (Measured with Screen Open) From 0" - 1.5" 0 - 3.8 cm	6.5 lbs 2.9 kg	1.6" 4.1 cm	11.8" to 18.3" 30.0 to 46.5 cm	9.5" 24.1 cm
7160-0250-01	For use with Rugged Computer Laptops that exceed 1.5" in thickness (Panasonic Toughbook 30 and 31, Dell XFR, etc.)	<b>Yes</b> - Adjusts to computer widths from 10.62" - 16.5" 26.9 - 41.9 cm	<b>Yes</b> - Adjusts to computer depths from 9.0" - 12.4" 22.9 - 31.5 cm	<b>Yes</b> - Adjusts to computer thickness (Measured with Screen Open) From 0.12" - 2.0" 0.3 - 5.1 cm	6.5 lbs 2.9 kg	1.6" 4.1 cm	11.8" to 18.3" 30.0 to 46.5 cm	9.5" 24.1 cm
7160-0250-02	For use with computers where the keyboard extends to the left and right edge of the computer	<b>Yes</b> - Adjusts to computer widths from 10.62" - 16.5" 26.9 - 41.9 cm	<b>Yes</b> - Adjusts to computer depths from 9.0" - 12.4" 22.9 - 31.5 cm	<b>Yes</b> - Adjusts to computer thickness (Measured with Screen Open) From 0" - 1.5" 0 - 3.8 cm	6.5 lbs 2.9 kg	1.6" 4.1 cm	11.8" to 18.3" 30.0 to 46.5 cm	9.5" 24.1 cm
7160-0250-03	For use with most computers (Dell, HP, Sony, Toshiba, Gateway, Samsung, Compaq, Asus, etc), uses Cam Back Clips	<b>Yes</b> - Adjusts to computer widths from 10.62" - 16.5" 26.9 - 41.9 cm	<b>Yes</b> - Adjusts to computer depths from 6.6" - 8.0" 16.8 - 20.3 cm	<b>Yes</b> - Adjusts to computer thickness (Measured with Screen Open) From 0" - 1.5" 0 - 3.8 cm	6.5 lbs 2.9 kg	1.6" 4.1 cm	11.8" to 18.3" 30.0 to 46.5 cm	9.5" 24.1 cm
7160-0402	For use with small computers (Netbooks)	<b>Yes</b> - Adjusts to computer widths from 8.2" - 11.8" 20.82 - 29.97 cm	<b>Yes</b> - Adjusts to computer depths from 7.6" - 9.3" 19.3 - 23.6 cm	<b>Yes</b> - Adjusts to computer thickness (Measured with screen open) From 0" - 1.5" 0 - 3.8 cm	5.5 lbs 2.5 kg	1.6" 4.1 cm	9.6" to 13.2" 24.4 to 33.5 cm	9.5" 24.1 cm
7160-0402-03	For use with small computers (Netbooks and Tablets), uses Cam Back Clips	<b>Yes</b> - Adjusts to computer widths from 8.2" - 11.8" 20.82 - 29.97 cm	<b>Yes</b> - Adjusts to computer depths from 6.6" - 8.0" 16.8 - 20.3 cm	<b>Yes</b> - Adjusts to computer thickness (Measured with Screen Open) From 0" - 1.5" 0 - 3.8 cm	5.5 lbs 2.5 kg	1.6" 4.1 cm	9.6" to 13.2" 24.4 to 33.5 cm	9.5" 24.1 cm

### FEATURES

- Special "flanged" side clip design provides superior strength and can be easily adjusted they:
  - Are "one-size-fits-all", work with most computers
  - Feature T-molded polycarbonate covers that hold clips in place during installation for easy height adjustment
- Reversible front and back supports adjust to accommodate varying depths of computers
- Rear support brace is gusseted for added restraint
- 90° wing turn closure latch allows for fast initial size adjustment, quick computer insertions and removal
- Featuring heavy duty key lock (keyed alike)
- Molded polycarbonate end caps ensure that the computer is level when in the cradle
- Can be used with optional accessories to further capabilities in the field
- Adjustable mounting holes allows the computer mount to be offset
- Gamber-Johnson 2" (5.08 cm) x 4.09" (10.38 cm) mounting hole pattern
- MIL-STD 810G shock/vibration, RoHS, and SAE J1455 crash certifications
- Limited Lifetime Warranty

\*Note - The NotePad™ V side clips and key lock are designed to securely hold the laptop in the mount and to deter theft, not prevent it. Gamber-Johnson recommends taking your laptop out of the vehicle when not in use.

**UNIVERSAL LAPTOP MOUNT - NOTEPAD™ V CLIP PACKAGES**

ITEM NO.	DESCRIPTION	PLACEMENT	WEIGHT
7120-0519	Tall Clip Package for Use with Rugged Computer Laptops that Exceed 1.5" in Thickness (Panasonic Toughbook 30 and 31, Dell XFR, etc.) <i>Note:</i> Buy this only if you already have a NotePad™ V universal computer mount (7160-0250)	Replaces the Clips on the NotePad V Universal Computer Mount (7160-0250)	0.3 lbs 0.1 kg
7120-0587	Cam Clip Package Used with a Smaller Notebook, Convertible Tablet or Tablet Format <i>Note:</i> Buy this only if you already have a NotePad™ V universal computer mount (7160-0250) or the NotePad™ V-LT universal computer mount (7160-0402)	Replaces the Clips on the NotePad V Universal Computer Mount (7160-0250) or the NotePad V-LT Universal Computer Mount (7160-0402)	0.3 lbs 0.1 kg



7120-0587

**UNIVERSAL LAPTOP MOUNT - NOTEPAD™ V ACCESSORIES**

ITEM NO.	DESCRIPTION	PLACEMENT	WEIGHT	HEIGHT	WIDTH	DEPTH
7160-0251	Screen Support for NotePad V with the Standard Clip Package	Attaches to the Back Right Corner Using Pre-Drilled Slots on the NotePad V Universal Computer Mount (7160-0250, 7160-0250-02 or 7160-0402)	0.5 lbs 0.2 kg	8.75" 22.2 cm	2.5" 6.4 cm	1.5" 3.8 cm
7160-0251-01	Screen Support for NotePad V with the Tall Clip Package	Attaches to the Back Right Corner Using Pre-Drilled Slots on the NotePad V Universal Computer Mount (7160-0250-01)	0.5 lbs 0.2 kg	8.75" 22.2 cm	2.5" 6.4 cm	1.5" 3.8 cm
7160-0252	LED Light Assembly	Attaches to any Corner Using Pre-Drilled Slots on any NotePad V Universal Computer Mount	0.5 lbs 0.2 kg	17.0" 43.2 cm	2.5" 6.4 cm	1.6" 4.1 cm
7160-0253	Microphone Clip	Attaches to any Corner Using Pre-Drilled Slots on any NotePad V Universal Computer Mount	0.2 lbs 0.1 kg	2.1" 5.3 cm	1.5" 3.8 cm	1.0" 2.5 cm
7160-0351	Shock/Vibration Isolator Plate <i>Note:</i> Computer and cradle combined should not exceed 30 lbs	Positioned Between any Motion Attachment and any NotePad V Universal Computer Mount	2.4 lbs 1.1 kg	0.9" 2.3 cm	7.0" 17.8 cm	6.5" 16.5 cm
7160-0539	LIND Power Supply Mount	Attaches a LIND Power Supply Between a Docking Station/Cradle and the Motion Attachment	1.5 lbs 0.7 kg	5.0" 12.7 cm	10.0" 25.4 cm	1.3" 3.3 cm



7160-0253

**UNIVERSAL TABLET COMPUTER - TABCRUZER® MINI**

ITEM NO.	DESCRIPTION	WIDTH ADJUSTABLE	DEPTH ADJUSTABLE	THICKNESS ADJUSTABLE	WEIGHT	OVERALL HEIGHT	OVERALL WIDTH	OVERALL DEPTH
7160-0774	For use with most consumer tablet computers (Apple iPad, Samsung Galaxy, Microsoft Surface Pro, etc.)	<b>Yes</b> - Adjusts to tablet widths from 6.9" to 11.2" 17.5 to 28.4 cm	<b>Yes</b> - Adjusts to tablet depths from 4.3" to 8.2" 10.9 to 20.8 cm	<b>Yes</b> - Adjusts to tablet thickness from 0.2" to 0.7" 0.5 to 1.8 cm	1.7 lbs 0.8 kg	2.25" 5.7 cm	9.6" to 12.1" 24.4 to 30.7 cm	8.4" 21.3 cm



**FEATURES**

- TabCruzer Mini - Universal Tablet Cradle is designed to hold consumer tablet computers
- Slim form design provides low mounting capability
- Side clips are easily adjusted to the proper tablet height and work with most tablets
- Reversible front and back supports adjust to accommodate varying depths of computers
- Rear support brace is gusseted for added restraint
- 90°wing turn closure latch
- Allows for fast initial size adjustment
- Allows for quick computer insertion and removal
- Built-in heavy duty key lock (keyed alike)
- Engineered polycarbonate and steel design for long-term durability
- VESA 75 mm mounting pattern
- MIL-STD 810G shock/vibration, RoHS, FCC, and SAE J1455 crash certifications
- Limited Lifetime Warranty

**LINDY USB PORT BLOCKER**

ITEM NO.	DESCRIPTION
7300-0107	Pack of 4 USB Blockers and One Combination Key (Blue)
7300-0108	Pack of 10 USB Blockers (Blue)

**FEATURES**

- Blocks USB ports so that users cannot connect flash drives, MP3 players, and other USB mass storage devices to their computers
- Quick and easy to use



7300-0107

## UNIVERSAL PHONE CHARGING CRADLES



7160-1659-00

ITEM NO.	DESCRIPTION	WEIGHT	HEIGHT	WIDTH	DEPTH
7160-1659-00	Universal Phone Charging Cradle	0.3 lbs 0.14 kg	5.5" 13.97 cm	2.6" 6.6 cm	2.4" 6.1 cm
7160-1659-10	Universal Phone Charging and Data Cradle	0.3 lbs 0.14 kg	5.5" 13.97 cm	2.6" 6.6 cm	2.4" 6.1 cm
7170-0951	<b>Kit Includes:</b> Universal Phone Charging and Data Cradle with Silicone Strap (7160-1659-10), Zirkona Small Mega-Short Joiner (7110-1237), Zirkona Threaded Adapter (17394), Zirkona Heads Up Mounting Bracket (18540)				
7170-0950	<b>Kit Includes:</b> Universal Phone Charging Cradle with Silicone Strap (7160-1659-00), Zirkona Medium 2-Down Joiner with Brake (7110-1259), Zirkona Screw Clamp (7110-1378)				
7170-0949	<b>Kit Includes:</b> Universal Phone Charging Cradle with Silicone Strap (7160-1659-00), Zirkona Small Mega-Short Joiner (7110-1237), Zirkona Magnetic Base (17414)				
7170-0948	<b>Kit Includes:</b> Universal Phone Charging Cradle with Silicone Strap (7160-1659-00), Heads Up Articulating Mount (7110-1237), Zirkona Round Base (17413)				
7170-0947	<b>Kit Includes:</b> Universal Phone Charging Cradle with Silicone Strap (7160-1659-00), Zirkona Medium 2-Down Joiner with Brake (7110-1259), Zirkona Small Suction Cup (19753)				
7170-0946	<b>Kit Includes:</b> Universal Phone Charging Cradle with Silicone Strap (7160-1659-00), Zirkona Medium 2-Down Joiner with Brake (7110-1259), Zirkona 1" Round Clamp (7110-1365)				
7170-0945	<b>Kit Includes:</b> Universal Phone Charging Cradle with Silicone Strap (7160-1659-00), Zirkona Medium 2-Down Joiner with Brake (7110-1259), Zirkona 7/8" Clamp (7110-1364)				

### COMMON FEATURES

- Swap out USB-C cable for a different cable for universal compatibility with any phone type
- Compatible with handheld devices and cases that do not exceed 7 Height x 3.5 Width x 0.9 Depth inches in dimensions.
- Device must have charge and data transfer via USB-C connection.
- Compatible with phones using USB-C charging ports
- USB-C charging and data transfer cable, male to male connector (1.2 meter length)
- Use your phone as a second screen or a touchpad device when you connect to a secondary touchscreen
- Combine your phone charging and data cradle with a touchscreen, keyboard, and special mounting equipment to build a complete mobile office solution
- Adjustable charging connector to fit a wide variety of phones
- Phone cradle holds a wide variety of phones and device with up to 3.5" of expanding clamps
- Silicone strap adds additional security for safe mounting in any environment
- 20mm threaded adapter to attach a variety of Zirkona mounting solutions for any application
- Button push release for easy one-handed operation
- Folding legs for added support when needed
- Installation guide and mounting hardware included
- SAE J1455 30mph Crash Tested, RoHS, REACH, FCC, CE, and UKCA Compliance
- 1-Year Limited Warranty

## WIRELESS CHARGING PHONE CRADLES



7160-1733-00

ITEM NO.	DESCRIPTION	WEIGHT	HEIGHT	WIDTH	DEPTH
7160-1733-00	Wireless Charging Phone Cradle	0.3 lbs 0.14 kg	5.5" 13.97 cm	2.6" 6.6 cm	2.4" 6.1 cm
7170-0952	<b>Kit Includes:</b> Wireless Charging Phone Cradle with Silicone Strap (7160-1733-00), Zirkona Medium 2-Down Joiner with Brake (7110-1259), Zirkona 7/8" Clamp (7110-1364), Micro-USB Cable and Car Adapter				
7170-0953	<b>Kit Includes:</b> Wireless Charging Phone Cradle with Silicone Strap (7160-1733-00), Zirkona Medium 2-Down Joiner with Brake (7110-1259), Zirkona 1" Round Clamp (7110-1365), Micro-USB Cable and Car Adapter				
7170-0954	<b>Kit Includes:</b> Wireless Charging Phone Cradle with Silicone Strap (7160-1733-00), Zirkona Medium 2-Down Joiner with Brake (7110-1259), Zirkona Small Suction Cup (19753), Micro-USB Cable and Car Adapter				
7170-0955	<b>Kit Includes:</b> Wireless Charging Phone Cradle with Silicone Strap (7160-1733-00), Zirkona Small Mega-Short Joiner (7110-1237), Zirkona Round Base (17413), Micro-USB Cable and Car Adapter				
7170-0956	<b>Kit Includes:</b> Wireless Charging Phone Cradle with Silicone Strap (7160-1733-00), Zirkona Small Mega-Short Joiner (7110-1237), Zirkona Magnetic Base (17414), Micro-USB Cable and Car Adapter				
7170-0957	<b>Kit Includes:</b> Wireless Charging Phone Cradle with Silicone Strap (7160-1733-00), Zirkona Medium 2-Down Joiner with Brake (7110-1259), Zirkona Screw Clamp (7110-1378), Micro-USB Cable and Car Adapter				

### COMMON FEATURES

- Compatible with handheld devices and cases that do not exceed 7 Height x 3.5 Width x 0.53 Depth inches in dimensions.
- Device must have charge via wireless connection. Delivers up to 10W of power for fast speed wireless charging.
- Designed for use with most Qi-enabled wireless charging smartphones
- Rotating vent clip for additional mounting options ensuring stable device placement
- Expanding arms hold a wide variety of phones up to 3.5" width
- Silicone strap adds additional security for safe mounting in any environment
- 20mm threaded adapter to attach a variety of Zirkona mounting solutions for any application
- Installation guide and mounting hardware included
- 1-Year Limited Warranty: Universal USB-C Phone Charging Cradle
- Limited Lifetime Warranty: Zirkona parts

**ZEBRA ET50/55 8" AND 10" CRADLE**

ITEM NO.	DESCRIPTION	POWER SUPPLY	WEIGHT	HEIGHT	WIDTH	DEPTH
7160-0819-00	Zebra ET50/55 8" Cradle (No Electronics)	No - Use LIND Power Adapter (7300-0415)	2.6 lbs 1.2 kg	10" 25.5 cm	9" 22.9 cm	3.4" 8.6 cm
7160-0819-04	Zebra ET50/55 8" Powered Cradle (POGO Pin Charging)	No - Use LIND Power Adapter (7300-0415)	2.6 lbs 1.2 kg	10" 25.5 cm	9" 22.9 cm	3.4" 8.6 cm
7160-0818-00	Zebra 10" Cradle (No Electronics)	No - Use LIND Power Adapter (7300-0415)	2.6 lbs 1.2 kg	10" 25.5 cm	10" 25.5 cm	3.4" 8.6 cm
7160-0818-04	Zebra ET50/55 10" Powered Cradle (POGO Pin Charging)	No - Use LIND Power Adapter (7300-0415)	2.6 lbs 1.2 kg	10" 25.5 cm	10" 25.5 cm	3.4" 8.6 cm



7160-0819-04

**FEATURES**

- Compatible with Zebra enterprise tablets with the rugged frame option
- Optional power supply input
- Accommodates expansion back of the ET50/55 to easily add accessories like a scanner, hand strap, battery bay, or stylus
- Front camera on ET50/55 accessible when the tablet is in the cradle
- Compatible with Windows or Android operating systems
- Dual latch/locks provide tablet stability and guide pins align the tablet so it's properly placed in the cradle
- VESA 75 mm mounting pattern
- MIL-STD 810G shock/vibration, RoHS, FCC, and SAE J1455 crash certifications
- 3-Year Limited Warranty

**ZEBRA ET50/55 8" AND 10" DOCKING STATION**

ITEM NO.	DESCRIPTION	POWER SUPPLY	WEIGHT	HEIGHT	WIDTH	DEPTH
7160-0860-00	Zebra ET50/55 10" Docking Station	No	2.6 lbs 1.2 kg	10" 25.4 cm	10" 25.4 cm	3.4" 8.6 cm
7160-0861-00	Zebra ET50/55 8" Docking Station	No	2.6 lbs 1.2 kg	10" 25.4 cm	9" 22.9 cm	3.4" 8.6 cm
7170-0529	Zebra ET50/55 8" Docking Station with LIND Automotive Power Adapter	Includes Auto Power Adapter (7300-0415)	2.6 lbs 1.2 kg	10" 25.4 cm	9" 22.9 cm	3.4" 8.6 cm
7170-0522	Zebra ET50/55 8" Docking Station with LIND Material Handling Isolated Power Adapter	Includes LIND 12-32VDC Material Handling Isolated Power Adapter (7300-0466)	2.6 lbs 1.2 kg	10" 25.4 cm	9" 22.9 cm	3.4" 8.6 cm
7170-0523	Zebra ET50/55 8" Docking Station with LIND Material Handling Isolated Power Adapter	Includes LIND 20-60VDC Material Handling Isolated Power Adapter (7300-0467)	2.6 lbs 1.2 kg	10" 25.4 cm	9" 22.9 cm	3.4" 8.6 cm
7170-0528	Zebra ET50/55 10" Docking Station with LIND Automotive Power Adapter	Includes Auto Power Adapter (7300-0415)	2.6 lbs 1.2 kg	10" 25.4 cm	10" 25.4 cm	3.4" 8.6 cm
7170-0520	Zebra ET50/55 10" Docking Station with LIND Material Handling Isolated Power Adapter	Includes LIND 12-32VDC Material Handling Isolated Power Adapter (7300-0466)	2.6 lbs 1.2 kg	10" 25.4 cm	10" 25.4 cm	3.4" 8.6 cm
7170-0521	Zebra ET50/55 10" Docking Station with LIND Material Handling Isolated Power Adapter	Includes LIND 20-60VDC Material Handling Isolated Power Adapter (7300-0467)	2.6 lbs 1.2 kg	10" 25.4 cm	10" 25.4 cm	3.4" 8.6 cm



7160-0860-00

**FEATURES**

- Compatible with Zebra ET5X series enterprise tablets with the rugged frame option
- Accommodates expansion back of the ET50/55 51/56 to easily add accessories like a scanner, hand strap, battery bay, or stylus
- Front camera on ET50/55 51/56 accessible when the tablet is in the cradle
- Compatible with Windows or Android operating systems
- Dual latch/locks provide t stability and guide pins align the tablet so it's properly placed in the cradle
- VESA 75 mm mounting pattern
- MIL-STD 810G shock/vibration, RoHS, FCC, and SAE J1455 crash certifications
- 3-Year Limited Warranty

**PORT REPLICATOR**

- Ethernet (1) RJ45
- USB 3.0 (2) 9 Pin
- HDMI (1) 19 Pin
- Serial RS232 D-Sub 9 Pin (1 amp power on pin 9)
- Power supply input



**ZEBRA ET50/55 DOCKING STATION/CRADLE ACCESSORIES**



ITEM NO.	DESCRIPTION	PLACEMENT	WEIGHT	HEIGHT	WIDTH	DEPTH
<b>7160-0829</b>	Stylus Bracket	Attaches to the Bottom of the Docking Station	0.2 lbs 0.1 kg	1.0" 2.5 cm	7.8" 19.7 cm	0.7" 1.8 cm
<b>7160-0949</b>	8" Universal Tablet Cover	For Use with Zebra ET50/55 8" Tablet Docking Stations and Cradles	0.2 lbs 0.1 kg	12.5" 31.8 cm	10.5" 26.7 cm	3.5" 8.9 cm
<b>7160-0982</b>	Thermal Tablet Protective Cover	Use with Zebra 10" Tablet Docking Stations and Cradles	1.15 lbs. 0.52 kg	14.25" 36.2 cm	12.75" 32.4 cm	3.5" 8.9 cm
<b>7160-0981</b>	Thermal Tablet Protective Cover	Use with Zebra 8" Tablet Docking Stations and Cradles	0.95 lbs. 0.43 kg	13.5" 34.3 cm	11.25" 28.6 cm	3.25" 8.3 cm
<b>7300-0472</b>	LIND AC 12V Material Handling Power Adapter, Output 60W to Barrel Connector Plug	For Use with the Following Zebra Docking Stations and Cradles: Zebra ET50/55, ET51/56	0.85 lbs. 0.39kg	1.25" 3.18 cm	5.0" 12.7 cm	2.4" 6.1 cm
<b>7300-0418</b>	LIND 72-110V Material Handling Isolated Power Adapter with Bare Wire Lead. Output Voltage 12Vdc, Output Current 3.5 Amps to Barrel Connector Plug	For Use with the Following Zebra Docking Stations and Cradles: Zebra ET50/55, ET51/56, TC8000/TC8300	1.6 lbs. 0.74 kg	1.15" 2.92 cm	9.3" 23.6 cm	3.0" 7.62 cm
<b>7300-0467</b>	LIND 20-60V Material Handling Isolated Power Adapter with Bare Wire Lead. Output Voltage 12Vdc, Output Current 3.5 Amps to Barrel Connector Plug	For Use with the Following Zebra Docking Stations and Cradles: Zebra ET50/55, ET51/56, TC8000/TC8300	1.56 lbs. 0.52 kg	1.15" 2.92 cm	9.3" 23.6 cm	3.0" 7.62 cm
<b>7300-0466</b>	LIND 12-32V Material Handling Isolated Power Adapter with Bare Wire Lead. Output Voltage 12Vdc, Output Current 3.5 Amps to Barrel Connector Plug	For Use with the Following Zebra Docking Stations and Cradles: Zebra ET50/55, ET51/56, TC8000/TC8300	1.56 lbs. 0.52 kg	1.15" 2.92 cm	9.3" 23.6 cm	3.0" 7.62 cm
<b>7300-0415</b>	LIND 11-16V Automotive Power Adapter with Cigarette Lighter Connector	For Use with the Following Zebra Docking Stations and Cradles: Zebra ET50/55, ET51/56	1.01 lbs. 0.46 kg	1.2" 3.0 cm	2.5" 6.35 cm	5.15" 13.08 cm

**ZEBRA ET 51/56 SLIM 8" DUAL USB TABLET DOCKING STATION**



ITEM NO.	DESCRIPTION	POWER SUPPLY	WEIGHT	HEIGHT	WIDTH	DEPTH
<b>7160-1506-00</b>	Zebra ET51/56 Series SLIM 8" Dual USB Docking Station	Internal Power Filtering PCB	1.7 lbs 0.77 kg	8.75" 22.22 cm	9.93" 25.2 cm	3.12" 7.92 cm

**FEATURES**

- Designed for the Zebra ET51/56 8" rugged tablet computer with rugged frame
- Zebra Certified
- POGO pin connector and internal power supply provides power to charge the Zebra tablet while docked
- 8-40V power input range
- Dual powered USB ports: 1.5A for each port to connect peripheral devices
- Access to all control buttons and ports while the tablet is safely docked
- Bottom-facing I/O ports; integrated cable restraint/cable management system
- Approximately 60" (152.4 cm) power cable with bare wire end to attach to power source
- Composite/aluminum design for reduced weight and extended durability
- Designed with rounded edges to enhance personal safety
- Keyed lock for security and theft deterrence
- Forward facing docking latch/release for easy one-handed operation:
  - Insert bottom of Zebra tablet into the docking station and push top of the tablet until the lock engages
  - To remove, lift latch to disengage and pull computer out of docking station
- VESA 75 mm and AMPS mounting patterns; compatible with Gamber-Johnson's Zirkona mounting products
- MIL-STD 810G shock/vibration, RoHS, FCC, CE, and SAE J1455 crash certifications
- 3-Year Limited Warranty

**PORT REPLICATION**

- (2) USB 2.0                                      1.5A each

**ZEBRA ET 51/56 SLIM 8" FULL PORT REPLICATION TABLET DOCKING STATION**

ITEM NO.	DESCRIPTION	POWER SUPPLY	WEIGHT	HEIGHT	WIDTH	DEPTH
7160-1506-20	Zebra ET51/56 Series SLIM 8" Full Port Replication Docking Station	Use LIND Power Adapters (7300-0415, 7300-0466, 7300-0467)	2.2 lbs 0.99 kg	8.75" 22.22 cm	9.93" 25.2 cm	3.12" 7.92 cm
<p><b>FEATURES</b></p> <ul style="list-style-type: none"> <li>- Designed for the Zebra ET51/56 8" rugged tablet computer with rugged frame</li> <li>- Zebra Certified utilizing Zebra Certified electronics</li> <li>- This dock does not accommodate ET51/56 accessories</li> <li>- Front camera on ET5X accessible when the tablet is in the docking station</li> <li>- Compatible with Windows or Android operating systems</li> <li>- Access to all control buttons and ports while the tablet is safely docked</li> <li>- Bottom-facing I/O ports; integrated cable restraint/cable management system</li> <li>- Guide pins prevent damage to the docking connection when docking the tablet</li> <li>- Composite/aluminum design for reduced weight and extended durability</li> <li>- Designed with rounded edges to enhance personal safety</li> <li>- Keyed lock for security and theft deterrence</li> <li>- Forward facing docking latch/release for easy one-handed operation:                             <ul style="list-style-type: none"> <li>- Insert bottom of Zebra tablet into the docking station and push top of the tablet until the lock engages</li> <li>- To remove, lift latch to disengage and pull computer out of docking station</li> </ul> </li> <li>- VESA 75 mm mounting pattern</li> <li>- MIL-STD 810G shock/vibration, RoHS, FCC, CE, and SAE J1455 crash certifications</li> <li>- 3-Year Limited Warranty</li> </ul>						
<p><b>PORT REPLICATION</b></p> <ul style="list-style-type: none"> <li>- Zebra Certified Electronics</li> <li>- USB 3.0 (2)                                    9 pin (900mA)</li> <li>- RS232 Serial (1)                              Power on pin 9 (825mA)</li> <li>- HDMI (1)                                        19 pin</li> <li>- Ethernet (1)                                    RJ45 (322 mb/s)</li> <li>- Power Input                                    12VDC</li> </ul>						



**ZEBRA ET51/56 SLIM 8" TABLET CRADLE**

ITEM NO.	DESCRIPTION	POWER SUPPLY	WEIGHT	HEIGHT	WIDTH	DEPTH
7160-1506-90	Zebra ET51/56 Series SLIM 8" Cradle (No Electronics)		1.5 lbs 0.68 kg	8.75" 22.22 cm	9.93" 25.2 cm	3.12" 7.92 cm
7160-1506-10	Zebra ET51/56 Series SLIM 8" Charging Cradle	Use LIND Power Adapters (7300-0415, 7300-0466, 7300-0467)	1.6 lbs 0.72 kg	8.75" 22.22 cm	9.93" 25.2 cm	3.12" 7.92 cm
<p><b>FEATURES</b></p> <ul style="list-style-type: none"> <li>- Designed for the Zebra ET51/56 8" rugged tablet computer with rugged frame</li> <li>- Zebra Certified</li> <li>- This cradle does not accommodate ET51/56 accessories</li> <li>- Front camera on ET5X accessible when the tablet is in the cradle</li> <li>- Compatible with Windows or Android operating systems</li> <li>- Access to all control buttons and ports while the tablet is safely docked</li> <li>- Guide pins prevent damage to the charging pins when cradling the tablet</li> <li>- Powered POGO pins transfer power to the Zebra tablet (on charging cradle)</li> <li>- Composite/aluminum design for reduced weight and extended durability</li> <li>- Designed with rounded edges to enhance personal safety</li> <li>- Keyed lock for security and theft deterrence</li> <li>- Forward facing docking latch/release for easy one-handed operation:                             <ul style="list-style-type: none"> <li>- Insert bottom of Zebra tablet into the docking station and push top of the tablet until the lock engages</li> <li>- To remove, lift latch to disengage and pull computer out of cradle</li> </ul> </li> <li>- VESA 75 mm mounting pattern</li> <li>- MIL-STD 810G shock/vibration, RoHS, FCC, CE, and SAE J1455 crash certifications</li> <li>- 3-Year Limited Warranty</li> </ul>						
<p><b>PORT REPLICATION</b></p> <ul style="list-style-type: none"> <li>- Power Input                                    12VDC (on charging cradle)</li> </ul>						



7160-1506-10

**ZEBRA ET80/85 SLIM DOCKING STATION**



ITEM NO.	DESCRIPTION	WEIGHT	HEIGHT	WIDTH	DEPTH
7160-1787-00	Zebra ET80/85 SLIM Dual USB Docking Station (no RF)	2.25 lbs / 1.02 kg	11.1 in / 28.19 cm	12.8 in / 32.51 cm	3.1 in / 7.87 cm
7160-1787-03	Zebra ET80/85 SLIM Dual USB Docking Station (Tri RF)				

**FEATURES**

- Compatible with the Zebra ET80/85 Rugged tablet computer and keyboard.
- Tablet's rugged frame is required to work with docking station.
- Access to all tablet control buttons and ports while the tablet is docked.
- Downward-facing I/O ports; integrated cable strain relief and cable management system.
- Configurable TRI RF pass-through for additional customization.
- Patented Slam Latch for one-hand docking and release for efficient use all day long.
- Keyed lock for theft deterrence.
- Slim design to preserve cabin space.
- Gamber-Johnson's rugged construction and reliability.
- Composite design for reduced weight and durability.
- VESA 75 mounting pattern with 1/4-20 mounting studs for easy mounting with Gamber-Johnson mounts and motion attachments.

**ZEBRA ET51/56 8" TABLET DOCKING STATION ACCESSORIES**



7300-0467

ITEM NO.	DESCRIPTION	PLACEMENT/COMPATIBILITY	WEIGHT	HEIGHT	WIDTH	DEPTH
7300-0466	LIND 12-32V Material Handling Isolated Power Adapter for Zebra ET50/51 55/56. Output Voltage 12VDC Output Current 3.5 A.	Use with Zebra ET5X Docking Stations and Cradles	1.01 lbs .46 kg	1.2" 3.0 cm	2.5" 6.35 cm	5.15" 13.08 cm
7300-0467	LIND 20-60V Material Handling Isolated Power Adapter for Zebra ET50/51 55/56. Output Voltage 12VDC Output Current 3.5 A.	Use with Zebra ET5X Docking Stations and Cradles	1.56 lbs .52 kg	1.15" 2.92 cm	3.0" 7.62 cm	9.3" 23.6 cm
7300-0415	LIND 11-16V Automobile Power Adapter for Zebra ET50/51 55/56. Output Voltage 12VDC Output Current 3.5 A.	Use with Zebra ET5X Docking Stations and Cradles	1.01 lbs .46 kg	1.2" 3.0 cm	2.5" 6.35 cm	5.15" 13.08 cm
7160-0949	8" Universal Tablet Protective Cover	Use with Zebra ET51/56 Docking Stations and Cradles	.4 lbs .18 kg	12.5" 31.8 cm	10.5" 26.7 cm	3.5" 8.9 cm
7160-0981	Thermal Tablet Protective Cover	Use with Zebra 8" Tablet Docking Stations and Cradles	.95 lbs. .43 kg	13.5" 34.3 cm	11.25" 28.6 cm	3.25" 8.3 cm



**ZEBRA L10 WINDOWS TABLET DOCKING STATION**

ITEM NO.	DESCRIPTION	POWER SUPPLY	WEIGHT	HEIGHT	WIDTH	DEPTH
7160-1321-00	Zebra L10 Windows Docking Station (No RF)	No - Use LIND Power Adapter (7300-0484)	3.3 lbs 1.49 kg	10.63" 27 cm	11.81" 29.99 cm	3.94" 10 cm
7160-1321-05	Zebra L10 Windows Docking Station (5x RF)	No - Use LIND Power Adapter (7300-0484)	3.75 lbs 1.70 kg	10.63" 27 cm	11.81" 29.99 cm	3.94" 10 cm
7170-0798	Windows Docking Station 5x RF with 12-16V Automotive Power Adapter	Yes - Includes LIND Auto Power Adapter	4.75 2.15 kg	10.63" 27 cm	11.81" 29.99 cm	3.94" 10 cm
7170-0799	Windows Docking Station No RF with 12-16V Automotive Power Adapter	Yes - Includes LIND Auto Power Adapter	4.3 lbs 1.95 kg	10.63" 27 cm	11.81" 29.99 cm	3.94" 10 cm
7170-0800	Windows Docking Station No RF with 20-60V Material Handling Isolated Power Adapter	Yes - Includes LIND Auto Power Adapter	4.86 lbs 2.2 kg	10.63" 27 cm	11.81" 29.99 cm	3.94" 10 cm
7170-0801	Windows Docking Station NO RF with 72-110V Material Handling Isolated Power Adapter	Yes - Includes LIND Auto Power Adapter	4.86 lbs 2.2 kg	10.63" 27 cm	11.81" 29.99 cm	3.94" 10 cm



7160-1321-05

**FEATURES**

- Compatible with the Zebra Windows L10 xPad hard-handle and xSlate tablet computer
- Zebra Certified utilizing Zebra Certified electronics
- Design accommodates the L10 extended battery, smart card/CAC reader module, True Serial (RS232) module, hard handle, soft handle, and shoulder strap
- Sealed docking connector to protect against moisture
- RS232 - power pin 9 (825mA)
- LED indicator lights show that “tablet is docked” and “dock is powered”
- Access door to internal USB 2.0 port provides additional security
- Floating docking connector for reliable docking activation
- Bottom-facing I/O ports; integrated cable restraint/cable management system
- Optional RF pass-through SMA - (WWAN Main, GPS, WWAN Aux, WIFI Main, WIFI Aux)
- Designed with rounded edges to enhance personal safety
- Composite/aluminum design for reduced weight and durability
- Keyed lock for security and theft deterrence
- Forward facing docking latch/release for easy one-handed operation:
  - Insert bottom of computer into docking station, push top of computer in and pull latch forward until latch engages
  - To remove, lift latch to disengage and pull computer out of docking station
- VESA 75 mm and 50 mm x 100 mm mounting patterns
- MIL-STD 810G shock/vibration, RoHS, FCC, CE, and SAE J1455 crash certifications
- 3-Year Limited Warranty

**PORT REPLICATION**

- |   |   |
|---|---|
| <ul style="list-style-type: none"> <li>- Zebra Certified Electronics</li> <li>- USB 3.0 (2) 9 pin (900mA)</li> <li>- USB 2.0 (2) 4 pin (500 mA)</li> <li>- USB 2.0 (1) 4 pin (500mA) behind internal access door</li> <li>- RS232 Serial (1) Power on pin 9 (825mA)</li> <li>- HDMI (1) 19 pin</li> </ul> | <ul style="list-style-type: none"> <li>- VGA (1) D-sub 9 pin</li> <li>- Ethernet (1) RJ45 (322 mb/s)</li> <li>- Microphone</li> <li>- Headphones / Speakers</li> <li>- Power Input 19VDC</li> <li>- Antenna 5x RF (SMA) (optional)</li> </ul> |
|---|---|



7160-1453-00

**ZEBRA L10 ANDROID TABLET DOCKING STATION**

ITEM NO.	DESCRIPTION	POWER SUPPLY	WEIGHT	HEIGHT	WIDTH	DEPTH
<b>7160-1453-00</b>	Zebra L10 Android Tablet Docking Station (No RF)	<b>No</b> - Use LIND Power Adapter (7300-0484)	3.3 lbs 1.49 kg	10.63" 27 cm	11.81" 29.99 cm	3.94" 10 cm
<b>7170-0805</b>	Android Docking Station No RF with 90W Auto Power Adapter	<b>Yes</b> - Includes LIND Auto Power Adapter	4.3 lbs 1.95 kg	10.63" 27 cm	11.81" 29.99 cm	3.94" 10 cm
<b>7170-0806</b>	Android Docking Station No RF with 20-60V Isolated Power Adapter	<b>Yes</b> - Includes LIND Auto Power Adapter	4.86 lbs 2.2 kg	10.63" 27 cm	11.81" 29.99 cm	3.94" 10 cm
<b>7170-0807</b>	Android Docking Station No RF with 72-110V Isolated Power Adapter	<b>Yes</b> - Includes LIND Auto Power Adapter	4.86 lbs 2.2 kg	10.63" 27 cm	11.81" 29.99 cm	3.94" 10 cm

**FEATURES**

- Designed for the Zebra L10 Android Tablet
- Zebra Certified utilizing Zebra Certified electronics
- Accommodates the L10 extended battery, smart card/CAC reader module, True Serial (RS232) module, hard handle, soft handle, and shoulder strap
- Sealed docking connector to protect against moisture
- RS232 - power pin 9 (825mA)
- LED indicator lights show that "tablet is docked" and "dock is powered"
- Access door to internal USB 2.0 port provides additional security
- Floating docking connector for reliable docking activation
- Bottom-facing I/O ports; integrated cable restraint/cable management system
- Composite/aluminum design for reduced weight and extended durability
- Designed with rounded edges to enhance personal safety
- Keyed lock for security and theft deterrence
- Forward facing docking latch/release for easy one-handed operation:
- Insert bottom of computer into docking station, push top of computer in and pull latch forward until latch engages
- To remove, lift latch to disengage and pull computer out of docking station
- VESA 75 mm and 50 mm x 100 mm mounting patterns
- MIL-STD 810G shock/vibration, RoHS, FCC, CE, and SAE J1455 crash certifications
- 3-Year Limited Warranty

**PORT REPLICATION**

- Zebra Certified Electronics
- USB 3.0 (2) 9 pin (900mA)
- USB 2.0 (2) 4 pin (500 mA)
- USB 2.0 (1) 4 pin (500mA) behind internal access door
- RS232 Serial (1) Power on pin 9 (825mA)
- Microphone
- Headphones / Speakers
- Power Input 19VDC



7110-1292

**ZEBRA L10 DOCKING STATION ACCESSORIES**

ITEM NO.	DESCRIPTION	PLACEMENT/COMPATIBILITY	WEIGHT	HEIGHT	WIDTH	DEPTH
<b>7110-1292</b>	Cradle NO RF (No Electronics)	Use with Zebra L10 Tablet Docking Station or Combine with Docking Station Module to Build Full Dock	2.07 lbs 0.94 kg	9.7" 24.7 cm	11.8" 30.1 cm	2.99" 7.6 cm
<b>7160-1321-01</b>	Windows Docking Station Module (Converts L10 Cradle to Docking Station)	Use to Convert Zebra L10 Cradle to a Full Windows Docking Station	1.23 lbs 0.55 kg	9.0" 22.86 cm	10" 25.4 cm	3.75" 9.52 cm
<b>7160-1453-01</b>	Android Tablet - Docking Station Module	Use to Convert Zebra L10 Cradle to a Full Android Docking Station	1.23 lbs 0.55 kg	9.0" 22.86 cm	10" 25.4 cm	3.75" 9.52 cm
<b>7300-0484</b>	LIND 12-16V Automobile Power Adapter with Bare Wire Lead. 90W Output Power, 19VDC Output Voltage.	Use with Zebra L10 Tablet Docking Station	1.0 lbs 0.46 kg	1.0" 2.54 cm	3.0" 7.62 cm	5.5" 13.97 cm
<b>7300-0346</b>	LIND 72-110V Isolated Power Adapter with Bare Wire Lead. 90W Output Power, 19VDC Output Voltage.	Use with Zebra L10 Tablet Docking Station	1.56 lbs 0.52 kg	1.15" 2.92 cm	3.0" 7.62 cm	9.3" 23.6 cm
<b>7300-0458</b>	LIND 20-60V Isolated Power Adapter with Bare Wire Lead. 90W Output Power, 19VDC Output Voltage.	Use with Zebra L10 Tablet Docking Station	1.56 lbs 0.52 kg	1.15" 2.92 cm	3.0" 7.62 cm	9.3" 23.6 cm

**ZEBRA ET51/56 2-IN-1 ATTACHABLE KEYBOARD**

ITEM NO.	DESCRIPTION	PLACEMENT/COMPATIBILITY	WEIGHT	HEIGHT	WIDTH	DEPTH
7160-1585-00	2-in-1 Attachable Keyboard for the Zebra ET51/56 Rugged Tablet Computer	Use with the Zebra ET51/56 Tablet Computer	1.80 lbs 0.81 kg	1.5" 3.81 cm	0.31" 26.18 cm	7.56" 19.20 cm
<p><b>FEATURES</b></p> <ul style="list-style-type: none"> <li>- Designed for the Zebra ET51/56 Tablet computer without rugged case</li> <li>- Integrated center touchpad with right and left mouse buttons</li> <li>- Convenient carrying handle for easy portability</li> <li>- 76-key keyboard with 12 function keys for custom operation</li> <li>- Silicone rubber keys with white lettering and a rugged polycarbonate case</li> <li>- Docking connector links the tablet to the keyboard</li> <li>- USB- A port to attach a mouse, another peripheral, or flash drive</li> <li>- Easily connect the tablet to the keyboard; slip the bottom of the tablet into the case and snap the top of the case over the tablet</li> <li>- All the Zebra ET51/56 control buttons and rear camera are accessible when the tablet is docked onto the keyboard</li> <li>- Friction hinge and screen footrest position the tablet at a comfortable viewing angle</li> <li>- Low-profile ergonomic design for ease of use in a mobile environment</li> <li>- Rubber feet to prevent slippage</li> <li>- Available in US English (7160-1585-00), UK English (7160-1585-01), German (7160-1585-02), French (7160-1585-03), Spanish (7160-1585-04), French CA (7160-1585-05), Thai (7160-1585-06). Contact Gamber-Johnson for other language options.</li> <li>- MIL-STD 810G shock/vibration, RoHS, FCC, CE</li> <li>- 1 Year Warranty (not designed to be vehicle mounted)</li> </ul>						



**ZEBRA TC8000/TC8300 DOCKING STATION**

ITEM NO.	DESCRIPTION	POWER SUPPLY	WEIGHT	HEIGHT	WIDTH	DEPTH
7160-1277-02	Zebra TC8000/TC8300 Docking Station	Use LIND Power Adapters: 12-32V Isolated Power Adapter (7300-0466), 20-60V Isolated Power Adapter (7300-0467), 72-110V Isolated Power Adapter (7300-0418)	2.05 lbs 0.93 kg	4.13" 10.49 cm	4.25" 10.8 cm	6.0" 15.24 cm
<p><b>FEATURES</b></p> <ul style="list-style-type: none"> <li>- Compatible with both Zebra TC8000 and Zebra TC8300 Handheld Touch Computers</li> <li>- Requires Zebra USB I/O Hub for charging capabilities</li> <li>- Lightweight, small form factor designed to be resilient and reliable in harsh material handling and enterprise environments</li> <li>- Patented slam latch technology allows single handed operation to effortlessly remove the device</li> <li>- Eliminate daily battery exchanges and device downtime by maintaining charge within your mobile work environment</li> <li>- Reduce costly damages by safely securing your device</li> <li>- Included lock for theft deterrence and extra device security</li> <li>- Offers the ability to utilize the device when secured</li> <li>- Easy one-handed operation:                         <ul style="list-style-type: none"> <li>- To dock: Insert top of the scanner into the dock at a 45 degree angle until the top of the scanner hits the inside edge of the dock</li> <li>- Lower the handle portion of the scanner into the dock until latch pops over front surface of the scanner</li> <li>- To release: Push the thumb latch to the left and pull outward on the scanner handle</li> </ul> </li> <li>- Attach to a Gamber-Johnson mounting system using the AMPS hole pattern</li> <li>- MIL-STD 810G shock/vibration, RoHS, FCC</li> <li>- 1 Year Limited Warranty</li> </ul>						
<p><b>PORT REPLICATION</b></p> <ul style="list-style-type: none"> <li>- Power Input</li> </ul>						





**ZEBRA TC8000/TC8300 CRADLES**

ITEM NO.	DESCRIPTION	POWER SUPPLY	WEIGHT	HEIGHT	WIDTH	DEPTH
7160-1277-00	Zebra TC8000/TC8300 Non-Powered Cradle (No Electronics)		1.15 lbs 0.52 kg	4.13" 10.49 cm	4.25" 10.8 cm	6.0" 15.24 cm
7160-1277-01	Zebra TC8000/TC8300 Powered Charging Cradle	Use LIND Power Adapters: 12-32V Isolated Power Adapter (7300-0455), 20-60V Isolated Power Adapter (7300-0456), 72-110V Isolated Power Adapter (7300-0483)	1.30 lbs 0.59 kg	4.13" 10.49 cm	4.25" 10.8 cm	6.0" 15.24 cm

**FEATURES**

- Compatible with both Zebra TC8000 and Zebra TC8300 Handheld Touch Computers
- Lightweight, small form factor designed to be resilient and reliable in harsh material handling and enterprise environments
- Patented slam latch technology allows single handed operation to effortlessly remove the device
- Eliminate daily battery exchanges and device downtime by maintaining charge within your mobile work environment
- Reduce costly damages by safely securing your device
- Included lock for theft deterrence and extra device security
- Offers the ability to utilize the device when secured
- Easy one-handed operation:
  - To dock: Insert top of the scanner into the dock at a 45 degree angle until the top of the scanner hits the inside edge of the dock
  - Lower the handle portion of the scanner into the dock until latch pops over front surface of the scanner
  - To release: Push the thumb latch to the left and pull outward on the scanner handle
- Attach to a Gamber-Johnson mounting system using the AMPS hole pattern
- MIL-STD 810G shock/vibration, RoHS, FCC
- 1 Year Limited Warranty



**ZEBRA TC5X SERIES CRADLES**

ITEM NO.	DESCRIPTION	POWER SUPPLY	WEIGHT	HEIGHT	WIDTH	DEPTH
7160-1497	Zebra TC5x Non-Powered Cradle (No Electronics)		0.25 lbs 0.11 kg	7.96" 20.21 cm	3.58" 9.09 cm	1.63" 4.14 cm
7160-1497-01	Zebra TC5x Powered Cradle	Use LIND Power Adapters: 12-32V Isolated Power Adapter (7300-0466), 20-60V Isolated Power Adapter (7300-0467), 72-110V Isolated Power Adapter (7300-0418)	0.25 lbs 0.11 kg	7.96" 20.21 cm	3.58" 9.09 cm	1.63" 4.14 cm
7160-1497-02	Zebra TC5x Rugged Hub Adapter Cradle	Use Gamber-Johnson's Rugged Video Adapter Hub (7160-1580) for Power Requirements (8-32VDC) and Port Replication	0.25 lbs 0.11 kg	7.96" 20.21 cm	3.58" 9.09 cm	1.63" 4.14 cm

**FEATURES**

- Compatible with the Zebra TC5x Series Handheld Touch Computer (Requires Zebra rugged boot SG-TC5X-EX01-01)
- Cradle accommodates the Zebra TC5x hand strap
- Lightweight, small form factor designed to be resilient and reliable in harsh material handling and enterprise environments
- Eliminate daily battery exchanges and device downtime by maintaining charge within your mobile work environment (powered cradle/rugged hub adapter cradle)
- Reduce costly damages by safely securing your device
- Easy one-handed docking and release operation:
  - To dock: Insert bottom of computer into the cradle, push top of computer into cradle until cradle latch clicks into place in the computer
  - To release: Lift latch to disengage and pull computer out of the cradle
- Attach to a Gamber-Johnson mounting system using the AMPS hole pattern
- MIL-STD 810G shock/vibration, RoHS, FCC
- 1 Year Limited Warranty

**ZEBRA TC7X SERIES CRADLES**

ITEM NO.	DESCRIPTION	PLACEMENT/COMPATIBILITY	WEIGHT	HEIGHT	WIDTH	DEPTH
7160-1509	Zebra TC7x Cradle (No Electronics)		0.25 lbs 0.11 kg	7.12" 18.08 cm	3.56" 9.04 cm	2.0" 5.08 cm
7160-1509-01	Zebra TC7x Powered Cradle	Use LIND Power Adapters: 12-32V Isolated Power Adapter (7300-0466), 20-60V Isolated Power Adapter (7300-0467), 72-110V Isolated Power Adapter (7300-0418)	.25 lbs 00.11 kg	7.12" 18.08 cm	3.56" 9.04 cm	2.0" 5.08 cm
7160-1509-02	Zebra TC7x Rugged Hub Adapter Cradle	Use Gamber-Johnson's Rugged Video Adapter Hub (7160-1580) for Power Requirements (8-32VDC) and Port Replication	0.25 lbs 0.11 kg	7.12" 18.08 cm	3.56" 9.04 cm	2.0" 5.08 cm



7160-1509

**FEATURES**

- Compatible with the Zebra TC7x Series Handheld Touch Computer
- Cradle accommodates the Zebra TC7x hand strap
- Upper cut out enables scanner to be used while the computer is docked
- Lightweight, small form factor designed to be resilient and reliable in harsh material handling and enterprise environments
- Eliminate daily battery exchanges and device downtime by maintaining charge within your mobile work environment
- Reduce costly damages by safely securing your device
- Included lock for theft deterrence and extra device security
- Easy one-handed docking and release operation:
  - To dock: Insert bottom of computer into the cradle, push top of computer into cradle until cradle latch clicks into place in the computer
  - To release: Lift latch to disengage and pull computer out of the cradle
- Attach to a Gamber-Johnson mounting system using the AMPS hole pattern
- MIL-STD 810G shock/vibration, RoHS, FCC
- 1 Year Limited Warranty

**ZEBRA TC7X SERIES CRADLES**

ITEM NO.	DESCRIPTION	PLACEMENT/COMPATIBILITY	WEIGHT	HEIGHT	WIDTH	DEPTH
7160-1509	Zebra TC7x Cradle (No Electronics)		0.25 lbs 0.11 kg	7.12" 18.08 cm	3.56" 9.04 cm	2.0" 5.08 cm
7160-1509-01	Zebra TC7x Powered Cradle	Use LIND Power Adapters: 12-32V Isolated Power Adapter (7300-0466), 20-60V Isolated Power Adapter (7300-0467), 72-110V Isolated Power Adapter (7300-0418)	.25 lbs 00.11 kg	7.12" 18.08 cm	3.56" 9.04 cm	2.0" 5.08 cm
7160-1509-02	Zebra TC7x Rugged Hub Adapter Cradle	Use Gamber-Johnson's Rugged Video Adapter Hub (7160-1580) for Power Requirements (8-32VDC) and Port Replication	0.25 lbs 0.11 kg	7.12" 18.08 cm	3.56" 9.04 cm	2.0" 5.08 cm



7160-1509

**FEATURES**

- Compatible with the Zebra TC7x Series Handheld Touch Computer
- Cradle accommodates the Zebra TC7x hand strap
- Upper cut out enables scanner to be used while the computer is docked
- Lightweight, small form factor designed to be resilient and reliable in harsh material handling and enterprise environments
- Eliminate daily battery exchanges and device downtime by maintaining charge within your mobile work environment
- Reduce costly damages by safely securing your device
- Included lock for theft deterrence and extra device security
- Easy one-handed docking and release operation:
  - To dock: Insert bottom of computer into the cradle, push top of computer into cradle until cradle latch clicks into place in the computer
  - To release: Lift latch to disengage and pull computer out of the cradle
- Attach to a Gamber-Johnson mounting system using the AMPS hole pattern
- MIL-STD 810G shock/vibration, RoHS, FCC
- 1 Year Limited Warranty

## PANORAMA ANTENNAS

PART NUMBER	DESCRIPTION	CELLULAR	GPS	WIFI	HOUSING STYLE	MOUNT TYPE	ANTENNA CONNECTION TYPE
7300-0158	Sharkfin Style Antenna, GPS + LTE + WiFi	698-960 / 1710-2700MHz	GPS L1 1575	2.4 / 5.0GHz	Sharkfin	Bolt, Panel or Bracket Mount	TNC
7300-0159	Sharkfin Style Antenna, GPS/GNSS + Dual Cell LTE + WiFi	1562-1612MHz 26dB LNA	2x2MiMo: 698-960 / 1710-3800MHz	2x2MiMo: 2.4 / 5.0GHz	Sharkfin	Bolt, Panel or Bracket Mount	TNC
7300-0160	Sharkfin Style Antenna, GPS + LTE	698-960 / 1710-2700MHz	GPS L1 1575		Sharkfin	Bolt, Panel or Bracket Mount	TNC
7300-0161	Sharkfin Style Antenna, GPS/GNSS + Dual Cell LTE + WiFi	1562-1612MHz 26dB LNA	2x2MiMo: 698-960 / 1710-3800MHz	2x2MiMo: 2.4 / 5.0GHz	Sharkfin	Bolt, Panel or Bracket Mount	SMA
7300-0162	Sharkfin Style Antenna, GPS + LTE + WiFi	698-960 / 1710-2700MHz	GPS L1 1575	2.4 / 5.0GHz	Sharkfin	Bolt, Panel or Bracket Mount	SMA
7300-0165	Low Profile Antenna, 2G/3G/4G LTE + GPS	698-960/1710-2700MHz	1562-1612		Low Profile Dome	Bolt, Panel or Bracket Mount	SMA
7300-0166	Low Profile Antenna, 2G/3G/4G + GPS	698-960 / 1710-2700MHz	GPS L1 1575		Low Profile Dome	Bolt, Panel or Bracket Mount	TNC
7300-0167	Dashboard/Windshield Mount Antenna, 2G/3G/4G LTE + GPS/GNSS	698-960 / 1710-2700MHz	1562-1612 26dB LNA		Low Profile Puck	Adhesive, Windshield or Dashboard	SMA
7300-0168	Dashboard/Windshield Mount Antenna, 2G/3G/4G LTE + GPS/GNSS	698-960 / 1710-2700MHz	1562-1612 26dB LNA		Low Profile Puck	Adhesive, Windshield or Dashboard	TNC
7300-0169	Dashboard/Windshield Mount Antenna, 2G/3G/4G LTE + GPS/GNSS + WiFi	698-960 / 1710-3800MHz	1562-1612 26dB LNA	2.4 / 5.0GHz	Low Profile Puck	Adhesive, Windshield or Dashboard	SMA
7300-0170	Dashboard/Windshield Mount Antenna, 2G/3G/4G LTE + GPS/GNSS + WiFi	698-960 / 1710-3800MHz	1562-1612 26dB LNA	2.4 / 5.0GHz	Low Profile Puck	Adhesive, Windshield or Dashboard	TNC
7300-0340	Low Profile Antenna, 2G/3G/4G/5G LTE	698-960 / 1710-3800MHz			Low Profile Tube	Bolt, Panel or Bracket Mount	5 m Cable SMA
7300-0342	Low Profile Antenna, 2G/3G/4G/5G LTE	698-960 / 1710-3800MHz			Low Profile Dome	Bolt, Panel or Bracket Mount	5 m Cable FME
7300-0351	Adhesive Mount Antenna, 2G/3G/4G LTE	698-960 / 1710-2700MHz			Paddle	Adhesive, Windshield or Dashboard	3 m Cable SMA
7300-0352	Adhesive Mount Antenna, 2G/3G/4G LTE	698-960 / 1710-2700MHz			Paddle	Adhesive, Windshield or Dashboard	3 m Cable FME
7300-0361	Low Profile Antenna, 2G/3G/4G LTE with NMO Base	698-960 / 1710-2700MHz			Low Profile Tube	NMO Base	NMO
7300-0362	Low Profile Antenna, 2G/3G/4G LTE + WiFi	698-960 / 1710-2700MHz		2.4 / 5.0GHz	Low Profile Dome	Bolt, Panel or Bracket Mount	TNC
7300-0396	GPS/GNSS Power Divider, Connect 2 GPS/GNSS Receivers to a Single Antenna				Low Profile Rectangle		FME (Male)
7300-0401	Low Profile Panel/Roof Mount WiFi Antenna			2.4 / 5.0GHz	Sharkfin	Bolt, Panel or Bracket Mount	SMA
7300-0405	Ultra Low Profile 3X3 MiMo WiFi Antenna 5 m (17') Flame Retardant CS32			2.4-2.5 / 4.9-6GHz.	Ultra Low Profile	Bolt, Panel or Bracket Mount	5 m Cable Rev Pol SMA Plug
7300-0437	Low Profile WiFi Antenna for LTE, M2M and IOT			2.4 / 5.0GHz	Low Profile	Bolt, Panel or Bracket Mount	N (Female)
7300-0494	Easy Fit Adhesive Mount WiFi Antenna			2.4GHz	Paddle	Adhesive, Windshield or Dashboard	2 m Cable FME

**PANORAMA ANTENNA KITS**

PART NUMBER	DESCRIPTION	CELLULAR	WIFI	HOUSING STYLE	MOUNT TYPE	ANTENNA CONNECTION TYPE
7300-0347	Single Cell LTE Antenna W/ TNC Connector <b>Kit Includes:</b> Qty (1) Single Cell LTE Antenna (7300-0342), Qty (1) FME to TNC Connector (7300-0343)	698-960 / 1710-3800MHz		Low Profile Dome	Bolt, Panel or Bracket Mount	5 m Cable FME
7300-0400	Low Profile Panel/Roof Mount Wifi Antenna Kit TNC 2.4/5.5GHz <b>Kit Includes:</b> Qty (1) WiFi Antenna 2.4/5.8ghz Low Prof Fin Ant.3m SMA (7300-0401), Qty (1) Cable Assy SMA (Male) - TNC (Male) (7300-0404)		2.4 / 5.0GHz	Sharkfin	Bolt, Panel or Bracket Mount	SMA
7300-0403	Low Profile Panel/Roof Mount WiFi Antenna Kit SMA 2.4/5.5GHz <b>Kit Includes:</b> Qty (1) WiFi Antenna 2.4/5.8GHz Low Prof Fin Ant.3m SMA (7300-0401), Qty (1) Double Shielded Super Low Loss Cable 3M SMA (Male) to SMA (Male) (7300-0402)		2.4 / 5.0GHz	Sharkfin	Bolt, Panel or Bracket Mount	SMA
7300-0439	Low Profile WiFi Antenna Kit with Cable Kit <b>Kit Includes:</b> Qty (1) Low Profile WiFi Antenna 2.4/5.8GHz N Socket - White Antenna (7300-0437), Qty (1) Double Shield Low Loss Cable Assy N (Male) to SMA (Male) (7300-0438)	3.5GHz	2.4 / 5.0GHz	Low Profile	Bolt, Panel or Bracket Mount	N (Female)
7300-0495	Stand Alone Wifi Antenna Kit <b>Kit Includes:</b> Qty (1) Easy Fit Adhesive Mount Wifi Antenna 2.4GHz 2m FME FTTD (7300-0494), Qty (1) TNC (Male) to FME (Male) Coaxial Adapter (7300-0343)		2.4GHz	Paddle	Adhesive, Windshield or Dashboard	2 m Cable SMA

**PANORAMA ANTENNA CABLES**

PART NUMBER	DESCRIPTION	CABLE LENGTH	TNC PLUG	FME PLUG
7300-0334	Low Loss Comms Cable Assembly, 5 m, FME (Female) to FME (Female)	5 meter	FME (Female)	FME (Female)
7300-0275	Low Loss Comms Cable Assembly, 5 m, FME (Female) to MINI UHF (Motorola)	5 meter	FME (Female)	Mini UHF (Male)
7300-0277	Low Loss Comms Cable Assembly, 5 m, FME (Female) to PL259 (Kenwood)	5 meter	FME (Female)	PL259
7300-0394	Low Loss Comms Cable Assembly, 5 m, FME (Female) to SMA (Male)	5 meter	FME (Female)	SMA (Male)
7300-0304	Low Loss Comms Cable Assembly, 5 m, FME (Female) to TNC (Male)	5 meter	FME (Female)	TNC (Male)
7300-0189	Low Loss Comms Cable Assembly, 5 m, FME (Male) to SMA (Male)	5 meter	FME (Male)	SMA (Male)
7300-0176	Low Loss Comms Cable Assembly, 5 m, FME (Male) to TNC (Male)	5 meter	FME (Male)	TNC (Male)
7300-0438	Double Shield Low Loss Cable, 5 m, N (Male) to SMA (Male)	5 meter	N (Male)	SMA (Male)
7300-0187	Double Shield Low Loss Cable, 5 m, SMA (Male) to SMA (Female)	5 meter	SMA (Male)	SMA (Female)
7300-0175	Double Shield Low Loss Cable, 5 m, TNC (Male) to SMA (Female)	5 meter	TNC (Male)	SMA (Female)
7300-0402	Double Shielded Super Low Loss Cable, 3 m, SMA (Male) to SMA (Male)	3 meter	SMA (Male)	SMA (Male)
7300-0393	Double Shielded Super Low Loss Cable, 5M, SMA (Male) to N (Female)	5 meter	SMA (Male)	N (Female)
7300-0188	Double Shielded Super Low Loss Cable, 5 m, SMA (Male) to Rev Polarity SMA (Male)	5 meter	SMA (Male)	Rev Pol SMA (Male)
7300-0424	Double Shielded Super Low Loss Cable, 5 m, SMA (Male) to SMA (Male)	5 meter	SMA (Male)	SMA (Male)
7300-0404	Double Shielded Super Low Loss Cable, 5 m, SMA (Male) to TNC (Male)	5 meter	SMA (Male)	TNC (Male)
7300-0343	Coaxial Adapter, TNC (Male) to FME (Male)		TNC (Male)	FME (Male)

**PANORAMA ANTENNAS - ANTENNA WHIPS**

PART NUMBER	DESCRIPTION	UHF FREQUENCY	VHF FREQUENCY	7/800MHz FREQUENCY RANGE	LTE FREQUENCIES	MAX POWER	PATTERN	MOUNT TYPE / CONNECTION
7300-0278	VHF & UHF / 7/800 & Cellular Diplexer	782-870 MHz	50-210 MHz	700-2700MHz		100W		FME (Male)
7300-0177	NMO Panel Mount Antenna Base, 5 m, FME (Female)							FME (Female)
7300-0303	UHF 1/4 Wave Whip Antenna	450-470MHz				100W	Omni-Directional	M6
7300-0183	UHF 1/4 Wave Whip Antenna	762-870 MHz				100W	Omni-Directional	M6
7300-0267	UHF Gain Whip Antenna	762-870 MHz				60W	Omni-Directional	M6
7300-0269	UHF 1/4 Wave Whip Antenna	450-520MHz				100W	Omni-Directional	M6
7300-0270	UHF Whip Antenna With Gain	450-470MHz				60W	Omni-Directional	M6
7300-0271	VHF 1/4 Gain Whip Antenna		149-159MHz			100W	Omni-Directional	M6
7300-0292	Flexible VHF 1/4 Wave Whip Antenna		155-174MHz			100W	Omni-Directional	M6
7300-0273	Compact Tri-Band VHF/ UHF/7/800MHz Whip Antenna	450-520MHz	150-160MHz	762-800MHz (806-870MHz Fallback)		60W	Omni-Directional	M6
7300-0274	Compact Tri-Band VHF/ UHF/7/800MHz Whip Antenna	450-520MHz	150-160MHz	806-870MHz		60W	Omni-Directional	M6
7300-0395	Compact Flexible Cellular Whip Antenna				698-960MHz / 1710-2170MHz	60W	Omni-Directional	M6







# CONSOLE SYSTEMS

## MAXIMIZE AND SECURE THE SPACE IN YOUR VEHICLE

---

Gamber-Johnson console boxes make the most out of any vehicle's small space in one, customizable solution. These units assist in the organization of the user's most important devices, so the job can be done safely and effectively.

Our fully welded console box comes assembled and ready to install. All products are thoroughly tested to ensure they function flawlessly in the most rugged environments, and we back them with a Limited Lifetime Warranty - so our customers can stop worrying about their equipment and focus on what matters most.



**1** ACCESS CAMERA ON PHONE



**2** LOCATE AND SCAN QR CODE



**3** CLICK LINK PROVIDED BY QR SCAN



**4** VIEW OUR PRODUCTS ONLINE



**CHEVROLET SILVERADO/GMC SIERRA CONSOLE BOX AND LEG KIT**



7160-1325



7170-0784-05

ITEM NO.	DESCRIPTION	WEIGHT	HEIGHT	WIDTH	DEPTH
7160-1325	Leg Kit	3.2 lbs 1.4 kg	See features	See features	See features
7170-0784-00	<b>Console Kit:</b> Leg Kit (7160-1325) and Console Box (7160-0548)				
7170-0784-01	<b>Console Kit:</b> Leg Kit (7160-1325), Console Box (7160-0548), Cup Holder (7160-0846), and Side Mount Armrest (7110-1013)				
7170-0784-02	<b>Console Kit:</b> Leg Kit (7160-1325), Console Box (7160-0548), and Wire Chase Assembly (7110-1024)				
7170-0784-03	<b>Console Kit:</b> Leg Kit (7160-1325), Console Box (7160-0548), Cup Holder (7160-0846), Side Mount Armrest (7110-1013), and Wire Chase Assembly (7110-1024)				
7170-0784-04	<b>Console Kit:</b> Leg Kit (7160-1325), Console Box (7160-0548), Cup Holder (7160-0846), Side Mount Armrest (7110-1013), Wire Chase Assembly (7110-1024), and Mongoose 9" Locking Slide Arm (7160-0220)				
7170-0784-05	<b>Console Kit:</b> Leg Kit (7160-1325), Console Box (7160-0548), Cup Holder (7160-0846), Side Mount Armrest (7110-1013), and Mongoose 9" Locking Slide Arm (7160-0220)				
7170-0784-06	<b>Console Kit:</b> Leg Kit (7160-1325), Console Box (7160-0548), Cup Holder (7160-0846), Side Mount Armrest (7110-1013), and 6" Locking Slide Arm (7160-0500)				
7170-0784-07	<b>Console Kit:</b> Leg Kit (7160-1325) and Console Box (7160-0548), and Cup Holder (7160-0846)				
	Front Legs		1.5" 3.8 cm	3" 7.6 cm	5" 12.7 cm
	Rear Legs		2.3" 5.7 cm	2" 5.1 cm	6.5" 16.5 cm

**FEATURES**

- Low profile, vehicle specific console box and leg kit for the 2019+ Chevrolet Silverado/GMC Sierra 1500/2020+ Chevrolet Silverado/GMC Sierra 2500HD and 3500HD
- Leg kit easily attaches to the sides of the transmission hump
- Will NOT fit in 2019 Chevrolet Silverado 1500 CLASSIC/GMC Sierra 1500 CLASSIC. For those vehicles please see 7160-0509
- Works with our 23" (58.42 cm) (7160-0086) and 29" (73.66 cm) (7160-0085) top plates only
- Does not work with trucks with OEM center console with shifter

**Vertical Section**

- Vertical Section accommodates 7.5" (19.05 cm) of mounting space

**Horizontal Section**

- Horizontal Section accommodates 7" (17.78 cm) of mounting space including internal cup holder
- Horizontal Section accommodates 11.5" (29.21 cm) of mounting space excluding internal cup holder
- Limited Lifetime Warranty

**2015-2020 FORD F-150 AND 2017+ SUPER DUTY VERTICAL CONSOLE BOX**



ITEM NO.	DESCRIPTION	SEAT CONFIGURATION	WEIGHT	HEIGHT	WIDTH	DEPTH
7160-0875	Vertical Console Box	Bucket	7.0 lbs 3.2 kg	12.7" 32.3 cm	12.0" 30.5 cm	9.8" 24.9 cm

**FEATURES**

- Low-profile console mounts under the dash to existing mounting points in vehicle
- 8" (20.3 cm) of opening space to mount devices in console
- Removable lower trim piece for use with HVAC ducts on transmission hump
- Relocate factory USB/AUX input module and OEM 12 volt power port
- One square knock-out for a switch or other accessory and one knock-out for aftermarket 12 volt power port
- Works with both regular, extended, and quad cab model trucks
- Does not work with vehicles with OEM center console
- 2 faceplates filler panels are included
- Fully welded construction for long-term life span
- Limited Lifetime Warranty

**2017+ F-250-550 SUPER DUTY VEHICLE SPECIFIC CONSOLES**

ITEM NO.	DESCRIPTION	WEIGHT	HEIGHT	WIDTH	DEPTH	LENGTH
7160-1326	Console Box	26 lbs 11.79 kg	16" 40.64 cm	14" 35.56 cm	9.8" 24.9 cm	30" 76.2 cm
7170-0728-00	<b>Console Kit:</b> Console Box (7160-1326), and Cup Holder (7160-0846)					
7170-0728-01	<b>Console Kit:</b> Console Box (7160-1326), and Cup Holder (7160-0846), and External Armrest (7160-0429)					
7170-0728-02	<b>Console Kit:</b> Console Box (7160-1326), and Cup Holder (7160-0846), and Printer Armrest (7160-0430)					
7170-0728-03	<b>Console Kit:</b> Console Box (7160-1326), and Cup Holder (7160-0846), and Side Mount Armrest (7110-1013)					



7160-1326

**FEATURES**

- Wide body, vehicle specific console box, easily installed without use of drill for the 2017+ F-250-550 Super Duty
- Sloped front and horizontal section create a vehicle specific look and feel
- Simple and fast, no-drill install as the console is specific to vehicle using existing mounting points saving you time and money
- Cutouts on passenger, top, back side of console for 12V outlets and other accessories create freedom to locate those items effectively
- Push-button locking storage compartment with one (1) rectangular cutout and one (1) 12V outlet cutout
- Threaded PEMS and studs for various items for quickly mounting various accessories (mic clips and arm rests)
- Ships with filler panel wings assembled

**Vertical Section**

- 8" (20.32cm) of mounting space
- Designed to house full-size devices and accessories
- Three (3) 12V outlet cutouts and three (3) switch cutouts on face of vertical section
- Console ships with vertical plate turned 180° in order to mount full length devices away from driver while still utilizing the 4X4 shifter on the floor

**Horizontal Section**

- 12" (30.48 cm) of mounting space or 7.5" (19.05 cm) of mounting space after internal cup holder
- Designed to house full-size devices and accessories
- Locking pocket designed to hold various items (locking pocket opening dimension: 8" (20.32 cm) H x 4" (10.16 cm) W x 12" (30.48 cm)
- Limited Lifetime Warranty

**2021+ FORD F-150 CONSOLE BOX**

ITEM NO.	DESCRIPTION	WEIGHT	HEIGHT	WIDTH	LENGTH	DEPTH
7160-1626	Wide Body Console Box	38 lbs.	16.5" 41.91 cm	14" 35.56 cm	28.63" 72.72 cm	9.8" 24.9 cm
7170-0882-00	<b>Console Kit:</b> Wide Body Console Box with Cup Holder and Phone Mount					
7170-0882-01	<b>Console Kit:</b> Wide Body Console Box with Cup Holder, Rear Armrest, and Phone Mount					
7170-0882-02	<b>Console Kit:</b> Wide Body Console Box with Cup Holder, Printer Armrest, and Phone Mount					
7170-0882-03	<b>Console Kit:</b> Wide Body Console Box with Cup Holder, Side Armrest, and Phone Mount					
7170-0882-04	<b>Console Kit:</b> Wide Body Console Box with Cup Holder, Rear Armrest, Phone Mount, and Mongoose®- 9" XLE					
7170-0882-05	<b>Console Kit:</b> Wide Body Console Box with Cup Holder, Rear Armrest, Phone Mount, and Mongoose®- 9" Locking Slide Arm with Short Clevis					
7160-1626-01	Wide Body Console Box with Internal Printer Mount					
7170-0883-00	<b>Console Kit:</b> Wide Body Console Box with Internal Printer Mount, Cup Holder, and Phone Mount					
7170-0883-01	<b>Console Kit:</b> Wide Body Console Box with Internal Printer Mount, Rear Armrest, Cup Holder, and Phone Mount					
7170-0883-02	<b>Console Kit:</b> Wide Body Console Box with Internal Printer Mount, Side Armrest, Cup Holder, and Phone Mount					
7170-0883-03	<b>Console Kit:</b> Wide Body Console Box with Internal Printer Mount, Rear Armrest, Cup Holder, Phone Mount, and Mongoose®- 9" XLE					
7170-0883-05	<b>Console Kit:</b> Wide Body Console Box with Internal Printer Mount, Magnetic Phone Holder, Cup Holder, Rear Armrest, and Mongoose®- 9" Locking Slide Arm with Short Clevis					



7160-1626

**FEATURES**

- Installs easily with no drilling required
- Push-button locking side pocket keeps valuables secure while out in the field
- Wide Body design maximizes mounting space between the front seats
- Featuring a removable top plate for easy installation of radios and wire routing
- Vehicle specific design for a secure, custom fit
- Includes 8" (20.32 cm) of angled mounting space and 12" (30.48 cm) of horizontal mounting space
- Limited Lifetime Warranty

**WIDE BODY CONSOLE BOX IN-CONSOLE PRINTER MOUNT**



ITEM NO.	DESCRIPTION	WEIGHT	HEIGHT	WIDTH	LENGTH	DEPTH
7160-1573	In-Console Printer Mount	7.6 lbs 3.45 kg	10.75" 27.31 cm	13.94" 35.41 cm	3.62" 9.19 cm	9.8" 24.9 cm

**FEATURES**

- Installs easily in the 2021+ Ford F-150 and 2021+ Chevrolet Tahoe Console Boxes
- Lockable lid safely secures the Brother PocketJet PJ-600/700 series printers
- Printer and paper can be quickly accessed with the push of a button
- Limited Lifetime Warranty

**WIDE BODY CONSOLE BOXES**



7160-0894

ITEM NO.	PLACEMENT	WEIGHT	HEIGHT	WIDTH	DEPTH
7160-0894	On the 29" console box top plate (7160-0085)	26.4 lbs 12.0 kg	10.9" 27.6 cm	11.8" 30.1 cm	24.8" 62.9 cm
7170-0567-00	<b>Console Kit:</b> Wide Body Console (7160-0894), Internal Cup Holder (7160-0846), And Pocket (7160-0924)				
7170-0567-01	<b>Console Kit:</b> Wide Body Console (7160-0894), Internal Cup Holder (7160-0846), Break-Away Armrest (7160-0524), and Pocket (7160-0924)				
7170-0567-02	<b>Console Kit:</b> Wide Body Console (7160-0894), Internal Cup Holder (7160-0846), Brother Printer Armrest (7160-0430), and Pocket (7160-0924)				
7170-0567-03	<b>Console Kit:</b> Wide Body Console (7160-0894), Internal Cup Holder (7160-0846), Vertical Surface Mount, and Pocket (7160-0924)				
7170-0567-04	<b>Console Kit:</b> Wide Body Console (7160-0894), Internal Cup Holder (7160-0846), Break-Away Armrest (7160-0524), Mongoose Motion Attachment (7160-0220), and Pocket (7160-0924)				
7170-0567-05	<b>Console Kit:</b> Wide Body Console (7160-0894), Internal Cup Holder (7160-0846), and 6-Inch Locking Slide Arm (7160-0500)				

**FEATURES**

- Low profile universal console with a sloped mounting area
  - Designed to work with the top plate and leg kits
  - Two 12 volt plug knockouts located on passenger side wall and 1 knockout for switches, dual USB power ports, battery voltage display, data/mic jack, or USB/AUX input module extension
  - PEMs for mounting mic clip (7120-0723) on both sides
  - Side vented openings for air flow or mounting a speaker inside the console box
  - PEMs on back of the console box for mounting external cup holder (7160-0847) or either armrest (7160-0429) or printer armrest (7160-0430)
  - Front plate of console under the dash area has placement for a power distribution block or a LIND shut-down timer using pre-configured mounting holes
  - Box ships fully assembled (except for accessories)
  - Computer can be mounted offset towards the passenger or on the 3-bolt pattern closer to the driver
  - Fully welded construction for long-term life span
  - 3 faceplates and 3 filler panels included
- Horizontal Section**
- Mounting space length of 11.5" (29.2 cm)
  - Designed to house full sized devices and accessories
  - Additional 2" (5.1 cm) area to accommodate a pocket, two inch faceplates for switches or power ports, or a smaller device
- Vertical Section**
- Accommodates 1 to 2 full sized devices or faceplates, 5" (12.7 cm) of mounting space
  - Two 12 volt plug knockouts located on top passenger side and two knockouts for switches, dual USB power ports, battery voltage display, data/mic jack, or USB/AUX input module extension
  - Limited Lifetime Warranty

**UNIVERSAL WIDE BODY EXTENDED CONSOLE BOX**

ITEM NO.	PLACEMENT	WEIGHT	HEIGHT	WIDTH	DEPTH
7160-1460	Universal Wide Body Extended Console Box	28.12 lb 12.76 kg	10.88" 27.64 cm	11.83" 30.05 cm	27.25" 69.22 cm



**FEATURES**

- Low profile design with extended mounting area
- Side vented openings for air flow or speaker mounting within the console box
- Includes 8" (20.32 cm) of angled mounting space and 11.5" (29.21 cm) of horizontal mounting space
- Limited Lifetime Warranty

**SHORT UNIVERSAL SLOPED FRONT CONSOLE BOX**

ITEM NO.	PLACEMENT	WEIGHT	HEIGHT	WIDTH	DEPTH
7160-0899	On the 29" console box top plate (7160-0085)	15.8 lbs 7.2 kg	10.9" 27.6 cm	17.8" 45.1 cm	8.8" 22.2 cm
7170-0578-00	<b>Console Kit:</b> Universal Short Sloped Console (7160-0899) and Cup Holder (7160-0846)				



7160-0899

**FEATURES**

- Low profile universal console with a sloped mounting area
- Designed to work with the top plate and leg kits
- Computer can be mounted offset towards the passenger or closer to the driver
- Fully welded construction for long-term life span
- 3 faceplates and 3 filler panels included
- Box ships fully assembled (except for accessories)
- Add an armrest that mounts off the top plate

**Horizontal Section:**

- Has 4.5" (11.4 cm) of mounting space for an internal cup holder, accessories, or devices
- Designed to house full sized devices and accessories

**Vertical Section:**

- Accommodates 1 to 2 full sized devices 7.5" (19.1 cm) of mounting space
- PEMs for mounting a mic clip (7120-0723) on both sides
- Knockout for the USB/AUX input module (16648) or dual USB power port (15371) located on the passenger side
- Side vented openings for air flow or mounting a speaker inside the box
- Front plate of console underneath the dash has placement area for a power distribution block or a LIND shut-down timer
- Limited Lifetime Warranty

## UNIVERSAL SLOPED FRONT CONSOLE BOX



7160-0896



7170-0579-05

ITEM NO.	PLACEMENT	WEIGHT	HEIGHT	WIDTH	DEPTH
<b>7160-0896</b>	On the 29" console box top plate (7160-0085)	19.5 lbs 8.85 kg	11" 27.9 cm	8.99" 22.8 cm	24.75" 62.9 cm
<b>7170-0579-00</b>	<b>Console Kit:</b> Sloped Front Console (7160-0896) and Internal Cup Holder (7160-0846)				
<b>7170-0579-01</b>	<b>Console Kit:</b> Sloped Front Console (7160-0896), Internal Cup Holder (7160-0846), and Side Armrest (7110-1013)				
<b>7170-0579-02</b>	<b>Console Kit:</b> Sloped Front Console (7160-0896), Internal Cup Holder (7160-0846), and Printer Armrest (7160-0430)				
<b>7170-0579-04</b>	<b>Console Kit:</b> Sloped Front Console (7160-0896), Internal Cup Holder (7160-0846), Side Armrest (7110-1013), and Mongoose®- 9" Locking Slide Arm (7160-0220)				
<b>7170-0579-05</b>	<b>Console Kit:</b> Sloped Front Console (7160-0896), Internal Cup Holder (7160-0846), Side Armrest (7110-1013), and Mongoose®- 6" Locking Slide Arm (7160-0500)				
<b>7170-0579-06</b>	<b>Console Kit:</b> Sloped Front Console (7160-0896), Internal Cup Holder (7160-0846), Printer Armrest (7160-0430), and Mongoose®- 9" Locking Slide Arm (7160-0220)				

### FEATURES

- Low profile design with sloped front
- Designed to work with top/tunnel plate and leg kits
- Front plate of console (underneath dash) has placement for a power distribution block or Lind shut-down timer using pre-configured mounted holes
- Mounting space for armrests on both back and sides of console box
- 3 faceplates and 3 filler panels included

### Horizontal Section:

- Mounting space of 11.5" (29.21 cm)
- Designed to house full-sized devices and accessories

### Vertical Section:

- 7.5" (19.05 cm) of mounting space to accommodate 1 to 2 full-sized devices
- Two 12 volt plug knockouts located on passenger side
- Knock out for the USB/AUX input module (Item no. 16648) or dual USB power port (item no. 15371) located on passenger side
- Limited Lifetime Warranty

## WORK TRUCK CONSOLE BOX KITS



7170-0125



7170-0125-01

ITEM NO.	PLACEMENT	WEIGHT	HEIGHT	WIDTH	DEPTH
<b>7170-0125</b>	Attaches on the 29" console box top plate (7160-0085)	37 lbs 16.8 kg	11.0" to 13.4" 27.9 to 34 cm	9.23" 23.4 cm	32.06" 81.4 cm
<b>7170-0125-01</b>	Attaches on the 29" console box top plate (7160-0085)	46.3 lbs 21.2 kg	12.4" 31.5 cm	9.5" 24.1 cm	30.9" 78.5 cm

### FEATURES

- Locking storage for hanging standard file folders, supplies, or other devices
- Armrest can be positioned closer to the driver or passenger during installation
- Box attaches to console box top plate
- Sold as a package and there are no substitutions. Includes internal cupholder, break away armrest, and console box top plate
- 3 faceplates and 3 filler panels are included
- Limited Lifetime Warranty



**WORK TRUCK CONSOLE LEG KITS**

ITEM NO.	PLACEMENT	SEAT CONFIGURATION	DRILLING REQUIRED	MOUNTING LOCATIONS
<b>7160-0985</b>	On Top of Transmission Hump (7160-0985)	Bucket	<b>No</b> - Attaches to Brackets used for the Center Seat Option (7160-0985): Ram 1500-5500 (2011+) with Center Seat Leg Kit, 2011-2018 and 2019 Classic	3.18 lbs 1.44 kg (each leg)
<b>7160-0509</b>	On Top of the Transmission Hump	Bucket	<b>No</b> - Attaches to the Existing Studs on top of the Transmission Hump: Chevy Tahoe 2015-2020, Yukon XL 2015-2020, Silverado 2500/3500 2015-2019, GMC Sierra 1500 2015-2018, Sierra 2500/3500 2015-2019	7.2 lbs 3.3 kg
<b>7160-0552</b>	On Top of the Transmission Hump	Bucket	<b>No</b> - Attaches to the Mounting Points on Side of the Transmission Hump: 2015+ Ford Transit	.8 lbs 2.2 kg
<b>7160-0923</b>	On Top of the Transmission Hump	Bucket	<b>No</b> - Attaches to the Existing Studs on top of the Transmission Hump: Chevrolet Express Van (2010+) Chevrolet G-Series Van (2010+)	15 lbs 6.80 kg



7160-0985



7160-0923

**FEATURES**

- Vehicle leg kit allows workstations, storage or console boxes to be mounted between the seats of the vehicle
- Multiple mounting locations on the strut channel for various positions for mounting equipment
- Limited Lifetime Warranty

**29" LONG TOP PLATE**

ITEM NO.	PLACEMENT	SEAT CONFIGURATION	DRILLING REQUIRED	MOUNTING LOCATIONS	WEIGHT	WIDTH	DEPTH
<b>7160-0085</b>	Attaches to any vehicle leg kit	Bucket	<b>No</b> - attaches to pre-drilled holes along side Top Plate	3	12.4 lbs. 5.6 kg	8.00" 20.3 cm	29.0" 73.7 cm



**FEATURES**

- Wider design allows the console box to be off set towards the passenger for added space
- Wider plate adds additional space to mount additional accessories
- Provides three (3) options for computer mount placement (off set towards driver, center or off set towards passenger side)
- Fills up space between the seats giving a cleaner appearance
- Limited Lifetime Warranty



# MOBILE WORKSTATIONS

**BUILD A CUSTOM WORKSTATION TO MEET YOUR FLEET'S NEEDS**

---

Featuring heavy gauge steel construction for long-term durability, workstation boxes are ideal for utility, government, and military vehicles. Several of our boxes contain large locking storage areas for supplies and equipment providing safer organization and an improved use of space. With several locations for mounting devices, radios, lighting controls, and/or accessory power our workstation boxes help you get the job done.



**1** ACCESS CAMERA ON PHONE

**2** LOCATE AND SCAN QR CODE

**3** CLICK LINK PROVIDED BY QR SCAN

**4** VIEW OUR PRODUCTS ONLINE

## SMALL & LARGE WORKSTATION BOXES



7160-0947



7160-0941



7160-0968

ITEM NO.	PLACEMENT	DESCRIPTION	WEIGHT	HEIGHT	WIDTH	DEPTH
<b>7160-0947</b>	Attaches to the floor, between the seats of most vans & trucks	Small workstation box	37.2 lbs 16.9 kg	13.0" 33.0 cm	11.5" 29.2 cm	18.8" 47.8 cm
<b>7160-0941</b>	Attaches to the floor, between the seats of most vans & trucks	Large workstation box	55 lbs 24.9 kg	15.0" 38.1 cm	15.5" 39.4 cm	17.4" 44.2 cm
<b>7160-0968</b>	Attaches to the floor, between the seats of most vans & trucks	Small 9" tall workstation box	25.6 lbs 11.6 kg	9.5" 24.1 cm	12.0" 30.5 cm	16.3" 41.3 cm
<b>7160-0361</b>	Attaches to the floor, between the seats of most vans & trucks	Extra Small Workstation Box	18.55 lbs 8.41 kg	11.5" 29.21 cm	9.5" 24.13 cm	13" 33.02 cm

### FEATURES

- Heavy gauge steel construction for long-term durability
- Contains locking storage for supplies and devices
- Includes on file holder bracket that can be mounted on either wall or inside the box
- Larger handle to allow easy opening or closing of the door
- Mounting holes on the front accommodates computer mounting brackets or platform
- Includes exterior pocket for binder that can be mounted on back or either side
- Wire access cutouts in box for passing wires into or out of it
- Clip board spring for securing notepads or papers to the top of the workstation box
- Mounting point on the side of the box for legs or Chevy van leg kit
- Can be used with any of the MCS leg kit and top plate
- Limited Lifetime Warranty

## WORKSTATION CONSOLE BOXES



7160-0970

ITEM NO.	PLACEMENT	DESCRIPTION	WEIGHT	HEIGHT	WIDTH	DEPTH
<b>7160-0970</b>	Mounts directly to the front of the small workstation box	Workstation Console Box with 3" and 5" Mounting Openings	19.5 lbs 8.9 kg	10.9" 27.6 cm	11.5" 29.2 cm	15.5" 39.5 cm
<b>7160-0911</b>	Mounts directly to the front of the any size workstation box	Workstation Console Box	19.5 lbs 8.85 kg	10.9" 27.6 cm	11.5" 29.2 cm	15.5" 39.5 cm

### FEATURES

- Low profile, universal console with sloped front mounting area
- Designed to work with top plate/tunnel plate and leg kits
- PEM's for mounting mic clip (7120-0723) or Magnetic Mic (17040) on both sides
- Access door on passenger side of console for accessing fuse power distribution block tray, like power distribution block with negative bus (7160-0313)
- Side vented openings for air flow or mounting a speaker inside the console box
- Front plate of console (underneath dash area) has placement for a power distribution block or LIND shut-down timer using pre-configured mounted holes
- Computer can be center mounted in two locations: off-set towards the passenger on the 3-bolt hole pattern closer to the driver for easy articulation
- Cutouts located on outside area of the console box to pass cables through for use with small workstation (no legs)
- Fully welded construction for long term product life span
- Box ships fully assembled with 3 faceplates and 3 filler panels. No accessories included.

### Horizontal Section

- Has a 3" (7.62 cm) mounting opening for device like control heads or device less than 4.5" (11.43 cm) in length
- Two knockouts for switches, dual USB power ports, battery voltage display, data/mic jack or USB/AUX input module extension

### Vertical Section

- Has 5" (12.7 cm) of mounting space to accommodate 1 to 2 full-sized devices or faceplates.
- Two 12-volt plug knockouts, located on passenger side and two knockouts for switches, dual USB power ports, battery voltage display, data/mic jack or USB/AUX input module extension
- Limited Lifetime Warranty

**WORKSTATION KITS WITH MOUNTING LEGS**

ITEM NO.	PLACEMENT	DESCRIPTION	WEIGHT	HEIGHT	WIDTH	DEPTH
7170-0563-00	Attaches to the floor, between the seats of most vans and trucks	Small workstation box with mounting legs	43.1 lbs 19.5 kg	15.0" 38.1 cm	11.5" 29.2 cm	18.0" 45.7 cm
7170-0581-00	Attaches to the floor, between the seats of most vans and trucks	Large workstation with mounting legs	65 lbs 29.5 kg	16.0" 40.6 cm	16.0" 40.6 cm	19.0" 48.3cm



7170-0581-00



7170-0563-00

**FEATURES**

- Contains locking storage for supplies and devices
- Includes one file folder bracket that can be mounted on either wall on the inside on the box
- Larger handle for easier opening and closing of the door
- Mounting holes on the front accommodates computer mounting brackets or platform
- Includes exterior pocket for binder that can be mounted on back or either side
- Wire access cutouts in box for passing wires into or out of it
- Clip board spring secures notepad or papers to the top of the workstation box
- Mounting point on the side of the box for legs or Chevy van leg kit
- Mounting slots in bottom of the box for mounting to top plate or the Freightliner and the International truck leg kits
- Can be used with any of the workstation leg kits or a leg kit and top plate
- Limited Lifetime Warranty

**WORKSTATION KIT WITH MOUNTING LEGS AND VERTICAL SURFACE MOUNT**

ITEM NO.	PLACEMENT	DESCRIPTION	WEIGHT	HEIGHT	WIDTH	DEPTH
7170-0563-01	Attaches to the floor, between the seats of most vans and trucks	Small workstation with mounting legs and vertical surface mount	45.5 lbs 7.0 kg	15.0" 38.1 cm	11.5" 29.2 cm	19.2" 48.8 cm
7170-0581-01	Attaches to the floor, between the seats of most vans and trucks	Large workstation with mounting legs and vertical surface mount	65 lbs 29.5 kg	16.0" 40.6 cm	16.0" 40.6 cm	19.0" 48.3 cm



7170-0563-01



7170-0581-01

**FEATURES**

- Contains locking storage for supplies and devices
- Includes one file folder bracket that can be mounted on either wall on the inside of the box
- Larger handle to allow easy opening or closing of door
- Mounting holes on the front accommodates computer mounting brackets or platform
- Vertical surface mount on front of the workstation for mounting computers or tablets with Gamber-Johnson upper pole and motion device
- Includes exterior pocket for binder that can be mounted on back or either side
- Wire access cutouts in box for passing wires into or out of it
- Clip board spring secures notepads or papers to the top of the workstation box
- Mounting point on the side of box for legs or Chevy van leg kit
- Mounting slots in bottom of the box for mounting to top plate or the Freightliner and International truck leg kits
- Can be used with any of the workstation leg kits or a leg kit and top plate
- Limited Lifetime Warranty

## WORKSTATION WITH MOUNTING LEGS AND COMPUTER PLATFORM



7170-0563-02



7170-0581-02

ITEM NO.	PLACEMENT	DESCRIPTION	WEIGHT	HEIGHT	WIDTH	DEPTH
<b>7170-0563-02</b>	Attaches to the floor, between the seats of most vans and trucks	Small workstation with mounting legs and computer platform	49.6 lbs 22.5 kg	15.0" 38.1 cm	11.5" 29.2 cm	26.8" 68.1 cm
<b>7170-0581-02</b>	Attaches to the floor, between the seats of most vans and trucks	Large workstation with mounting legs and computer platform	70 lbs 31.8 kg	16.0" 40.6 cm	16.0" 40.6 cm	25.9" 65.8 cm

### FEATURES

- Locking storage for supplies and devices
- Contains locking storage for supplies and devices
- Includes one file folder bracket that can be mounted on either wall on the inside of the box
- Large handle for easy opening and closing of the door
- Mounting holes on the front accommodates computer mounting brackets or platform
- Computer mounting platform on front of workstation for mounting computers or tablets
- Includes exterior pocket for binder that can be mounted on back or either side
- Wire access cutouts in box for passing wires into or out of it
- Clip board spring for securing notepads or papers to the top of the workstation box
- Mounting point on the side of box for legs or Chevy van leg kit
- Mounting slots in bottom of the box for mounting to top plate or the Freightliner and International truck leg kits
- Can be used with any of the workstation leg kits or a leg kit and top plate
- Limited Lifetime Warranty

## WORKSTATION KIT WITH MOUNTING LEGS AND RADIO PLATFORM



7170-0563-03



7170-0581-03

ITEM NO.	PLACEMENT	DESCRIPTION	WEIGHT	HEIGHT	WIDTH	DEPTH
<b>7170-0581-03</b>	Attaches to the floor, between the seats of most vans & trucks	Large Workstation	78 lbs 35.4 kg	18.6" 47.2 cm	16.0" 40.6 cm	30.3" 77.0 cm
<b>7170-0563-03</b>	Attaches to the floor, between the seats of most vans & trucks	Small Workstation	59.7 lbs 27.1 kg	17.3" 43.9 cm	11.5" 9.2 cm	30.9" 78.5 cm

### FEATURES

- Contains locking storage for supplies and devices
- Includes one file folder bracket that can be mounted on either wall on the inside on the box
- Larger handle for easier opening and closing of the door
- Mounting holes on the front accommodates computer mounting brackets or platform
- Includes exterior pocket for binder that can be mounted on back or either side
- Radio platform on front for mounting computers or tablets, radios, light controllers, and switch or DC power outlets
- Wire access cutouts in box for passing wires into or out of it
- Clip board spring secures notepad or papers to the top of the workstation box
- Mounting point on the side of the box for legs or Chevy van leg kit
- Mounting slots in bottom of the box for mounting to top plate or the Freightliner and the International truck leg kits
- Can be used with any of the workstation leg kits or a leg kit and top plate
- Limited Lifetime Warranty

**WORKSTATION KIT WITH LONG TOP PLATE, CONSOLE BOX, AND DUAL ARMREST**

ITEM NO.	PLACEMENT	DESCRIPTION	WEIGHT	HEIGHT	WIDTH	DEPTH
<b>7170-0563-04</b>	Attaches to the floor, between the seats of most vans and trucks	Small workstation box with mounting legs	76.6 lbs 34.8 kg	12.1" 30.7 cm	11.5" 29.2 cm	34.3" 87.1 cm
<b>7170-0581-04</b>	Attaches to the floor, between the seats of most vans and trucks	Large workstation with mounting legs	88.5 lbs 40.1 kg	16.0" 40.6 cm	16.0" 40.6 cm	33.0" 83.8 cm



7170-0563-04



7170-0581-04

**FEATURES**

- Contains locking storage for supplies and devices
- Includes one file folder bracket that can be mounted on either wall on the inside on the box
- Larger handle for easier opening and closing of the door
- Mounting holes on the front accommodates computer mounting brackets or platform
- Mounting ledge for mounting off the front of the workstation for a small console box
- Workstation console box provides for radio, safety light controller, and computer mounting along with switches, DC power ports, and dual cup holders
- Includes exterior pocket for binder that can be mounted on back or either side
- Radio platform on front for mounting computers or tablets, radios, light controllers, and switch or DC power outlets
- Wire access cutouts in box for passing wires into or out of it
- Clip board spring secures notepad or papers to the top of the workstation box
- Mounting point on the side of the box for legs or Chevy van leg kit
- Mounting slots in bottom of the box for mounting to top plate or the Freightliner and the International truck leg kits
- Can be used with any of the workstation leg kits or a leg kit and top plate
- Limited Lifetime Warranty

## VEHICLE LEG KIT



7160-0403



7160-0545

ITEM NO.	PLACEMENT	SEAT CONFIGURATION	DRILLING REQUIRED	MOUNTING LOCATIONS	WEIGHT	HEIGHT	WIDTH	DEPTH
<b>7160-0403</b>	Attaches to in-board driver and passenger side seat studs	Bucket	<b>No</b> - attaches to seat studs: International 4300/7300 Work Truck (2011-2013)	3	24.0 lbs 10.9 kg	2.75" 7 cm	34.5" 87.6 cm	18.75" 57.6 cm
<b>7160-0545</b>	Attaches to in-board driver and passenger side seat studs	Bucket	<b>No</b> - attaches to seat studs: Freightliner M2 106 (2012+) Freightliner M2 112 (2012+)	2	19.6 lbs 8.9 kg	7.11" 18.1 cm	33.44" 84.9 cm	19.30" 49 cm

### FEATURES

- Vehicle leg kit allows workstations, storage or console boxes to be mounted between the seats of the vehicle
- Multiple mounting locations on the strut channel for various positions for mounting equipment
- Compatible with air ride seats
- Limited Lifetime Warranty

## 29" LONG TOP PLATE



ITEM NO.	PLACEMENT	SEAT CONFIGURATION	DRILLING REQUIRED	MOUNTING LOCATIONS	WEIGHT	WIDTH	DEPTH
<b>7160-0085</b>	Attaches to any vehicle leg kit	Bucket	<b>No</b> - attaches to pre-drilled holes along side Top Plate	3	12.4 lbs. 5.6 kg	8.00" 20.3 cm	29.0" 73.7 cm

### FEATURES

- Wider design allows the console box to be off set towards the passenger for added space
- Wider plate adds additional space to mount additional accessories
- Provides three (3) options for computer mount placement (off set towards driver, center or off set towards passenger side)
- Fills up space between the seats giving a cleaner appearance
- Limited Lifetime Warranty

## WORKSTATION 4-INCH LED LIGHT STRIP ASSEMBLY



7160-0978

ITEM NO.	PLACEMENT	WEIGHT	HEIGHT	WIDTH	DEPTH
<b>7160-0978</b>	Attaches to the console box top plate	0.3 lbs 0.1 kg	0.4" 1.0 cm	0.6" 1.4 cm	4.0" 10.2 cm

### FEATURES

- LED light can be wired for red or white light
- Comes with ON-OFF switch and has LED in it for ON indication if desired
- Assembly comes with connectors for the switch and connectors for any wire extension need
- Three leads, 9" (22.9 cm) long, from LED for hooking up power through supplied switch:
  - Ground: black wire
  - White light: white wire
  - Red light: red wire
- New redesigned workstation boxes have mounting built in for the LED light strip and cut-outs
- Old style workstation boxes do not have mounting for LED light or switch - installer will have to mount in their own
- LED and switch has a 90 Day Warranty
- Limited Lifetime Warranty

## REMOVABLE INTERIOR TRAY FOR SMALL WORKSTATION



7160-0986

ITEM NO.	PLACEMENT	WEIGHT	HEIGHT	WIDTH	DEPTH
<b>7160-0986</b>	Attaches to the inside of the small workstation box	3.3 lbs 1.5 kg	1.9" 4.8 cm	10.5" 26.7 cm	5.6" 14.3 cm

### FEATURES

- Black powder coat finish on metal bracket
- Heavy gauge steel construction for long-term durability
- Brackets mount on the inside wall of small workstation boxes (new workstation boxes have pre-drilled holes, old boxes will have to be field drilled)
- Tray secures to mounting brackets with supplied hardware
- Tray has handle to be lifted out of box
- Limited Lifetime Warranty



**RADIO PLATFORMS**

ITEM NO.	PLACEMENT	DESCRIPTION	WEIGHT	HEIGHT	WIDTH	DEPTH
7160-1582	Mounts directly to the front of the small workstation box	Small Workstation Radio Platform with Cup Holder	16.25 lbs 7.37 kg	13.63" 34.62 cm	12" 30.48 cm	12.5" 31.75 cm
7160-1598	Mounts directly to the front of the 9-inch workstation box	9" Workstation (4WD Shifter) Radio Platform	14.25 lbs 6.46 kg	11.5" 29.21 cm	12" 30.48 cm	12.5" 31.75 cm
7160-1598-01	Mounts directly to the front of the 9-inch workstation box	9" Workstation Radio Platform	14.25 lbs 6.46 kg	11.5" 29.21 cm	12" 30.48 cm	12.5" 31.75 cm
7160-1598-02	Mounts directly to the front of the 9-inch workstation box	9" Workstation (4WD Shifter) Radio Platform with Cup Holder	14.25 lbs 6.46 kg	11.5" 29.21 cm	12" 30.48 cm	12.5" 31.75 cm
7160-1598-03	Mounts directly to the front of the 9-inch workstation box	9" Workstation Radio Platform with Cup Holder	14.25 lbs 6.46 kg	11.5" 29.21 cm	12" 30.48 cm	12.5" 31.75 cm
7160-1597	Mounts directly to the front of the large workstation box	Large Workstation Radio Platform with Cup Holder	18 lbs 8.16 kg	13.63" 34.62 cm	14.8" 37.59 cm	12.5" 31.75 cm



7160-1582



7160-1598-02



7160-1597

**FEATURES**

- 6" (15.24 cm) for radio or other device mounting area
- Computer mounting off the top of the radio platform via the 3-bolt hole pattern
- Removable single up and pen holder for easy cleaning (7160-0966 and 7160-0967-02 only)
- One knockout for switches or other accessories like USB charging or battery voltage monitoring
- Grill pattern on each side of the platform for mounting a speaker behind
- Mounting point on both sides for a standard mic clip (7120-0723) or Magnetic Mic (17040)
- Limited Lifetime Warranty

**COMPUTER PLATFORMS**

ITEM NO.	PLACEMENT	DESCRIPTION	WEIGHT	HEIGHT	WIDTH	DEPTH
7160-0964	Mounts directly to the front of the small workstation box	Small workstation computer platform	6.5 lbs 2.9 kg	9.4" 23.9 cm	11.5" 29.2 cm	8.8" 22.4 cm
7160-0963	Mounts directly to the front of the large workstation box	Large workstation computer platform	8.0 lbs 3.6 kg	11.4" 29.0 cm	15.0" 38.1 cm	8.5" 21.6 cm



7160-0964



7160-0963

**FEATURES**

- Three mounting positions via the 3-bolt hole pattern for motion devices
- Two mounting positions on either side of the platform for a short pole via the 4-bolt holes
- Limited Lifetime Warranty

**WORKSTATION ARMRESTS**

ITEM NO.	DESCRIPTION	WEIGHT	HEIGHT	WIDTH	LENGTH
7160-0893	Armrest for Small Workstation Box	1.4 lbs 0.2 kg	1.9" 4.8 cm	3.3" 8.3 cm	11.0" 27.9 cm
7160-1572	Adjustable Height Armrest	1.71 lbs .78 kg	3.11" (7.9 cm) - 4.01" (10.19 cm)	3.25" 8.26 cm	11" 27.94 cm



7160-0893



7160-1572

**FEATURES**

- Sleek padded armrest for comfort
- Sturdy for additional support
- Black powder coat finish on a metal bracket and heavy gauge steel construction for long-term durability
- Limited Lifetime Warranty

**WORKSTATION CONSOLE BOX SHELF**

ITEM NO.	PLACEMENT	WEIGHT	HEIGHT	WIDTH	DEPTH
7160-0920	Mounts to the front of the small console box (7160-0899)	7.0 lbs 3.2 kg	5.9" 15.0 cm	14.3" 36.3 cm	14.2" 36.1 cm



**FEATURES**

- Black powder coat finish for maximum corrosion resistance
- Heavy gauge steel construction for long-term durability
- Designed to Work with the Large Workstation only
- Bolts on to the front of the using PEM's
- Works on smaller console box (7160-0899)
- Limited Lifetime Warranty



# PEDESTAL SYSTEMS

## SPACE SAVING MOUNTING SOLUTIONS FOR YOUR VEHICLE

---

Gamber-Johnson offers a full line of pedestal mounting hardware for vehicles as a rugged, space-saving solution. The pedestal system is composed of three parts: a vehicle base, a lower tube that attaches to the base, and an upper pole that acts as a platform to mount the device or a motion attachment. Accessories can also be added to the pedestal system - such as a support brace or rack-to-post platform - making it more robust.

Pedestal systems are an ideal option for vans and trucks that have small console areas, which do not allow adequate space for mounting. With an innovative design and sturdy construction, these products offer maximum reliability, but save on space.



**1** ACCESS  
CAMERA  
ON PHONE



**2** LOCATE  
AND SCAN  
QR CODE



**3** CLICK LINK  
PROVIDED  
BY QR SCAN



**4** VIEW OUR  
PRODUCTS  
ONLINE



**2019+ CHEVROLET SILVERADO 1500/ 2019+ GMC SIERRA 1500 (NEW BODY STYLE) /2021+ CHEVROLET TAHOE VEHICLE BASE**



7160-1332



7170-0783-03

ITEM NO.	PLACEMENT	DRILLING REQUIRED	RECOMMENDED SOLUTION	WEIGHT	HEIGHT	WIDTH	LENGTH
7160-1332	Vehicle Base	No	Lower Tube: DS-LOWER-9 Upper Pole: 7160-0178 Support Brace: 7160-0230	10.1 lbs 4.58 kg	8.3" 21 cm	8.5" 21.6 cm	22.5" 57.2 cm
7170-0783-01	<b>Pedestal Kit:</b> Vehicle Base (7160-1332), the Recommended Pole Solution as Stated Above, and the Mongoose 9" Locking Slide Arm (7160-0220)						
7170-0783-02	<b>Pedestal Kit:</b> Vehicle Base (7160-1332), the Recommended Pole Solution as Stated Above, and the Mongoose 9" Locking Slide Arm with Short Clevis (7160-0928)						
7170-0783-03	<b>Pedestal Kit:</b> Vehicle Base (7160-1332), the Recommended Pole Solution as Stated Above, and the Mongoose XE 9" Motion Attachment (7160-1116-09)						
7170-0783-04	<b>Pedestal Kit:</b> Vehicle Base (7160-1332), the Recommended Pole Solution as Stated Above, and the Mongoose XLE 9" Motion Attachment (7160-1216-09)						

**FEATURES**

- Vehicle specific pedestal base and kits for the 2019+ Chevrolet Silverado 1500 / 2019+ GMC Sierra 1500 (New Body Style) /2021+ Chevrolet Tahoe
- Attaches to the passenger side seat using the front seat bolts under the seat rails so drilling is not required
- Angled step (included with base) can adjust to help position the pole system closer towards the console
- For extra stability a support brace (7160-0230) is strongly recommended
- Limited seat movement forward
- Will NOT fit in 2019 Chevrolet Silverado 1500 CLASSIC/GMC Sierra 1500 CLASSIC. See product 7160-0510
- Limited Lifetime Warranty

**2010+ CHEVROLET EXPRESS AND GMC SAVANNA VAN VEHICLE BASE**



7160-0248

ITEM NO.	PLACEMENT	SEAT CONFIGURATION	DRILLING REQUIRED	RECOMMENDED SOLUTION	WEIGHT	HEIGHT	WIDTH	DEPTH
7160-0248	Passenger Side Inner Front and Back Seat Studs	Bucket	<b>No</b> - Attaches to Seat Studs: Chevrolet/GMC G-Series Van (2010+) Chevrolet Express Van (2010+) GMC Savana Van (2010+)	Lower Tube: Included with Base Upper Pole: 7160-0178 Motion Attachment: 7160-0220 <i>Motion attachment and poles ordered separately</i>	8.1 lbs 3.7 kg	19.85" 50.4 cm	15.0" 38.1 cm	9.31" 23.6 cm
7170-0140	<b>Pedestal Kit:</b> Vehicle Base and the Recommended Pole Solution as Stated Above. No Substitutions. For More Detailed Information Please Visit our Website.							

**FEATURES**

- Won't interfere with passenger leg space
- Bracket mounted to pole gusset allows for additional attachment to seat frame
- Base works with most existing work boxes
- Limited Lifetime Warranty

**2017+ CHEVROLET BOLT VEHICLE BASE**



7160-1541

ITEM NO.	DESCRIPTION	WEIGHT	HEIGHT	WIDTH	DEPTH
7160-1541	2017+ Chevrolet Bolt Vehicle Base	7 lbs 3.18 kg	7.5" 19.25 cm	18.125" 46.04 cm	8.46" 21.49 cm
7170-0913-00	<b>Pedestal Kit:</b> Vehicle Base (7160-1541), Lower Pole (DS-LOWER-9), Upper Pole (7160-0178), and Pole Brace (7160-0230)				
7170-0913-01	<b>Pedestal Kit:</b> Vehicle Base (7160-1541), Lower Pole (DS-LOWER-9), Upper Pole (7160-0178), Pole Brace (7160-0230), and the Mongoose 9" Locking Slide Arm with Short Clevis (7160-0928)				
7170-0913-02	<b>Pedestal Kit:</b> Vehicle Base (7160-1541), Lower Pole (DS-LOWER-9), Upper Pole (7160-0178), Pole Brace (7160-0230), and the Mongoose 9" XE (7160-1116-09)				
7170-0913-03	<b>Pedestal Kit:</b> Vehicle Base (7160-1541), Lower Pole (DS-LOWER-9), Upper Pole (7160-0178), Pole Brace (7160-0230), and the Mongoose 9" XLE (7160-1216-09)				

**FEATURES**

- Installs in minutes with no drilling required
- Angled step moves pole away from passenger leg space
- Will not interfere with levers or factory installed consoles
- Limited Lifetime Warranty

**CHEVY SILVERADO/TAHOE/SUBURBAN/YUKON/YUKON XL, GMC SIERRA 1500/2500/3500/HD**

ITEM NO.	PLACEMENT	SEAT CONFIGURATION	DRILLING REQUIRED	RECOMMENDED SOLUTION	WEIGHT	HEIGHT	WIDTH	DEPTH
<b>7160-0510</b>	Attaches to Inboard and Outboard Passenger Side Seat Hooks	Bucket/ Split Bench	<b>No</b> - Attaches to Seat Hooks: GM Silverado/ Sierra 1500 (2014-2018) GM Silverado/ Sierra 2500/3500 HD (2015-2019) GM Tahoe/Yukon (2015-2020) GM Silverado 4500/5500/6500 (2018+)	Lower Tube: DS-LOWER-9 Upper Pole: 7160-0178 Support Brace: 7160-0230 Motion Attachment: 7160-0220 <i>Motion attachment and poles ordered separately</i>	13.5 lbs 6.1 kg	7.2" 18.3 cm	20.7" 52.6 cm	15.4" 39.1 cm



7160-0510



7170-0214

**7170-0214 Pedestal Kit:** Vehicle Base and the Recommended Pole Solution as Stated Above. No Substitutions. For More Detailed Information Please Visit our Website.

**FEATURES**

- Will not interfere with levers or factory installed console
- One offset universal mounting step (DS-STEP) is already included with this vehicle base. However, additional offset universal mounting steps can be ordered to stack on top of each other if needed.
- For extra stability a support brace (7160-0230) is recommended
- Limited Lifetime Warranty

*Note:* - Rearward travel of the passenger seat is not affected, however there is limited forward seat travel

- Will not work with Chevrolet 3500 with PTO, the recommended base is 7160-0185

**2015+ CHEVY COLORADO AND GMC CANYON VEHICLE BASE**

ITEM NO.	PLACEMENT	SEAT CONFIGURATION	DRILLING REQUIRED	RECOMMENDED SOLUTION	WEIGHT	HEIGHT	WIDTH	DEPTH
<b>7160-0556</b>	Attaches to Inboard and Outboard Passenger Side Seat Hooks	Bucket	<b>No</b> - Attaches to Seat Hooks: Chevrolet Colorado (2015+) Gmc Canyon (2015+)	Lower Tube: DS-LOWER-9 Upper Pole: 7160-0178 Support Brace: 7160-0230 Motion Attachment: 7160-0500 <i>Motion attachment and poles ordered separately</i>	12.68 lbs 5.7 kg	6.88" 17.5 cm	18.44" 46.8 cm	13.66" 34.7 cm



**FEATURES**

- Installs in minutes with no drilling required
- Angled step moves pole away from passenger leg space
- Will not interfere with levers or factory installed consoles
- One offset universal mounting step (DS-STEP) is already included with this vehicle base. However, additional offset universal mounting steps can be ordered to stack on top of each other if needed
- Limited Lifetime Warranty

**DODGE RAM AND STERLING BULLET VEHICLE BASE**



7160-0182

ITEM NO.	PLACEMENT	SEAT CONFIGURATION	DRILLING REQUIRED	RECOMMENDED SOLUTION	WEIGHT	HEIGHT	WIDTH	DEPTH
7160-0182	Passenger Side on the Floor, Under Seat	Bucket/Bench	<b>No</b> - Attaches to Seat Studs: Dodge Ram 1500-5500 (2002-2019) Classic Body	Lower Tube: DS-LOWER-7 Upper Pole: 7160-0178 Support Brace: 7160-0230 Motion Attachment: 7160-0220 <i>Motion attachment and poles ordered separately</i>	4.1 lbs 1.9 kg	3.58" 9.1 cm	18.25" 46.4 cm	5.08" 12.9 cm
7170-0136	<b>Pedestal Kit:</b> Vehicle base and the recommended pole solution as stated above. No substitutions. For more detailed information please visit our website.							
<p><b>FEATURES</b></p> <ul style="list-style-type: none"> <li>- Compatible with the 2002-2018 Dodge Ram 1500, 2019+ Dodge Ram 1500 (Classic Body Style), 2002+ Dodge Ram 2500/3500/4500/5500, and 2007-2009 Sterling Bullet</li> <li>- Will not interfere with levers or factory installed consoles</li> <li>- An offset universal mounting step (DS-STEP) maybe ordered separately to move the pole away from passenger leg space</li> <li>- For extra stability a support brace (7160-0230) is recommended</li> <li>- Limited Lifetime Warranty</li> </ul> <p><small>Note: 1) If your Dodge Ram has a factory installed console and/or manual shift on the floor, the recommended pole solution is DS-LOWER-13, QADJ-UPPER-M, 7160-0230 and 7160-0284. That solution is not available in a kit. 2) If your Sterling Bullet has a factory installed console and/or manual shift on the floor, the recommended pole solution is DS-LOWER-9, QADJ-UPPER-L, 7160-0230 and 7160-0750 (CLEVIS). That solution is not available in a kit.</small></p>								

**2019+ NEW BODY STYLE RAM 1500 TRANSMISSION HUMP BASE**



7160-1382

ITEM NO.	PLACEMENT	DRILLING REQUIRED	RECOMMENDED SOLUTION	WEIGHT	HEIGHT	WIDTH	LENGTH	
7160-1382	Vehicle Base	No	Lower Tube: DS-LOWER-9 Upper Pole: 7160-0178 Support Brace: 7160-0230	8.75 lbs 3.97 kg	4.00" 10.16 cm	5.00" 12.70 cm	16.50" 41.91 cm	
7170-0771	<b>Pedestal Kit:</b> Vehicle Base (7160-1382), the Recommended Pole Solution as Stated Above, and the RAM 1500-5500 Support Brace Bracket (7160-1391)							
<p><b>FEATURES</b></p> <ul style="list-style-type: none"> <li>- Easy to install, vehicle specific transmission hump base and kit for the 2019+ New Body Style RAM 1500</li> <li>- Simple design sits on top of mounting legs of center seat using the OEM hardware</li> <li>- Spacers to go in-between the transmission hump base and OEM legs are included with the base</li> <li>- A metal covering mounts underneath the base providing coverage of exposed vehicle metal and helps keeps small items from falling under OEM carpet</li> <li>- An offset riser is included to help with positioning your mount to the desired location</li> <li>- Three (3) sets of mounting holes to place the lower pole</li> <li>- Limited Lifetime Warranty</li> </ul>								

**2019+ NEW BODY STYLE RAM 1500 VEHICLE BASE**



7160-1324



7170-0770

ITEM NO.	PLACEMENT	DRILLING REQUIRED	RECOMMENDED SOLUTION	WEIGHT	HEIGHT	WIDTH	LENGTH	
7160-1324	Vehicle Base	No	Lower Tube: DS-LOWER-13 Upper Pole: 7160-0178 Support Brace: 7160-0230	7.8 lbs 3.54 kg	6.63" 16.83 cm	6.5" 16.51 cm	19.75" 50.165 cm	
7170-0770	<b>Pedestal Kit:</b> Vehicle base (7160-1382), the Recommended Pole Solution as Stated Above, the RAM 1500-5500 Support Brace Bracket (7160-1391), and the Mongoose 9" Locking Slide Arm with Short Clevis (7160-0928)							
<p><b>FEATURES</b></p> <ul style="list-style-type: none"> <li>- Designed specifically for the 2019+ New Body Style RAM 1500 for a secure, custom fit</li> <li>- Attaches to the passenger side seat using the front seat bolts under the seat rails</li> <li>- Angled step (included with base) can adjust to help position the pole system closer towards the console</li> <li>- For extra stability a support brace (7160-0230) is strongly recommended</li> <li>- Pedestal system does impact forward motion of passenger seat</li> <li>- Limited Lifetime Warranty</li> </ul>								

**2015+ RAM PROMASTER CITY VEHICLE BASE**

ITEM NO.	PLACEMENT	SEAT CONFIGURATION	DRILLING REQUIRED	RECOMMENDED POLE SOLUTION	WEIGHT	HEIGHT	WIDTH	DEPTH
7160-0553	Attaches to Inboard and Outboard Passenger Side Seat Studs	Bucket	No - Attaches to Seat Studs: Ram ProMaster City (2015+)	Lower Tube: DS-LOWER-9 Upper Pole: 7160-0178 Support Brace: 7160-0230 Motion Attachment: 7160-0500 <i>Motion attachment and poles ordered separately</i>	11.2 lbs 5.1 kg	8.18" 20.8 cm	19.0" 48.3 cm	10.55" 26.8 cm
7170-0500	<b>Pedestal Kit:</b> Vehicle Base and the Recommended Pole Solution as Stated Above. No Substitutions. For More Detailed Information Please Visit our Website.							



7170-0500

**FEATURES**

- Installs in minutes with no drilling required
- Angled step moves pole away from passenger leg space
- Will not interfere with levers or factory installed consoles
- One offset universal mounting step (DS-STEP) is already included with this vehicle base. However, additional offset universal mounting steps can be ordered to stack on top of each other if needed
- Multiple mounting slots allow for flexible positioning of the offset universal mounting step
- Limited Lifetime Warranty

**2014+ RAM PROMASTER VEHICLE BASE**

ITEM NO.	PLACEMENT	SEAT CONFIGURATION	DRILLING REQUIRED	RECOMMENDED POLE SOLUTION	WEIGHT	HEIGHT	WIDTH	DEPTH
7160-0527	Attaches to Inboard and Outboard Passenger Side Seat Studs	Bucket/ Split Bench	No - Attaches to Seat Studs: Ram ProMaster (2014+)	Lower Tube: DS-LOWER-7 Upper Pole: 7160-0178 Support Brace: 7160-0231 Motion Attachment: 7160-0500 <i>Motion attachment and poles ordered separately</i>	7.1 lbs 3.2 kg	5.1" 13 cm	22.5" 57.2 cm	4.8" 12.2 cm
7170-0239	<b>Pedestal Kit:</b> Vehicle Base and the Recommended Pole Solution as Stated Above. No Substitutions. For More Detailed Information Please Visit our Website.							



7170-0239

**FEATURES**

- One offset universal mounting step (DS-STEP) is already included with this vehicle base. However, additional offset universal mounting steps can be ordered to stack on top of each other if needed
- For extra stability a support brace (7160-0230) is recommended
- Limited Lifetime Warranty

**2019+ FORD RANGER VEHICLE BASE**



7160-1379



7170-0782-01

ITEM NO.	PLACEMENT	DRILLING REQUIRED	RECOMMENDED SOLUTION	WEIGHT	HEIGHT	WIDTH	LENGTH
7160-1379	Vehicle Base	No	Lower Tube: DS-LOWER-9 Upper Pole: 7160-0178 Support Brace: 7160-0230	8 lbs 3.63 kg	4" 10.16 cm	12.2" 30.98 cm	16.22" 41.20 cm
7170-0782-01	<b>Pedestal Kit:</b> Vehicle Base (7160-1379), the Recommended Solution as Stated Above, and the 6" Locking Slide Arm (7160-0500)						
7170-0782-02	<b>Pedestal Kit:</b> Vehicle Base (7160-1493), the Recommended Solution as Stated Above, and the 6" Locking Slide Arm with Short Clevis (7160-1160)						
<b>FEATURES</b>							
<ul style="list-style-type: none"> <li>- Designed specifically for the 2019+ Ford Ranger for a secure, custom fit</li> <li>- Vehicle base uses existing OEM bolts for a quick and easy install</li> <li>- Additional holes created to allow guide pin on seat rail</li> <li>- Positions the lower pole closer to the transmission hump to be as out of the way as possible</li> <li>- Stable and rugged platform for your computer mount in your mobile office</li> <li>- While this doesn't impact rearward travel of the passenger seat, forward seat travel is limited</li> <li>- Limited Lifetime Warranty</li> </ul>							

**FORD E-SERIES VAN CUTAWAY CHASSIS VEHICLE BASE**



7160-0090

ITEM NO.	PLACEMENT	SEAT CONFIGURATION	DRILLING REQUIRED	RECOMMENDED SOLUTION	WEIGHT	HEIGHT	WIDTH	DEPTH
7160-0090	Passenger Side Inner Front and Back Seat Studs	Bucket	<b>No</b> - Attaches to Seat Studs: (2006-2014) / 2006+ Ford E-Series Cutaway Chassis	Lower Tube: Included with Base Upper Pole: 7160-0178 Motion Attachment: 7160-0220 <i>Motion attachment and poles ordered separately</i>	9.5 lbs 4.3 kg	19.25" 18.8 cm	16.75" 42.5 cm	8.3" 21.1 cm
7170-0130	<b>Pedestal Kit:</b> Vehicle Base and the Recommended Pole Solution as Stated Above. No Substitutions. For More Detailed Information Please Visit our Website.							
<b>FEATURES</b>								
<ul style="list-style-type: none"> <li>- Won't interfere with passenger leg space</li> <li>- Bracket mounted to pole gusset allows for additional attachment to seat frame</li> <li>- Base works with most existing work boxes</li> <li>- Limited Lifetime Warranty</li> </ul>								
<i>Note:</i> Works with the 2015-2017 model year cutaway versions								

**FORD TRANSIT CONNECT VEHICLE BASE**



7160-0536

ITEM NO.	PLACEMENT	SEAT CONFIGURATION	DRILLING REQUIRED	RECOMMENDED POLE SOLUTION	WEIGHT	HEIGHT	WIDTH	DEPTH
7160-0536	Passenger Side on the Floor, Under Seat	Bucket	<b>No</b> - Attaches to Seat Studs: Ford Transit Connect (2014+)	Lower Tube: DS-LOWER-9 Upper Pole: 7160-0178 Support Brace: 7160-0230 Motion Attachment: 7160-0500 <i>Motion attachment and poles ordered separately</i>	3.35 lbs 1.5 kg	4.46" 11.3 cm	5.81" 14.8 cm	4.30" 10.9 cm
7170-0238	<b>Pedestal Kit:</b> Vehicle Base and the Recommended Pole Solution as Stated Above. No Substitutions. For More Detailed Information Please Visit our Website.							
<b>FEATURES</b>								
<ul style="list-style-type: none"> <li>- For extra stability, a support brace (7160-0230) is recommended</li> <li>- Limited Lifetime Warranty</li> </ul>								



**FORD TRANSIT VEHICLE BASE / 2016+ MERCEDES BENZ METRIS VAN**

ITEM NO.	PLACEMENT	SEAT CONFIGURATION	DRILLING REQUIRED	RECOMMENDED POLE SOLUTION	WEIGHT	HEIGHT	WIDTH	DEPTH
7160-0537	Attaches to Inboard and Outboard Passenger Side Seat Studs	Bucket/ Split Bench	<b>No</b> - Attaches to Seat Studs: Ford Transit (2015+)	Lower Tube: DS-LOWER-9 Upper Pole: 7160-0178 Support Brace: 7160-0231 Motion Attachment: 7160-0500 <i>Motion attachment and poles ordered separately</i>	4.75 lbs 2.2 kg	1.18" / 3 cm	23.0" / 58.4 cm	4.21" / 10.7 cm
7170-0226	<b>Pedestal Kit:</b> Vehicle Base and the Recommended Pole Solution as Stated Above. No Substitutions. For More Detailed Information Please Visit our Website.							
<b>FEATURES</b>								
<ul style="list-style-type: none"> <li>- For extra stability, a support brace (7160-0230) is recommended</li> <li>- Limited Lifetime Warranty</li> </ul>								



7160-0537

**FORD F150 ALUMINUM BODY/FORD F250 - F550/FORD EXPEDITION 2018+ VEHICLE BASE**

ITEM NO.	PLACEMENT	SEAT CONFIGURATION	DRILLING REQUIRED	RECOMMENDED POLE SOLUTION	WEIGHT	HEIGHT	WIDTH	DEPTH
7160-0554	Passenger Side on the Floor, Under the Seat	All	<b>No</b> - Attaches Seat Studs: Ford F-150 Aluminum Body (2015+), Super Duty F250-F550 (2017+), Ford Expedition (2018+)	Lower Tube: DS-LOWER-9 Upper Pole: 7160-0178 Support Brace: 7160-0230 Motion Attachment: 7160-0220 <i>Motion attachment and poles ordered separately</i>	6.7 lbs 3 kg	6.48" / 16.5 cm	17.68" / 44.9 cm	7.27" / 18.5 cm
7170-0236	<b>Pedestal Kit:</b> Vehicle Base and the Recommended Pole Solution as Stated Above. No Substitutions. For More Detailed Information Please Visit our Website.							
<b>FEATURES</b>								
<ul style="list-style-type: none"> <li>- Installs in minutes with no drilling required</li> <li>- Angled step moves pole away from passenger leg space</li> <li>- Will not interfere with levers or factory installed consoles</li> <li>- One offset universal mounting step (DS-STEP) is already included with this vehicle base. However, additional offset universal mounting steps can be ordered to stack on top of each other if needed</li> <li>- Limited Lifetime Warranty</li> </ul>								



7160-0554

**FORD F150 ALUMINUM BODY AND SUPER DUTY F250 - F550 VEHICLE BASE**

ITEM NO.	PLACEMENT	SEAT CONFIGURATION	DRILLING REQUIRED	RECOMMENDED POLE SOLUTION	WEIGHT	HEIGHT	WIDTH	DEPTH
7160-1046	Attaches to Front Center Seat Bolts on Transmission Hump	Bucket/ Split Bench	<b>No</b> - Attaches to Seat Studs: Ford F-150 (2015+), Super Duty F250-F550 (2017+)	Lower Tube: DS-LOWER-9 Upper Pole: 7160-0178 Support Brace: 7160-0230 Motion Attachment: 7160-0220 <i>Motion attachment and poles ordered separately</i>	8.5 lbs 3.9 kg	2.8" / 12.5 cm	12.5" / 31.8 cm	12.6" / 32.1 cm
7170-0640-01	<b>Pedestal Kit:</b> Vehicle Base with Support Brace (7160-0230)							
7170-0640-02	<b>Pedestal Kit:</b> Vehicle Base with Support Brace (7160-0230) and Lower Tube (DS-LOWER-9)							
7170-0640-03	<b>Pedestal Kit:</b> Vehicle Base with Support Brace (7160-0230), and Lower Tube (DS-LOWER-13)							
<b>FEATURES</b>								
<ul style="list-style-type: none"> <li>- Installs in minutes with no drilling required</li> <li>- Removable support foot on the driver's side for truck with manual 4x4 shift lever on the floor</li> <li>- Support brace recommended (7160-0230)</li> <li>- Two pole mounting positions on base</li> <li>- Base includes bracket that secures the vehicle end of the support brace under the dash to a OEM mounting point</li> <li>- Limited Lifetime Warranty</li> </ul>								



7160-1046



7170-0640-03

**SPRINTER VAN BASE**



7160-0036

ITEM NO.	PLACEMENT	SEAT CONFIGURATION	DRILLING REQUIRED	RECOMMENDED SOLUTION	WEIGHT	HEIGHT	WIDTH	DEPTH
7160-0036	Secured Between the Passenger Seat Base and Seat Bolts	Bucket	<b>No</b> - Attaches Between Seat Base and Seat Studs: Dodge Sprinter (2004-2009), Freightliner Sprinter (2004-2015), Mercedes Sprinter (2004+)	Lower Tube: DS-LOWER-5 Upper Pole: QADJ-UPPER-M5 Support Brace: 7160-0231 Motion Attachment: 7160-0284 <i>Motion attachment and poles ordered separately</i>	10.13 lbs 4.6 kg	5.88" 14.7 cm	24.12" 61.3 cm	7.0" 17.8 cm

**7170-0501 Pedestal Kit:** Vehicle Base and the Recommended Pole Solution as Stated Above. No Substitutions. For More Detailed Information Please Visit our Website.

**FEATURES**

- For extra stability a Support Brace (7160-0231) is recommended
- Limited Lifetime Warranty

**2019+ NISSAN FRONTIER BASE**



ITEM NO.	PLACEMENT	DRILLING REQUIRED	RECOMMENDED SOLUTION	WEIGHT	HEIGHT	WIDTH	LENGTH
7160-1412	Vehicle Base	No	Lower Tube: DS-LOWER-9 Upper Pole: 7160-0178 Support Brace: 7160-0230	7.94 lbs 3.60 kg	6.25" 15.9 cm	7.5" 19.0 cm	19" 48.3 cm

**FEATURES**

- Vehicle specific pedestal base for the 2019+ Nissan Frontier creates a custom fit
- Vehicle base uses existing OEM bolts for a quick and easy install without drilling
- Positions the lower pole closer to the transmission hump to be as out of the way as possible
- Stable and rugged platform for your computer mount in your mobile office
- While this doesn't impact rearward travel of the passenger seat, forward seat travel is limited
- Limited Lifetime Warranty

**NISSAN NV VEHICLE BASE**



7160-0342



7170-0502

ITEM NO.	PLACEMENT	SEAT CONFIGURATION	DRILLING REQUIRED	RECOMMENDED SOLUTION	WEIGHT	HEIGHT	WIDTH	DEPTH
7160-0342	Passenger Side on the Floor, Under Seat Rails	Bucket	<b>No</b> - Attaches to Seat Studs: Nissan NV (2011+)	Lower Tube: DS-LOWER-13 Upper Pole: 7160-0178 Support Brace: 7160-0230 Motion Attachment: 7160-0220 <i>Motion attachment and poles ordered separately</i>	6.6 lbs 3 kg	4.0" 10.2 cm	20.8" 52.8 cm	10.0" 25.4 cm

**7170-0502 Pedestal Kit:** Vehicle Base and the Recommended Pole Solution as Stated Above. No Substitutions. For More Detailed Information Please Visit our Website.

**FEATURES**

- Can be used with factory installed console
- For extra stability a support brace (7160-0230) is recommended
- Limited Lifetime Warranty

**CHEVY CITY EXPRESS 2017, CHEVY VOLT, NISSAN NV200 VEHICLE BASE**

ITEM NO.	PLACEMENT	SEAT CONFIGURATION	DRILLING REQUIRED	RECOMMENDED SOLUTION	WEIGHT	HEIGHT	WIDTH	DEPTH
7160-0557	Attaches to Inboard and Outboard Passenger Side Seat Studs	Bucket/ Split Bench	<b>No</b> - Attaches to Seat Studs: Chevrolet City Express (2015+), Chevrolet Volt (2010-2015), Nissan NV200 (2010+)	Lower Tube: DS-LOWER-13 Upper Pole: 7160-0178 Support Brace: 7160-0230 Motion Attachment: 7160-0500 <i>Motion attachment and poles ordered separately</i>	7.15 lbs 3.2 kg	4.48" 11.4 cm	18.14" 14.1 cm	7.15" 18.2 cm
7170-0503	<b>Pedestal Kit:</b> Vehicle base and the Recommended Solution as Stated Above. No Substitutions. For More Detailed Information Please Visit our Website.							



7160-0557



7170-0503

**FEATURES**

- Can be used with factory installed console
- For extra stability, a support brace (7160-0230) is recommended
- Rearward travel of the passenger seat is not affected, however there is limited forward seat travel
- Limited Lifetime Warranty

**TOYOTA TACOMA VEHICLE BASE**

ITEM NO.	PLACEMENT	SEAT CONFIGURATION	DRILLING REQUIRED	RECOMMENDED SOLUTION	WEIGHT	HEIGHT	WIDTH	DEPTH
DS-150	Passenger Side on the Floor, Under Seat	Bucket/Bench	<b>No</b> - Attaches to Seat Studs: Toyota Tacoma (2005+)	Lower Tube: DS-LOWER-7 Upper Pole: QUADJ-UPPER-M Support Brace: 7160-0230 Motion Attachment: 7160-0284 <i>Motion attachment and poles ordered separately</i>	8.5 lbs 3.9 kg	4.2" 10.7 cm	18.5" 47 cm	7.0" 17.8 cm



DS-150

**FEATURES**

- Will not interfere with levers or factory installed console
- Angled step moves pole away from passenger leg space
- One offset universal mounting step (DS-STEP) is already included with this vehicle base. However, additional offset universal mounting steps can be ordered to stack on top of each other if needed.
- Limited Lifetime Warranty

**FLAT FLOOR/HIGH SEAT UNIVERSAL BASE**



ITEM NO.	PLACEMENT	SEAT CONFIGURATION	DRILLING REQUIRED	POLE	HEIGHT ADJUSTABILITY	WEIGHT	HEIGHT	WIDTH	DEPTH
DS-52	Flat floor	All	Yes - Any vehicle with a flat floor	Lower Tube Included with Base Upper Pole ordered separately	Yes - 18.5" - 23.5" (46.9 - 59.7 cm) Depending on Upper Pole Selected	8.1 lbs 3.67 kg	18.25" 46.4 cm	8.0" 20.3 cm	8.0" 20.3 cm

**FEATURES**

- Solution for vehicle with high seats - vans, stepvans and trucks
- Limited Lifetime Warranty

**UNIVERSAL FLAT FLOOR BASE**



ITEM NO.	PLACEMENT	SEAT CONFIGURATION	DRILLING REQUIRED	POLE	HEIGHT ADJUSTABILITY	WEIGHT	HEIGHT	WIDTH	DEPTH
DS-57	Flat Floor	All	Yes - Any vehicle with a flat floor	Lower Tube Included with Base Upper Pole ordered separately	Yes - 14.25" - 19.25" (36.2 - 48.9 cm) Depending on Upper Pole Selected	5.35 lbs 2.4 kg	14.0" 35.6 cm	8.0" 20.3 cm	8.0" 20.3 cm

**FEATURES**

- Solution for vehicle with high seats - vans, stepvans and trucks
- Limited Lifetime Warranty

**UNIVERSAL PORTABLE BASE**



ITEM NO.	PLACEMENT	SEAT CONFIGURATION	DRILLING REQUIRED	WEIGHT	HEIGHT	WIDTH	DEPTH
7160-0033	On Passenger Seat	All	No	5.7 lbs 2.6 kg	5.0" 12.7 cm	14.0" 35.6 cm	16.0" 40.6 cm

**FEATURES**

- Light-weight aluminum for reduced overall weight
- Uses the passenger seat to firmly secure the base into the vehicle
- Design can easily be used with any vehicle
- Can be used with any Motion Attachment and computer cradle to make a universal computer mounting solution
- Provides a platform to mount portable equipment (computers, printers, scanners, etc...)
- Limited Lifetime Warranty

**PASSENGER-SIDE VEHICLE BASE**



ITEM NO.	PLACEMENT	SEAT CONFIGURATION	DRILLING REQUIRED	POLE	WEIGHT	HEIGHT	WIDTH	DEPTH
7160-0185	Passenger Side on the Floor	Bucket/Bench	Yes	Ordered Separately	7.5 lbs 3.4 kg	5.75" 14.6 cm	22.88" 58.1 cm	5.25" 13.3 cm

**FEATURES**

- Won't interfere with levers or factory installed 1/2 consoles located on transmission hump
- Will not work with full factory installed console or 4WD lever on transmission hump
- Won't interfere with passenger leg space
- Limited Lifetime Warranty

**FREIGHTLINER M2 106/107 VEHICLE BASE**



ITEM NO.	PLACEMENT	SEAT CONFIGURATION	DRILLING REQUIRED	RECOMMENDED POLE SOLUTION	WEIGHT	HEIGHT	WIDTH	DEPTH
7160-0544	Attaches to Inboard and Outboard Passenger Side Seat Studs	Bucket	No - Attaches to Seat Studs: Freightliner M2 106 (2012+) Freightliner M2 112 (2012+)	Lower Tube: DS-LOWER-9 Upper Pole: 7160-0178 Support Brace: 7160-0230 Motion Attachment: 7160-0220 <i>Motion Attachment and Poles Ordered Separately</i>	9.6 lbs 4.4 kg	9.49" 24.1 cm	20.27" 21.5 cm	11.27" 28.6 cm

**FEATURES**

- For extra stability, a support brace (7160-0230) is recommended
- Limited Lifetime Warranty

**FLAT VERTICAL SURFACE BASE**

ITEM NO.	PLACEMENT	SEAT CONFIGURATION	DRILLING REQUIRED	POLE	HEIGHT ADJUSTABILITY	WEIGHT	HEIGHT	WIDTH	DEPTH
<b>DS-53</b>	Flat, Vertical Surface	All	Yes	Lower Tube Included with Base, <i>Upper Pole Ordered Separately</i>	<b>Yes</b> - 13.25" - 18.25" (33.6 - 46.4 cm) Depending on Upper Pole Selected	4.2 lbs 1.9 kg	13.0" 33 cm	2.0" 5.1 cm	8.0" 20.3 cm



**FEATURES**

- Can be mounted to engine covers, consoles and "dog houses"
- Two back-up mounting strips included
- Limited Lifetime Warranty

**UNIVERSAL VERTICAL BASE**

ITEM NO.	PLACEMENT	SEAT CONFIGURATION	DRILLING REQUIRED	POLE	HEIGHT ADJUSTABILITY	WEIGHT	HEIGHT	WIDTH	DEPTH
<b>DS-138</b>	Flat, Vertical Surface	All	<b>Yes</b> - Backing Plate Provided to System Strength	Lower Tube Included with Base, <i>Upper Pole Ordered Separately</i>	<b>Yes</b> - 7.75" - 12.75" (19.7 - 32.4 cm) Depending on Upper Pole Selected	2.4 lbs 1.1 kg	7.5" 19.5 cm	3.0" 7.6 cm	1.25" 3.2 cm



**FEATURES**

- Ideal for mounting communication equipment to engine cover, consoles and "dog houses"
- Limited Lifetime Warranty

**UNIVERSAL VEHICLE BASE FOR INTERNATIONAL, FREIGHTLINER, AND STERLING TRUCKS**

ITEM NO.	PLACEMENT	SEAT CONFIGURATION	DRILLING REQUIRED	POLE	WEIGHT	HEIGHT	WIDTH	DEPTH
<b>DS-146</b>	Flat Floor to the Bench Seat	Bench	<b>Yes</b> - Attaches to Seat Frame and Drilled into the Vehicle Floor of the International, Freightliner or Sterling	<i>Ordered separately</i>	8.0 lbs 3.6 kg	11.0" - 15.23" 27.9 - 38.7 cm	5.0" 12.7 cm	13.39" 34 cm



**FEATURES**

- Universal design can be used in International, Freightliner, Sterling and other large trucks with a bench style seat
- Several mounting holes on top of the vehicle base allows for flexible positioning of computer mounting system
- Limited Lifetime Warranty

**UNIVERSAL ADJUSTABLE SEAT BASE**

ITEM NO.	DESCRIPTION	RECOMMENDED SOLUTION	WEIGHT	HEIGHT	WIDTH	DEPTH
<b>7160-1624</b>	Universal Adjustable Seat Base	Lower Tube: DS-LOWER-13 Upper Pole: 7160-0178 Support Brace: 7160-0230	9.25 lbs / 4.2 kg	2.75 in / 6.99 cm	13.75 in / 34.93 cm	10.28 in / 26.11 cm
<b>7170-0892-00</b>	<b>Pedestal Kit:</b> Seat Base and the Recommended Solution Stated Above - No Motion Attachment					
<b>7170-0892-01</b>	<b>Pedestal Kit:</b> Seat Base and the Recommended Solution Stated Above with Mongoose® - 9" Locking Slide Arm with Short Clevis					
<b>7170-0892-02</b>	<b>Pedestal Kit:</b> Seat Base and the Recommended Solution Stated Above with Mongoose® - 9" XE					
<b>7170-0892-03</b>	<b>Pedestal Kit:</b> Seat Base and the Recommended Solution Stated Above with Mongoose® - 9" XLE					



7160-1624



7170-0892-00

**FEATURES**

- Easily mounts to a variety of vehicle seat rails with no drilling required
- Mounting points on either side of base, provide mounting options for both right and left side drivers
- Stabilizer foot attaches to the front of the base and is adjustable vertically for a custom fit, regardless of seat rail frame height
- Base can be utilized upside down for vehicles with a short or flat seat rail frame
- Pedestal solution offers a space-efficient mounting option for fleet vehicles and for use in non-standard vehicles
- Limited Lifetime Warranty

**3" CENTER-MOUNTED COMPLETE POLES**



ITEM NO.	PLACEMENT	HEIGHT ADJUSTABILITY	WEIGHT	HEIGHT	WIDTH	DEPTH
<b>DS-POLE-CTR</b>	Any Console Box Top Plate or Vehicle Base Without a Welded Pole	<b>No</b> - Welded Pole	3 lbs 1.4 kg	4.7" 11.8 cm	3.0" 7.6 cm	3.0" 7.6 cm

**FEATURES**

- Specifically designed for low profile computer mounting in the Dodge Charger/Magnum police vehicle
- A low profile Motion Attachment (LOWSWIVEL) is recommended for use in the Dodge Charger/Magnum police vehicle
- Hardware for attaching to console box top plates included
- Is not compatible with the following vehicle bases (DS-52, DS-53, DS-56, DS-57, DS-100, DS-138, 7160-0090, 7160-0116, 7160-0133, 7160-0198, or 7160-0248)
- Limited Lifetime Warranty

Key dimension - Affects overall height of equipment

**LOWER TUBES**



ITEM NO.	PLACEMENT	HEIGHT ADJUSTABILITY	WEIGHT	HEIGHT	WIDTH	DEPTH
<b>DS-LOWER-5</b>	Any Console Box Top Plate or Vehicle Base Without a Welded Pole	<b>Yes</b> - From 5.0" - 7.0" (12.7 - 17.8 cm) Adjustment Includes Upper Pole	1.5 lbs .7 kg	5.0" 12.7 cm	3.0" 7.6 cm	3.0" 7.6 cm
<b>DS-LOWER-7</b>	Any Console Box Top Plate or Vehicle Base Without a Welded Pole	<b>Yes</b> - From 7.0" - 9.0" (17.8 - 22.9 cm) Adjustment Includes Upper Pole	1.8 lbs .8 kg	7.0" 17.8 cm	3.0" 7.6 cm	3.0" 7.6 cm
<b>DS-LOWER-9</b>	Any Console Box Top Plate or Vehicle Base Without a Welded Pole	<b>Yes</b> - From 9.0" - 14.25" (22.9 - 36.2 cm) Adjustment Includes Upper Pole	2.1 lbs 1 kg	9.0" 22.9 cm	3.0" 7.6 cm	3.0" 7.6 cm
<b>DS-LOWER-13</b>	Any Console Box Top Plate or Vehicle Base Without a Welded Pole	<b>Yes</b> - From 13.0" - 18.25" (33 - 46.4 cm) Adjustment Includes Upper Pole	2.65 lbs 1.2 kg	13.0" 33 cm	3.0" 7.6 cm	3.0" 7.6 cm

**FEATURES**

- Hardware for attaching to console box top plates included
- Is not compatible with the following vehicle bases (DS-52, DS-53, DS-56, DS-57, DS-100, DS-138, 7160-0090, 7160-0116, 7160-0133, 7160-0198, or 7160-0248)
- Limited Lifetime Warranty

Key dimension - Affects overall height of equipment

**CENTER UPPER TUBES**



7160-0178

ITEM NO.	PLACEMENT	HEIGHT ADJUSTABILITY	WEIGHT	HEIGHT	WIDTH	DEPTH
<b>7160-0177</b>	Inserts Into: - Any Gamber-Johnson Lower Tube - Vehicle Base that has a Welded Lower Tube	Allows 0.38" to 5.76" (1 - 7 cm) Adjustment Above Lip of Lower Tube	2.8 lbs 1.3 kg	6.22" 18.3 cm	4.31" 10.9 cm	3.0" 7.6 cm
<b>7160-0178</b>	Inserts Into: - 9" Lower Tube (DS-LOWER-9) - 13" Lower Tube (DS-LOWER-13) - Vehicle Base that has a Welded Lower Tube	Allows 0.38" to 5.76" (1 - 7 cm) Adjustment Above Lip of Lower Tube	3.2 lbs 1.5 kg	9.22" 26 cm	4.31" 10.9 cm	3.0" 7.6 cm

**FEATURES**

- Allows for closer mounting to the dash when off-set adjustability is not needed
- Less stress on the vehicle mounting equipment as weight is centered on the pole
- Wrench is needed for loosening, tightening and height adjustment
- Limited Lifetime Warranty

**STANDARD-ADJUSTABLE UPPER POLES**

ITEM NO.	PLACEMENT	HEIGHT ADJUSTABILITY	WEIGHT	HEIGHT	WIDTH	DEPTH
<b>DS-UPPER</b>	Inserts Into: - 7" Lower Tube (DS-LOWER-7) - 9" Lower Tube (DS-LOWER-9) - 13" Lower Tube (DS-LOWER-13) - Vehicle Base that has a Welded Lower Tube	Allows 0.38" - 5.76" (1 - 14.6 cm) Adjustment Above Lip of Lower Tube	2.6 lbs 1.2 kg	8.00" 20.3 cm	3.5" 8.9 cm	5.8" 14.7 cm
<b>DS-UPPER-M</b>	Inserts Into: - 7" Lower Tube (DS-LOWER-7) - 9" Lower Tube (DS-LOWER-9) - 13" Lower Tube (DS-LOWER-13) - Vehicle Base that has a Welded Lower Tube	Allows 0.38" - 5.76" (1 - 14.6 cm) Adjustment Above Lip of Lower Tube	3.3 lbs 1.5 kg	8.00" 20.3 cm	3.5" 8.9 cm	8.0" 20.3 cm
<b>DS-UPPER-L</b>	Inserts Into: - 7" Lower Tube (DS-LOWER-7) - 9" Lower Tube (DS-LOWER-9) - 13" Lower Tube (DS-LOWER-13) - Vehicle Base that has a Welded Lower Tube	Allows 0.38" - 5.76" (1 - 14.6 cm) Adjustment Above Lip of Lower Tube	4.1 lbs 1.9 kg	8.00" 20.3 cm	3.5" 8.9 cm	12.0" 30.5 cm



DS-UPPER-M

**FEATURES**

- Any Motion Attachment can be mounted on top of these upper poles.
- Wrench is needed for left/right rotational adjustments and height adjustments
- Limited Lifetime Warranty

Key dimension - Determines how far equipment extends away from pole

**QUICK-ADJUSTABLE UPPER POLES**

ITEM NO.	PLACEMENT	HEIGHT ADJUSTABILITY	WEIGHT	HEIGHT	WIDTH	DEPTH
<b>QADJ-UPPER-S</b>	Inserts Into: - 7" Lower Tube (DS-LOWER-7) - 9" Lower Tube (DS-LOWER-9) - 13" Lower Tube (DS-LOWER-13) - Vehicle Base that has a Welded Lower Tube	Allows 0.38" - 5.76" (1 - 14.6 cm) Adjustment Above Lip of Lower Tube	3.1 lbs 1.4 kg	8.25" 21 cm	3.5" 8.9 cm	5.8" 14.7 cm
<b>QADJ-UPPER-M</b>	Inserts Into: - 7" Lower Tube (DS-LOWER-7) - 9" Lower Tube (DS-LOWER-9) - 13" Lower Tube (DS-LOWER-13) - Vehicle Base that has a Welded Lower Tube	Allows 2.18" - 5.76" (5.5 - 14.6 cm) Adjustment Above Lip of Lower Tube	3.3 lbs 1.5 kg	8.25" 21 cm	3.5" 8.9 cm	8.0" 20.3 cm
<b>QADJ-UPPER-L</b>	Inserts Into: - 7" Lower Tube (DS-LOWER-7) - 9" Lower Tube (DS-LOWER-9) - 13" Lower Tube (DS-LOWER-13) - Vehicle Base that has a Welded Lower Tube	Allows 2.18" - 5.76" (5.5 - 14.6 cm) Adjustment Above Lip of Lower Tube	4.1 lbs 1.9 kg	8.25" 21 cm	3.5" 8.9 cm	12.0" 30.5 cm



QADJ-UPPER-M

**FEATURES**

- Any Motion Attachment can be mounted on top of these upper poles.
- Convenient lever controls left/right rotational adjustments and height adjustments. Wrench is not needed for adjustments.
- Set-collar can be used to stabilize height while rotational adjustments are made
- Limited Lifetime Warranty

Key dimension - Determines how far equipment extends away from pole

**LOW PROFILE BRACKET**



ITEM NO.	PLACEMENT	WEIGHT	HEIGHT	WIDTH	DEPTH
<b>ABF-KIT</b>	Any Vehicle Base Without a Welded Pole	0.8 lbs 0.4 kg	1.5" 3.8 cm	3.0" 7.6 cm	6.6" 16.8 cm

**FEATURES**

- Positions equipment low to the floor
- Hardware for attaching to console box top plates included
- Is not compatible with the following vehicle bases (DS-52, DS-53, DS-56, DS-57, DS-100, DS-138, 7160-0090, 7160-0116, 7160-0133, 7160-0198, or 7160-0248)
- Limited Lifetime Warranty

**RACK-TO-POST PLATFORMS**



DS-74



DS-74-L

ITEM NO.	PLACEMENT	WEIGHT	HEIGHT	WIDTH	DEPTH
<b>DS-74</b>	Secures to any Lower Tube	1.9 lbs 0.9 kg	4.0" 10.2 cm	3.0" 7.6 cm	6.0" 15.2 cm
<b>DS-74-L</b>	Secures to any Lower Tube	2.6 lbs 1.2 kg	3.56" 9 cm	3.0" 7.6 cm	9.38" 23.8 cm

**FEATURES**

- Provides additional mounting surface for radios, printers and other equipment
- Two muffler clamps are included for securing to pole
- Pre-drilled holes for use with the following printer mounts (7160-0126, 7160-0392 or 7160-0507)
- Limited Lifetime Warranty

**SUPPORT BRACES**



7160-0230

7160-0231

ITEM NO.	PLACEMENT	WEIGHT	WIDTH	DEPTH
<b>7160-0230</b>	Pole Clamp Attaches to the Lower Tube, Flattened Surface on Opposite End Secures to Vehicle Floor, Console or Dash	1.1 lbs 0.5 kg	2.3" 5.8 cm	10.3" to 16.3" 26.1 - 41.4 cm
<b>7160-0231</b>	Pole Clamp Attaches to the Lower Tube, Flattened Surface on Opposite End Secures to Vehicle Floor, Console or Dash	1.5 lbs 0.7 kg	2.3" 5.8 cm	10.3" to 35.3" 4.7 - 16 cm

**FEATURES**

- Designed for ease of installation
- Telescoping design allows for precise length adjustment without drilling into the pole
- Includes durable aluminum pole clamp that prevents catch points
- Increases the mounting system rigidity in rugged driving environments
- Limited Lifetime Warranty







# MOTION ATTACHMENTS

**SWIVEL, TILT, OR SLIDE YOUR DEVICE INTO THE BEST  
POSITION FOR YOU**

---

Motion attachments give the user the ability to place the computer in precisely the desired location, at any time. These attachments connect the electronic device and the platform on which it is mounted. Gamber-Johnson motion attachments work to create the ideal positioning for each client's individual needs, bringing the device up to 12" ( 30.48 cm) closer to the user. This increased movement and positioning is ideal for use in public safety vehicles, enterprise fleets or even material handling applications.

All of our motion attachment solutions are designed to make the mobile office as comfortable as possible. From articulating arms to low swivel attachments, each device is easy to use and has a Limited Lifetime Warranty to give ultimate peace of mind.



**1** ACCESS CAMERA ON PHONE



**2** LOCATE AND SCAN QR CODE



**3** CLICK LINK PROVIDED BY QR SCAN



**4** VIEW OUR PRODUCTS ONLINE



## MONGOOSE® XE WITH CLEVIS



7160-1116-07

ITEM NO.	DESCRIPTION	PLACEMENT/COMPATIBILITY	WEIGHT	HEIGHT	WIDTH	DEPTH
<b>7160-1116-07</b>	7" (17.78 cm) Motion Attachment	Center Console or Center Upper Pole	5.5 lbs 2.49 kg	3.5" 8.89 cm	5.5" 13.97 cm	8.38" 21.29 cm
<b>7160-1116-09</b>	9" (22.86 cm) Motion Attachment	Center Console or Center Upper Pole	5.68 lbs 2.58 kg	3.5" 8.89 cm	5.5" 13.97 cm	10.38" 26.37 cm
<b>7160-1116-12</b>	12" (30.48 cm) Motion Attachment	Center Console or Center Upper Pole	6.1 lbs 2.58 kg	3.5" 8.89 cm	5.5" 13.97 cm	13.38" 33.99 cm
<b>7160-1116-15</b>	15" (38.1 cm) Motion Attachment	Center Console or Center Upper Pole	6.8 lbs 3.08 kg	3.5" 8.89 cm	5.5" 13.97 cm	6.5" 41.91 cm

### FEATURES

- Color touch points for quick adjustments
- Sleek, low profile design
- Effortless positioning for user for user
- Newly designed braking system allows for secure positioning at roughly every inch
- Trolley can quickly and easily be pushed to the secure position for when vehicle is in motion
- Front pivot control lever locks arm in secure positions every 21°
- Attachment allows for computer/keyboard use between both driver and passenger position
- Clevis can be positioned on center on pivot portion of motion attachment for stowing device out of the way when not in use
- Attaches to any center upper or console top plate with the 3-hole pattern
- Clevis contains following hole patterns: VESA 75 mm, AMPS, NEC, and Gamber-Johnson 2x4
- MIL STD 810G, Mechanical Shock 20G and 40G, Tested to 30,000 Cycles
- Limited Lifetime Warranty

## MONGOOSE® XE WITH 3/8" STUD



7160-1210-12

ITEM NO.	DESCRIPTION	PLACEMENT/COMPATIBILITY	WEIGHT	HEIGHT	WIDTH	DEPTH
<b>7160-1210-07</b>	7" (17.78 cm) Motion Attachment	Center Console or Center Upper Pole	3.85 lbs 1.75 kg	3" 7.62 cm	5.5" 13.97 cm	8.38" 21.29 cm
<b>7160-1210-09</b>	9" (22.86 cm) Motion Attachment	Center Console or Center Upper Pole	4.05 lbs 1.88 kg	3" 7.62 cm	5.5" 13.97 cm	10.38" 26.37 cm
<b>7160-1210-12</b>	12" (30.48 cm) Motion Attachment	Center Console or Center Upper Pole	4.45 lbs 2.02 kg	3" 7.62 cm	5.5" 13.97 cm	13.38" 33.99 cm
<b>7160-1210-15</b>	15" (38.1 cm) Motion Attachment	Center Console or Center Upper Pole	5.05 lbs 2.29 kg	3" 7.62 cm	5.5" 13.97 cm	16.5" 41.91 cm

### FEATURES

- Color touch points for quick adjustments
- Sleek, low profile design
- Effortless positioning for user
- Newly designed braking system allows for secure positioning at roughly every inch
- Trolley can quickly and easily be pushed to the secure position for when vehicle is in motion
- Front pivot control lever locks arm in secure positions every 21°
- Attachment allows for computer/keyboard use between both driver and passenger position
- Clevis can be positioned on center on pivot portion of motion attachment for stowing device out of the way when not in use
- Attaches to any center upper or console top plate with the 3-hole pattern
- Clevis or tablet display bracket mounts to the 3/8" stud (sold separately)
- MIL STD 810G, Mechanical Shock 20G and 40G, Tested to 30,000 Cycles
- Limited Lifetime Warranty

**MONGOOSE® XLE WITH CLEVIS**

ITEM NO.	DESCRIPTION	PLACEMENT/COMPATIBILITY	WEIGHT	HEIGHT	WIDTH	DEPTH
7160-1216-07	7" (17.78 cm) Motion Attachment	Center Console or Center Upper Pole	5.6 lbs 2.54 kg	3.5" 8.89 cm	5.5" 13.97 cm	8.38" 21.29 cm
7160-1216-09	9" (22.86 cm) Motion Attachment	Center Console or Center Upper Pole	5.8 lbs 2.63 kg	3.5" 8.89 cm	5.5" 13.97 cm	10.38" 26.37 cm
7160-1216-12	12" (30.48 cm) Motion Attachment	Center Console or Center Upper Pole	6.2 lbs 2.81 kg	3.5" 8.89 cm	5.5" 13.97 cm	13.38" 33.99 cm
7160-1216-15	15" (38.1 cm) Motion Attachment	Center Console or Center Upper Pole	6.8 lbs 3.08 kg	3.5" 8.89 cm	5.5" 13.97 cm	16.5" 41.91 cm



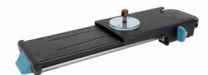
7160-1216-09

**FEATURES**

- Color touch points for quick adjustments
- Sleek, low profile design
- Effortless positioning for user
- Newly designed braking system allows for secure positioning at roughly every inch
- Trolley can quickly and easily be pushed to the secure position
- Front pivot control lever locks arm in secure positions every 21°
- Attachment allows for computer/keyboard use between both driver and passenger position
- Clevis can be positioned on center on pivot portion of motion attachment for stowing device out of the way when not in use
- Attaches to any center upper or console top plate with the 3-hole pattern
- Designed to work with the Independent Display bracket assembly (7110-1305 and 7110-1306)
- 7" (17.78 cm) and 9" (22.86 cm) lengths recommended for cars and SUVs
- 12" (30.48 cm) and 15" (38.10 cm) lengths recommended for pickups and larger trucks
- Trolley plate is extended to provide 4" (10.16 cm) of additional length
- Clevis contains following hole patterns: VESA 75 mm, AMPS, NEC, and Gamber-Johnson 2x4
- MIL STD 810G, Mechanical Shock 20G and 40G, Tested to 30,000 Cycles
- Limited Lifetime Warranty

**MONGOOSE® XLE WITH 3/8" STUD**

ITEM NO.	DESCRIPTION	PLACEMENT/COMPATIBILITY	WEIGHT	HEIGHT	WIDTH	DEPTH
7160-1220-07	7" (17.78 cm) Motion Attachment	Center Console or Center Upper Pole	3.95 lbs 1.79 kg	3" 7.62 cm	5.5" 13.97 cm	8.38" 21.29 cm
7160-1220-09	9" (22.86 cm) Motion Attachment	Center Console or Center Upper Pole	4.15 lbs 1.88 kg	3" 7.62 cm	5.5" 13.97 cm	10.38" 26.37 cm
7160-1220-12	12" (30.48 cm) Motion Attachment	Center Console or Center Upper Pole	4.55 lbs 2.06 kg	3" 7.62 cm	5.5" 13.97 cm	13.38" 33.99 cm
7160-1220-15	15" (38.1 cm) Motion Attachment	Center Console or Center Upper Pole	5.15 lbs 2.34 kg	3" 7.62 cm	5.5" 13.97 cm	16.5" 41.91 cm



7160-1220-15

**FEATURES**

- Color touch points for quick adjustments
- Sleek, low profile design
- Effortless positioning for user
- Newly designed braking system allows for secure positioning at roughly every inch
- Trolley can quickly and easily be pushed to the secure position for when vehicle is in motion
- Front pivot control lever locks arm in secure positions every 21°
- Attachment allows for computer/keyboard use between both driver and passenger position
- Clevis can be positioned on center on pivot portion of motion attachment for stowing device out of the way when not in use
- Attaches to any center upper or console top plate with the 3-hole pattern
- Clevis or tablet display bracket mounts to the 3/8" stud (sold separately)
- MIL STD 810G, Mechanical Shock 20G and 40G, Tested to 30,000 Cycles
- Limited Lifetime Warranty

## MONGOOSE® XLE WITH 3/8" STUD



ITEM NO.	DESCRIPTION	PLACEMENT/COMPATIBILITY	WEIGHT	HEIGHT	WIDTH	DEPTH
7110-1305	Mongoose XLE Independent Display Bracket for Gamber-Johnson	Rear Pivot Portion of Mongoose XLE for Tablet Display Bracket	1.65 lbs 0.75 kg	4" 10.16 cm	3" 7.62 cm	3.88" 9.34cm

### FEATURES

- Mounts over top of the pivot point of the Mongoose XLE creating a smaller footprint
- 3/8" stud accommodates both Gamber-Johnson VESA 75 mm Tablet Displays (7160-0761 and 7160-0831)
- Tight fit with the foam pad allows for vibration dampening of tablet display portion
- Motion attachment and tablet display are independent from each other to allow stationary viewing
- Does NOT include bearing hardware
- Limited Lifetime Warranty

## MONGOOSE® XLE INDEPENDENT DISPLAY BRACKET FOR ZIRKONA



ITEM NO.	DESCRIPTION	PLACEMENT/COMPATIBILITY	WEIGHT	HEIGHT	WIDTH	DEPTH
7110-1306	Mongoose XLE Independent Display Bracket for Zirkona	Rear Pivot Portion of Mongoose XLE for Tablet Display with Zirkona	1.8 lbs 0.82 kg	3.5" 8.89 cm	3" 7.62 cm	3.88" 9.34cm

### FEATURES

- Mounts over top of the pivot point of the Mongoose XLE creating a smaller footprint
- M20 threads adapts to a Zirkona Tablet display for use with smaller tablets
- Tight fit with the foam pad allows for vibration dampening of tablet display portion
- Motion attachment and tablet display are independent from each other to allow stationary viewing
- Does NOT include bearing hardware
- Limited Lifetime Warranty

**MONGOOSE® XLE TABLET DISPLAY KIT**

ITEM NO.	DESCRIPTION	WEIGHT	HEIGHT	WIDTH	DEPTH
<b>7160-0894</b>	Mongoose XLE Tablet Display Kit - 9"	12.35 lbs 5.6 kg	11.5 in 29.21 cm	6.5" 16.51 cm	10.38" 26.37 cm



**FEATURES**

- Display bracket (VESA 75mm) offers swivel and tilt, independent from the keyboard, to adjust for glare and comfort
- Position your keyboard with ease using the Mongoose XLE
- Independent display bracket ties the Mongoose XLE and VESA 75mm display bracket together while keeping a small footprint
- Color touch points on Mongoose XLE provides an easy visual to what moves
- Motion provided accommodates many different users
- Limited Lifetime Warranty

**TABLET DISPLAY MOUNT**

ITEM NO.	TILT	SWIVEL	WEIGHT	HEIGHT	WIDTH	DEPTH
<b>7160-0494</b>	Display can be Tilted Down 160° Away From the Dash	Display can be Swiveled 60° Right/60° Left	3.85 lbs 1.7 kg	8.42" to 10.3" (21.4 to 26.2 cm) <i>Entire mounting system will determine overall height</i>	5.5" 14 cm	5.75" 14.6 cm
<b>7160-0529</b>	Display can be Tilted Down 160° Away From the Dash	Display can be Swiveled 60° Right/60° Left	4.0 lbs 1.7 kg	10.3" to 12.7" (26.2 to 32.3 cm) <i>Entire mounting system will determine overall height</i>	5.5" 14 cm	5.75" 14.6 cm



7160-0494



7160-0529

**FEATURES**

- The tablet display mount can be placed on any Gamber-Johnson upper pole, the Mongoose (7160-0220) or 3-hole pattern found on a console system (ordered separately) allowing flexibility in how you want to adapt the tablet in a vehicle
- Display mount can easily be tilted down 160° away from the dashboard, providing easy access to the controls on the instrument panel
- Display mount can be swiveled 60° right/60° left for optimal viewing positioning
- Display mount is height adjustable to accommodate the various sizes of tablet computers and docking stations
- Can be used with the quick release keyboard tray for Motion Attachment (7160-0498) and one of the following Motion Attachments to make a sliding keyboard:
  - Quad-Motion TS3 (7160-0284)
  - Quad-Motion TS5 (7160-0285)
  - Mongoose (7160-0427), Mongoose XE (7160-1210-XXv), Mongoose XLE (7160-1220-XX)
- 6" locking slide arm (7160-0514) with 3/8" stud
- Display mount can be used with any tablet or tablet docking station that has an AMPS, NEC, Gamber-Johnson or VESA 75 mm hole pattern
- Limited Lifetime Warranty

**TABLET DISPLAY MOUNT KITS WITH KEYBOARD**

ITEM NO.	INCLUDED IN KIT	WEIGHT	HEIGHT	WIDTH	DEPTH
<b>7170-0217</b>	Tablet Display Mount (7160-0494), 6" Locking Slide Arm with 3/8" Stud (7160-0514), Quick Release Keyboard Tray (7160-0498), 3/8" Clevis Motion Attachment (7160-1008)	13.0 lbs 5.9 kg	10.0 - 12.0" 25.4 - 30.5 cm <i>Entire mounting system will determine overall height</i>	12.88" 32.7 cm	11.25" 28.6 cm
<b>7170-0217-01</b>	Tall Tablet Display Mount (7160-0529), 6" Locking Slide Arm with 3/8" Stud (7160-0514), Quick Release Keyboard Tray (7160-0498), 3/8" Clevis Motion Attachment (7110-1008)	13.15 lbs 5.96 kg	11.89 - 14.4" 30.2 - 36.58 cm <i>Entire mounting system will determine overall height</i>	12.88" 32.7 cm	11.25" 28.6 cm



7170-0217



7170-0217

**FEATURES**

- The Tablet Display Mount Kit can be placed on any Gamber-Johnson Upper Pole or 3-hole pattern found on a MCS Console System (ordered separately) allowing flexibility in how you want to adapt the tablet in a vehicle
- Display Mount can easily be tilted down 160° away from the dashboard. The downward tilt helps provide easy access to the controls on the instrument panel
- Display Mount can be swiveled 360° for optimal viewing positioning
- Display Mount is height adjustable to accommodate the various sizes of tablet computers and docking stations
- Heavy gauge steel construction for long-term durability
- Black powder coat finish for maximum corrosion resistance
- Display Mount can be used with any tablet or tablet docking station that has an AMPS, NEC, Gamber-Johnson or VESA 75mm hole pattern
- Limited Lifetime Warranty

## TABLET DISPLAY MOUNT KITS WITH KEYBOARD



7170-0218



7170-0219



7170-0219-01



7170-0513-01

ITEM NO.	INCLUDED IN KIT	WEIGHT	HEIGHT	WIDTH	DEPTH
7170-0218	Tablet Display Mount (7160-0494), Mongoose with 3/8" Stud (7160-0427), Clevis (7110-1008), Keyboard (7160-0498)	14.5 lbs 6.6 kg	9.88" to 11.75" (25.1 to 29.8 cm) <i>Entire mounting system will determine overall height</i>	12.88" 32.7 cm	13.62" 34.6 cm
7170-0218-01	Tall Tablet Display Mount (7160-0529), Mongoose with 3/8" Stud (7160-0427), Clevis (7110-1008), Keyboard (7160-0498)	14.7 lbs 6.6 kg	11.77" to 14.5" (29.9 to 36.8 cm) <i>Entire mounting system will determine overall height</i>	12.88" 32.7 cm	13.62" 34.6 cm
7170-0219	Tablet Display Mount (7160-0494), Quad-Motion TS5 (7160-0285), Clevis (7110-1008), Keyboard (7160-0498)	12.0 lbs 5.4 kg	8.38" to 10.25" (21.3 to 26 cm) <i>Entire mounting system will determine overall height</i>	12.88" 32.7 cm	11.18" 28.4 cm
7170-0219-01	Tall Tablet Display Mount (7160-0529), Quad-Motion TS5 (7160-0285), Clevis (7110-1008), Keyboard (7160-0498)	12.2 lbs 5.5 kg	10.27" to 12.65" (26.1 to 32.1 cm) <i>Entire mounting system will determine overall height</i>	12.88" 32.7 cm	11.18" 28.4 cm
7170-0513	Tablet Display Mount (7160-0494), Quad-Motion TS5 (7160-0285), Keyboard (7160-0857)	9.4 lbs 4.3 kg	8.38" to 10.25" (21.2 to 26 cm) <i>Entire mounting system will determine overall height</i>	7.40" 18.8 cm	13.27" 33.7 cm
7170-0513-01	Tall Tablet Display Mount (7160-0529), Quad-Motion TS5 (7160-0285), Keyboard (7160-0857)	9.5 lbs 4.3 kg	10.27" to 12.65" (26 to 32.1 cm) <i>Entire mounting system will determine overall height</i>	7.40" 18.8 cm	13.27" 33.7 cm

## INDEPENDENT TABLET DISPLAY MOUNT BASE



ITEM NO.	PLACEMENT	WEIGHT	HEIGHT	WIDTH	DEPTH
7160-0758	Attaches to the Top Bracket of the Independent Tablet Display Mount (7160-0761) and can be Placed on any Upper Pole, Complete Pole, Center Pole, 3-Hole Pattern Found on a MCS Console System	4.0 lbs 1.8 kg	5.2" - 6.8" 13.2 cm - 17.3 cm	3.0" 7.6 cm	4.5" 11.43 cm

### FEATURES

- Independent Tablet Display Mount Base is height adjustable to accommodate the various sizes of tablet computers and docking stations heights
- Base can be used in conjunction with the Mongoose (7160-0220) and the Independent Tablet Display Bracket (7160-0761) to form a solution
- Base attaches to any Gamber-Johnson upper pole or 3-hole pattern found on the MCS console system (ordered separately)
- Limited Lifetime Warranty

## INDEPENDENT TABLET DISPLAY MOUNT



ITEM NO.	PLACEMENT	TILT	ROTATE	WEIGHT	HEIGHT	WIDTH	DEPTH
7160-0761	Attaches to the Base of the Independent Tablet Display Mount (7160-0758) and to any Tablet Display or Gamber-Johnson Tablet Docking Station with a VESA 75 mm Mounting Hole Pattern	Yes - Total of 53°	360°	2.6 lbs 1.6 kg	9.2" 23.4 cm	4.2" 10.67 cm	5.65" 14.35 cm

### FEATURES

- Attaches to the base of the Independent Tablet Display Mount (7160-0758)
- Has four mounting positions that allow the tablet display or tablet docking station to be positioned at the optimal viewing height
- Bracket can be tilted down 160° away from the dash to provide easy access to the controls on the instrument panel
- Docks and Cradles mounted using any 75 mm hole pattern position
- Limited Lifetime Warranty



**TALL INDEPENDENT TABLET DISPLAY MOUNT**

ITEM NO.	DESCRIPTION	PLACEMENT	WEIGHT	HEIGHT	WIDTH	DEPTH
<b>7160-0831</b>	Tall Independent Tablet Display Mount	Attaches to the Base of the Independent Tablet Display Mount (7160-0758) and to any Tablet Display or Gamber-Johnson Tablet Docking Station with a VESA 75 mm Mounting Hole Pattern	2.75 lbs 1.25 kg	12" 30.48 cm	4.2" 10.6 cm	6.02" 15.29 cm



**FEATURES**

- Taller display bracket helps to increase visibility of screen for driver
- Works best with tablet docks with downward facing ports (i.e. Panasonic Toughbook 33 Tablet docks and cradles)
- Bracket can be tilted down 160° to help with better access around the dock
- Great display bracket to use with Mongoose XLE Independent Display Bracket (7110-1305)
- Multiple VESA 75 mm mounting holes to get the ideal height during install
- Limited Lifetime Warranty

**FOLD-UP TABLET AND KEYBOARD MOUNT**

ITEM NO.	DESCRIPTION	PLACEMENT	WEIGHT	HEIGHT	WIDTH	DEPTH
<b>7160-1445</b>	Tablet and Keyboard Mount / Keyboard Tray Works with Mountable Keyboards and the Quick-Release Keyboard Tray (7160-0857)	Attaches to any 3/8" stud	3.95 lbs 1.79 kg	9.25" 23.5 cm	6.58" 16.71 cm	12.67" 32.18 cm



**FEATURES**

- Fold-up your keyboard when not in use to make the dock and keyboard mounted compact
- Swivel and/or telescope the keyboard and display together for easy viewing and operation
- Ratcheting handles (2) for swift adjustment of keyboard and display
- Ratcheting handles can also be installed on either side of mount depending on the use case
- Includes friction bearing hardware bag to mount to the center hole located in the 3-hole pattern
- Keyboard and display can tilt to operator's desired position
- Display can tilt to help avoid unwelcome glare
- Bottom portion features three (3) 3/8" holes allowing the user different positions to mount on motion device
- VESA 75 mm threaded PEMS permits the ability to mount to anything that contains VESA 75 mm holes (i.e. clevis' and universal adapter 7160-0454)
- Keyboard contains VESA 75 mm, VESA 50 mm, AMPS, and NEC hole patterns to accommodate various mountable keyboards
- Display features 4 different VESA 75 mm positions to accommodate different size tablet docks and cradles
- Limited Lifetime Warranty

**INDEPENDENT ROTATION TABLET DISPLAY MOUNT KIT**

ITEM NO.	INCLUDED IN KIT	WEIGHT	HEIGHT	WIDTH	DEPTH
<b>7170-0514</b>	Independent Tablet Display Mount (7160-0761), Mount Base (7160-0758), Mongoose Motion Attachment (7160-0427), Short Clevis with Handle (7160-0783), Low Profile Quick Release Keyboard Tray (7160-0857)	15.0 lbs 6.8 kg	14.4 - 16.0" 36.6 - 40.6 cm	7.5" 19.1 cm	14.4" 36.6 cm
<b>7170-0514-01</b>	Tall Independent Tablet Display Mount (7160-0831), Mount Base (7160-0758), Mongoose Motion Attachment (7160-0427), Short Clevis with Handle (7160-0783), Low Profile Quick Release Keyboard Tray (7160-0857)	15.15 lbs 6.87 kg	17.4" - 19" 44.20 cm - 48.26cm	7.5" 19.05 cm	14.4" 36.58 cm



**FEATURES**

- Can be mounted on either a Gamber-Johnson upper pole or directly to a console box (mission control system) with a 3-hole pattern
- Rotate the tablet and keyboard independent of each other
- Quick release keyboard comes with built-in optional heavy-duty key lock to keep the keyboard from being removed
- Can be tilted up to 160° down from the dashboard so you have access to controls on the instrument panel
- Has four mounting positions to accommodate various sizes of tablets and docking stations
- Can be used with any tablet or tablet docking station with a VESA 75mm hole pattern
- Tall Independent Rotation Tablet Display Mount Kit (7170-0514-01) is taller to accommodate different tablet docks and offer more height
- Limited Lifetime Warranty

# MOTION ATTACHMENTS

## VESA 75 MM & GAMBER-JOHNSON HOLE PATTERN CLEVIS



7160-0750



7160-0775



7160-0776

ITEM NO.	DESCRIPTION	PLACEMENT	TILT	SWIVEL	WEIGHT	HEIGHT	WIDTH	DEPTH
7160-0750	Standard	Any Upper Pole, Compatible Pole, Center Pole, Low Profile Bracket, or Directly to any Flat Surface	<b>Yes</b> - Up to 90° fore/26° aft	<b>Yes</b> - 360°	2.2 lbs 1 kg	2.17" 5.5 cm	8.18" 20.8 cm	4.4" 11.2 cm
7160-0775	Short	Any Upper Pole, Compatible Pole, Center Pole, Low Profile Bracket, or Directly to any Flat Surface	<b>Yes</b> - Up to 45° fore	<b>Yes</b> - 360°	2.2 lbs 1 kg	1.47" 3.7 cm	7.23" 18.4 cm	4.05" 10.3 cm
7160-0776	Tall	Any Upper Pole, Compatible Pole, Center Pole, Low Profile Bracket, or Directly to any Flat Surface	<b>Yes</b> - Up to 90° fore/30° aft	<b>Yes</b> - 360°	3.0 lbs 1.4 kg	5.71" 14.5 cm	7.23" 18.4 cm	4.4" 11.2 cm

### FEATURES

- Built in swivel function allows Clevis to be mounted on any flat, rigid surface.
- When mounted to a 3-hole pattern the built in swivel function gives the user more flexibility of the Clevis positioning during installation.
- Top locknut allows the clevis to be fixed in position
- Lever provides a secure clamping force when tilted
- Clevis works with the following hole patterns: VESA 75 mm, Gamber-Johnson 2x4, NE, AMPS
- Limited Lifetime Warranty

## 3/8" HOLE WITH VESA 75MM & GAMBER-JOHNSON HOLE PATTERN CLEVIS



ITEM NO.	PLACEMENT	TILT	SWIVEL	WEIGHT	HEIGHT	WIDTH	DEPTH
7110-1200	Any Upper Pole, Compatible Pole, Center Pole, Low Profile Bracket. Has a 3/8" Center Hole for 360° Rotation. Is Recommended to be Used With 3/8" Stud Motion Attachments (7160-0427, 7160-0514, 7160-1210-XX OR 7160-1220-XX Motion Attachments).	<b>Yes</b> - Up to 90° fore/26° aft	<b>Yes</b> - 360°	2.2 lbs 1 kg	2.4" 6.1 cm	8.18" 20.8 cm	4.40" 11.2 cm

### FEATURES

- Allows for increased tilt capabilities of 45° forward and 360° swivel
- Riveted design allows for smoother tilt movement
- Clevis can mount on any Gamber-Johnson console box, pole or flat, rigid surface
- Provide 360° swivel function for improved ergonomic positioning within the vehicle
- Rear fastening stud allows the Clevis to be locked in a fixed position
- Lever provides a secure clamping force when tilted
- Heavy gauge steel construction for long-term durability
- Black powdercoat finish for maximum corrosion resistance
- Clevis contains following hole patterns: VESA 75 mm, AMPS, NEC, and Gamber-Johnson 2x4
- Limited Lifetime Warranty

## SHORT CLEVIS W/HANDLE



ITEM NO.	DESCRIPTION	PLACEMENT	WEIGHT	HEIGHT	WIDTH	DEPTH
7160-0783	Short Clevis w/Handle	Attaches to any 3-Hole Pattern to Attach Docks, Cradles, Keyboards	2 lbs 0.91 kg	1.47" 3.73 cm	7.23" 18.36 cm	4.05" 10.29 cm

### FEATURES

- Allows for increased tilt capabilities of 45° forward and 360° swivel
- Riveted design allows for smoother tilt movement
- Clevis can mount on any Gamber-Johnson console box, pole or flat, rigid surface
- Provide 360° swivel function for improved ergonomic positioning within the vehicle
- Rear fastening stud allows the Clevis to be locked in a fixed position
- Lever provides a secure clamping force when tilted
- Heavy gauge steel construction for long-term durability
- Black powdercoat finish for maximum corrosion resistance
- Clevis contains following hole patterns: VESA 75 mm, AMPS, NEC, and Gamber-Johnson 2x4
- Limited Lifetime Warranty

## LOWSWIVEL VESA 75 MM & GAMBER-JOHNSON HOLE PATTERN

ITEM NO.	PLACEMENT	TILT	SWIVEL	WEIGHT	HEIGHT	WIDTH	DEPTH
LOWSWIVEL	Any Upper Pole, Compatible Pole, Center Pole, Low Profile Bracket	No	Yes - 360°	1.4 lbs 0.6 kg	1.94" 4.9 cm	5.25" 13.3 cm	3.68" 9.3 cm
7160-0762	Any Upper Pole, Compatible Pole, Center Pole, Low Profile Bracket. Has a 3/8" Center Hole for 360° Rotation. Is Recommended to be used with 3/8" Stud Motion Attachments (7160-0427 or 7160-0514)	No	Yes - 360°	0.35 lbs 0.2 kg	1.67" 4.2 cm	5.25" 13.3 cm	3.68" 9.3 cm
7160-0268	Any Upper Pole, Compatible Pole, Center Pole, Low Profile Bracket	No - Motion Attachment has a fixed angle of 10°	Yes - 360°	1.4 lbs 0.6 kg	2.52" 6.4 cm	5.25" 13.3 cm	3.65" 9.3 cm
7160-0436	Any Upper Pole, Compatible Pole, Center Pole, Low Profile Bracket. Has a 3/8" Center Hole for 360° Rotation. Is Recommended to be used with 3/8" Stud Motion Attachments (7160-0427 or 7160-0514)	No - Motion Attachment has a fixed angle of 10°	Yes - 360°	0.36 lbs 0.2 kg	2.52" 6.4 cm	5.25" 13.3 cm	3.65" 9.3 cm



LOWSWIVEL



7160-0268



7160-0436

### FEATURES

- Provides a low profile for mounting equipment
- Clevis works with the following hole patterns: VESA 75 mm, Gamber-Johnson 2x4, NEC, AMPS
- Limited Lifetime Warranty

## MINI-CLEVIS

ITEM NO.	PLACEMENT	TILT	SWIVEL	WEIGHT	HEIGHT	WIDTH	DEPTH
7160-0162	Any Upper Pole, Compatible Pole, Center Pole, Low Profile Bracket	Yes - Up to 72° fore/40° aft	Yes - up to 60° right/ 60° left	1.04 lbs 0.5 kg	2.62" 6.7 cm	5.16" 13.1 cm	3.13" 8 cm



### FEATURES

- Designed to work with smaller handheld devices (rugged and non-rugged)
- Will hold devices up to 3.5 lbs (1.6 kg)
- Ratcheting lever allows for easy tilting adjustment
- Clevis works with the following hole patterns: NEC, AMPS
- Limited Lifetime Warranty

## 6" ARTICULATING ARM WITH VESA 75 MM & GAMBER-JOHNSON HOLE PATTERN

ITEM NO.	PLACEMENT	TILT	SWIVEL	ROTATE	WEIGHT	HEIGHT	WIDTH	DEPTH
7160-0497	Any Upper Pole, Compatible Pole, Center Pole, Low Profile Bracket or the Universal Portable Base (7160-0033)	Yes - Up to 90° fore/26° aft	Yes - 360°	Yes - 360°	4.24 lbs 1.9 kg	5.63" 14.3 cm	7.29" 18.5 cm	9.35" 23.7 cm



### FEATURES

- Marine-grade aluminum to help prevent rusting
- Can tilt, swivel, pull-out and rotate equipment 360° to virtually any position for optimal computer placement
- Extends 6" bringing equipment close to the user
- Recommended for use with universal portable base (7160-0033)
- Clevis works with the following hole patterns: VESA 75 mm, Gamber-Johnson 2x4, NEC, AMPS
- Limited Lifetime Warranty

# MOTION ATTACHMENTS

## 6" LOCKING SLIDE ARMS WITH VESA 75MM & GAMBER-JOHNSON HOLE PATTERN



7160-0500



7160-1160



7160-0502

ITEM NO.	PLACEMENT	MOTION ATTACHMENT INCLUDED	TILT	ROTATE	SLIDE	WEIGHT	HEIGHT	WIDTH	DEPTH
<b>7160-0500</b>	Any Upper Pole, Compatible Pole, Center Pole, Low Profile Bracket, or Directly to any Flat Surface	<b>Yes</b> - includes a standard Clevis	<b>Yes</b> - Up to 90° fore/ 26° aft	Motion Attachment - 360° Entire Arm - 360° can lock at every 15°	<b>Yes</b> - Up to 5.5" fore/aft	4.9 lbs 2.2 kg	4.59" 11.7 cm	7.23" 18.4 cm	9.39" 23.9 cm
<b>7160-1160</b>	Any Upper Pole, Complete Pole, Center Pole, Low Profile Bracket, Gamber-Johnson Console Box via 3-Hole Pattern or Directly to any Flat Surface	<b>Yes</b> - includes a Short Clevis	<b>Yes</b> - Up to 45°	Motion Attachment - 360° Entire Arm - 360° can lock at every 15°	<b>Yes</b> - Up to 5.5" fore/aft	5.2 lbs 3.1 kg	3.9" 9.9 cm	7.2" 18.4 cm	9.39" 23.9 cm
<b>7160-0502</b>	Any Upper Pole, Compatible Pole, Center Pole, Low Profile Bracket, or Directly to any Flat Surface	<b>Yes</b> - includes a Lowswivel	<b>No</b> - Motion Attachment has a fixed angle of 10°	Motion Attachment - 360° Entire Arm - 360° can lock at every 15°	<b>Yes</b> - Up to 5.5" fore/aft	4.7 lbs 2.1 kg	3.94" 9.6 cm	5.25" 13.3 cm	8.69" 22.1 cm

### FEATURES

- The entire arm can rotate around 360° with locking points every 15°. To rotate the arm simply pull the front lever out, rotate to desired position and then release the lever
- Locking slide arm can slide up to 5.5" from the center of the pole
- **Clevis Motion Attachment (7160-0500):**
  - Tilt capabilities: 90° forward allows for tablets to be easily mounted, and 26° aft movement
  - Riveted design allows for smoother tilt movement
- **Lowswivel Motion Attachment (7160-0502):**
  - Tilt capabilities: Fixed 10° angle for low profile mounting solution
- Clevis contains VESA 75 mm and Gamber-Johnson 2X4
- Limited Lifetime Warranty

## 6" LOCKING SLIDE ARM WITH 3/8" STUD



7160-0514

ITEM NO.	PLACEMENT	MOTION ATTACHMENT INCLUDED	TILT	ROTATE	SLIDE	WEIGHT	HEIGHT	WIDTH	DEPTH
<b>7160-0514</b>	Any Upper Pole, Compatible Pole, Center Pole, Low Profile Bracket, or Directly to any Flat Surface	<b>No</b> - must use Motion Attachment (7110-1200 or 7160-0436)	<b>No</b>	Entire Arm - 360° can lock every 15°	<b>Yes</b> - Up to 5.5" fore/aft	3.63 lbs 1.6 kg	2.43" 6.2 cm	3.66" 9.3 cm	8.74" 22.2 cm

### FEATURES

- The entire arm can rotate around 360° with locking points every 15°
- To rotate the arm simply pull the front lever out, rotate to desired position and then release the lever
- Locking slide arm can slide up to 5.5" from the center of the pole
- Designed to be used with the Gamber-Johnson Clevis with a 3/8" hole (7110-1200) or lowswivel with a 3/8" hole (7160-0436)
- Limited Lifetime Warranty

## QUAD-MOTION ATTACHMENTS WITH VESA 75 MM & GAMBER-JOHNSON HOLE PATTERN



7160-0284

ITEM NO.	PLACEMENT	TILT	SWIVEL	SLIDE	WEIGHT	HEIGHT	WIDTH	DEPTH
<b>7160-0284</b>	Any Upper Pole, Compatible Pole, Center Pole, Low Profile Bracket, or Directly to any Flat Surface	<b>Yes</b> - up to 90° fore/ 26° aft	Motion Attachment - 360° Entire Arm - Up to 60° right / 60° left	<b>Yes</b> - Up to 3.5" fore/aft	4.66 lbs 2.1 kg	4.16" 10.6 cm	7.23" 18.4 cm	7.91" 20.1 cm
<b>7160-0285</b>	Any Upper Pole, Compatible Pole, Center Pole, Low Profile Bracket, or Directly to any Flat Surface	<b>Yes</b> - up to 90° fore/ 26° aft	Motion Attachment - 360° Entire Arm - Up to 60° right / 60° left	<b>Yes</b> - Up to 5.0" fore/aft	4.88 lbs 2.2 kg	4.16" 10.6 cm	7.23" 18.4 cm	9.50" 24.13 cm

### FEATURES

- Two separate pivot points allow for swiveling, sliding, swiveling again and tilting computer to ideal location
- Maximum range of motion allows for comfortable use by both driver and passenger
- Adjustments can be made easily by turning the quick adjustment knob and moving the equipment in the desired position
- Improved sliding plate for smoother forward and backward motion
- Clevis works with the following hole patterns: VESA 75 mm, Gamber-Johnson 2x4, NEC, AMPS
- Limited Lifetime Warranty

## 6" SLIDE ARM WITH 3/8" STUD

ITEM NO.	PLACEMENT	TILT	SWIVEL	SLIDE	WEIGHT	HEIGHT	WIDTH	DEPTH
<b>7160-0782</b>	Any Upper Pole, Complete Pole, Center Pole, Low Profile Bracket, the Universal Portable Base (7160-0033), or any Flat Surface	<b>No</b> - Must Use Motion Attachment (7110-1200 or 7160-0436)	Motion Attachment - 360° Entire Arm - 360°	<b>Yes</b> - Up to 5.0" (12.7 cm) fore/aft	3.05 lbs 1.38 kg	4.0" 10.2 cm	3.63" 9.22 cm	7.91" 20.1 cm



### FEATURES

- Can be mounted directly to a flat surface or on any Upper Pole, Center Pole, Low Profile Bracket, Gamber-Johnson console box via 3-hole pattern
- Designed to be used with the Gamber-Johnson Clevis with a 3/8" hole (7110-1200) or lowswivel with a 3/8" hole (7160-0436)
- The entire arm can rotate around 360°
- Maximum range of motion allows for comfortable use by both driver and passenger
- Heavy gauge steel construction for long-term durability
- Black powder coat finish for maximum corrosion resistance
- Limited Lifetime Warranty

## 6" SLIDE ARM WITH SHORT CLEVIS

ITEM NO.	PLACEMENT	TILT	SWIVEL	SLIDE	WEIGHT	HEIGHT	WIDTH	DEPTH
<b>7160-0926</b>	Any Upper Pole, Complete Pole, Center Pole, Low Profile Bracket, the Universal Portable Base (7160-0033), or any Flat Surface	<b>Yes</b> - Up to 45°	Motion Attachment - 360° Entire Arm - 360°	<b>Yes</b> - up to 5.0" (12.7 cm) fore/aft	4.73 lbs 2.15 kg	3.9" 9.9 cm	7.23" 18.4 cm	7.91" 20.1 cm



### FEATURES

- Can be mounted directly to a flat surface or on any Upper Pole, Center Pole, Low Profile Bracket, Gamber-Johnson console box via 3-hole pattern
- The entire arm can rotate around 360°
- Two separate pivot points allow for swiveling, sliding, swiveling again, and tilting computer to ideal location
- Maximum range of motion allows for comfortable use by both driver and passenger
- Heavy gauge steel construction for long-term durability
- Black powder coat finish for maximum corrosion resistance
- Clevis works with the following hole patterns: VESA 75 mm, Gamber-Johnson 2x4, NE, AMPS
- Limited Lifetime Warranty

## MONGOOSE® - 9" LOCKING SLIDE ARM WITH VESA 75 MM & GAMBER-JOHNSON HOLE PATTERN

ITEM NO.	PLACEMENT	MOTION ATTACHMENT INCLUDED	TILT	ROTATE	WEIGHT	HEIGHT	WIDTH	DEPTH
<b>7160-0220</b>	Any Upper Pole, Compatible Pole, Center Pole, Low Profile Bracket, or Directly to any Flat Surface	<b>Yes</b> - Includes a Standard Clevis	<b>Yes</b> - Up to 90° fore / 26° aft	Motion Attachment - 360° Entire Arm - 360° can lock every 15°	6.9 lbs 3.1 kg	4.64" 11.8 cm	7.23" 18.4 cm	11.34" 28.8 cm



### FEATURES

- Design is protected by US Patent Number 8,511,629
- The entire arm can rotate around 360° with locking points every 15°
- To rotate the arm simply pull the front lever out, rotate to desired position and then release the lever
- Locking slide arm can telescope 9" to 13" from the center of the pole and allows you to simply push the computer back to the retracted position and it automatically locks into place
- Heavy duty, spring loaded steel, side pin was tested to 50,000+ cycles
- Clevis works with the following hole patterns: VESA 75 mm, Gamber-Johnson 2x4, NEC, AMPS
- Limited Lifetime Warranty

# MOTION ATTACHMENTS

## MONGOOSE® - 9" LOCKING SLIDE ARM WITH SHORT CLEVIS



ITEM NO.	PLACEMENT	MOTION ATTACHMENT INCLUDED	TILT	ROTATE	WEIGHT	HEIGHT	WIDTH	DEPTH
7160-0928	Any Upper Pole, Complete Pole, Center Pole, Low Profile Bracket, Gamber-Johnson Console Box via 3-Hole Pattern or Directly to any Flat Surface	<b>Yes</b> - Includes a Short Clevis	<b>Yes</b> - Up to 45°	Motion Attachment - 360° Entire Arm - 360° can lock at every 15°	3.63 lbs 1.65 kg	2.43" 6.17 cm	3.66" 9.30 cm	8.74" 22.20 cm

### FEATURES

- Designed is protected by US Patent Number 8,511,629
- The entire arm can rotate around 360° with locking points at every 15°
- To rotate the arm simply pull the front lever out, rotate to desired position and then release the lever
- Locking slide arm can telescope 9" to 13" from the center of the pole and utilizes the industry first "slam and lock" technology that allows you to simply push the computer back to the retracted position and it automatically locks into place
- Heavy duty, spring loaded steel, side pin was tested to 50,000+ cycles
- Can be mounted directly to a flat surface or on any Upper Pole, Center Pole, Low Profile Bracket, Gamber-Johnson console box via 3-hole pattern
- Two threaded inserts added to the back of the Mongoose to attach the Tablet Display Mount (7160-0494 or 7160-0529)
- Heavy gauge steel construction for long-term durability
- Black powder coat finish for maximum corrosion resistance
- Limited Lifetime Warranty

## MONGOOSE® - 9" LOCKING SLIDE ARM WITH 3/8" STUD



ITEM NO.	PLACEMENT	MOTION ATTACHMENT INCLUDED	TILT	ROTATE	WEIGHT	HEIGHT	WIDTH	DEPTH
7160-0427	Any Upper Pole, Compatible Pole, Center Pole, Low Profile Bracket, or Directly to any Flat Surface	<b>No</b> - Must use Motion Attachment (7110-1200 or 7160-0436)	<b>No</b>	Entire Arm - 360° can lock every 15°	5.2 lbs 2.4 kg	4.0" 10.2 cm	4.0" 10.2 cm	12.0" 30.5 cm

### FEATURES

- Design is protected by US Patent Number 8,511,629
- The entire arm can rotate around 360° with locking points every 15°. To rotate the arm simply pull the front lever out, rotate to desired position and then release the lever
- Locking slide arm can telescope 9" to 13" from the center of the pole and allows you to simply push the computer back to the retracted position and it automatically locks into place
- Heavy duty, spring loaded steel, side pin was tested to 50,000+ cycles
- Designed to be used with the Gamber-Johnson Clevis with 3/8" hole (7110-1200) or low swivel with 3/8" hole (7160-0436)
- Limited Lifetime Warranty

## 15" LOCKING SWING ARM WITH STANDARD CLEVIS



ITEM NO.	PLACEMENT	MOTION ATTACHMENT INCLUDED	TILT	ROTATE	WEIGHT	HEIGHT	WIDTH	DEPTH
7160-0341	Any Upper Pole, Compatible Pole, Center Pole, Low Profile Bracket, or Directly to any Flat Surface	<b>Yes</b> - Includes a standard Clevis	<b>Yes</b> - Up to 90°fore/ 26° aft	Motion Attachment - 360° Entire Arm - 360° can lock every 15°	5.9 lbs 2.7 kg	3.59" 9.1 cm	7.23" 18.4 cm	14.50" 36.8 cm

### FEATURES

- The entire arm can rotate around 360° with locking points every 15°. To rotate the arm simply pull the front lever out, rotate to desired position and then release the lever
- Ideal for work trucks and vans
- Clevis works with the following hole pattern: VESA 75 mm, Gamber-Johnson 2x4, NEC, AMPS
- Limited Lifetime Warranty

## UNIVERSAL ADAPTER

ITEM NO.	PLACEMENT	WEIGHT	HEIGHT	WIDTH	DEPTH
<b>7160-0454</b>	Between any Screen/Display or Docking Station with a VESA 75 mm or 100 mm, NEC, AMPS, Havis, Jotto, or PMT Hole Pattern and any Gamber-Johnson Motion Attachment	0.85 lbs 0.4 kg	0.97" 2.5 cm	5.0" 12.7 cm	5.0" 12.7 cm



### FEATURES

- Adapter plate can be mounted to flat surfaces
- Built-in cable restraint tie for service loops
- Adapter plate includes PEMs for easy installation
- Compatible with screens/displays or docking station that utilize the VESA 75 mm or 100 mm, NEC, AMPS, Havis, Jotto, or PMT hole pattern and allows you to attach the Gamber-Johnson standard hole pattern
- Limited Lifetime Warranty

## VESA 75 MM TO GAMBER-JOHNSON ADAPTOR PLATE

ITEM NO.	PLACEMENT	WEIGHT	HEIGHT	WIDTH	DEPTH
<b>7160-0794</b>	Between any Screens/Monitors or Docking Stations with VESA 75 mm Hole Pattern to Gamber-Johnson Older Motion Attachments with the Gamber-Johnson 2x4 Hole Pattern	0.8 lbs 0.36 kg	4.0" 10.2 cm	5.0" 12.7 cm	0.75" 1.9 cm



### FEATURES

- Adapter can be used with screens/monitors or docking stations that have threaded stud or threaded inserts
- Mounts between the device and the motion attachment
- Hardware provided for mounting plate to motion attachment, use hardware from screens/monitors or docking stations to mount to adapter plate
- Compatible with screens/monitors or docking stations that utilize the VESA 75 mm hole pattern and allow you to attach to the older Gamber-Johnson motion attachments with the 2x4 hole pattern
- Limited Lifetime Warranty



# Zirkona

## A MODULAR AND LIGHT-WEIGHT SOLUTION FOR YOUR TABLET DEVICE

---

Our Zirkona product line features an innovative, encapsulated joiner that allows users to rotate their small, lightweight devices (up to 11 pounds depending on the joiner) to the best possible position. This unique flexibility makes it possible to quickly adapt to nearly any application so that the user has an ergonomically correct position and minimal time is wasted fidgeting with repetitive adjustments. Knowing your technology is as secure as it is accessible makes Zirkona the ideal go-to solution.





**1** ACCESS  
CAMERA  
ON PHONE



**2** LOCATE  
AND SCAN  
QR CODE



**3** CLICK LINK  
PROVIDED  
BY QR SCAN



**4** VIEW OUR  
PRODUCTS  
ONLINE



## BUILDING SOLUTIONS WITH ZIRKONA

### DEVICE PLATE

Available in several mounting designs for unique device adaption, the device plate securely holds your light-weight device in place to complete the Zirkona solution.

### JOINER

Our unique encapsulated joiner allows users to rotate their small, lightweight devices easily and effortlessly. Available in two styles (traditional and two-down) and three different sizes to give users increased flexibility for a variety of payloads.

### EXTENSION

Extensions and adapters allow users to build the most desired solution for their needs. Available in a variety of extension lengths and configurations these pieces of the Zirkona product line are the key to customizability.

### BASE PLATE

Our wide variety of base plates gives your Zirkona solution the structural integrity it needs to withstand even the most extreme situations.

Choose from one of our pre-configured solution or start with the base and build something truly one-of-a kind for your specific need.



**ZIRKONA AMPS ROUND PLATE**

ITEM NO.	DESCRIPTION	PLACEMENT/COMPATIBILITY	WEIGHT	HEIGHT	DEPTH/ DIAMETER
14144	AMPS Round Plate	Attaches to any Joiner or Male Threaded Adapter (14145)	3.62" 9.19 cm	2.75" 6.99 cm	1.26" 3.20 cm diameter



**FEATURES**

- Easily threads onto a male threaded adapter or joiner using M20 threads
- Holes accommodate up to M6 and 1/4-20 size hardware
- Works great on smaller tablet cradles and docks such as: Samsung Tab Active2/Tab Active3, Gamber-Johnson NotePad Touch, Panasonic Toughbook F1/N1, Toughbook L1, Toughbook T1, Zebra L10 and more
- Can also be utilized as a base in your mount for a smaller footprint
- Recommend use of Loctite® 9460, 9461, or 9466 on all M20 size threads (Loctite not included)
- Contains AMPS and NEC Hole Patterns
- Limited Lifetime Warranty

**ZIRKONA VESA 75 MM AND VESA 100 MM PLATES**

ITEM NO.	DESCRIPTION	PLACEMENT/COMPATIBILITY	WEIGHT	HEIGHT	WIDTH	DEPTH
14139	VESA 75 mm Plate	Attaches to any Joiner or Male Threaded Adapter (14145)	0.2 lbs 0.09 kg	0.55" 1.4 cm	3.75" 9.53 cm	3.75" 9.53 cm
14140	VESA 100 mm Plate	Attaches to any Joiner or Male Threaded Adapter (14145)	0.25 lbs 0.11 kg	0.55" 1.4 cm	4.75" 12.07 cm	4.75" 12.07 cm



14139



14140

**FEATURES**

- Easily threads onto a male threaded adapter or joiner using M20 threads
- Holes accommodate up to M6 and 1/4-20 size hardware
- Works great on smaller tablet cradles, docks, and monitors including, but not limited to: Samsung Tab Active2, Gamber-Johnson's NotePad Touch and TabCruzer Mini, Getac's F110, ZX70, UX10, RX10, T800, Panasonic's Toughbook G1, Toughbook L1, and Zebra L10
- Can also be utilized as a base in your mount for a strong base given the wider stance
- Recommend use of Loctite® 9460, 9461, or 9466 on all M20 size threads (Loctite not included)
- Contains VESA 75 mm hole pattern (14139) and VESA 75 mm, 100 mm hole patterns (14140)
- Limited Lifetime Warranty

**ZIRKONA VESA 75 MM DECORATIVE PLATE**

ITEM NO.	DESCRIPTION	PLACEMENT/COMPATIBILITY	WEIGHT	HEIGHT	WIDTH	DEPTH/ DIAMETER
17238	Decorative Plate - VESA 75 mm	Use as a Base Plate or Device Plate	0.25 lbs 0.45 kg	0.75" 1.90 cm	4" 10.16 cm	4" 10.16 cm



**FEATURES**

- Easily threads onto a male threaded adapter or joiner using M20 threads
- Holes accommodate up to M6 and 1/4-20 size hardware
- Works great on smaller tablet cradles, docks, and monitors including, but not limited to: Samsung Tab Active2, Gamber-Johnson's NotePad Touch and TabCruzer Mini, Getac's F110, ZX70, UX10, RX10, T800, Panasonic's Toughbook G1, Toughbook L1, and Zebra L10
- Can also be utilized as a base in your mount for a strong base given the wider stance
- Contours on the base offer a more finished look to your mounting solution
- Base can also be used on the device end
- Recommend use of Loctite® 9460, 9461, or 9466 on all M20 size threads (Loctite not included)
- Contains VESA 75 mm hole pattern
- Limited Lifetime Warranty

**ZIRKONA LIGHT-DUTY WALL MOUNT BASE**



ITEM NO.	DESCRIPTION	PLACEMENT/COMPATIBILITY	WEIGHT	HEIGHT	WIDTH	DEPTH/ DIAMETER
7110-1227	Light-Duty Wall Mount	Attaches to Walls / Accepts Any Joiner or Male Threaded Adapter (14145)	0.7 lbs 0.32 kg	5" 12.70 cm	2.125" 5.40 cm	3" 7.62 cm (includes handle)

**FEATURES**

- Pivot pin features the M20 threads allowing the user to use any joiner or extension pole with threaded adapter making the mount versatile
- Threads on top of pivot pin is created for a set screw for secondary thread locking
- Ratchet handle on front allows for adjustability to raise or turn the pivot pin while still being able to lock down
- Made of anodized aluminum making it a light-weight, clean solution
- Recommend use of Loctite® 9460, 9461, or 9466 on all M20 size threads (Loctite not included)
- Limited Lifetime Warranty

**ZIRKONA UNIVERSAL WALL MOUNT**



ITEM NO.	DESCRIPTION	PLACEMENT/COMPATIBILITY	WEIGHT	HEIGHT	WIDTH	DEPTH/ DIAMETER
7110-1228	Universal Wall Mount	Attaches to Walls / Accepts Any Joiner or Male Threaded Adapter (14145)	0.60 lbs 0.27 kg	3.25" 8.25 cm	1.69" 4.29 cm	3" 7.62 cm

**FEATURES**

- Bracket is gusseted for extra strength
- 3 available mounting holes
- Add an extension, joiner, and adapter plate for a complete solution (Requires 14145 threaded adapter or joiner)
- Black powder coat finish for maximum corrosion resistance
- Recommend use of Loctite® 9460, 9461, or 9466 on all M20 size threads (Loctite not included)
- Limited Lifetime Warranty

**ZIRKONA SEAT RAIL BASE**



ITEM NO.	DESCRIPTION	PLACEMENT/COMPATIBILITY	WEIGHT	HEIGHT	WIDTH	DEPTH/ DIAMETER
7110-1229	Seat Rail	Attaches Inside Passenger Side Seat Rail / Most Seat Rails (does NOT work with powered seats)	1.1 lbs 0.05 kg	1.1" 2.79 cm	2" 5.08 cm	5.88" 14.94 cm

**FEATURES**

- Fits most seat rails to provide additional mounting capabilities for products
- Sturdy steel construction for increased durability
- Pair with telescoping mount (7110-1230) and desired joiner/plate combination for your vehicle mounting needs
- Requires Threaded Adapter (14145)
- A component of Zirkona's interactive, fully-customizable, mounting solution
- Recommend use of Loctite® 9460, 9461, or 9466 on all M20 size threads (Loctite not included)
- Does NOT work with powered seats
- Limited Lifetime Warranty

**ZIRKONA QUICK-RELEASE BASES**



7110-1225



7110-1263

ITEM NO.	DESCRIPTION	PLACEMENT/COMPATIBILITY	WEIGHT	HEIGHT	WIDTH	DEPTH/ DIAMETER
7110-1225	AMPS Quick Release Base	Attaches to Any Flat Surface / Accepts Any Joiner or the Male Threaded Adapter (14145)	0.30 lbs 0.14 kg	1.25" 3.18 cm	N/A	2.5" 6.35 cm
7110-1263	VESA 75 mm Quick Release Base	Attaches to Any Flat Surface / Accepts Any Joiner or the Male Threaded Adapter (14145)	0.60 lbs 0.27 kg	1.75" 4.45 cm	3.5" 8.89 cm	3.5" 8.89 cm

**FEATURES**

- Inner sleeve contains roll pin in order to push, twist, and secure the mount in place before clamping
- Grooves in base help align the roll-pin to help keep sleeve in place even when clamp is open
- Padding inside base creates tension between the sleeve and base to reduce vibration and eliminate rattling
- Constructed of anodized aluminum making it light-weight yet durable
- Can be utilized as a base plate or device plate
- Recommend use of Loctite® 9460, 9461, or 9466 on all M20 size threads (Loctite not included)
- Available in either AMPS/NEC base or VESA 75 mm base
- Limited Lifetime Warranty

**ZIRKONA SUCTION CUP**

ITEM NO.	DESCRIPTION	PLACEMENT/COMPATIBILITY	WEIGHT	HEIGHT	WIDTH	DEPTH/ DIAMETER
7110-1232	Zirkona Suction Cup	Mounts on Windows or Flat Surfaces	0.80 lbs 0.36 kg	2" 5.08 cm	N/A	4.75" 12.07 cm
19753	Zirkona Small Suction Cup	Mounts on windows or flat surfaces	0.40 lbs 0.18 kg	2" 5.08 cm	N/A	3.5" 8.89 cm



**FEATURES**

- Mounts to non-porous surfaces for a quick and temporary mount
- New material is less susceptible to cold and heat
- Simple push and clamp secures the suction cup to the surface
- M20 threads matches to any joiner or the 14145 threaded adapter
- Recommend use of Loctite® 9460, 9461, or 9466 on all M20 size threads (Loctite not included)
- Limited Lifetime Warranty

**ZIRKONA MAGNETIC MOUNT**

ITEM NO.	DESCRIPTION	PLACEMENT/COMPATIBILITY	WEIGHT	HEIGHT	WIDTH	DEPTH/ DIAMETER
7160-1113	Magnetic Base	Mounts to Magnetic Surfaces	0.44 lbs 0.20 kg	1.18" 2.99 cm	2.88" 7.31 cm	2.88" 7.31 cm



**FEATURES**

- Easily mount the magnetic base on any flat metal surface and plane
- Each magnet has 120 lbs (54.43 kg) of pull force for a total of 360 lbs (163.29 kg) of pull force
- Works with the Zirkona product line for light weight cell phones or tablets up to 4 lbs (1.81 kg)
- Works with Zirkona parts to customize your configuration
- Can be used to for temporary mounting of a device
- Constructed of anodized aluminum making it light-weight yet durable
- Has 3 magnets for securing the mounting plate via the NEC hole pattern
- Recommend use of Loctite® 9460, 9461, or 9466 on all M20 size threads (Loctite not included)
- Limited Lifetime Warranty

**ZIRKONA PIPE CLAMP - SMALL 2" (50 MM)**

ITEM NO.	DESCRIPTION	PLACEMENT/COMPATIBILITY	WEIGHT	HEIGHT	WIDTH	DEPTH/ DIAMETER
7110-1223	Zirkona Pipe Clamp - Small 2" (50 mm)	Works on Any Stable Pipe or post Ranging from 0.25" (0.64 cm) to 1" (2.5 cm)	0.25 lbs 0.11 kg	2.38" 6.05 cm	1.5" 3.81 cm	2.5" 6.35 cm



**FEATURES**

- Mounts into tight spaces while providing great strength
- Rubber inserts help to stabilize and reduce vibration
- Works great for mounting a small tablet or smartphone
- Same threads as all Zirkona items making the solution simple to build
- Stainless hardware made for more extreme environments
- Recommend use of Loctite® 9460, 9461, or 9466 on all M20 size threads (Loctite not included)
- Limited Lifetime Warranty

**ZIRKONA DIAMOND PLATE - SMALL**

ITEM NO.	DESCRIPTION	PLACEMENT/COMPATIBILITY	WEIGHT	HEIGHT	WIDTH	DEPTH/ DIAMETER
7110-1226	Diamond Plate	Mounts to Any Flat Surface Vertical or Horizontal	0.11 lbs 0.05 kg	0.82" 2.09 cm	2.43" 6.16 cm	1.31" 3.33 cm



**FEATURES**

- Designed to mount to a flat surface in either vertical or horizontal position
- Great for mounting in locations with limited space
- Comes with an M5 threaded stud mounting plate for surfaces with 3/8" thick material
- M5 threaded stud mounting plate can be removed so that the base can be secured down by itself with a longer hardware (not supplied) or directly in the material
- Recommended to be used to secure small accessory equipment utilizing the Zirkona joiner to forklifts - ex. fans, lights, scanners, cell phones, tablets and more
- Constructed of anodized aluminum making it light-weight yet durable
- Recommend use of Loctite® 9460, 9461, or 9466 on all M20 size threads (Loctite not included)
- Limited Lifetime Warranty

## ZIRKONA BEAM MOUNT



ITEM NO.	DESCRIPTION	PLACEMENT/COMPATIBILITY	WEIGHT	HEIGHT	WIDTH	DEPTH/ DIAMETER
7110-1274	Beam Mount	Clamps to Square Metal Tubes and Posts	0.5 lbs 0.23 kg	2.25" 5.72 cm	2.5" 6.35 cm	5.25" 13.33 cm

### FEATURES

- Four (4) set screws and four bolts to accommodate mounting to virtually any flat surface edge
- Constructed of heavy-duty steel for a strong mounting base
- M20 threads screwed right to base for easy Zirkona solution installation
- Bracket with four (4) PEMs can be turned to accommodate thinner or thicker surfaces
- Set screws dig into the mounting surface creating a stable base for your solution
- Requires 13 mm socket/wrench and 4 mm hex key for installation
- Best suited to work with metal
- Recommend use of Loctite® 9460, 9461, or 9466 on all M20 size threads (Loctite not included)
- Limited Lifetime Warranty

## ZIRKONA SCREW CLAMP



ITEM NO.	DESCRIPTION	PLACEMENT/COMPATIBILITY	WEIGHT	HEIGHT	WIDTH	DEPTH/ DIAMETER
7110-1378	Screw Clamp	Clamps around various tubular shapes and flat edges	"0.45 lbs 0.20 kg"	"3.88" 9.84 cm"	"2" 5.08 cm"	"2.63" 6.67 cm"

### FEATURES

- Mounts to various thickness of posts from 7/8" to 1-3/4" (2.22 cm - 4.45 cm)
- Mounts to flat surfaces up to 1-3/16" thick (3.02 cm) using the optional hardware bag 7110-1013 (sold separately)
- Allows for flexibility in mounting in different position, such as overhead and other locations
- Great solution for a temporary mounting
- Included rubber adhesive pads help grip around smooth surfaces for improved stability
- 1/2" (1.27 cm) hex head allows for further tightening with a wrench, if desired
- Cast aluminum and stainless steel hardware make it ideal for both indoor and outdoor environments
- Recommend use of Loctite® 9460, 9461, or 9466 on all M20 size threads (Loctite not included)
- Limited Lifetime Warranty

## ZIRKONA QUICK-RELEASE BASES



7110-1225



7110-1263

ITEM NO.	DESCRIPTION	PLACEMENT/COMPATIBILITY	WEIGHT	HEIGHT	WIDTH	DEPTH/ DIAMETER
7110-1225	AMPS Quick Release Base	Attaches To Any Flat Surface / Accepts Any Joiner or the Male Threaded Adapter (14145)	0.30 lbs 0.14 kg	1.25" 3.18 cm	N/A	2.5" 6.35 cm
7110-1263	VESA 75 mm Quick Release Base	Attaches To Any Flat Surface / Accepts Any Joiner or the Male Threaded Adapter (14145)	0.60 lbs 0.27 kg	1.75" 4.45 cm	3.5" 8.89 cm	3.5" 8.89 cm

### FEATURES

- Inner sleeve contains roll pin in order to push, twist, and secure the mount in place before clamping
- Grooves in base help align the roll-pin to help keep sleeve in place even when clamp is open
- Padding inside base creates tension between the sleeve and base to reduce vibration and eliminate rattling
- Constructed of anodized aluminum making it light-weight yet durable
- Can be utilized as a base plate or device plate
- Recommend use of Loctite® 9460, 9461, or 9466 on all M20 size threads (Loctite not included) (Not Included)
- Available in either AMPS/NEC base or VESA 75 mm base
- Limited Lifetime Warranty

**ZIRKONA STANDARD JOINERS**

ITEM NO.	DESCRIPTION	PLACEMENT/COMPATIBILITY	WEIGHT	HEIGHT	WIDTH	DEPTH
7110-1234	Small Joiner Holds up to 3 lbs (1.4 kg)	Inserts into any M20 Female Threads including Extensions, Device Plates, and Base Plates	0.25 lbs 0.11 kg	3.62" 9.19 cm	2.75" 6.99 cm	1.26" 3.20 cm
7110-1235	Medium Joiner Holds up to 6 lbs (2.8 kg)	Inserts into any M20 Female Threads including Extensions, Device Plates, and Base Plates	0.45 lbs 0.20 kg	4" 10.16 cm	3.38" 8.59 cm	1.54" 3.91 cm
7110-1236	Large Joiner Holds up to 11 lbs (5.0 kg)	Inserts into any M20 Female Threads including Extensions, Device Plates, and Base Plates	0.95 lbs 0.43 kg	5" 12.7 cm	3.88" 9.86 cm	2.05" 5.21 cm



7110-1235

**FEATURES**

- All axes range of motion in X axis (left/right), Y axis (front/back) and Z axis (up/down)
- Multi-configurable and easily paired with extension tubes of various lengths work to achieve desired reach
- Quick adjust handle for easy adjustment to position the device
- Encapsulated ball design offers theft deterrence
- All metal construction (anodized aluminum) will not deform or degrade
- Small joiner holds up to 3 lbs (1.4 kg)
- Medium Joiner holds up to 6 lbs (2.8 kg)
- Large Joiner holds up to 11 lbs (5.0 kg)
- Recommend use of Loctite® 9460, 9461, or 9466 on all M20 size threads (Loctite not included)
- Limited Lifetime Warranty

**ZIRKONA TWO-DOWN JOINER WITH BRAKE**

ITEM NO.	DESCRIPTION	PLACEMENT/COMPATIBILITY	WEIGHT	HEIGHT	WIDTH	DEPTH
7110-1259	Medium 2-Down Joiner Holds up to 6 lbs (2.8 kg)	Inserts into any M20 Female Threads including Extensions, Device Plates, and Base Plates	0.5 lbs 0.23 kg	4.5" 11.43 cm	3.38" 8.58 cm	1.54" 3.91 cm
7110-1260	Large 2-Down Joiner Holds up to 11 lbs (5.0 kg)	Inserts into any M20 Female Threads including Extensions, Device Plates, and Base Plates	0.95 lbs 0.43 kg	5.5" 13.97 cm	3.88" 9.86 cm	2" 5.08 cm



7110-1259

**FEATURES**

- Two notches (2-down) on each end and 180° from each other help create the “Z” shape for a more flexible solution
- Unique internal braking system allows the user to adjust mount with ease while not having the device fall (weight restrictions apply)
- All axes range of motion in X axis (left/right), Y axis (front/back) and Z axis (up/down)
- Multi-configurable and easily paired with extension tubes of various lengths work to achieve desired reach
- Ultra-smooth movement when positioning your device
- Quick adjust handle for easy adjustment to position the device
- Encapsulated ball design offers theft deterrence
- All metal construction (anodized aluminum) will not deform or degrade
- Medium 2-down joiner holds up to 6 lbs (2.8 kg)
- Large 2-down joiner holds up to 11 lbs (5.0 kg)
- Recommend use of Loctite® 9460, 9461, or 9466 on all M20 size threads (Loctite not included)
- Limited Lifetime Warranty

**ZIRKONA 6" JOINER WITH SWIVEL**

ITEM NO.	DESCRIPTION	PLACEMENT/COMPATIBILITY	WEIGHT	HEIGHT	WIDTH	DEPTH
7110-1407	6" Medium 2-Down Joiner with Center Swivel Holds up to 6 lbs (2.8 kg)	Inserts into any M20 Female Threads including Extensions, Device Plates, and Base Plates	1 lbs 0.45 kg	5" 12.7 cm	2.35" 5.97 cm	8.90" 22.61 cm



**FEATURES**

- Extendable length giving users the ability to create several different configurations
- Both ends swivel to allow for unique mounting positions and flexibility
- Unique internal braking system allows the user to adjust mount with ease while not having the device fall (weight restrictions apply)
- Adapts to various Zirkona bases and plates to offer countless configurations to create an ideal custom mounting solution
- All metal construction (anodized aluminum) will not deform or degrade
- Holds up to 6 lbs (2.8 kg)
- Recommend use of Loctite® 9460, 9461, or 9466 on all M20 size threads (Loctite not included)
- Limited Lifetime Warranty

## ZIRKONA EXTENSIONS



14142

ITEM NO.	DESCRIPTION	PLACEMENT/COMPATIBILITY	WEIGHT	HEIGHT	DEPTH/DIAMETER
14141	2" (50 mm) Extension	Accepts any M20 Male Thread size such as Threaded Adapter (14145) and any Joiner	0.05 lbs 0.02kg	2" 5.1 cm	1" 2.54 cm
14142	4" (100 mm) Extension	Accepts any M20 Male Thread size such as Threaded Adapter (14145) and any Joiner	0.45 lbs 0.20 kg	4" 10.2 cm	1" 2.54 cm
14143	6" (150 mm) Extension	Accepts any M20 Male Thread size such as Threaded Adapter (14145) and any Joiner	0.95 lbs 0.43 kg	6" 15.24 cm	1" 2.54 cm
17463	12" (300 mm) Extension	Accepts any M20 Male Thread size such as Threaded Adapter (14145) and any Joiner	0.5 lbs 0.23 kg	4.5" 11.43 cm	1" 2.54 cm

### FEATURES

- Extends your mount 2" (50 mm), 4" (100 mm), 6" (150 mm) or 12" (300 mm) for better positioning
- Both ends are threaded with M20 threads
- Threads allow for either a joiner or male threaded adapter
- Limited Lifetime Warranty

\*Note: Extensions should be used on base end of mount, not device end as the later would reduce the payload of the joiner

## ZIRKONA DOUBLE MOUNT



ITEM NO.	DESCRIPTION	PLACEMENT/COMPATIBILITY	WEIGHT	HEIGHT	WIDTH	DEPTH
7110-1312	Double Mount	Accepts any M20 Male Thread size such as Threaded Adapter (14145) and any Joiner	0.35 lbs 0.16kg	1.25" 3.18 cm	1.5" 3.81 cm	8" 20.32 cm

### FEATURES

- Two M20 threads are 6.25" (15.88 cm) apart on center
- Works well for either a side-by-side or top-bottom solution
- All-Aluminum construction to help make the solution light-weight
- Gives users the ability to mount two devices on one pole system
- Recommend use of Loctite® 9460, 9461, or 9466 on all M20 size threads (Loctite not included)
- Limited Lifetime Warranty



**ZIRKONA SUPPORT BRACES**

ITEM NO.	DESCRIPTION	PLACEMENT/COMPATIBILITY	WEIGHT	HEIGHT	WIDTH	DEPTH/ DIAMETER
7160-1340	Support Brace - Short	Attaches to Height Adjustable Pole (7110-1230)	1.1 lbs 0.5 kg	N/A	1.5" 3.81 cm	10.3" - 16.3" 26.16 - 41.40 cm
7160-1341	Support Brace - Long	Attaches to Height Adjustable Pole (7110-1230)	1.4 lbs 0.64 kg	N/A	1.5" 3.81 cm	30.38" - 36" 77.17 cm - 91.44 cm



**FEATURES**

- Telescoping design allows for precise length adjustment without drilling into pole
- Small clamp in middle locks the desired length in place
- Larger clamp has a rubber overmold to grip the adjustable pole
- Increases the mounting system rigidity
- Low-profile clamp reduces bulk to mount
- Does NOT work with Gamber-Johnson poles
- Limited Lifetime Warranty

**ZIRKONA HEIGHT-ADJUSTABLE POLE**

ITEM NO.	DESCRIPTION	PLACEMENT/COMPATIBILITY	WEIGHT	HEIGHT	WIDTH	DEPTH
7110-1230	Height-Adjustable Pole	Attaches inside passenger side seat rail / most seat rails (does NOT work with powered seats)	0.85 lbs 0.39 kg	9.25" 23.49 cm	N/A	1.25" 3.17 cm



**FEATURES**

- Wider end accepts the 14145 threaded adapter giving the ability to mount to most base plates
- Expands from 9.25" (23.49 cm) - 15.75" (40cm)
- Pair with Zirkona Seat Rail (7110-1229), choice of joiner and device plate for your vehicle mounting solution (Requires 14145 threaded adapter)
- A component of Zirkona's interactive, fully-customizable, mounting solution
- Recommend use of Loctite® 9460, 9461, or 9466 on all M20 size threads (Loctite not included)
- Limited Lifetime Warranty

## ZIRKONA MALE THREADED ADAPTER



ITEM NO.	DESCRIPTION	PLACEMENT/COMPATIBILITY	WEIGHT	HEIGHT	WIDTH	DEPTH/ DIAMETER
14145	Threaded Adapter	Inserts into Any Base Plate and Extension	0.05 lbs 0.02 kg	1" 2.54 cm	N/A	0.77" 1.96 cm

### FEATURES

- Solid aluminum, fully threaded adapter easily threads into an extension pole, base, or height-adjustable pole
- Adapter is invisible when assembled into a mount giving the mount a clean look
- Constructed of anodized aluminum making it light-weight yet durable
- A required component when using an extension and/or base plate
- Recommend use of Loctite® 9460, 9461, or 9466 on all M20 size threads (Loctite not included)
- Limited Lifetime Warranty

## ZIRKONA TUBE/SLEEVE MOUNT



ITEM NO.	DESCRIPTION	PLACEMENT/COMPATIBILITY	WEIGHT	HEIGHT	WIDTH	DEPTH/ DIAMETER
17467	Tube/Sleeve Mount	Slides ver Any Extension Tube or 1" (2.54 cm) Tube to Add Another Mounting Opportunity or Articulation Point	0.25 lbs 0.11 kg	2.75" 6.98 cm	1.46" 3.70 cm	1.25" 3.18 cm

### FEATURES

- Smoothly slides over any extension tube or 1" (2.54 cm) tube to add an additional device
- Mounts perpendicular to the extension
- Requires at least two (2) 1" (2.54 cm) tubes in order to mount
- Black powder-coated die-cast aluminum for durability
- Recommend use of Loctite® 9460, 9461, or 9466 on all M20 size threads (Loctite not included)
- Limited Lifetime Warranty

## GAMBER-JOHNSON TO ZIRKONA ADAPTER PLATE



ITEM NO.	DESCRIPTION	PLACEMENT/COMPATIBILITY	WEIGHT	HEIGHT	WIDTH	DEPTH/ DIAMETER
7160-1035	Gamber-Johnson to Zirkona Adapter - 3-Hole	Attaches to the 3-Hole Pattern	0.5 lbs 0.23 kg	1.8" 4.5 cm	3" 7.6 cm	3" 7.6 cm

### FEATURES

- Threaded mounting to work with the Zirkona parts
- Three stud mounting to align with the Gamber-Johnson 3-hole pattern
- Great alternative base when going from a rugged laptop to a small rugged or non-rugged tablet
- Pair with 14145 threaded adapter and desired extension, joiner and device plate to create a mini-pedestal on top of a Gamber-Johnson console
- Heavy gauge steel construction for long-term durability.
- Black powdercoat finish for maximum corrosion resistance.
- Mounting hardware provided with adapter
- Recommend use of Loctite® 9460, 9461, or 9466 on all M20 size threads (Loctite not included)
- Limited Lifetime Warranty

**ZIRKONA THREADED PIVOT PIN**

ITEM NO.	DESCRIPTION	PLACEMENT/COMPATIBILITY	WEIGHT	HEIGHT	WIDTH	DEPTH/ DIAMETER
18834	Threaded Pivot Pin	Inserts into any Base Plate and Extension	0.15 lbs 0.07 kg	1.25" 3.18 cm	N/A	2" 5.05 cm



**FEATURES**

- Two M20 threads perpendicular from each other offers a strong, 90° angle to mount
- M5 threads on top of threaded pivot pin to allow for set screw to lock threads instead of Loctite® 9460, 9461, or 9466
- M20 threads attaches to any joiner as well as the 14145 threaded adapter with extension for a customized solution
- Requires the use of the device bracket for installation
- Anodized aluminum for a rust-free mount
- Recommend use of Loctite® 9460, 9461, or 9466 on all M20 size threads (Loctite not included)
- Limited Lifetime Warranty

**RECOMMENDED SOLUTION**

- Seat Rail (7110-1229)
- Threaded Adapter (14145)
- Two-Down Medium Joiner with Brake (7110-1259)
- VESA 75 mm Device Plate (14139)
- Height-Adjustable Pole (7110-1230)
- Threaded Pivot Pin (18834)
- Zirkona Support Brace (7160-1340)

**ZIRKONA GARMIN ADAPTER**

ITEM NO.	DESCRIPTION	PLACEMENT/COMPATIBILITY	WEIGHT	HEIGHT	WIDTH	DEPTH/ DIAMETER
17476	Garmin GPS Adatper	Attaches to any Joiner and Garmin p/n 010-11983-02	0.1 lbs 0.05 kg	1.19" 3.02 cm	N/A	1.16" 2.86 cm



**FEATURES**

- Garmin adapter fixes to the back of most Garmin GPS devices
- M20 threads accommodates either the 14145 threaded adapter or any Zirkona joiner
- Suction cup option needs to be removed for adapter to work
- Set screw on side locks the adapter to the M20 threads
- Constructed of black plastic
- Does NOT include Garmin p/n 010-11983-02
- Limited Lifetime Warranty

**RECOMMENDED SOLUTION**

- Magnetic Base (7160-1113)
- Small Joiner (7110-1234)
- Garmin Adapter (17476)

## ZIRKONA PIVOT JOINT - M20



ITEM NO.	DESCRIPTION	PLACEMENT/COMPATIBILITY	WEIGHT	HEIGHT	WIDTH	DEPTH/ DIAMETER
7110-1327	Pivot Joiner - M20	Inserts into Any Base Plate and Extension	0.1 lbs 0.05 kg	0.75" 1.91 cm	N/A	3.5" 8.89 cm

### FEATURES

- Pivot joint locks every 30° providing a strong mount at whichever angle
- Male M20 threads adapts to any extension or base
- Ratcheting handle can adjust to position handle in desired location
- Works great for a more fixed angle mount
- Requires a base plate and extension in order to be used in mounting solution
- Recommend use of Loctite® 9460, 9461, or 9466 on all M20 size threads (Loctite not included)
- Limited Lifetime Warranty

### RECOMMENDED SOLUTIONS

- Multi-Function Pivot Mount, 2" Extension, AMPS Mounting Plate with Back Plate (7160-1385)
- Multi-Function Pivot Mount, 2" Extension, VESA 75 mm Mounting Plate with Back Plate (7160-1385-01)

## MONGOOSE® XLE INDEPENDENT DISPLAY BRACKET FOR ZIRKONA



ITEM NO.	PLACEMENT/COMPATIBILITY	WEIGHT	HEIGHT	WIDTH	DEPTH/ DIAMETER
7110-1306	Rear pivot portion of Mongoose XLE for Tablet Display with Zirkona	1.8 lbs 0.82 kg	3.5" 8.89 cm	3" 7.62 cm	3.88" 9.34cm

### FEATURES

- Mounts over top of the pivot point of the Mongoose XLE creating a smaller footprint
- M20 threads adapts to a Zirkona Tablet display for use with smaller tablets
- Designed to apply pressure on the motion attachment using a foam pad for vibration dampening
- Motion attachment and tablet display are independent from each other to allow stationary viewing
- Limited Lifetime Warranty

## ZIRKONA WELDED POLE ADAPTER



ITEM NO.	PLACEMENT/COMPATIBILITY	WEIGHT	HEIGHT	WIDTH	DEPTH/ DIAMETER
7110-1326	Any Gamber-Johnson Pedestal System or Use on Pipe Up to 1.75" (4.4 cm) in Diameter	1.2 lbs 0.54 kg	3" 7.62 cm	3" 7.62 cm	3" 7.62 cm

### FEATURES

- Quickly add a second device to a Gamber-Johnson pole system using the Zirkona system
- Two (2) metal clamps and welded design helps ensure strength
- No removal of parts is needed; adapts to existing Gamber-Johnson pedestal mounts or pipe diameter 1.13" to 1.75"
- Cost-effective part when adding a new, secondary device
- Recommend use of Loctite® 9460, 9461, or 9466 on all M20 size threads (Loctite not included)
- Limited Lifetime Warranty

## ZIRKONA WELDED VEHICLE BASE ADAPTER



ITEM NO.	DESCRIPTION	PLACEMENT/COMPATIBILITY	WEIGHT	HEIGHT	WIDTH	DEPTH/ DIAMETER
7110-1325	Welded Vehicle Base Adapter	Any Gamber-Johnson Vehicle Base	1 lbs 0.45 kg	3" 7.62 cm	0.88" 2.24 cm	3" 7.62 cm

### FEATURES

- Easily switch from a Gamber-Johnson pole system to a Zirkona system
- Welded design helps ensure strength in the light-duty pedestal mount
- Gamber-Johnson vehicle base removal is not necessary; cutting down on removal and install time for the rest of the mount
- New or old hardware can be utilized
- Cost-effective part when looking at a new mount
- Recommend use of Loctite® 9460, 9461, or 9466 on all M20 size threads (Loctite not included)
- Limited Lifetime Warranty

## TWO-DOWN SUCTION CUP PHONE MOUNT

ITEM NO.	DESCRIPTION	PLACEMENT	WEIGHT	HEIGHT	WIDTH	DEPTH/ DIAMETER
7170-0856	Phone Mount with Suction Cup	Any Flat, Smooth, Non-Porous Surface	1.02 lbs 0.46 kg	7" 17.78 cm	4.66" 11.84 cm	4.66" 11.84 cm



### FEATURES

- Keep your phone or small device in clear view for GPS or charging your device
- Suction cup has strong grip with the help of a handle to clamp
- Phone cradle holds a wide variety of phones and devices with up to 3.5" (8.89 cm) of expanding clamps
- The medium 2-down joiner with brake allows for easy, one-handed adjustment
- Provides a quick, light-weight and temporary solution for mounting your device
- Includes: (1) Two-down medium joiner with brake, (1) Suction cup, and (1) Phone cradle
- Limited Lifetime Warranty

## 6" FLAT SURFACE PHONE MOUNT

ITEM NO.	DESCRIPTION	PLACEMENT	WEIGHT	HEIGHT	WIDTH	DEPTH/ DIAMETER
7170-0857	Flat Surface Phone Mount	Mounts on Dashes and Other Flat And Stable Surfaces	0.98 lbs 0.44 kg	14.5" 36.83 cm	3" 7.62 cm	3" 7.62 cm



### FEATURES

- Use your dash for a better place to put your phone
- Four (4) simple drilled holes into the dash provide a strong support when accompanied with the backer plate
- Pivot Joint allows for any desired angle
- Phone cradle holds a wide variety of phones and devices with up to 3.5" (8.89 cm) of expanding clamps
- The medium 2-down joiner with brake allows for easy, one-handed adjustment
- 6" (150 mm) extension allows for longer reach
- Includes: (1) Medium 2-down joiner, (1) AMPS Backer Plate, (1) Pivot Elbow, (1) 6" extension, (1) Phone cradle, and (1) AMPS Backer - Plate Hardware Bag
- Limited Lifetime Warranty

## ZIRKONA STANDARD CLAMP PHONE MOUNT

ITEM NO.	DESCRIPTION	PLACEMENT	WEIGHT	HEIGHT	WIDTH	DEPTH/ DIAMETER
7170-0858	Standard Clamp Phone Mount	Use on Round Tubes from 0.5" (1.27 cm) to 1.69" (4.29 cm) in Diameter or Square Posts up to 1.44" (3.66 cm) in Width	0.9 lbs 0.41 kg	9.66" 24.54 cm	3.5" 8.89 cm	3.5" 8.89 cm



### FEATURES

- Standard clamp mounts around posts up to 1.69" (4.29 cm) giving you flexibility on what and where to mount your solution
- Rubber spacers in the camp help provide grip to whatever surface it's in contact with
- Phone Cradle holds a wide variety of phones and devices up to 3.5" (8.89 cm) of expanding clamps
- The medium 2-down joiner with brake allows for easy, one-handed adjustment
- Clamping allows for a clean, no drilling required option for your device
- Includes: (1) Phone Cradle, (1) Medium 2-down joiner, and (1) standard size clamp
- Limited Lifetime Warranty

## ZIRKONA SMALL CLAMP PHONE MOUNT

ITEM NO.	DESCRIPTION	PLACEMENT	WEIGHT	HEIGHT	WIDTH	DEPTH/ DIAMETER
7170-0859	Small Clamp Phone Mount	Works on Any Handlebars, Stable Pipe or Post Ranging from 0.5" (0.64 cm) to 1" (2.5 cm)	0.9 lbs 0.41 kg	8.25" 20.96 cm	3.5" 8.89 cm	3.5" 8.89 cm



### FEATURES

- Small clamp is ideal for handlebars or anywhere space is needed
- Shorter hardware helps keep catch points to a minimum while still holding your device
- Phone cradle holds a wide variety of phones and devices with up to 3.5" (8.89 cm) of expanding clamps
- The medium 2-down joiner with brake allows for easy, one-handed adjustment
- Clamping allows for a clean, no drilling required option for your device
- Includes: (1) Phone Cradle, (1) Medium 2-down joiner, and (1) small size clamp
- Limited Lifetime Warranty

## UNIVERSAL HEADS UP PHONE CRADLE MOUNT



ITEM NO.	DESCRIPTION	PLACEMENT	WEIGHT	HEIGHT	WIDTH	DEPTH/ DIAMETER
7170-0758-01	Heads Up Phone Mount	Phone Cradle Fits Most Smart Phones. Heads Up Display Fits Between Most Docks and Cradles and Clevis.	1.5 lbs 0.68 kg	4.5" 11.43 cm	12.5" 31.75 cm	5" 12.7 cm

### FEATURES

- Mount your phone to the left or right of your tablet or laptop dock for easy reach
- Keeps your phone up and out of the way
- Mounting plate positions between the dock/cradle and the clevis/tablet display using the VESA 75 mm hole pattern
- Slotted holes allow for the bracket and Zirkona mount to be adjusted for different size docks and cradles
- Universal phone cradle uses Zirkona to allow for better positioning to the user using the small short joiner
- Includes: (1) Heads Up Mounting Bracket, (1) Zirkona Female Threaded Adapter, (1) Phone Cradle, (1) medium short joiner, and (1) hardware bag
- Limited Lifetime Warranty on Heads UP Display Bracket
- Limited Lifetime Warranty on Zirkona pieces
- 1 Year Limited Warranty on phone cradle

## ZIRKONA SCREW BASE CELL PHONE HOLDER



ITEM NO.	DESCRIPTION	PLACEMENT	WEIGHT	HEIGHT	WIDTH	DEPTH/ DIAMETER
7160-0995-00	Cell Phone Holder	In Strong Flat Surface, Most Cell Phones and Similar Sized Devices	0.5 lbs 0.2 kg	4.63" 11.76 cm	2.63" - 4.5" 6.68 cm - 11.43 cm	4.38" 11.13 cm

### FEATURES

- Easy to install on a console box
- Features a Zirkona joiner with 360° rotation so you can position the phone to any viewing angle
- Phone cradle expands to 3.5" (8.9 cm)
- Foldable legs provide extra support for your phone
- One button quick release, no need to expand the cradle sides with your hands
- Works in either portrait or landscape orientation
- Phone cradle can be easily removed from the joiner and base, and be attached to any Zirkona mounting bracket
- Fits most smartphones including:
  - Apple iPhone: 6s, 6s Plus, 7, 7 Plus, 8, 8 Plus, X, XS, 11, 11Pro, 11 Pro Max, 12, 12 Pro, 12 Pro Max, 13, 13 Pro, 13 Pro Max, 14, 14 Pro, 14 Pro Max (includes SE versions)
  - Samsung Galaxy: Note 8, Note 8 Plus, Note 9, S7, S8, S9, S10, S10+, S20, S20 Ultra, A8, A8 Plus, J2, S20, S20 Ultra, S21, S21 Ultra, S22, S22 Ultra, S23, S23 Ultra
  - LG: V30, G6
  - Google: Pixel 2, Pixel 2XL, Pixel 3, Pixel 3XL, Pixel 3a, Pixel 3a XL, Pixel 4,, Pixel 4XL, Pixel 4a, Pixel 5, Pixel 6, Pixel 6 Pro, Pixel 7, Pixel 7 Pro
  - HTC: U11
- Limited Lifetime Warranty

## ZIRKONA MAGNETIC BASE CELL PHONE HOLDER



ITEM NO.	DESCRIPTION	PLACEMENT	WEIGHT	HEIGHT	WIDTH	DEPTH/ DIAMETER
7160-0996-00	Cell Phone Holder	Any Magnetic Surface	0.5 lbs 0.2 kg"	4.63" 11.76 cm	2.63" - 4.5" 6.68 cm - 11.43 cm	4.38" 11.13 cm

### FEATURES

- Handsfree display for small handhelds
- Easy to install on a console box
- Powerful neodymium magnet has 105 lbs of pull force so your phone will stay in place
- Features a Zirkona joiner with 360° rotation so you can position the phone to any viewing angle
- Phone cradle expands to 3.5" (8.9 cm)
- Foldable legs provide extra support for your phone
- One button quick release, no need to expand the cradle sides with your hands
- Works in either portrait or landscape orientation
- Phone cradle can be easily removed from the joiner and base, and be attached to any Zirkona mounting bracket
- Fits most smartphones including:
  - Apple iPhone: 6s, 6s Plus, 7, 7 Plus, 8, 8 Plus, X, XS, 11, 11Pro, 11 Pro Max, 12, 12 Pro, 12 Pro Max, 13, 13 Pro, 13 Pro Max, 14, 14 Pro, 14 Pro Max (includes SE versions)
  - Samsung Galaxy: Note 8, Note 8 Plus, Note 9, S7, S8, S9, S10, A8, A8 Plus, J2, S20, S20 Ultra, S21, S21 Ultra, S22, S22 Ultra, S23, S23 Ultra
  - LG: V30, G6
  - Google: Pixel 2, Pixel 2XL, Pixel 3, Pixel 3XL, Pixel 3a, Pixel 3a XL, Pixel 4,, Pixel 4XL, Pixel 4a, Pixel 5, Pixel 6, Pixel 6 Pro, Pixel 7, Pixel 7 Pro
  - HTC: U11
- Limited Lifetime Warranty

## ZIRKONA MEDIUM JOINER WITH TWO ROUND PLATES

ITEM NO.	DESCRIPTION	PLACEMENT/COMPATIBILITY	WEIGHT	HEIGHT	WIDTH	DEPTH/ DIAMETER
7160-0993	Medium Joiner with Two Round Plates	Mounts To Any Flat and Stable Surface. May Require Drilling. Holds Devices with AMPs or NEC.	0.63 lbs 0.29 kg	4.75" 12.06 cm	2.25" 5.72 cm	2.25" 5.72 cm



### FEATURES

- All axes range of motion in X axis (left/right), Y axis (front/back) and Z axis (up/down)
- Quick adjust handle for easy adjustment to position device
- Ships assembled and glued
- Anodized aluminum with black finish making it lightweight but durable
- Maximum weight limit: 6.0 lbs (2.8 kg) in a vibration/mobile environment or 33 lbs (15 kg) in a static/no vibration environment
- Includes: (1) Medium Joiner and (2) AMPS Round Plates
- May require drilling
- Limited Lifetime Warranty

## ZIRKONA MEDIUM JOINER WITH TWO VESA 75 MM MOUNTING PLATES

ITEM NO.	DESCRIPTION	PLACEMENT/COMPATIBILITY	WEIGHT	HEIGHT	WIDTH	DEPTH/ DIAMETER
7160-0865	Medium Joiner with Two VESA 75 mm Plates	Mounts To Any Flat and Stable Surface. May Require Drilling. Holds Devices with VESA 75 mm Hole Pattern.	0.80 lbs 0.36 kg	5.75" 14.61 cm	4.88" 12.40 cm	4.88" 12.40 cm



### FEATURES

- All axes range of motion in X axis (left/right), Y axis (front/back) and Z axis (up/down)
- Quick adjust handle for easy adjustment to position device
- Ships assembled and glued
- Anodized aluminum with black finish making it lightweight but durable
- Maximum weight limit: 6.0 lbs (2.8 kg) in a vibration/mobile environment or 33 lbs (15 kg) in a static/no vibration environment
- Includes: (1) Medium Joiner and (2) VESA 75 mm Plates
- May require drilling
- Limited Lifetime Warranty

## ZIRKONA MEDIUM JOINER 2" (50 MM) WITH AMPS AND VESA 75 MM PLATES

ITEM NO.	DESCRIPTION	PLACEMENT/COMPATIBILITY	WEIGHT	HEIGHT	WIDTH	DEPTH/ DIAMETER
7160-0779	Medium Joiner 2" with AMPS and VESA 75 mm Plates	AMPS Plates Mount To Any Flat and Stable Surface. May Require Drilling. Holds Devices with VESA 75 mm Hole Pattern.	0.75 lbs 0.34 kg	6.5" 16.51 cm	4.88" 12.40 cm	4.88" 12.40 cm



### FEATURES

- All axes range of motion in X axis (left/right), Y axis (front/back) and Z axis (up/down)
- Extension tube for extra height off mounting surface
- Quick adjust handle for easy adjustment to position device
- Ships assembled and glued
- Anodized aluminum with black finish making it lightweight but durable
- Maximum weight limit: 6.0 lbs (2.8 kg) in a vibration/mobile environment or 33 lbs (15 kg) in a static/no vibration environment
- Includes: (1) Medium Joiner, (1) VESA75 mm Plate, (1) AMPS Round Plate, (1) Threaded Adapter, and (1) 2" (50 mm) extension
- AMPS round mounting plate provides two standard mounting hole patterns; AMPS and NEC
- Device plate is VESA 75 mm
- May require drilling
- Limited Lifetime Warranty

## ZIRKONA LARGE JOINER TABLET DISPLAY GJ CONSOLE MOUNT



ITEM NO.	DESCRIPTION	PLACEMENT/COMPATIBILITY	WEIGHT	HEIGHT	WIDTH	DEPTH/ DIAMETER
7160-1671	Tablet Display mount for GJ Console	Mounts to the three-hole pattern on GJ consoles	1.9 lbs 0.86 kg	10.5" 26.67 cm	3" 7.62 cm	3" 7.62 cm

### FEATURES

- All-in-one glued solution for easier mount selection
- Fastens to GJ console top plates giving this mount a drill-free option using the three-hole pattern
- Large 2 down joiner provides a wide range of motion for the tablet with great strength
- VESA 75mm mounting plate mounts most tablet cradles
- Extension offers greater height for easier visibility while not causing front windshield viewing issues
- Limited Lifetime Warranty

## ZIRKONA MULTI-FUNCTION PIVOT MOUNTS



7160-1385

ITEM NO.	DESCRIPTION	WEIGHT	HEIGHT	WIDTH	DEPTH/ DIAMETER
7160-1385	Tablet Display mount for GJ Console	1.9 lbs 0.86 kg	10.5" 26.67 cm	3" 7.62 cm	3" 7.62 cm
7160-1385-01	2" VESA 75mm Mount	1.40 lbs 0.63 kg	3" 7.62 cm	3" 7.62 cm	8.85" 22.48 cm
7160-1385-02	4" AMPS Mount	1.40 lbs 0.63 kg	3" 7.62 cm	3" 7.62 cm	0.85" 27.56 cm
7160-1385-03	4" VESA 75mm Mount	1.50 lbs 0.68 kg	3" 7.62 cm	3" 7.62 cm	10.85" 27.56 cm
7160-1385-04	6" AMPS Mount	1.50 lbs 0.68 kg	3" 7.62 cm	3" 7.62 cm	12.9" 32.77 cm
7160-1385-05	6" VESA 75mm Mount	1.50 lbs 0.68 kg	3" 7.62 cm	3" 7.62 cm	12.9" 32.77 cm

### FEATURES

- Reduce the risk of damaging the dash, help disperse the weight of the device and add extra reinforcement with the included back plate
- Small form factor to secure light weight devices up to 6 lbs at full horizontal extension
- Push and twist quick release base and multiple quick adjust handles in order to optimize device position and provide easy removal
- Utilize as a drilled solution to mount virtually anywhere
- Adapts to Gamber-Johnson OEM specific no drilling required options to perfectly align with your mounting needs
- Includes AMPs and NEC mounting hole patterns to accommodate countless docks, cradles and other peripherals
- Limited Lifetime Warranty



# MAXIMUM PAYLOAD CAPACITY

Determining the correct size joiner for your set up is essential for designing the perfect mounting solution for your needs. Each joiner has a specified weight rating, in both static and vibration environments, to help ensure your device will mount as intended and standup in harsh environments for the long haul. To learn more about our entire Zirkona offering visit [gamberjohnson.com/Zirkona](http://gamberjohnson.com/Zirkona).



	Small Joiner	Medium Joiner	Large Joiner	Medium 2-Down Joiner	Large 2-Down Joiner	Zirkona 6" Joiner with Swivel
	Item No. 7110-1234	Item No. 7110-1235	Item No. 7110-1236	Item No. 7110-1259	Item No. 7110-1260	Item No. 7110-1407
VIBRATION ENVIRONMENT	Holds up to 3 lbs / 1.4 kg	Holds up to 6 lbs / 2.8 kg	Holds up to 11 lbs / 5.0 kg	Holds up to 6 lbs / 2.8 kg	Holds up to 11 lbs / 5.0 kg	Holds up to 6 lbs / 2.8 kg
STATIC ENVIRONMENT	Holds up to 22 lbs / 10 kg	Holds up to 33 lbs / 15 kg	Holds up to 55 lbs / 25 kg	Holds up to 33 lbs / 15 kg	Holds up to 55 lbs / 25 kg	Holds up to 33 lbs / 15 kg

- **Warning:** Extension tube will lower the overall payload rating of the joiner. The longer the extension pole, the lower the overall rating for the joiner.
  - Lower the maximum payload by 20% for every 2" (50 mm) of extension tube.
  - **Example:** 6" (150 mm) extension = reduce maximum payload by 60%
- **Note:** Neither the 12" (300 mm) tube nor the small joiner should be used for mounting TV screens.





# ACCESSORIES

## CUSTOMIZATION FOR YOUR MOBILE WORKSTATION

---

Choose from a wide variety of console and vehicle accessories to support your specific workstation needs. From mic clips to several armrest and dash mount options, Gamber-Johnson has the right product available to aid in increased productivity and optimal comfort.



**1** ACCESS CAMERA ON PHONE



**2** LOCATE AND SCAN QR CODE



**3** CLICK LINK PROVIDED BY QR SCAN



**4** VIEW OUR PRODUCTS ONLINE



## 2021+ FORD F-150 TOP OF DASH MOUNT



ITEM NO.	PLACEMENT	WEIGHT	HEIGHT	WIDTH	DEPTH
7160-1724	On the OEM dash	7.5 lbs 3.4 kg	4" 10.16 cm	15" 38.1 cm	14" 35.56 cm

### FEATURES

- Easily mounts to the OEM dash with no drilling required
- Three mounting locations with AMPS hole pattern allow for flexibility of device configuration
- Logo cut-out maintains clear sound from the OEM on-dash speaker
- Vehicle specific design provides a seamless fit to the OEM dash
- Dash Mount design retains dash pocket for additional storage and mounting space
- Maximum weight capacity is 4 to 6 lbs per mounting location
- Limited Lifetime Warranty

## F-SERIES TOP OF DASH MOUNT



ITEM NO.	PLACEMENT	WEIGHT	HEIGHT	WIDTH	DEPTH
7160-1587	On the OEM dash of the 2015-2020 Ford F-150, 2017+ Ford F-250-550	6.9 lbs 3.13 kg	3.81 in 9.68 cm	11.5 in 29.21 cm	15.45 in 39.24 cm

### FEATURES

- Easily mounts to the OEM dash with no drilling required
- Three mounting locations with AMPS hole pattern allow for flexibility of device configuration
- Logo cut-out maintains clear sound from the OEM on-dash speaker
- Vehicle specific design provides a seamless fit to the OEM dash
- Dash mount pocket provides additional storage and mounting space
- Maximum weight capacity is 4 to 6 lbs per mounting location
- Limited Lifetime Warranty

## RAM TOP OF DASH MOUNT



ITEM NO.	PLACEMENT	WEIGHT	HEIGHT	WIDTH	DEPTH
7160-1657	On the OEM dash of the 2019+ RAM 1500 (New Body Style) and 2021+ RAM 2500-5500 (New Body Style)	3 lbs 1.36 kg	3 in 7.62 cm	11 in 27.94 cm	7.5 in 19.05 cm

### FEATURES

- Designed to mount small devices such as cell phones and small tablets (up to 10") at an optimal viewing height
- Easily mounts to the OEM dash with no drilling required
- Three mounting locations with AMPS hole pattern allow for flexibility of device configuration
- Vehicle specific design provides a seamless fit to the OEM dash
- Side cut-out provides access to the 12V port located in the pocket of the dash
- Maximum weight capacity is 4 to 6 lbs per mounting location
- Note: Not compatible with optional 12 inch Uconnect screen
- Limited Lifetime Warranty

## TOP OF DASH MOUNTING BRACKET



ITEM NO.	DESCRIPTION	WEIGHT	HEIGHT	WIDTH	DEPTH
7160-1680	Top of Dash Mounting Bracket	.5 lb .23 kg	2.25" 5.72 cm	7.21" 18.31 cm	1.5" 3.81 cm

### FEATURES

- Easily mounts a radio to the F-Series Top of Dash Mount (7160-1587) and RAM Top of Dash Mount (7160-1657)
- Slotted design fits a variety of radio models
- Fits radios with a width of 6.75" and 7"
- Constructed of steel and black powder coated for long-term durability
- Limited Lifetime Warranty

## AUX 12V KNOCKOUT FILLER PANEL



ITEM NO.	DESCRIPTION	WEIGHT	HEIGHT	WIDTH	DEPTH
3130-0361	2"- 3 Knockout AUX 12v Power Outlet Filler Panel	0.20 lbs 0.09 kg	0.075" 0.2 cm	8.7" 22.1 cm	2.0" 5.1 cm
19954	2"- 4 Knockout AUX 12v Power Outlet Filler Panel	0.20 lbs 0.09 kg	0.075" 0.2 cm	8.7" 22.1 cm	2.0" 5.1 cm

### FEATURES

- Mounts to any MCS Console Box
- Compatible with the AUX 12v Power Outlet (7160-0063), not included

**CONSOLE BOX FILLER PANELS**

ITEM NO.	DESCRIPTION	PLACEMENT	WEIGHT	HEIGHT	WIDTH	DEPTH
3130-0152	1/2" blank filler panel	On top of any console box	0.10 lbs 0.04 kg	0.50" 1.3 cm	8.7" 22.1 cm	0.075" 0.2 cm
15130	3/4" blank filler panel	On top of any console box	0.15 lbs 0.06 kg	0.75" 109 cm	8.7" 22.1 cm	0.075" 0.2 cm
3130-0153	1.0" blank filler panel	On top of any console box	0.20 lbs 0.09 kg	1.0" 2.5 cm	8.7" 22.1 cm	0.075" 0.2 cm
18492	1.5" blank filler panel	On top of any console box	0.17 lbs 0.08 kg	1.5" 3.81 cm	8.7" 22.1 cm	0.075" 0.2 cm
3130-0154	2.0" blank filler panel	On top of any console box	0.30 lbs 0.1 kg	2.0" / 5 cm	8.7" 22.1 cm	0.075" 0.2 cm
18901	2.5" blank filler panel	On top of any console box	0.35 lbs 0.16 kg	2.5" 6.35 cm	8.7" 22.1 cm	0.075" 0.2 cm
3130-0155	3.0" blank filler panel	On top of any console box	0.40 lbs 0.2 kg	3.0" 7.6 cm	8.7" 22.1 cm	0.075" 0.2 cm
3130-0156	4.0" blank filler panel	On top of any console box	0.50 lbs 0.2 kg	4.0" 10.2 cm	8.7" 22.1 cm	0.075" 0.2 cm



3130-0156

**FEATURES**

- Fills space in console boxes not occupied by equipment
- Limited Lifetime Warranty

**CIGARETTE LIGHTER ADAPTER KIT**

ITEM NO.	DESCRIPTION	PLACEMENT	WEIGHT	HEIGHT	DIAMETER
7160-0063	Cigarette Lighter Adapter Kit	On the side of any Console Box or with 2.0" Cigarette Knockout Filler Panel (3130-0361)	0.05 lbs 0.02 kg	2.5" 6.4 cm	1.12" 2.8 cm



**FEATURES**

- KIT INCLUDES one (1) RoHS compliant 12 volt receptacle, wire kit and cap
- Limited Lifetime Warranty

**ROCKER SWITCH/DUAL USB PORT KNOCKOUT FILLER PANELS**

ITEM NO.	DESCRIPTION	PLACEMENT	WEIGHT	HEIGHT	WIDTH	DEPTH
15082	3 Rocker Switch/Dual Usb Port and 3 Cigarette Knockout Panel	On any Console Box	0.36 lbs 0.2 kg	2.0" 5.1 cm	8.7" 22.1 cm	0.08" 0.2 cm
15083	6 Rocker Switch/Dual Usb Port Knockout Panel		0.36 lbs 0.02 kg	2.0" 5.1 cm	8.7" 22.1 cm	0.08" 0.2 cm



15082



15083

**FEATURES**

- Knockouts work with rocker switches (7160-0516 or 7160-0517), cigarette receptacle (7160-0063) or dual USB port (15371)
- Knockout panels ship without holes knocked out
- Limited Lifetime Warranty

**OFFSET ADAPTER BRACKET**

ITEM NO.	DESCRIPTION	PLACEMENT	WEIGHT	HEIGHT	WIDTH	DEPTH
7160-0872	Offset Adapter Bracket	Compatible with many items including the Dodge Charger, Ford PI Utility, and Chevy	1.3 lbs 0.6 kg	6.5" 16.5 cm	5.0" 12.7 cm	0.75" 1.9 cm
7160-1015	9.5" Offset Adapter Bracket	Tahoe Close-to-Dash Mounts, and Ford PI Utility and Sedan On-Dash Mount				



7160-0872



7160-1015

**FEATURES**

- Mounts to the Gamber-Johnson Clevis in the VESA 75 mm hole pattern with 4 PEM studs in plate
- Black powder coat finish for maximum corrosion resistance
- Hardware provided for mounting plate
- Using the VESA 75 mm pattern, can adjust device 1" to 2" (2.5 to 5.1 cm) above the Clevis
- Using the Gamber-Johnson hole pattern, can adjust device 1" to 3" (2.5 to 7.6 cm) above the Clevis
- Limited Lifetime Warranty

## STANDARD LOCKBOX ARMRESTS



7160-1000



7170-0607-01

ITEM NO.	DESCRIPTION	WEIGHT	WIDTH	HEIGHT	DEPTH
7160-1000	Armrest Only	9.9 lbs 4.5 kg	6.5" 16.5 cm	10.35" 26.3 cm	10.8" 27.4 cm
7170-0607-01	Armrest with Vertical Surface Mount	9.9 lbs 4.5 kg	6.5" 16.5 cm	11.5" 29.3 cm	10.8" 27.4 cm
7170-0607-02	Armrest with Short Lower Pole (DS-LOWER-5)	9.9 lbs 4.5 kg	6.5" 16.5 cm	10.5" 26.7 cm	10.8" 27.4 cm
7170-0607-03	Armrest with Tall Lower Pole (DS-LOWER-7)	9.9 lbs 4.5 kg	6.5" 16.5 cm	12.5" 31.8 cm	10.8" 27.4 cm

### COMMON FEATURES

- Black powder coat finish for maximum corrosion resistance
- Heavy gauge steel construction for long-term durability
- Convenient flip-up lockbox and armrest
- Flip-up lid allows for access to storage area
- Lid has latch-lock combination with easy latching
- Locking is done with barrel key
- Armrest pad adjusts about 1" backwards and 2" forward
- Armrest pad slides over latch - lock mechanism to help conceal it
- Interior storage area lined with padding to protect items and reduce noise
- Limited Lifetime Warranty

## ARMRESTS | ACCESSORIES

## BREAKAWAY LOCKBOX ARMRESTS



7160-1017



ITEM NO.	DESCRIPTION	WEIGHT	WIDTH	HEIGHT	DEPTH
7160-1017	Armrest Only	10.9 lbs 4.9 kg	6.5" 16.5 cm	11.4" 29.0 cm	10.8" 27.4 cm
7170-0608-01	Armrest with Vertical Surface Mount	12.2 lbs 5.5 kg	6.5" 16.5 cm	12.6" 32.1 cm	10.8" 27.4 cm
7170-0608-02	Armrest with Short Lower Pole (DS-LOWER-5)	11.9 lbs 5.4 kg	6.5" 16.5 cm	11.6" 29.5 cm	10.8" 27.4 cm
7170-0608-03	Armrest with Tall Lower Pole (DS-LOWER-7)	12.2 lbs 5.5 kg	6.5" 16.5 cm	13.6" 34.6 cm	10.8" 27.4 cm

### COMMON FEATURES

- Black powder coat finish for maximum corrosion resistance
- Heavy gauge steel construction for long-term durability
- Convenient flip-up lockbox and armrest
- Lockbox and armrest swivels 100° from driver
- Flip-up lid allows for access to storage area
- Lid has latch-lock combination with easy latching
- Locking is done with barrel key
- Armrest pad adjusts about 1" backwards and 2" forward
- Armrest pad slides over latch - lock mechanism to help conceal it
- Interior storage area lined with padding to protect items and reduce noise
- Limited Lifetime Warranty

## INTERNAL ARMREST



ITEM NO.	PLACEMENT	WEIGHT	WIDTH	HEIGHT	DEPTH
7110-1001	Inside rear of console box	6.30 lbs 2.86 kg	9.25" 23.5 cm	10" 25.4 cm	5.25" 13.34 cm

### FEATURES

- Internal mounting position of the armrest provides additional clearance in the rear of the console box when weapons are mounted to the passenger partition
- Sleek, padded armrest provides a comfortable solution for both the driver and the passenger
- Armrest filler plate uses 2.5" (6.35cm) of mounting space
- Includes a faceplate allowing the gap underneath the armrest to be covered
- Black powdercoat finish for maximum corrosion resistance

**EXTERNAL PRINTER MOUNT ARMREST**

ITEM NO.	PLACEMENT	WEIGHT	WIDTH	HEIGHT	DEPTH
<b>7160-0430</b>	Outside rear of console box	11.50 lbs 5.2 kg	14" 35.6 cm	5.25" 13.3 cm	11.6" 29.5 cm



**FEATURES**

- Compatible with the Brother PocketJet 7 Series and the PrintekMobile Interceptor 80
- Armrest flips up when not in use, saving space in the mobile workstation
- The printer mount lid latches shut and can be used with a paddle lock for added security
- Cable strain relief protects connector interface on the printer engine from damage
- Indicator lights and on/off button are easy to see and accessible when the cover is closed

**MCS EXTERNAL BREAK-AWAY ARMREST**

ITEM NO.	PLACEMENT	WEIGHT	WIDTH	HEIGHT	DEPTH
<b>7160-0524</b>	Outside rear of console box	6.5 lbs 2.95 kg	10" 25.4 cm	5.25" 13.34 cm	9.25" 23.5 cm



**FEATURES**

- Armrest pad slides forwards 2" for a more comfortable armrest position
- Armrest swivels 100° from the driver to help minimize injury to the driver when in a side impact situation
- Both the slide and swivel offer an adjustable tension feature
- Sleek, padded armrest flips up for convenience

**VEHICLE SPECIFIC EXTERNAL ARMREST**

ITEM NO.	PLACEMENT	WEIGHT	WIDTH	HEIGHT	DEPTH
<b>7160-0429</b>	Outside rear of console box	6.10 lbs 2.77 kg	10.25" 26.04 cm	5.25" 13.34 cm	10" 25.4 cm



**FEATURES**

- Armrest flips up when not in use to maximize work space
- Padded armrest for optimal comfort
- Easily attaches to any Gamber-Johnson vehicle specific console box with no drilling required

**HEAVY-DUTY ARMREST**

ITEM NO.	PLACEMENT	HEIGHT ADJUSTMENT	WEIGHT	HEIGHT	WIDTH	DEPTH
<b>MCS-ARMREST</b>	Regular Armrest with 9" Lower Tube	2.5" (6.4 cm) Adjustment Above the Lip of Lower Tube	6.10 lbs 2.8 kg	11.5" 29.2 cm	5.25" 13.3 cm	10.0" 25.4 cm
<b>MCS-ARMREST5</b>	Regular Armrest with 5" Lower Tube	1.6" (4.1 cm) Adjustment Above the Lip of Lower Tube	5.5 lbs 2.5 kg	8.15" 14 cm	5.25" 13.3 cm	10.0" 25.4 cm
<b>7160-0525</b>	Break Away Armrest with 9" Lower Tube	2.5" (6.4 cm) Adjustment Above the Lip of Lower Tube	7.0 lbs 3.2 kg	11.5" 29.2 cm	5.25" 13.3 cm	10.0" 25.4 cm



MCS-ARMREST5



7160-0525

**COMMON FEATURES**

- Attaches to any console box top plate, the MCS-ARMREST5 is recommended for the Dodge Charger vehicle
- Sturdy design for additional support
- Height adjustable
- Padded armrest flips up for convenience
- Limited Lifetime Warranty

**BREAK AWAY ARMREST FEATURES**

- Armrest pad slides forwards 2" (5.1 cm) for a comfortable armrest position
- Armrest swivels 100° from the driver to help minimize injury to the driver when in a side impact situation
- Both the slide and the swivel offer an adjustable tension feature

## BROTHER ARMREST PRINTER MOUNT



ITEM NO.	PLACEMENT	HEIGHT ADJUSTMENT	WEIGHT	HEIGHT	WIDTH	DEPTH
7160-0006	On top of any Console Box Top Plate or any Flat Stable Surface	1.6" (4.1 cm) Adjustment Above Lip of Lower Tube	11.25 lbs 5.1 kg	15.0" - includes 5" pole 38.1 cm - includes 12.7 cm pole	5.5" 14 cm	11.6" 29.5 cm

### FEATURES

- Convenient flip-up armrest and printer mount all in one
- For use with the following Brother printers: PocketJet 200, 3, 6, 7, II, 3 Plus, 6 Plus, 7 and 7 Plus (NiMH battery only)
- Mount holds printer and paper roll in separate lockdown trays
- Paper roll is enclosed to protect from dirt and dust
- The cover latches shut and can be used with a padlock for extra security
- Indicator lights and on/off button are easy to see and accessible when the cover is closed
- Paper deflector prevents paper from curling up and jamming
- Cable strain relief protects connector interface on the printer engine from damage
- Printer can be easily removed from the mount for use outside of the vehicle
- Paper feeds out the side towards the driver (paper and printer not included)
- Limited Lifetime Warranty

## INTERNAL MOUNT PRINTER ARMREST



ITEM NO.	PLACEMENT	WEIGHT	HEIGHT	WIDTH	DEPTH
7160-1553	Internal Printer Armrest	11.50 lbs. 5.2 kg	14.0" 35.6 cm	5.25" 13.3 cm	11.6" 29.5 cm

### FEATURES

- Designed to accommodate the following Brother printers: PocketJet 200, PocketJet 3, PocketJet 6, PocketJet 7, PocketJet II, PocketJet 3 Plus, and PocketJet 6 Plus (NiMH battery only)
- Internal mount creates clearance at back of the console for easy retrieval of weapons or equipment
- Convenient flip-up armrest and printer mount all in one
- Mount holds printer and paper roll in separate locked trays
- Indicator lights and on/off button are easily visible and accessible when the cover is closed
- Paper and printer not included
- Limited Lifetime Warranty

## UNIVERSAL HEAVY-DUTY CUPHOLDER (DOUBLE)



ITEM NO.	PLACEMENT	WEIGHT	HEIGHT	WIDTH	DEPTH
7160-0847	Attaches to Pre-Drilled Holes on either end of any Console Box	2.8 lbs 1.3 kg	3.2" 8.1 cm	8.75" 22.2 cm	4.5" 11.4 cm

### FEATURES

- Holds two cups and compatible with most cup sizes
- No drilling is required
- Limited Lifetime Warranty

## INTERNAL MOUNTED CUPHOLDER (DOUBLE)



ITEM NO.	PLACEMENT	WEIGHT	HEIGHT	WIDTH	DEPTH
7160-0846	Inserts into any Console Box	0.5 lbs 0.2 kg	4.5" 11.4 cm	8.63" 21.9 cm	3.4" 8.6 cm

### FEATURES

- Holds two cups; compatible with most cup sizes
- No drilling is required
- Limited Lifetime Warranty

## DUAL USB PORT



ITEM NO.	DESCRIPTION	PLACEMENT	WEIGHT	HEIGHT	WIDTH	DEPTH
15371	Dual USB Port (Two 2.1 amp Ports)	With Rocker Switch/Dual USB Port Filler Panels (15082 or 15083)	0.25 lbs 0.1 kg	1.8" 4.6 cm	1.0" 2.5 cm	1.7" 4.4 cm

### FEATURES

- Quick and easy way to recharge electronic devices in a vehicle
- Output: 5 VDC, 4.2 AMPS total / Input: 11-16 VDC
- Lifetime Limited Warranty



**KUSSMAUL DATA PORT/MICROPHONE EXTENSION RJ45 MODULE**

ITEM NO.	DESCRIPTION	PLACEMENT	WEIGHT	HEIGHT	WIDTH	DEPTH
16649	Standard RJ 45 Connection	Standard Switch Knockout	0.25 lbs 0.1 kg	1.7" 4.3 cm	1.0" 2.5 cm	1.7" 4.4 cm



**FEATURES**

- Works for a data port or microphone extension
- Warranty by Kussmaul Electronics

**KUSSMAUL AUTO MINI BATTERY VOLTAGE DISPLAY MODULE**

ITEM NO.	DESCRIPTION	PLACEMENT	WEIGHT	HEIGHT	WIDTH	DEPTH
16650	Display Voltage in a Digital Format	Standard Switch Knockout	0.25 lbs 0.1 kg	1.7" 4.3 cm	1.0" 2.5 cm	1.7" 4.4 cm



**FEATURES**

- Works for monitoring a second battery voltage or main battery in a remote location
- Displays voltage in a digital format to 1 decimal point
- Input voltage 10-15 volts DC / current draw is 0.04 AMPS max
- Warranty by Kussmaul Electronics

**ROCKER SWITCHES**

ITEM NO.	DESCRIPTION	PLACEMENT	WEIGHT	HEIGHT	WIDTH	DEPTH
7160-0516	Rocker Switch (ON/OFF/ON) - 4 Contacts (Ground, Input, 2 Outputs)	With Rocker Switch Filler Panels (15082 or 15083)	0.09 lbs 0.04 kg	2.05" 5.2 cm	0.96" 2.4 cm	1.93" 4.9 cm
7160-0517	Rocker Switch (ON/OFF) - 3 Contacts (Ground, Input, Output)	With Rocker Switch Filler Panels (15082 or 15083)	0.09 lbs 0.04 kg	2.05" 5.2 cm	0.96" 2.4 cm	1.93" 4.9 cm
7160-0540	Rocker Switch (Momentary ON/OFF) - 2 Contacts (Input and Output)	With Rocker Switch Filler Panels (15082 or 15083)	0.09 lbs 0.04 kg	2.05" 5.2 cm	0.96" 2.4 cm	1.93" 4.9 cm



**FEATURES**

- Red LED light is visible when switch is in the "ON" position
- Rated for 20 AMPS and 12 volts DC
- Limited Lifetime Warranty

**POWER DISTRIBUTION BLOCK**

ITEM NO.	DESCRIPTION	PLACEMENT	DRILLING REQUIRED	WEIGHT	HEIGHT	WIDTH	DEPTH
7160-0110	6 Circuit Power Distribution Block	Can be positioned in any convenient location	Yes	0.42 lbs 0.02 kg	1.5" 3.8 cm	3.63" 9.2 cm	3.30" 8.4 cm



**FEATURES**

- 6 circuit block without a negative bus
- Tin-plated copper busses and fuse clips give 30 AMPS rating per circuit
- Accepts ATO and ATC fast acting blade fuses
- Maximum amperage per circuit: 30 / maximum amperage per block: 100 / maximum voltage rating: 32 volts DC
- Lifetime Limited Warranty

**POWER DISTRIBUTION BLOCK WITH NEGATIVE BUS**

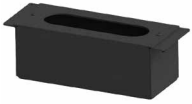
ITEM NO.	DESCRIPTION	PLACEMENT	DRILLING REQUIRED	WEIGHT	HEIGHT	WIDTH	DEPTH
7160-0313	6 Circuit Power Distribution Block with Negative Bus	Can be positioned in any convenient location	Yes	0.42 lbs 0.2 kg	1.5" 3.8 cm	3.63" 9.2 cm	3.30" 8.4 cm



**FEATURES**

- 6 independent ground connections on to a ground bus and separate master ground bus connection
- Tin-plated copper busses and fuse clips give 30 AMPS rating per circuit
- Accepts ATO and ATC fast acting blade fuses
- Maximum amperage per circuit: 30 / maximum amperage per block: 100 / maximum voltage rating: 32 volts DC
- Lifetime Limited Warranty

## 3-INCH DISPOSABLE GLOVE DISPENSER



ITEM NO.	PLACEMENT	WEIGHT	HEIGHT	WIDTH	DEPTH
7160-0952	Inserts into any Gamber-Johnson Console Box	2.05 lbs 0.93 kg	3.0" 7.6 cm	8.63" 21.8 cm	3.0" 7.6 cm

### FEATURES

- Dispenser has removable lid
- Lid has opening for removal of gloves or filling up the dispenser
- Lifetime Limited Warranty

## MICROPHONE CLIP PANEL



ITEM NO.	PLACEMENT	WEIGHT	HEIGHT	WIDTH	DEPTH
MCS-MICPLT	On top of any Console Box	0.5 lb 0.2 kg	2.25" 5.7 cm	8.7" 22.1 cm	1.0" 2.5 cm

### FEATURES

- Heavy gauge steel construction for long-term durability
- Black powder coat finish for maximum corrosion resistance
- Can hold up to three microphone clips
- Spacer provided to raise clip for easier use
- Microphone clip sold separately (9000-0053)
- Lifetime Limited Warranty

## ADJUSTABLE MICROPHONE CLIP



ITEM NO.	PLACEMENT	WEIGHT	HEIGHT	WIDTH	DEPTH
7160-0826	Attaches to pre-drilled holes on the 25" Universal Console Box or by drilling to any Console Box	1.0 lbs 0.5 kg	7.51" 19.1 cm	1.45" 3.7 cm	2.50" 6.4 cm

### FEATURES

- Can be positioned either over or away from radios
- Heavy gauge steel construction for long-term durability
- Height adjustable, range of 2.5" (6.4 cm)
- No drilling is required for 25" universal console box, drilling is required for other console boxes
- Lifetime Limited Warranty

## RAIL-MOUNTED MICROPHONE CLIP



ITEM NO.	PLACEMENT	WEIGHT	HEIGHT	WIDTH	DEPTH
MCS-EPICMIC	Attaches to pre-drilled Holes on either end of any Console Box	0.8 lbs 0.4 kg	2.25" 5.7 cm	1.75" 4.4 cm	1.50" 3.8 cm

### FEATURES

- Can be positioned either over or away from radios
- No drilling is required
- Lifetime Limited Warranty

## LOCKING POCKET WITH SLAM LATCH



ITEM NO.	DESCRIPTION	PLACEMENT/COMPATIBILITY	WEIGHT	HEIGHT	WIDTH	DEPTH
7160-1555	Locking Pocket with Slam Latch	Short Locking Pocket fits any EPIC Console Box, Console Box, Low Profile Box (MCS-LOWBOX), or any Vehicle Specific Console Box	3.9 lbs 1.8 kg	3" 7.62 cm	8.6" 21.8 cm	6" 15.24 cm

### FEATURES

- Lid latches in place without the need to locking
- Lid features a tubular slam push button lock for added security
- Ideal for securing keys and other miscellaneous items
- Limited Lifetime Warranty

**TALL INTERIOR POCKET**

ITEM NO.	PLACEMENT	WEIGHT	HEIGHT	WIDTH	DEPTH
<b>MCS-POCKET3</b>	Works with any Gamber-Johnson Console Box	2.4 lbs 1.1 lg	3.0" 7.6 cm	7.25" 18.4 cm	6.06" 15.4 cm



**FEATURES**

- Ideal for holding pens, keys and other miscellaneous items
- Lifetime Limited Warranty

**2-INCH POCKET IN WIDE-BODY**

ITEM NO.	PLACEMENT	WEIGHT	HEIGHT	WIDTH	DEPTH
<b>7160-0924</b>	Works with any Gamber-Johnson Console Box	1.05 lbs 0.48 kg	1.50" 3.81 cm	8.62" 21.90 cm	2.15" 5.46 cm



**FEATURES**

- Heavy gauge steel construction for long-term durability
- Black powder coat finish for maximum corrosion resistance
- Ideal for holding pens, keys, and other miscellaneous items
- Padded on bottom of pocket to help sound dampening and cushioning
- Limited Lifetime Warranty

**4.5" X 2" (11.4 X 5.1 CM) POCKET WITH KNOCKOUT**

ITEM NO.	PLACEMENT	WEIGHT	HEIGHT	WIDTH	DEPTH
<b>16298</b>	Can be fitted with any Gamber-Johnson or Vehicle Specific Console Box	1.7 lbs 0.75 kg	2.0" 5.1 cm	8.6" 21.9 cm	2.0" 5.1 cm



**FEATURES**

- Interior dimensions: 7.1" (18.1 cm ) W x 4.5" (11.3 cm ) H x 2.0" (5.1 cm) D
- Ideal for holding pens, keys, and other miscellaneous items
- Knockout on bottom of the pocket and outside corner for dual USB power port
- Heavy gauge steel and powder coat finish for long term durability and maximum corrosion resistance
- Limited Lifetime Warranty

**SHORT INTERIOR POCKET**

ITEM NO.	PLACEMENT	WEIGHT	HEIGHT	WIDTH	DEPTH
<b>7160-0332</b>	Works with any Gamber-Johnson Console Box, Low Profile Box (MCS-LOWBOX), or any Vehicle Specific Console Box	1.9 lbs 0.9 kg	3.0" 7.6 cm	8.6" 21.8	3.3" 8.4 cm
<b>7160-0597</b>	Works with any Gamber-Johnson Console Box, Low Profile Box (MCS-LOWBOX), or any Vehicle Specific Console Box	2.8 lbs 1.3 kg	6.0" 15.2 cm	8.6" 21.8 cm	3.26" 8.3 cm



7160-0597

**FEATURES**

- Ideal for holding pens, keys and other miscellaneous items
- Drain holes located in the bottom of the pocket
- Lifetime Limited Warranty

**LOCKING INTERIOR POCKET**

ITEM NO.	PLACEMENT	WEIGHT	HEIGHT	WIDTH	DEPTH
<b>7160-0388</b>	Tall Locking Pocket Works with any Gamber-Johnson Console Box	3.9 lbs 1.8 kg	3.5" 8.9 cm	8.6" 21.8 cm	6.1" 15.5 cm
<b>7160-0389</b>	Short Locking Pocket Fits any Epic Console Box, Console Box, Low Profile Box (MCS-LOWBOX), or any Vehicle Specific Console Box	3.1 lbs 1.4 kg	6.3" 16 cm	8.6" 21.8 cm	3.1" 7.9 cm



7160-0388



7160-0389

**FEATURES**

- Locking lid with barrel key lock
- Ideal for weapons, keys and other miscellaneous items
- Lifetime Limited Warranty

## LIND POWER SUPPLY MOUNTING BRACKET ASSEMBLY



ITEM NO.	PLACEMENT	WEIGHT	HEIGHT	WIDTH	DEPTH
7160-0936	Attaches to any Console Box or a Flat Surface	3.5 lbs 1.6 kg	5.0" 12.7 cm	9.6" 24.4 cm	3.0" 7.6 cm

**FEATURES**

- Designed to hold a LIND power supply or a power supply that is 5.5" (13.97 cm) H x 3" (7.62 cm) W x 1" (2.54 cm) D
- Lifetime Limited Warranty

## POWER SUPPLY MOUNTS



7160-1355

ITEM NO.	PLACEMENT	WEIGHT	HEIGHT	WIDTH	DEPTH
7160-1355	Lind Power Supply Mount	1.5 lbs .68 kg	6.5" 16.51 cm	5.3" 13.46 cm	1.14" 2.9 cm
7160-1655	Lind Power Supply and Timer Mount	1.5 lbs .68 kg	6.5" 16.51 cm	8.1" 20.57 cm	2.75" 6.99 cm
7160-1748	Getac Power Supply Mount	2 lbs .91 kg	6.5" 16.51 cm	5.3" 13.46 cm	1.14" 2.9 cm
7160-1764	Getac Power Supply and Timer Mount	2 lbs .91 kg	6.5" 16.51 cm	8.1" 20.57 cm	2.75" 6.99 cm

**FEATURES**

- "U" shaped tab on power supply bracket provides access to fuse, if needed, without removal of bracket itself
- The power supply bracket easily mounts to a Gamber-Johnson lower pole with the provided clamp
- Bracket can be mounted vertical or horizontal; depending on desired position
- Lifetime Limited Warranty

## COMPUTER MOUNTING BRACKET



ITEM NO.	PLACEMENT	WEIGHT	HEIGHT	WIDTH	DEPTH
MCS-COMBRKT	Attaches to pre-drilled holes on each side of the Ergonomic Console Boxes (MCS-ERGOBOX12, 71600237, 7160-0333) or the Low Profile Box (MCS-LOWBOX)	3.5 lbs 1.6 kg	5.0" 12.7 cm	9.6" 24.4 cm	3.0" 7.6 cm

**FEATURES**

- Keeps computer low in vehicle and out of the air bag zone
- Computer can be mounted in the center or offset
- Lifetime Limited Warranty

## SIDE EXTENSION MOUNTING PLATE



ITEM NO.	DESCRIPTION	PLACEMENT	WEIGHT	HEIGHT	WIDTH	DEPTH
7160-0106	Side Extension Mounting Plate	Attaches to pre-drilled holes along side of any new Console Box Top Plate (7160-0085 or 7160-0086)	1.0 lbs 0.5 kg	1.5" 3.8 cm	5.0" 12.7 cm	3.65" 9.3 cm

**FEATURES**

- Provides an offset mounting surface for any complete DS pole assembly or lower tube assembly
- Lifetime Limited Warranty

## TRUCK RACK



ITEM NO.	DESCRIPTION	WEIGHT	HEIGHT	WIDTH	DEPTH
7300-0556	2020+ NOSLO DPW Truck Rack	30 lb 13.61 kg	24" 60.96 cm	72" 182.88 cm	2" 5.08 cm

**FEATURES**

- Compatible with the 2020/2021 MY Chevrolet/GMC Silverado/Sierra 1500/2500/3500 HD, Ford F-150, Ford F-250/350 Super Duty, Ram 1500/1500 Classic, Ram 2500/3500
- Mounts emergency and auxiliary lighting and eliminates wire clutter
- Pre-drilled access holes accommodate a wide range of lighting products from full size to mini lightbars
- Constructed of light-weight aluminum
- Black powder coated for long-term durability and corrosion resistance

**BROTHER POCKETJET 7 AND POCKETJET 7 PLUS PRINTER ACCESSORIES**

ITEM NO.	DESCRIPTION
14331	Power Car Adapter - Wired 14' for use with PocketJet 3, 3 Plus, 6, 6 Plus, 7, 7 Plus Printers
14332	USB Cable - 4' for use with PocketJet 3, 3 Plus, 6, 6 Plus, 7, 7 Plus Printers



14331

**BROTHER POCKETJET SERIES MOUNT**

ITEM NO.	PLACEMENT	DESCRIPTION	WEIGHT	HEIGHT	WIDTH	DEPTH	MISC
7160-0126	Secures to the Rack-to-Post Platform (DS-74 or DS-74-L), then secured to any Lower Tube, Vehicle Base with a Welded Pole or onto any flat, stable surface	Printer/Paper Roll Housing with Optional Bolt-on Cable Strain Relief	2.3 lbs 1.0 kg	3.25" 8.3 cm	12.25" 31.1 cm	5.25" 13.3 cm	Holds Printer and Paper Roll in Separate Trays  Cable Strain Relief Protects Connector Interface on the Printer Engine from Damage



**FEATURES**

- For use with the following Brother printers:  
 PocketJet 200    PocketJet 3    PocketJet 6    PocketJet 7  
 PocketJet II    PocketJet 3 Plus    PocketJet 6 Plus (NiMH battery only)    PocketJet 7 Plus
- Mount holds printer and paper roll in separate lockdown tray
- New wire draw latch provides a secure fit to reduce vibration noise
- Bolt-on cable restraint provide cable management options if desired
- There is no drilling required if mounting to a rack-to-post (DS-74 or DS-74-L), otherwise drilling is required for most other applications
- Gamber-Johnson mounting hole pattern
- Paper roll is enclosed to protect from prolonged exposure to direct sunlight
- Paper roll cut-out allows for vertical orientation as well as horizontal orientation
- Printer can be easily removed from the mount for use outside of the vehicle
- Paper and printer not included
- Lifetime Limited Warranty

**CANON i70/i80/i90/i100 AND HP100/HP450/HP460/HP470 PRINTER MOUNT**

ITEM NO.	PLACEMENT	DRILLING REQUIRED	WEIGHT	HEIGHT	WIDTH	DEPTH
7160-0392	Attaches to Pre-Drilled Holes on Rack-to-Post Platform (DS-74 or DS-74-L)	<b>No</b> - If Using a Rack-to-Post Platform (DS-74 or DS-74-L)	2.2 lbs 1.0 kg	2.1" to 3.4" 5.3 to 8.6 cm	12.5" to 14.6" 31.8 to 37.1 cm	7.6" to 8.9" 19.3 to 22.6 cm



**FEATURES**

- Universal printer mount designed to be used with Canon i70/i80/i90/i100 and HP100/450/460/470 printers
- Adjustable side brackets allows the printer to be firmly seated
- Printer mount can be used with or without the optional battery pack
- For extra protection against shock and vibration, an isolator plate (7160-0351) is recommended
- Lifetime Limited Warranty

## FACEPLATE ORDERING INSTRUCTIONS

1. Note the manufacturer and the model name of the equipment to be installed, then locate your equipment in the guide.
2. Use the part number listed in the Gamber Item No. column.
3. Should Gamber-Johnson's dimensions not correspond with your equipment or you do not find your equipment listed, contact us at 1.800.487.9220. We will help you find a faceplate which will work with your equipment.

## MISCELLANEOUS

MODEL	TYPE	GJ PART NO.	MOUNTING SPACE USED IN CONSOLE (IN)
10-8 Video Model HD4 DVR	Self Contained	20169	3.00
Acek9 Hot-N-Pop Model 5010 & 5020 with 2 switch knockout	Control Head	19865	4.00
Axon Fleet 3 Hub DVR AX1033	Self Contained	19818	2.50
Brooking Industries BR960	Control Head	16331	3.00
Brooking Industries BR970	Control Head	16331	3.00
Brooking BR-990(BR-990,991,992 & 993) Switch Panel	Control Head	16331	3.00
Getac Video (VR-X10)	Self Contained	7160-0932	3.50
Getac Video (VR-X20)	Self Contained	7160-1532	3.50
L3/Mobile Vision Flashback 3 DVR	Self Contained	7160-0522	3.00
Panasonic Arbitrator MK3 VPU	Self Contained	16071	4.00
Premier K9 system (Setina system) With 2 switch knockout	Self Contained	20243	4.00
Tomar 940	Control Head	7160-0339	4.00
Tomar 948L	Control Head	7160-0339	4.00
Tomar 948L-DCP	Control Head	7160-0339	4.00
Motorola M500 DVR	Self Contained	20244	2.50
Galls Siren Box SK053 (is Code 3 Mastercom) Full Faceplate	Control Head	7160-0337	3.50
WatchGuard 4RE DVR	Self Contained	20549	2.00
Filler 0.50"	Filler	3130-0152	0.50
Filler 0.75"	Filler	15130	0.75
Filler 1.00"	Filler	3130-0153	1.00
Filler 1.50"	Filler	18492	1.50
Filler 2.00"	Filler	3130-0154	2.00
Filler 2.50"	Filler	18901	2.50
Filler 3.00"	Filler	3130-0155	3.00
Filler 3.50"	Filler	19814	3.50
Filler 4.00"	Filler	3130-0156	4.00
Filler 5.00"	Filler	19345	5.00
Filler with 4 switch knockout	Filler	14495	2.00
Filler with 3 switch and 3 12V knockout	Filler	15082	2.00
Filler with 6 switch knockout	Filler	15083	2.00
Filler with 3 12V knockout	Filler	3130-0361	2.00
Filler with 4 12V knockout	Filler	19954	2.00
Filler - 2021+ Dodge Charger PPV Media relocation	Filler	19717	2.00
Filler - 2011-2020 Dodge Charger PPV Media relocation	Filler	14422	2.00
Filler - FORD Transit Upfitter switch relocation	Filler	17100	3.00
Filler - 2020+ FORD PIU Media relocation	Filler	18872	2.00
Filler - 2020+ FORD PIU Media and Brake switch relocation	Filler	7160-1459	2.50

## CARSON SIRENS

MODEL	TYPE	GJ PART NO.	MOUNTING SPACE USED IN CONSOLE (IN)
Carson Siren SC-411-RD-10 14	Control Head	7160-0460	3.50

## CODE 3

MODEL	TYPE	GJ PART NO.	MOUNTING SPACE USED IN CONSOLE (IN)
3600 Series V-Con	Self Contained	20177	3.50
3892,3892L6,3892L6MM MASTERCOM B	Self Contained	7160-0337	3.50
3997 (RLS)	Control Head	11511	3.38
3998	Control Head	11511	3.38
3999	Control Head	11511	3.38
XCEL 3492	Self Contained	7160-0569	3.00
XCEL 3492L6MJ	Self Contained	7160-0569	3.00
XCEL 3492L6S	Self Contained	7160-0569	3.00
XCEL 3492MJ	Self Contained	7160-0569	3.00
XCEL 3496P	Self Contained	7160-0569	3.00
Z3	Control Head	11511	3.38

## E.F. JOHNSON

MODEL	TYPE	GJ PART NO.	MOUNTING SPACE USED IN CONSOLE (IN)
53SL	Self Contained & Control Head	7160-0406	3.00
53SL ES	Self Contained & Control Head	7160-0406	3.00
VM600	Self Contained & Control Head	7160-0406	3.00
VM900	Self Contained & Control Head	7160-0406	3.00
VM400	Self Contained & Control Head	7160-0406	3.00

## FEDERAL SIGNAL

MODEL	TYPE	GJ PART NO.	MOUNTING SPACE USED IN CONSOLE (IN)
MB1 Message Board Control	Control head	7160-0338	4.25
Pathfinder PF200S17	Control head	7160-0338	4.25
PathFinder PF200	Self Contained	18538	3.50
Pathfinder PF200 Control Head	Control head	18629	3.00
Smart Siren SS200 5BTN	Control head	7160-0338	4.25
Smart Siren SSP2000 Platinum	Control head	7160-0338	4.25
Smart Siren SSP3000 Platinum	Control head	7160-0338	4.25
Federal Signal Signal Master Controller Series 331105	Self Contained	15359	2.00

## FENIEX MFG

MODEL	TYPE	GJ PART NO.	MOUNTING SPACE USED IN CONSOLE (IN)
Feniex C-4200	Control Head	15360	4.00
Feniex One F1-0019SR Controller	Control Head	19513	4.00
Feniex Typoon C-4107	Control Head	19607	3.00

## HARRIS

MODEL	TYPE	GJ PART NO.	MOUNTING SPACE USED IN CONSOLE (IN)
EDACS ProVoice Jaguar 725M	Self Contained	7160-0523	3.00
M-7200	Self Contained & Control Head	7160-0523	3.00
M-7300	Self Contained & Control Head	7160-0523	3.00
M/A Com (HARRIS) M803	Self Contained & Control Head	7160-0523	3.00
OpenSky CH-103	Self Contained & Control Head	7160-0523	3.00
M-5300	Self Contained & Control Head	7160-0523	3.00
Unity XG-100M	Control Head	7160-0432	4.50
Unity XG-100M with CH-100 Control	Control Head	7160-0432	4.50
Unity XG-100M with CH-107 Control	Self Contained & Control Head	7160-0523	3.00

## HARRIS

MODEL	TYPE	GJ PART NO.	MOUNTING SPACE USED IN CONSOLE (IN)
Unity XG-100M with CH-721 Control	Self Contained & Control Head	7160-0523	3.00
XG-25M	Self Contained	19274	3.50
XG-25M (Remote)	Control Head	20128	3.50
XG-75M with CH-721 control	Self Contained & Control Head	7160-0523	3.00
XL-185M	Control Head	19439	3.00

## ICOM AMERICA

MODEL	TYPE	GJ PART NO.	MOUNTING SPACE USED IN CONSOLE (IN)
IC-A110	Self contained	16702	2.50
IC-A120	Self contained	16437	2.50
IC-F5061	Self contained	16437	2.50
IC-F6061	Self contained	16437	2.50
IC-F7510	Self contained	17174	3.00
IC-F9511HT	Control Head	16439	2.50
RMK-5	Self contained	17174	3.00
Icom IC-7100	Control Head	16440	4.50
Icom ID-5100	Control Head	16082	3.50
IC-F5400D / IC-F6400D Radio RMK-5/RMK-7	Control Head	17174	3.00
IC-F5400D / IC-F6400D Radio RMK-5/RMK-7	Control Head	17174	3.00

## KENWOOD

MODEL	TYPE	GJ PART NO.	MOUNTING SPACE USED IN CONSOLE (IN)
K-2 Series	Self Contained	17277	2.50
KCH-19 Remote Head Radio	Control Head	17170	2.50
KCH-20R	Control Head	17171	3.00
KES 3 Speaker	Self Contained	18100	3.00
NX-3720	Self Contained	17277	2.50
NX-3720G	Self Contained	17277	2.50
NX-3720HG-K	Self Contained	17277	2.50
NX-3820	Self Contained	17277	2.50
NX-3820G	Self Contained	17277	2.50
NX-3820HG-K	Self Contained	17277	2.50
NX-5700	Self Contained	17170	2.50
NX-5700 with KCH-19 remote head radio	Control Head	17170	2.50
NX-5700 with KCH-20R remote head radio	Control Head	17171	3.00
NX-5800	Self Contained	17170	2.50
NX-5800 with KCH-19 remote head radio	Control Head	17170	2.50
NX-5800 with KCH-20R remote head radio	Control Head	17171	3.00
NX-5900	Self Contained	17170	2.50
NX-5900 with KCH-19 remote head radio	Control Head	17170	2.50
NX-5900 with KCH-20R remote head radio	Control Head	17171	3.00
NX-700H & HK	Self Contained & Control Head	16030	2.50
NX-800H & HK	Self Contained & Control Head	16030	2.50
TK-5710	Control Head	7160-0466	3.00
TK-5730	Self Contained	17170	2.50
TK-5810	Control Head	7160-0466	3.00
TK-5830	Self Contained	17170	2.50
TK-5910	Control Head	7160-0466	3.00
TK-5930	Self Contained	17170	2.50
TK-690	Self Contained & Control Head	7160-0466	3.00
TK-690H	Self Contained & Control Head	7160-0466	3.00



## KENWOOD

MODEL	TYPE	GJ PART NO.	MOUNTING SPACE USED IN CONSOLE (IN)
TK-7160	Self Contained & Control Head	16030	2.50
TK-7180	Self Contained & Control Head	16030	2.50
TK-7360	Self Contained	16030	2.50
TK-760	Self Contained	7160-0465	2.00
TK-762	Self Contained	7160-0465	2.00
TK-780	Self Contained	7160-0465	2.00
TK-790	Self Contained & Control Head	7160-0466	3.00
TK-790H	Self Contained & Control Head	7160-0466	3.00
TK-8160	Self Contained & Control Head	16030	2.50
TK-8180	Self Contained & Control Head	16030	2.50
TK-8360	Self Contained	16030	2.50
TK-860	Self Contained	7160-0465	2.00
TK-862	Self Contained	7160-0465	2.00
TK-890	Self Contained & Control Head	7160-0466	3.00
TK-890H	Self Contained & Control Head	7160-0466	3.00
TK-980	Self Contained & Control Head	7160-0465	2.00
TK-981	Self Contained & Control Head	7160-0465	2.00
VM-5730	Self Contained	17170	2.50
VM-5830	Self Contained	17170	2.50
VM-5930	Self Contained	17170	2.50
VM-600	Self Contained	7160-0406	3.00
VM-6730	Self Contained	7160-0406	3.00
VM-6830	Self Contained	7160-0406	3.00
VM-6930	Self Contained	7160-0406	3.00
VM-7000	Control Head	17171	3.00
VM-900	Self Contained	7160-0406	3.00

## MOTOROLA

MODEL	TYPE	GJ PART NO.	MOUNTING SPACE USED IN CONSOLE (IN)
APX 02/05/e5/07 CONTROL HEAD	Pivoting	7160-1831	3.50
APX 02 CONTROL HEAD	Control Head	7160-0321	3.00
APX E5 CONTROL HEAD	Control Head	7160-0321	3.00
APX 05 CONTROL HEAD	Control Head	7160-0321	3.00
APX 07 CONTROL HEAD	Control Head	7160-0321	3.00
APX 09 CONTROL HEAD	Control Head	7160-0267	7.50
APX 1500	Control Head	7160-0321	3.00
APX 1500	Self Contained	7160-0322	3.00
APX 2500	Control Head	7160-0321	3.00
APX 2500	Self Contained	7160-0322	3.00
APX 4500	Control Head	7160-0321	3.00
APX 4500	Self Contained	7160-0322	3.00
APX 6500	Self Contained	7160-0322	3.00
APX 6500	Control Head	7160-0321	3.00
APX 7500	Self Contained	7160-0322	3.00
APX 7500	Control Head	7160-0321	3.00
APX 7500	Control Head	7160-0321	3.00
APX 8500	Control Head	7160-0321	3.00
APX 8500	Self Contained	7160-0322	3.00
CM200D, CM300D	Self Contained	20046	2.50
CDM 750, 1250, 1550 flush mounting	Control Head	7160-0467	3.00
CDM 750, 1250, 1550 flush mounting	Self Contained	7160-0467	3.00
PM1500	Control Head	7160-0538	3.00

**MOTOROLA**

MODEL	TYPE	GJ PART NO.	MOUNTING SPACE USED IN CONSOLE (IN)
XPR 2500	Self Contained	20046	2.50
XPR 4350	Self Contained	7160-0587	2.50
XPR 4350	Control Head	7160-0587	2.50
XPR 4380	Control Head	7160-0587	2.50
XPR 4550	Self Contained	7160-0587	2.50
XPR 4550	Control Head	7160-0587	2.50
XPR 4580	Control Head	7160-0587	2.50
XPR 4580	Self Contained	7160-0587	2.50
XPR 5350	Self Contained	7160-0587	2.50
XPR 5350	Control Head	7160-0587	2.50
XPR 5380	Self Contained	7160-0587	2.50
XPR 5380	Control Head	7160-0587	2.50
XPR 5550	Control Head	7160-0587	2.50
XPR 5550	Self Contained	7160-0587	2.50
XPR 5580	Control Head	7160-0587	2.50
XPR 5580	Self Contained	7160-0587	2.50
XPR 6550	Control Head	7160-0587	2.50
XPR 6550	Self Contained	7160-0587	2.50
XTL 1500	Control Head	7160-0321	3.00
XTL 1500	Self Contained	7160-0322	3.00
XTL 2500	Self Contained	7160-0322	3.00
XTL 2500	Control Head	7160-0321	3.00
XTL 5000	Control Head	7160-0321	3.00
XTL 5000	Self Contained	7160-0322	3.00
XTL 5000-05 (2005)	Control Head	7160-0587	2.50
XTVA Base Station Vehicle Adapter	Self Contained	7160-0458	3.50
Motorola DEK / SIREN Control Box (DOUBLE BOX) Full Faceplate	Self Contained	7160-0462	3.50
Motorola DEK / SIREN Control Box (SINGLE BOX) Full Faceplate	Self Contained	7160-0459	2.00
Motorola HLN6911H	Self Contained	7160-0321	3.00

**RELM BK RADIO**

MODEL	TYPE	GJ PART NO.	MOUNTING SPACE USED IN CONSOLE (IN)
KNG-M150	Self Contained	15348	3.00
KNG-M150 REMOTE	Control Head	15344	3.00
KNG-M400	Control Head	15344	3.00
KNG-M400	Self Contained	15348	3.00
KNG-M500	Self Contained	15348	3.00
KNG-M500	Control Head	15344	3.00
KNG-M800	Control Head	15344	3.00
KNG-M800	Self Contained	15348	3.00

**SOUNDOFF SIGNAL**

MODEL	TYPE	GJ PART NO.	MOUNTING SPACE USED IN CONSOLE (IN)
Soundoff 500 (ENGSA581RSP)	Control Head	20032	3.50
Soundoff 500 (ENGSA582RSP)	Control Head	20032	3.50
Soundoff 500 (ENGSA581RSR)	Control Head	20032	3.50
Soundoff 500 (ENGSA582RSR)	Control Head	20032	3.50
Soundoff 500 (ENGSA581CSP)	Self Contained	20033	3.50
Soundoff 500 (ENGSA582CSP)	Self Contained	20033	3.50

## SOUNDOFF SIGNAL

MODEL	TYPE	GJ PART NO.	MOUNTING SPACE USED IN CONSOLE (IN)
Soundoff 500 (ENGSA581CSR)	Self Contained	20033	3.50
Soundoff 500 (ENGSA582CSR)	Self Contained	20033	3.50
Soundoff 500 (ENGSA5100RSP)	Control Head	20032	3.50
Soundoff 500 (ENGSA5200RSP)	Control Head	20032	3.50
Soundoff 500 (ENGSA5100RSR)	Control Head	20032	3.50
Soundoff 500 (ENGSA5200RSR)	Control Head	20032	3.50
Soundoff 500 (ENGSA5100CSP)	Self Contained	20033	3.50
Soundoff 500 (ENGSA5200CSP)	Self Contained	20033	3.50
Soundoff 500 (ENGSA5100CSR)	Self Contained	20033	3.50
Soundoff 500 (ENGSA5200CSR)	Self Contained	20033	3.50
ENGCP18001(Blueprint)	Control Head	7160-0339	4.00
ENGCP18002(Blueprint)	Control Head	16932	3.50
ENGSCP7141 (100W)	Self Contained	7160-0339	4.00
ENGSCP7152 (200W)	Self Contained	7160-0339	4.00
ENGSCR7141 (100W)	Self Contained	16932	3.50
ENGSCR7152 (200W)	Self Contained	16932	3.50
ETCPRS01	Control Head	7160-0339	4.00
ETSA481CSP (100W)	Self Contained	17133	3.50
ETSA481CSR (100W)	Self Contained	17133	3.50
ETSA481RSP (100W)	Control Head	7160-0339	4.00
ETSA481RSR (100W)	Control Head	16932	3.50
ETSA482RSR (200W)	Control Head	16932	3.50
ETSA482CSP (200W)	Self Contained	17133	3.50
ETSA482CSR (200W)	Self Contained	17133	3.50

## SPEEDTECH LIGHTS

MODEL	TYPE	GJ PART NO.	MOUNTING SPACE USED IN CONSOLE (IN)
IS-100 Intellisiren	Control Head	7160-1490	4.00

## TAIT

MODEL	TYPE	GJ PART NO.	MOUNTING SPACE USED IN CONSOLE (IN)
TM8110	Self Contained	15343	3.00
TM8200 Series	Self Contained	15343	3.00
TM8254	Self Contained	15343	3.00
TM8255	Self Contained	15343	3.00
TM9135	Control Head	17276	3.50
TM9135	Self Contained	15343	3.00
TM9155	Self Contained	15343	3.00
TM9155	Self Contained	15343	3.00
TM9155	Control Head	17276	3.50
TM9455	Self Contained	15343	3.00
TM9455	Control Head	17276	3.50
TM9455	Self Contained	15343	3.00

## UNIDEN

MODEL	TYPE	GJ PART NO.	MOUNTING SPACE USED IN CONSOLE (IN)
980SSB	Self Contained	7160-0528	2.25
BCD536HP	Self Contained	7160-0528	2.25
D996P2	Self Contained	7160-0528	2.25
BCD996XT	Self Contained	7160-0528	2.25
BCT15	Self Contained	7160-0528	2.25

## VERTEX YAESU

MODEL	TYPE	GJ PART NO.	MOUNTING SPACE USED IN CONSOLE (IN)
Yaesu FT-8800R/8900R	Self Contained	16327	2.50
Yaesu FT-7900 Full Faceplate	Self Contained	16327	2.50
Yaesu FT-857 Radio Full Faceplate	Self Contained	16330	3.00
Yaesu FTM-100D Full Faceplate	Self Contained	16327	2.50
Yaesu FTM-400DR Radio Body Full Faceplate	Self Contained	16327	2.50
Yaesu FTM-400DR Control Head Full Faceplate	Self Contained	16329	4.00

## WHELEN

MODEL	TYPE	GJ PART NO.	MOUNTING SPACE USED IN CONSOLE (IN)
Arges Remote Spotlight Control Head ARGCH1	Control Head	7160-1491	4.00
295HF100	Self Contained	15377	3.00
295HFS1	Self Contained	15377	3.00
295HFSA1	Self Contained	15377	3.00
295SDA1	Control Head	7160-0339	4.00
295SDA	Control Head	7160-0339	4.00
295SL100	Self Contained	15377	3.00
295SL101	Self Contained	15377	3.00
295SLSA1	Self Contained	15377	3.00
295SLSA6	Self Contained	17041	4.00
295SDA1	Control Head	7160-0339	4.00
295SSA1	Control Head	7160-0339	4.00
Alpha 12S	Self Contained	15377	3.00
Beta 2	Self Contained	15377	3.00
Control CANCTL1	Control Head	7160-0339	4.00
Control CANCTL2	Control Head	7160-0339	4.00
Control CANCTL6	Control Head	7160-0339	4.00
Control CANCTL3	Control Head	7160-0339	4.00
Control CANCTL4	Control Head	15087	3.00
CC/WS295	Control Head	7160-0339	4.00

**WHELEN**

MODEL	TYPE	GJ PART NO.	MOUNTING SPACE USED IN CONSOLE (IN)
Cencom Carbidee CCSRNT4F	Control Head	7160-0339	4.00
Cencom Carbidee CCSRNT4G	Control Head	7160-0339	4.00
Cencom CCSRN	Control Head	7160-0339	4.00
Cencom CCSRN3	Control Head	7160-0339	4.00
Cencom CCSRNTTA	Control Head	7160-0339	4.00
Cencom Sapphire	Control Head	7160-0339	4.00
HHS3206	Control Head	7160-0339	4.00
HHS3207	Control Head	7160-0339	4.00
HHS4206	Control Head	7160-0339	4.00
PCC8R	Control Head	15087	3.00
WCC9	Control Head	15087	3.00
WeCanX CCTL7	Control Head	7160-0339	4.00
WeCanX CCTI6	Control Head	7160-0339	4.00
WS2100	Control Head	15377	3.00
HHS2000	Control Head	7160-0339	4.00



## GAMBER GUARD EXTENDED SERVICE PLAN

Keep your investments protected longer

Gamber Guard Extended Service Plan\* extends the life of your investment. Your Gamber-Johnson docking station will protect and extend the life of your computer; with Gamber Guard, your docking station is covered with an extended warranty and those unexpected warranty claims are covered long-term. Expedited service to Gamber Guard customers ensures you won't miss a beat.

Ask your reseller about our volume-based pricing opportunities.

### FEATURES

- Gamber Guard extends our standard warranty to 5-years (3-Year standard warranty + 2 additional years. The extended warranties are subject to the same terms and exclusions as the standard warranty for the products.
- Offers expedited service and free ground shipping in the United States.
- If you encounter accidental electronics damage, Gamber Guard will cover two FREE PCB replacements and two FREE RF Pass thru (GPS/LAN/WAN) cables per serial number for the life of the contract based on electronics availability.
- Gamber Guard must be purchased within 30 days of product purchase.
- See the category chart to find the Gamber Guard plan for your device.

WARRANTY PLANS	PRODUCTS
GAMBER GUARD CATEGORY #1	<b>Panasonic:</b> Toughbook L1/S1 Tablet Docking Station <b>Samsung:</b> Tab Active 2/3 Dual USB Docking Station, Tab Active Pro Docking Station
GAMBER GUARD CATEGORY #2	<b>Panasonic:</b> Toughbook A3 Tablet, G1/G2 Tablet, M1 Tablet Docking Stations <b>Getac:</b> A140 Tablet, F110 Tablet, K120 Tablet, S410 Laptop, T800 Tablet, UX10 Tablet, V110 Laptop, ZX10 Tablet Docking Stations <b>Dell:</b> Latitude Rugged Tablet and Laptop Docking Stations <b>Zebra:</b> 8" And 10" ET5X Tablet, L10 Tablet Docking Stations <b>Other:</b> Rugged USB Hub
GAMBER GUARD CATEGORY #3	<b>Panasonic:</b> Toughbook 20 Laptop, 33 Tablet, 33 Laptop, 55 Laptop, 20 TrimLine, 33 TrimLine, 55 TrimLine Docking Stations <b>Getac:</b> K120 Laptop, B300 Laptop, B360 Laptop Docking Stations

## EXTENDED WARRANTY

### Stay covered beyond the standard warranty

Gain peace of mind with Gamber-Johnson's Extended Warranty\*. Gamber-Johnson proudly offers Extended Warranties to add 2 years of standard warranty to your product purchase. For accidental coverage and expedited services, please see our Gamber Guard offerings.

Ask your reseller about our volume-based pricing opportunities.

#### FEATURES

- Gamber-Johnson offers 2-Year Extended Warranties to add an additional 2 years of standard warranty to your product purchase.
- The extended warranties are subject to the same terms and exclusions as the standard warranty for the products.
- The extended warranty must be purchased within 30 days of the product purchase.
- See the category chart to find the Extended Warranty for your device.

WARRANTY PLANS	PRODUCTS
EXTENDED WARRANTY CATEGORY #1	<p><b>Panasonic:</b> Toughbook L1/S1 Docking Station</p> <p><b>Samsung:</b> Tab Active 2/3 Dual USB Docking Station, Tab Active Pro Docking Station</p>
EXTENDED WARRANTY CATEGORY #2	<p><b>Panasonic:</b> Toughbook A3 Tablet, G1/G2 Tablet, M1 Tablet, N1 Handheld, 20 Laptop, 33 Tablet, 33 Laptop, 55 Laptop, 20 TrimLine, 55 TrimLine, 33 TrimLine Docking Stations</p> <p><b>Getac:</b> A140 Tablet, B300 Laptop, B360 Laptop, F110 Tablet, K120 Laptop, K120 Tablet, S410 Laptop, T800 Tablet, UX10 Tablet, V110 Laptop, ZX10 Tablet, ZX70 Tablet Docking Stations</p> <p><b>Dell:</b> Latitude Rugged Tablet and Laptop Docking Stations</p> <p><b>Zebra:</b> 8" And 10" ET5X Tablet Docking Stations, L10 Docking Station</p> <p><b>Other:</b> Rugged USB Hub</p>

\*Gamber-Johnson warrants to the reseller and the original end user of any Gamber-Johnson product that it will be free from defects in materials and workmanship for the warranty time period. Any failure of any Gamber-Johnson product that is due to intentional misuse or damage, cosmetic wear, theft, fire or natural disaster is not covered by this warranty.

The remedies for a defect in material or workmanship are limited to repair or replacement of any non-conforming product. Gamber-Johnson will repair or replace, without charge, any Gamber-Johnson product that does not conform to its warranty only if a Reseller or an original end user gives us notice of a defect in material or workmanship within the warranty time period stated below:

Mounting Systems (non-electronic products) — All non-electronic products purchased after Dec. 31st, 2009 are protected by Gamber-Johnson's limited lifetime warranty. For any warranty related issues of products purchased prior to Dec. 31st 2009, please contact your Gamber-Johnson's authorized reseller. All Zirkona products come with a standard one-year product warranty.

Specific 3rd Party Supplied Products – For all products purchased through Gamber-Johnson that are supplied from a 3rd party company (i.e. iKey, Brother, Lind Electronics, AFS, etc.) are warranted by the specific manufacturer of that product. Please see individual specifications on these products for further warranty information.

Mobile Docking Stations & Electronic Products — Warranty time period (from date of original factory shipment) for printed circuit boards, docking connectors, electronic components may vary. Please see individual specifications on these products for further warranty information.

Any failure of any Gamber-Johnson product that is due to damage or misuse, such as excessive force, improper installation, cosmetic wear, exposure to liquid spills, moisture or application of power in excess of specified rating theft, fire or natural disaster is not covered by this warranty. The warranty is void on electronic products if the warranty label is removed or altered.

GAMBER-JOHNSON WILL NOT BE RESPONSIBLE FOR ANY INCIDENTAL, CONSEQUENTIAL (INCLUDING LOSS OF BUSINESS OR PROFITS) OR PUNITIVE DAMAGES DUE TO FAILURE OF A GAMBER-JOHNSON PRODUCT. INCIDENTAL, CONSEQUENTIAL AND PUNITIVE DAMAGES ARE EXCLUDED FROM THIS LIMITED WARRANTY. THE FOREGOING WARRANTY IS A LIMITED WARRANTY. THERE ARE NO OTHER WARRANTIES, EXPRESS OR IMPLIED, WHICH EXTEND BEYOND THE DESCRIPTION OF THE WARRANTIES ON THE FACE HEREOF INCLUDING BUT NOT LIMITED TO THE IMPLIED WARRANTIES OF FITNESS AND MERCHANTABILITY.



# ENTERPRISE PRODUCT CATALOG

**RUGGED. RELIABLE. RESPONSIVE.™**

**GAMBERJOHNSON.COM**  
©2023 Gamber-Johnson LLC 2/2023