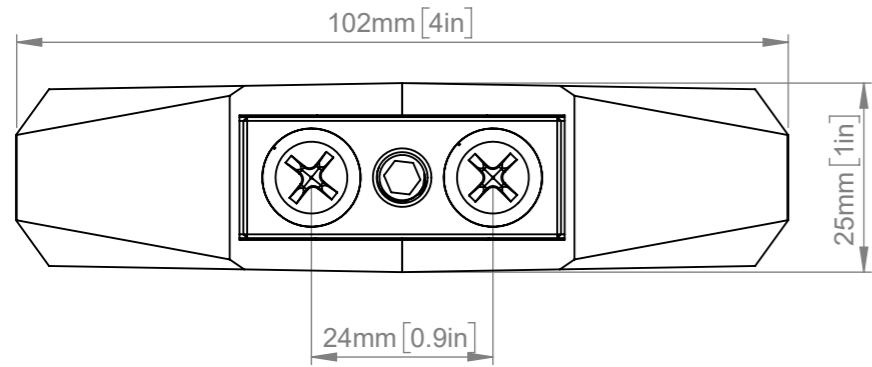
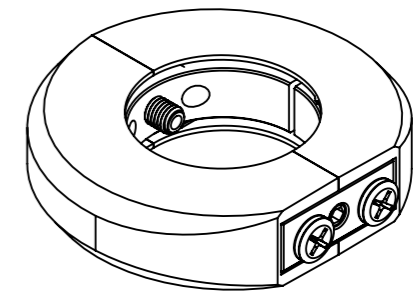
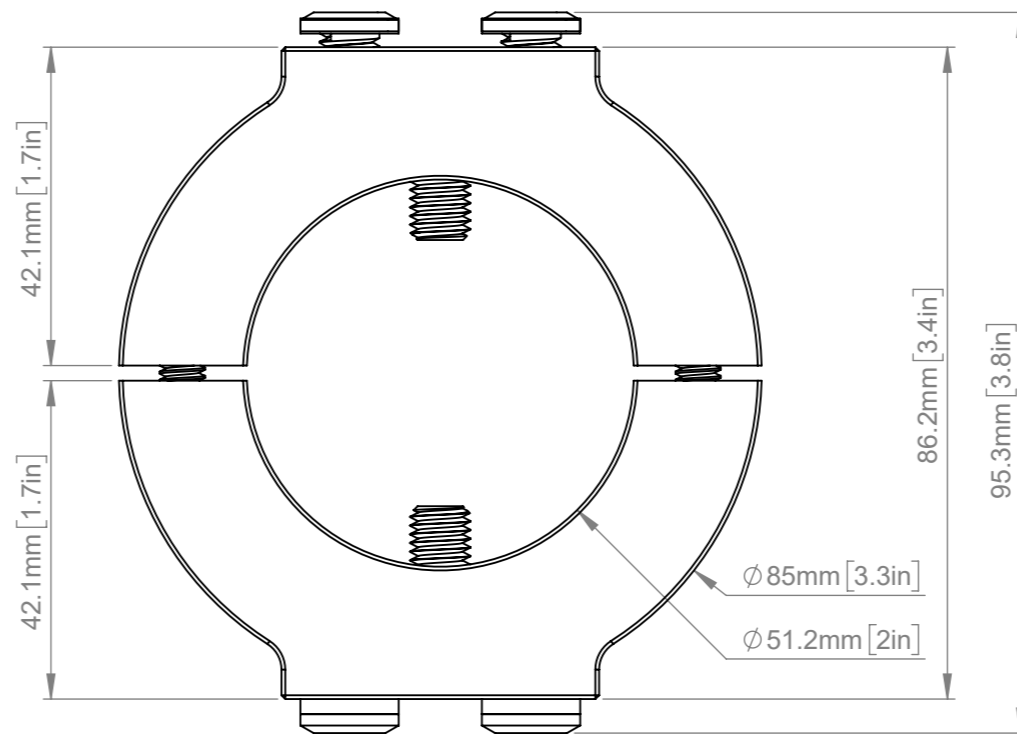
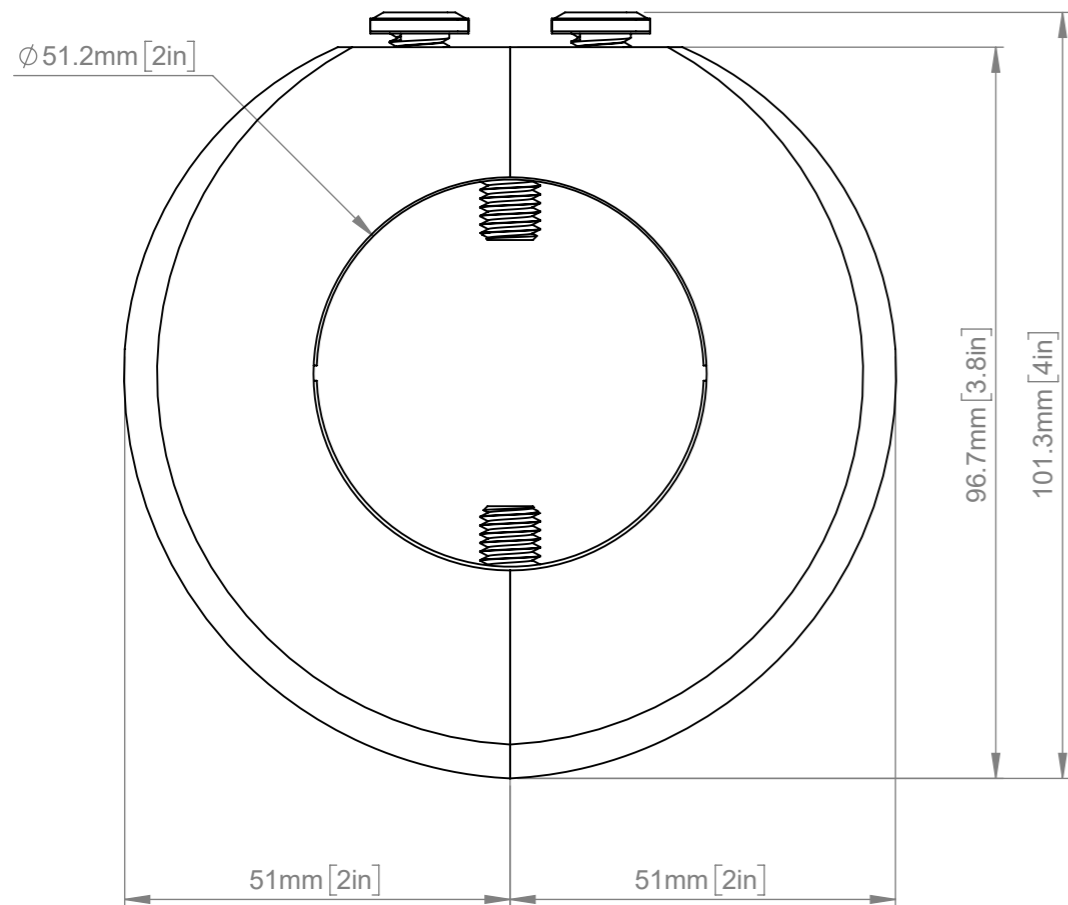
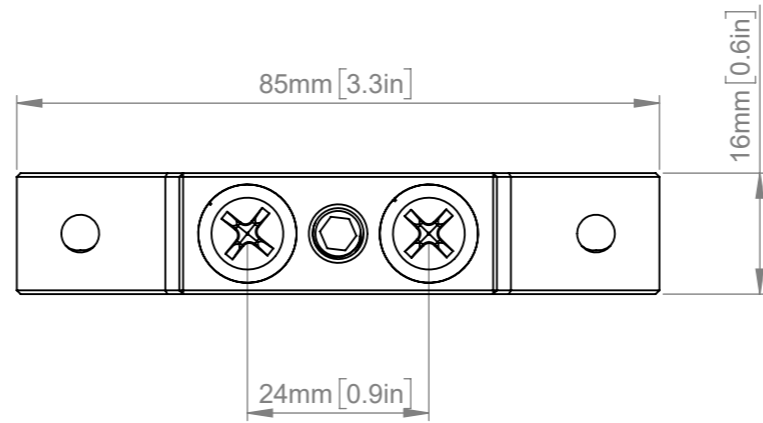



Including Cover



Excluding Cover



ISOMETRIC VIEW
SCALE: 1 : 2

B-Tech International Design & Manufacturing Limited Part of the B-Tech International Group		B-Tech No: BT7841
		Title: SYSTEM 2 - 2 Piece Accessory collar
 UNLESS OTHERWISE SPECIFIED DIMENSIONS ARE IN MILLIMETERS	Size: A3	Revision: R05
	Scale: 1:1	Date: 15/03/2022
	Sheet: 1 of 1	File Name: BTD-BT7841