

WishbonePlus™



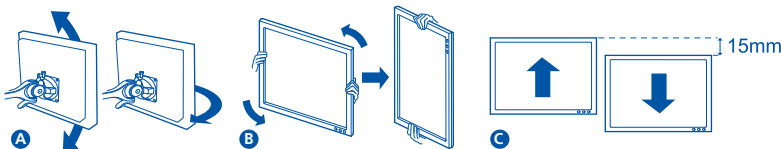
colebrookbossonsaunders

**DID YOU KNOW?**

The new Wishbone Plus monitor arm can support a weight of up to 24kg which is the weight of an average 7 year old boy.



24KG



**Wishbone Plus technical specifications...**

- Maximum monitor weight: 24kg (52.8lbs)
- Arm reach: 140mm to 470mm (5.5" to 18.7")
- Monitor head: 45° upward tilt, 35° downward tilt (*fig A*)
- VESA 100 compliant
- Wishbone Plus is available in silver and black
- Landscape to portrait screen orientation (*fig B*)
- Micro height screen adjustment (15mm) to align multiple screens (*fig C*)

The new Wishbone Plus monitor arm can support a weight of up to 24kg. A standard 30" flat screen monitor weighs approximately 15kg. So, if you're looking to support a bigger screen in either a portrait or landscape format then support it safely and securely with Wishbone Plus.

**Wishbone Plus:** leading the field.

+44 (0)20 7940 4266  
sales@cbsproducts.co.uk  
colebrookbossonsaunders.com



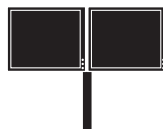
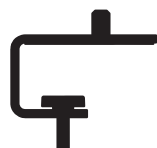
UK France Germany Benelux Russia  
USA Canada Australia Japan UAE



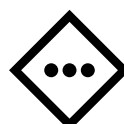
- Supports heavier screens, suitable for the modern multi-screen environment
- Easy to position from portrait to landscape orientation
- Integral Fine Height Adjuster ensures accurate screen positioning when aligning multiple screens

Wishbone  
Plus™

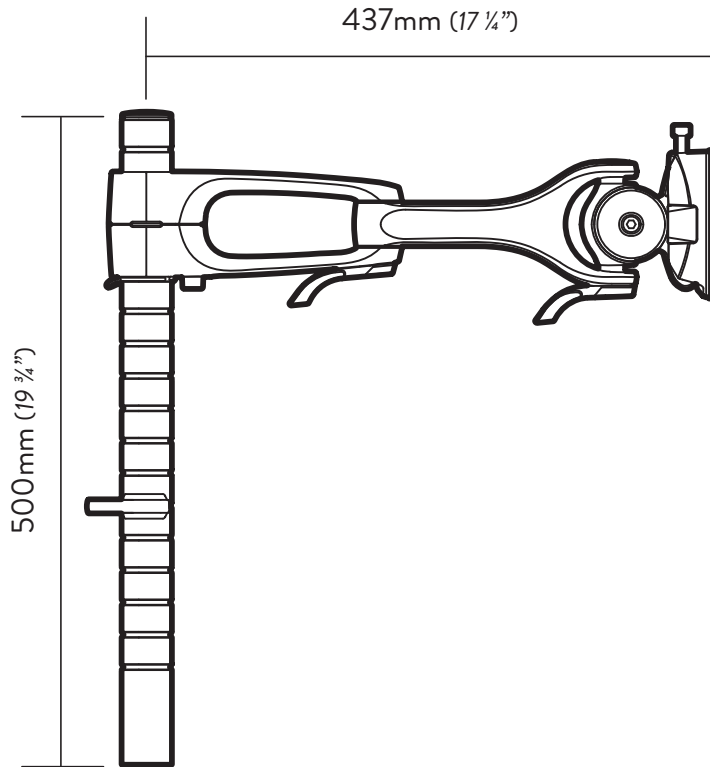
**SUPPORTS  
HEAVIER MONITORS  
IN SINGLE AND  
MULTI-SCREEN  
ARRANGEMENTS**



info@cbsproducts.co.uk  
www.colebrookbossonsaunders.com



colebrook bosson saunders



## CODE WSH/011

High Load Flat Screen Monitor Arm

### TECHNICAL INFORMATION

- Net product weight 1.9kg
- Lifetime warranty
- VESA 100 compliant



	Total Material Weight (g)	Material Type Recycled Content (%)	% PIR of Total Weight	% PCR of Total Weight	% of Total Product Recyclable
Aluminium	1190	95	32	28	63
Steel	230	13	-	1	12
Plastic	250	-	-	-	-
Zinc	214	44	2	2	11
<b>Total</b>	<b>1884</b>	<b>67</b>	<b>34</b>	<b>32</b>	<b>100</b>

Data sheets are available for more detailed product information.  
Please contact your Account Manager on +44(0)207 940 4266.