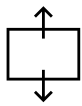
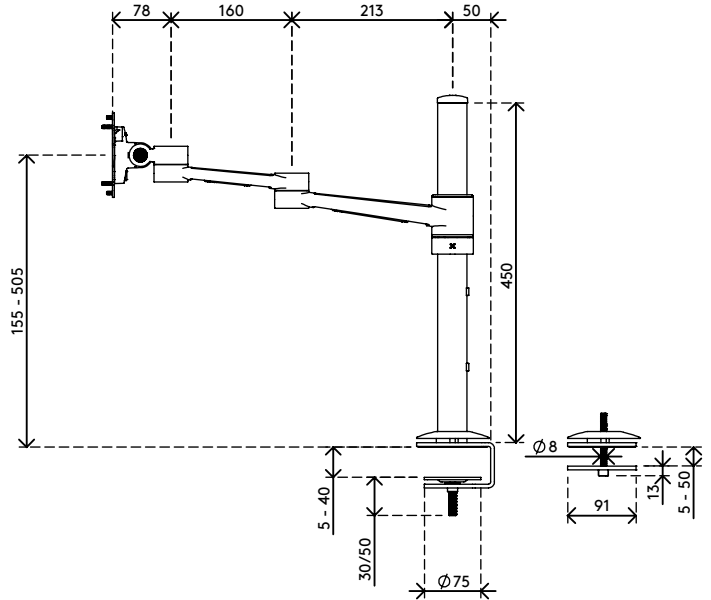
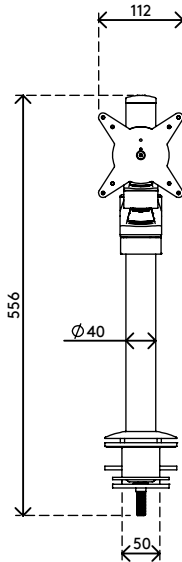
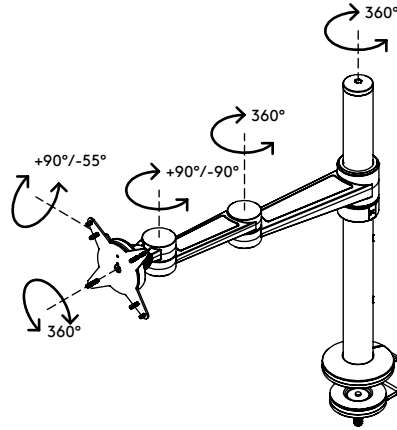
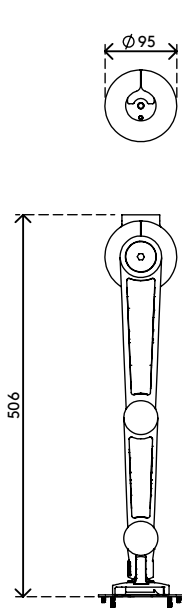


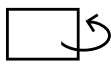
# viewlite X



350 mm (13,8")



+90°/-55°



+90°/-90°



360°



978 mm (38,5")



75 x 75/100 x 100



8 kg

## Viewlite Monitorarm - Schreibtisch 120

2021/01/05

# 58.120

596 x 250 x 112 mm

1 pcs

weiß

4,10 kg

805410581206