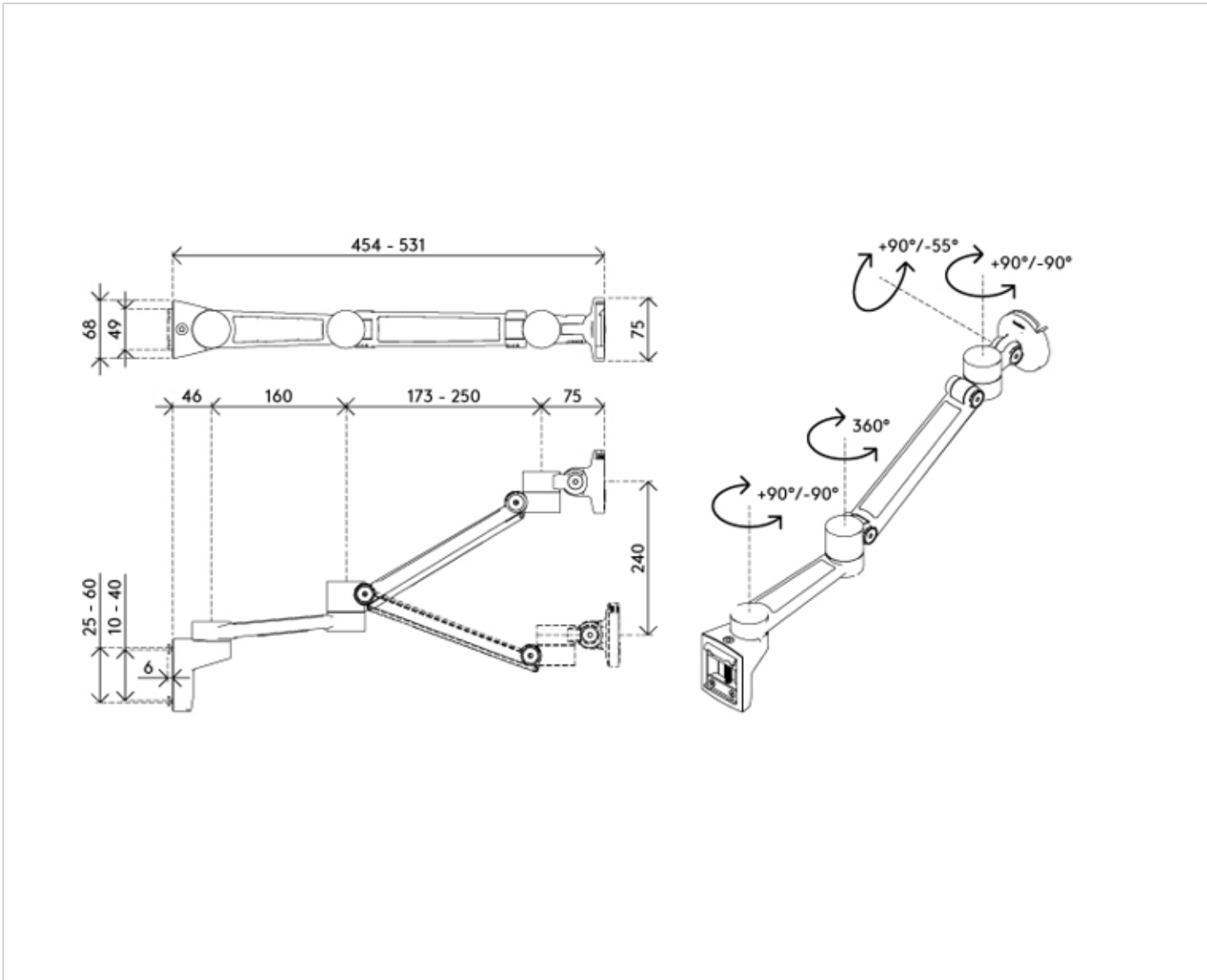
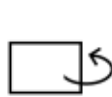


viewlite



+90°/-55°



+90°/-90°



360°



75 x 75/100 x 100




8 kg

Viewlite Monitorarm - Schiene 422


2016/03/25

58.522

 350 x 220 x 130 mm

 1 pcs

 silber-Weiß

 2,055 kg

 4260661463248