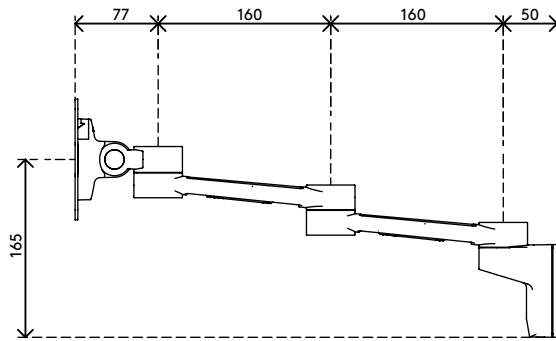
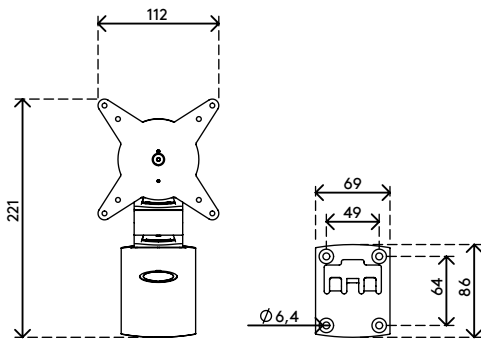
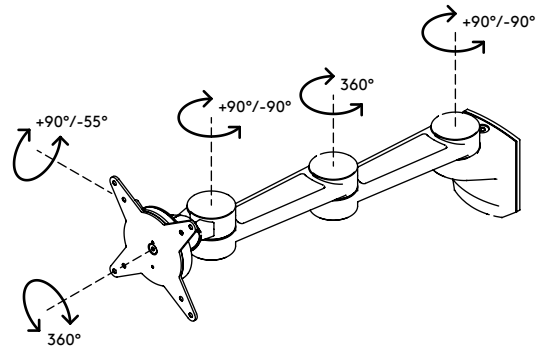
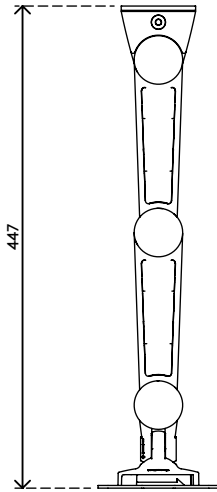
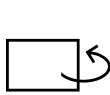


# viewlite X



+90°/-55°



+90°/-90°



360°



75 x 75/100 x 100



8 kg

## Viewlite Monitorarm - Wand 222


2019/06/24


# 58.222

 347 x 217 x 128 mm

 1 pcs

 silber-Weiß

 1,84 kg

 805410582227