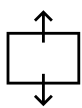
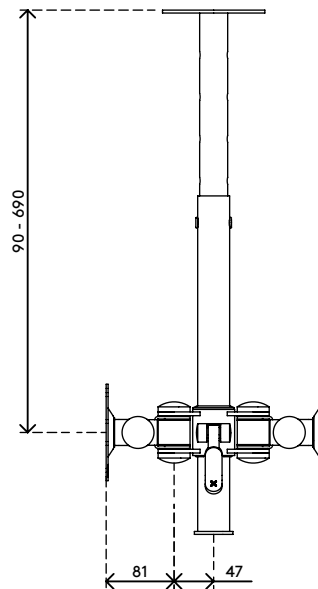
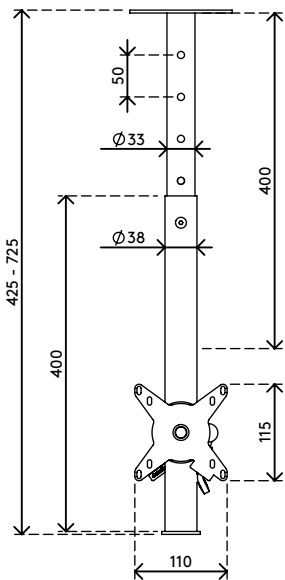
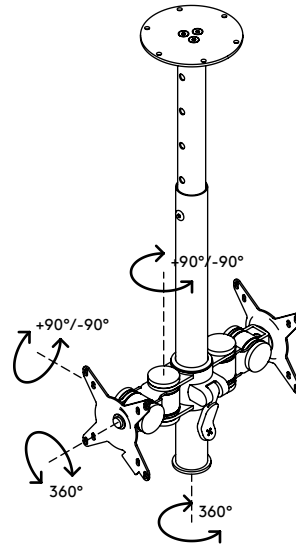
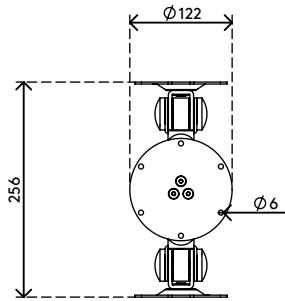


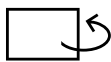
# viewmate <sup>x</sup>



600 mm (23,6")



+90°/-90°



+90°/-90°



360°



1104 mm (43,5")



75 x 75/100 x 100



(2x) 15 kg

## Viewmate Monitorarm - Decke 572

2019/06/24

# 52.572

530 x 185 x 135 mm

1 pcs

silber

3,6 kg

805410525729