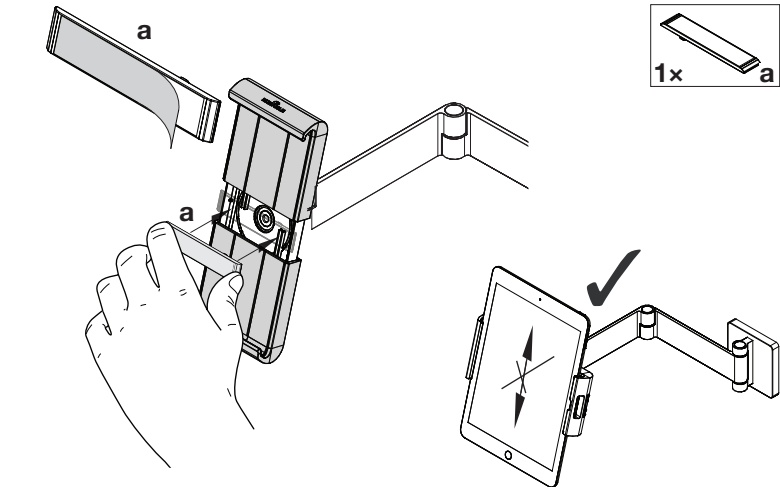
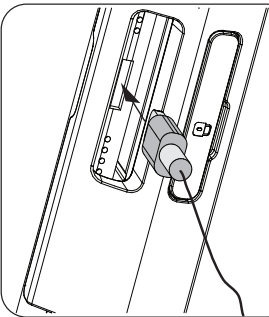
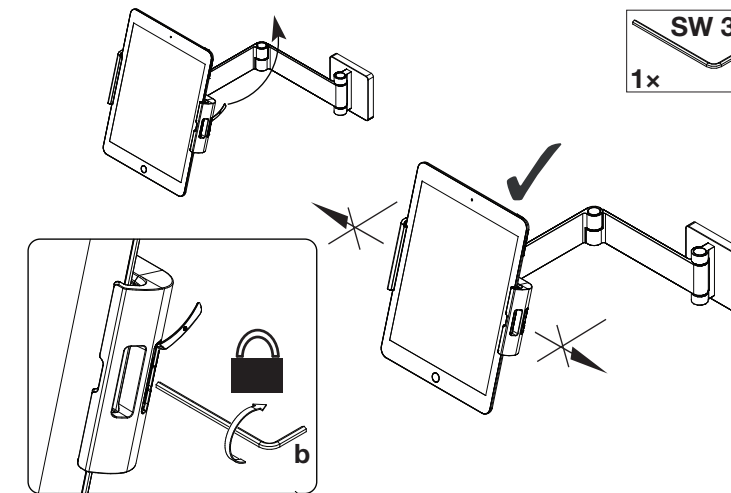


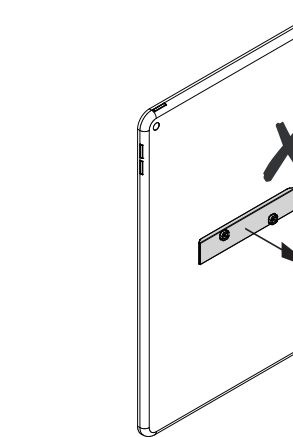
8 | TABLET HOLDER WALL ARM



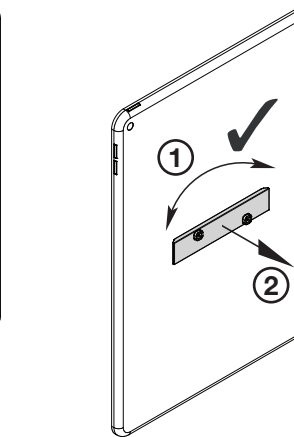
9 | TABLET HOLDER WALL ARM



10 | TABLET HOLDER WALL ARM

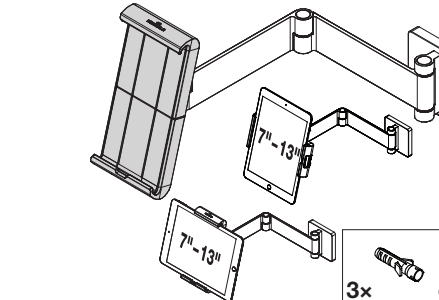


11 | TABLET HOLDER WALL ARM

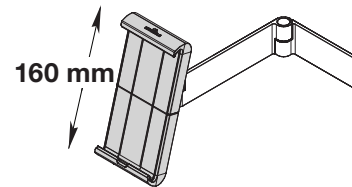


# 8934

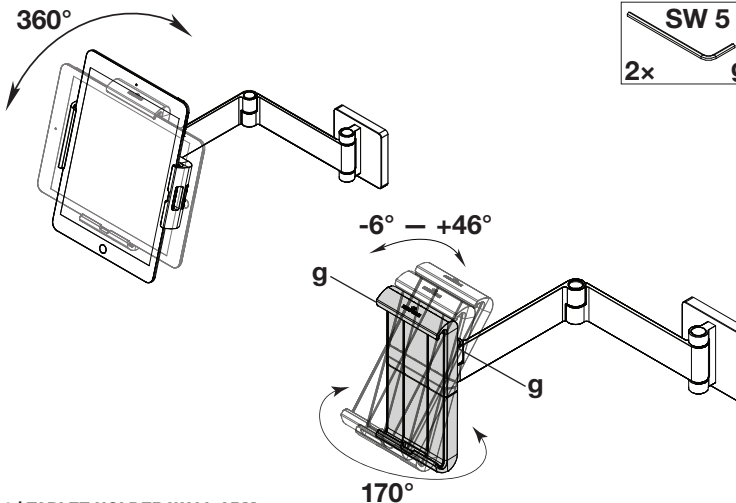
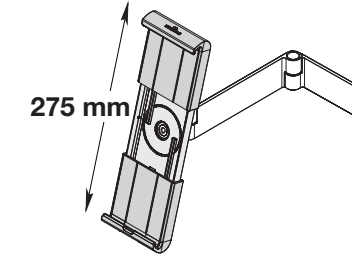
# TABLET HOLDER WALL ARM



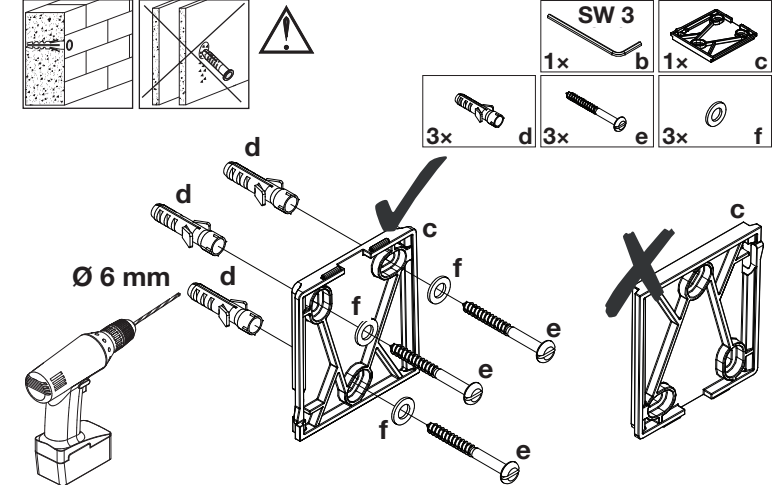
- |      |      |      |
|------|------|------|
| 1x a | 1x b | 1x c |
| 3x d | 3x e | 3x f |
|      | 2x g |      |



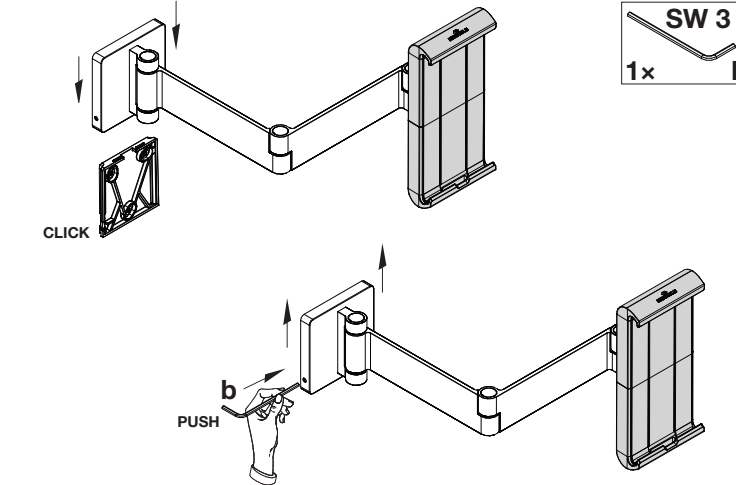
2 | TABLET HOLDER WALL ARM



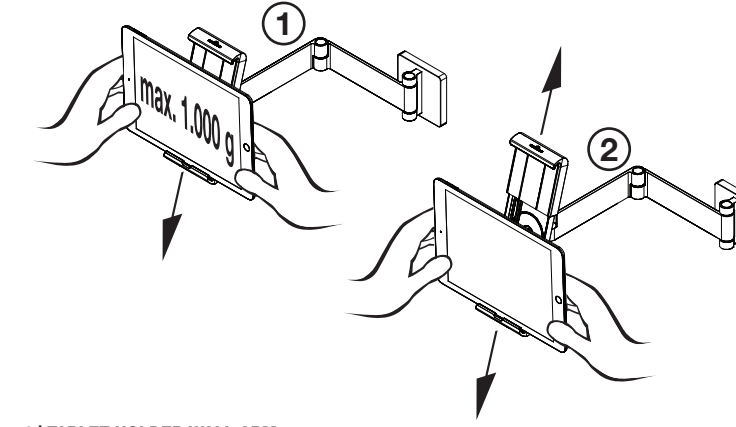
3 | TABLET HOLDER WALL ARM



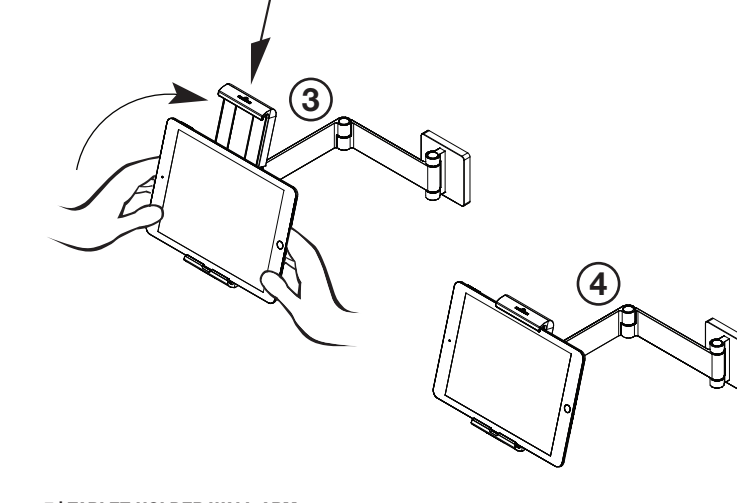
4 | TABLET HOLDER WALL ARM



5 | TABLET HOLDER WALL ARM



6 | TABLET HOLDER WALL ARM



7 | TABLET HOLDER WALL ARM