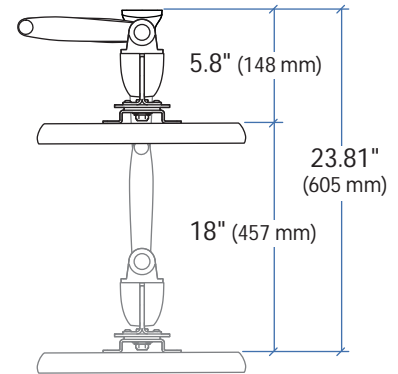
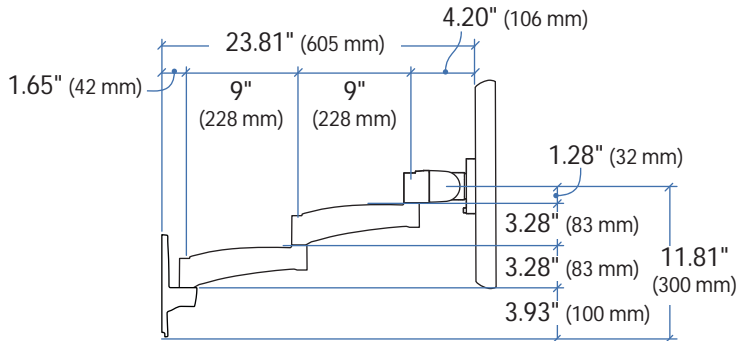


Ergotron® 200 Series

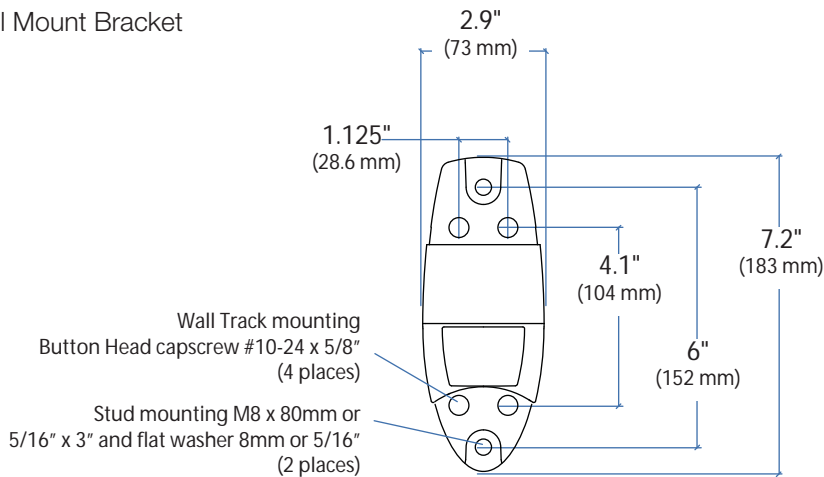
Dimensional Illustrations

Wall Mount Arm

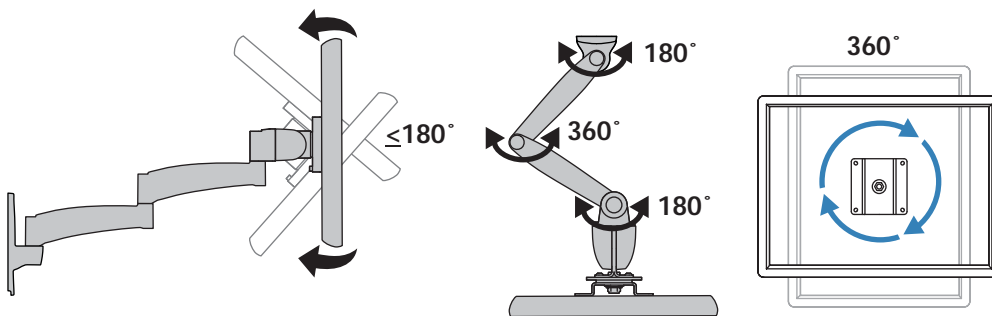


Top View

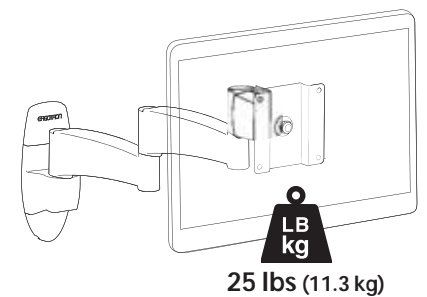
Wall Mount Bracket



Range of Motion



Maximum Weight Capacity



© 2009 Ergotron, Inc. rev. 1/29/2009 DIM-200 Arm2 Content is subject to change without notification

Americas Sales and Corporate Headquarters

St. Paul, MN USA
(800) 888-8458
+1-651-681-7600
www.ergotron.com
sales@ergotron.com

EMEA Sales

Amersfoort, The Netherlands
+31 33 45 45 600
www.ergotron.com
info.eu@ergotron.com

APAC Sales

Tokyo, Japan
www.ergotron.com
info.apac@ergotron.com

Worldwide OEM Sales

www.ergotron.com
info.oem@ergotron.com

