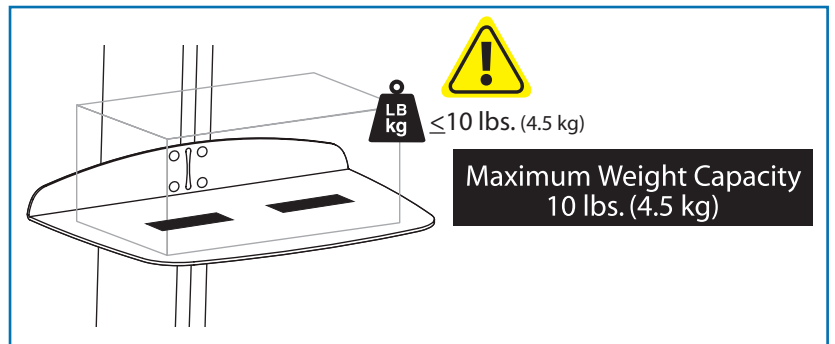
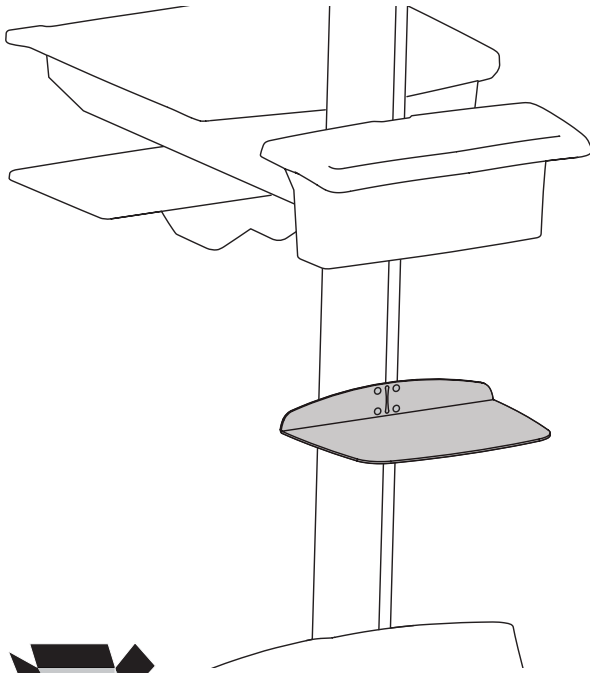


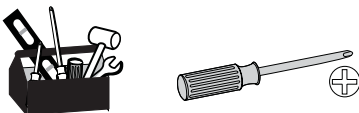
StyleView Accessory, Utility Shelf

www.ergotron.com
 USA 1-800-888-8458
 Europe +31 (0)33-45 45 600
 China 86-769-86018920

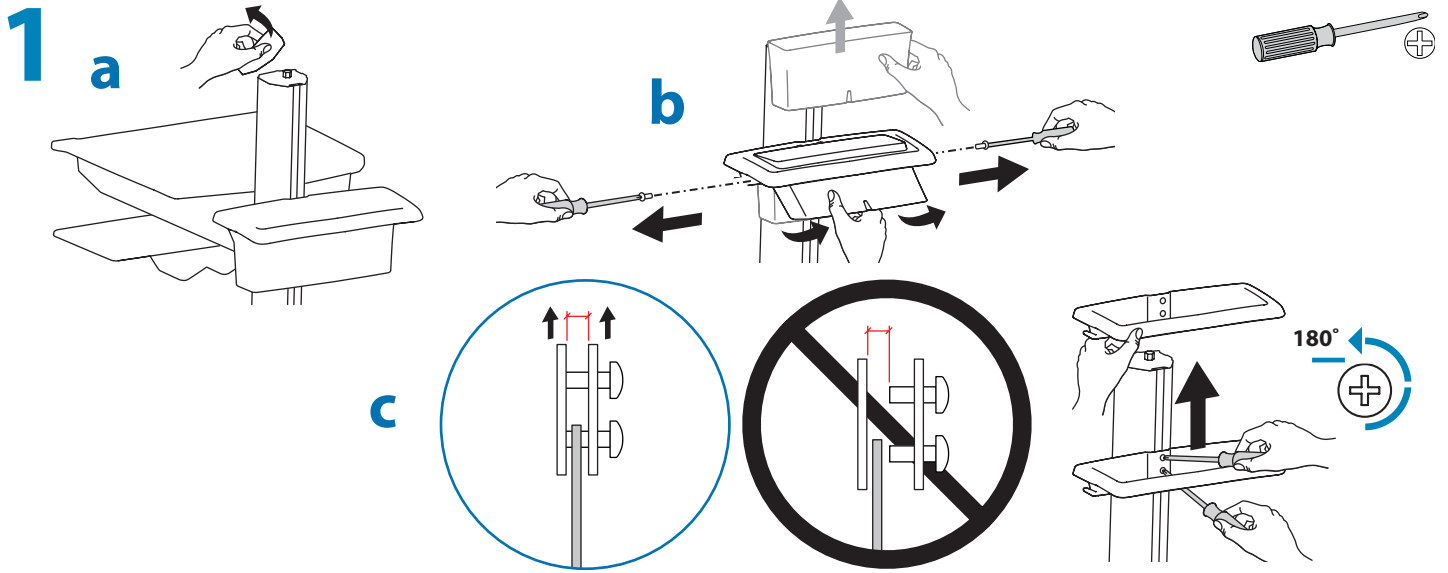
ASSEMBLY INSTRUCTIONS, StyleView Accessory, Utility Shelf
Instrucciones de instalación, Accesorio StyleView, Estantería de servicios generales
Notice d'assemblage, Accessoire StyleView, Étagère de rangement
Montageanleitungen, Zubehör für StyleView, Ablagefach
Installatie instructies, Accessoire StyleView, plank
Manuali d'Istruzione, Accessorio StyleView, Scaffale per applicazioni
 取扱説明書, スタイルビューアクセサリ, ユーティリティシェルフ
 安装说明, StyleView 附件, 设备托架
 설치 안내, StyleView 부속품, 다용도 선반



A		B	
1	1x	1x	2x
Mounting Hardware, 1 T-Slot		Mounting Hardware, 2 T-Slot	
2	1x	1x	1x
3	4x M5 x 6mm	4x M5 x 6mm	4x M5 x 6mm
4	2x M5 x 13mm	2x M5 x 13mm	4x M5 x 10mm
5	1x	1x	



Mounting Hardware, 1 T-Slot



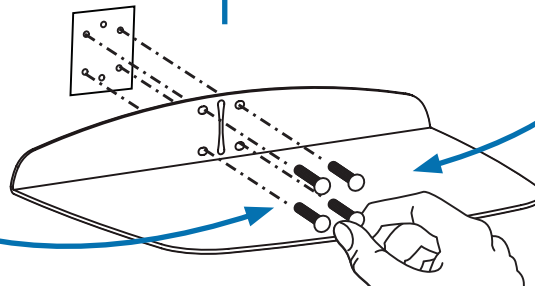
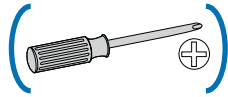
4x
M5 x 6mm

Security Screw
Tornillo de seguridad
Vis de sécurité
Sicherheitsschraube mit Innenfünfkant
Veiligheidssleutel
Vite di sicurezza
固定ネジ
安全螺丝
Security Screw(안전 스크루)



5-sided Security Wrench
Llave de seguridad pentagonal
Clef Allen de sécurité
Fünfkant-Inbusschlüssel
5-kantige veiligheidsleutel
Chiave pentagonale di sicurezza
5角固定用レンチ
5角安全扳手
5면 Security Wrench(안전 렌치)

4x
M5 x 6mm



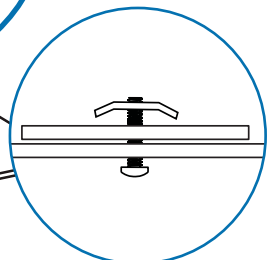
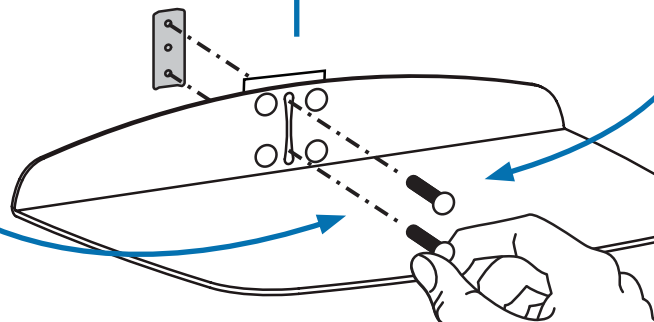
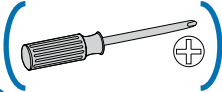
2x
M5 x 13mm

Security Screw
Tornillo de seguridad
Vis de sécurité
Sicherheitsschraube mit Innenfünfkant
Veiligheidssleutel
Vite di sicurezza
固定ネジ
安全螺丝
Security Screw(안전 스크루)

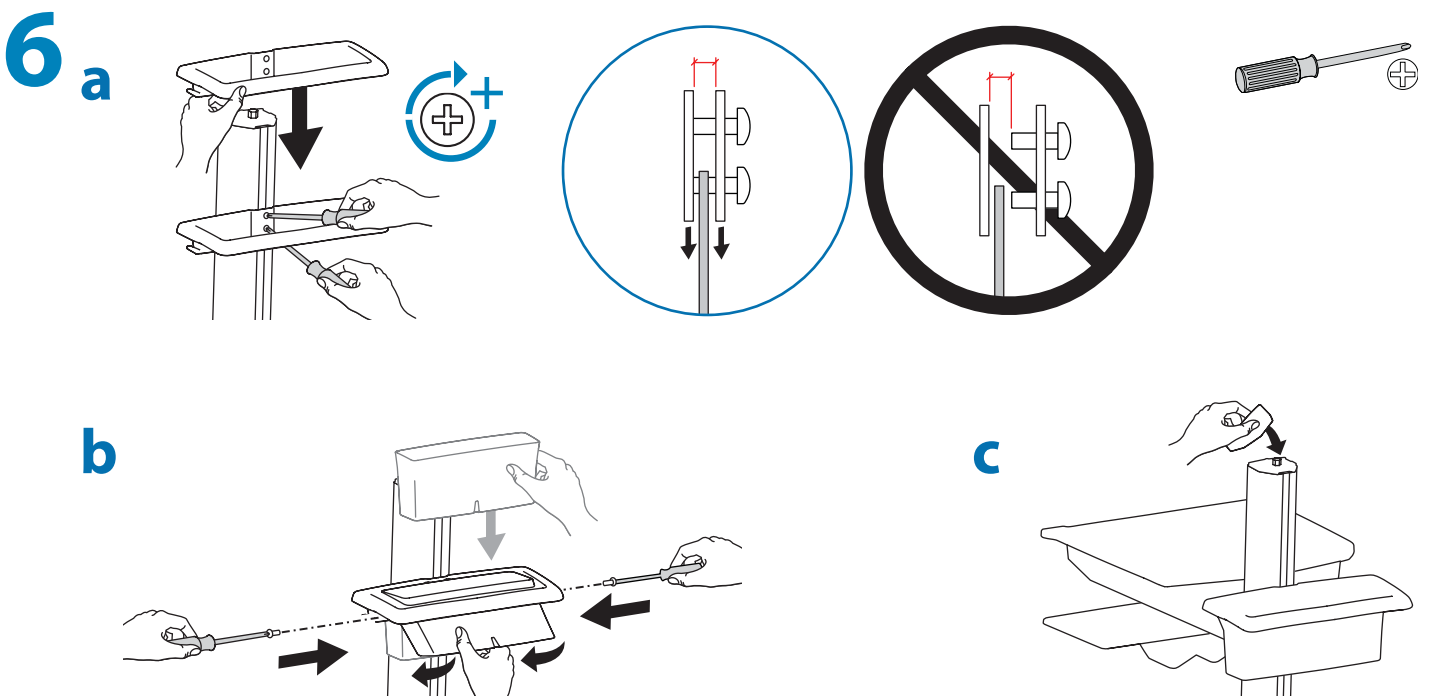
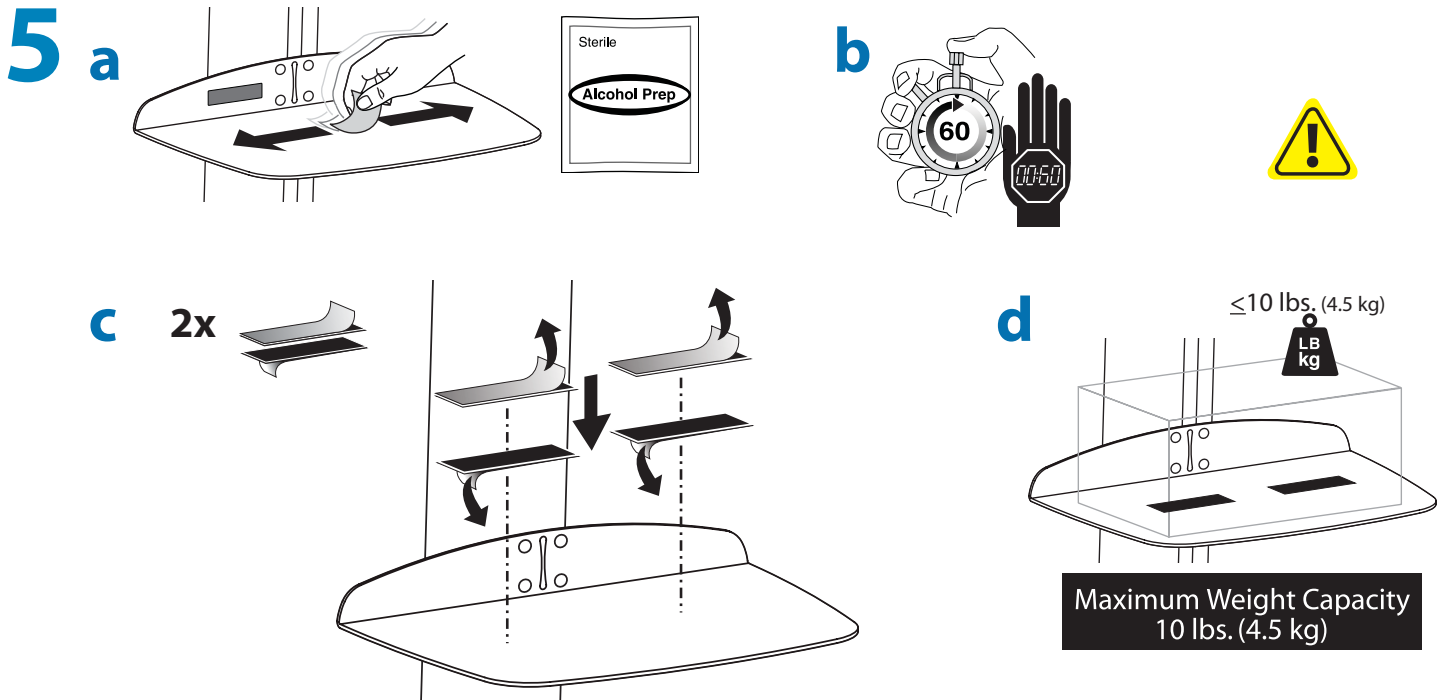
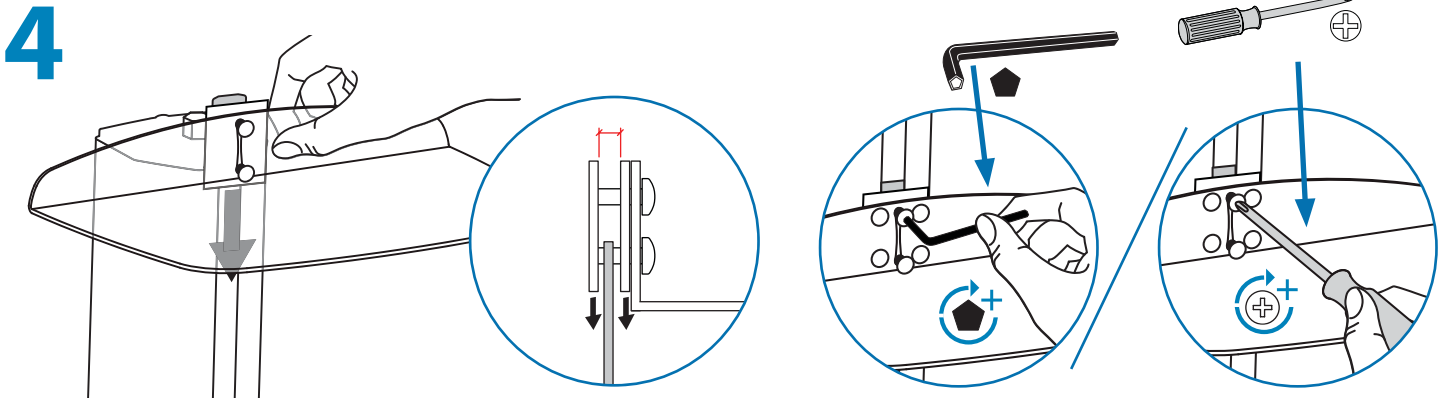


5-sided Security Wrench
Llave de seguridad pentagonal
Clef Allen de sécurité
Fünfkant-Inbusschlüssel
5-kantige veiligheidsleutel
Chiave pentagonale di sicurezza
5角固定用レンチ
5角安全扳手
5면 Security Wrench(안전 렌치)

2x
M5 x 13mm

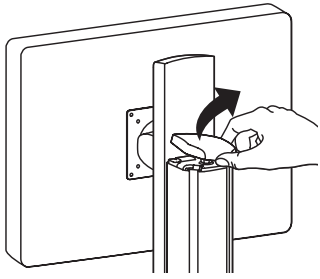


Mounting Hardware, 1 T-Slot

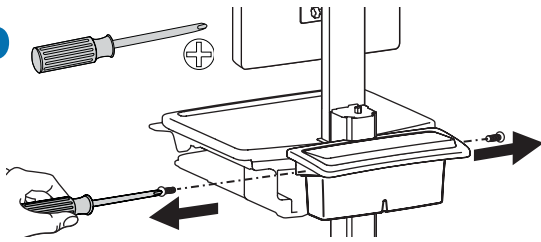


Mounting Hardware, 2 T-Slot

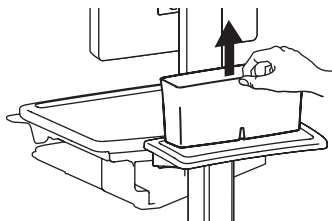
1 a



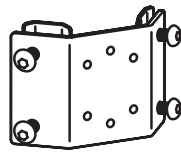
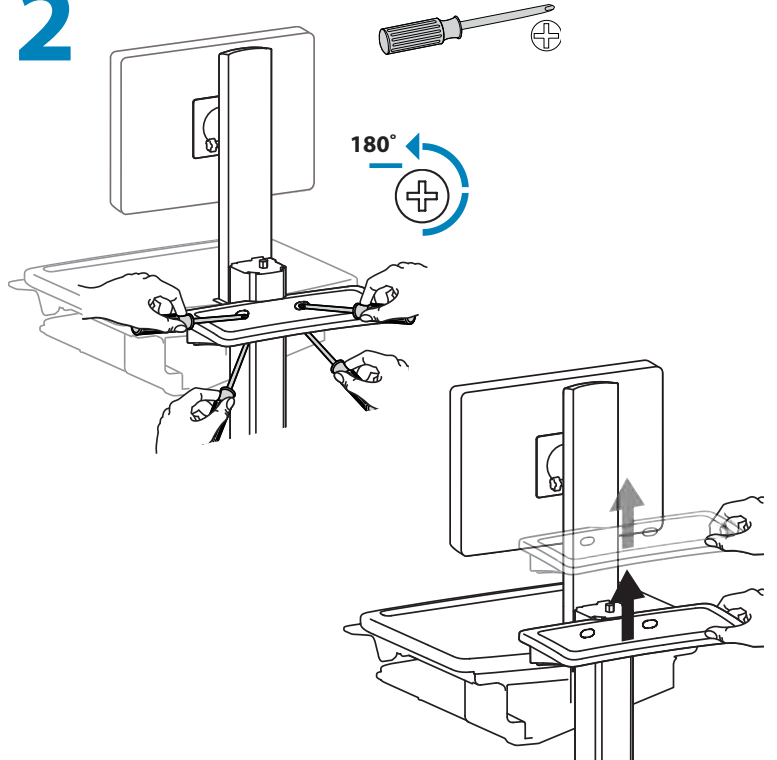
b



c



2



3

4x



M5 x 10mm

Security Screw
 Tornillo de seguridad
 Vis de sécurité
 Sicherheitsschraube mit Innenfünfkant
 Veiligheidssleutel
 Vite di sicurezza
 固定ネジ
 安全螺丝
 Security Screw(안전 스크루)

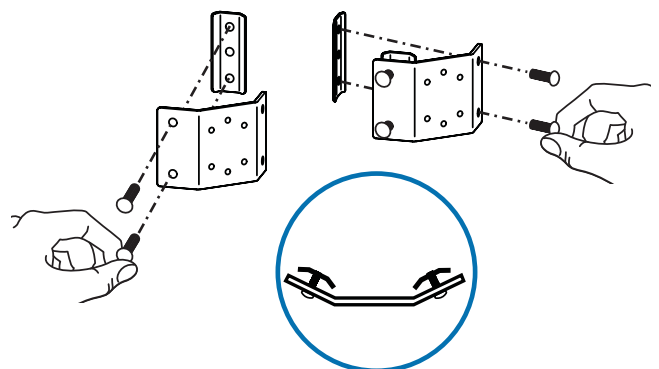
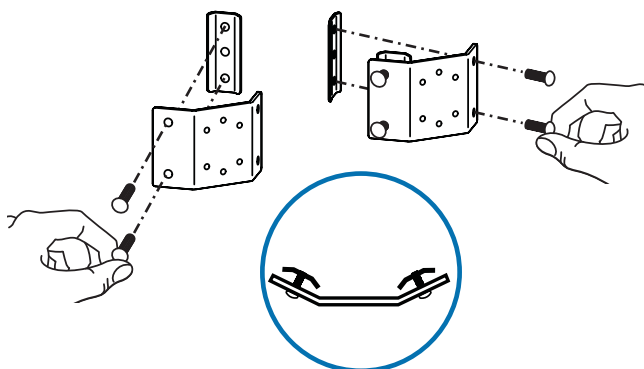
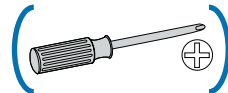


5-sided Security Wrench
 Llave de seguridad pentagonal
 Clef Allen de sécurité
 Fünfkant-Inbusschlüssel
 5-kantige veiligheidssleutel
 Chiave pentagonale di sicurezza
 5角固定用レンチ
 5角安全扳手
 5면 Security Wrench(안전 렌치)

4x

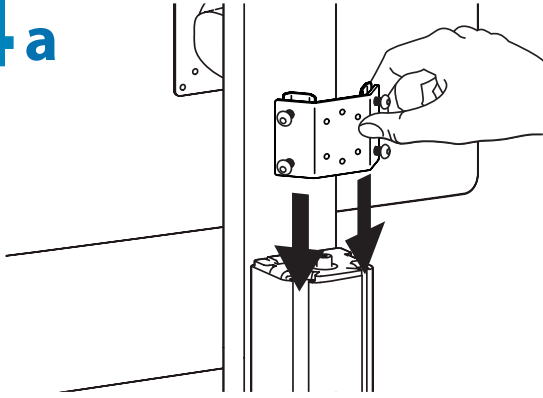


M5 x 10mm

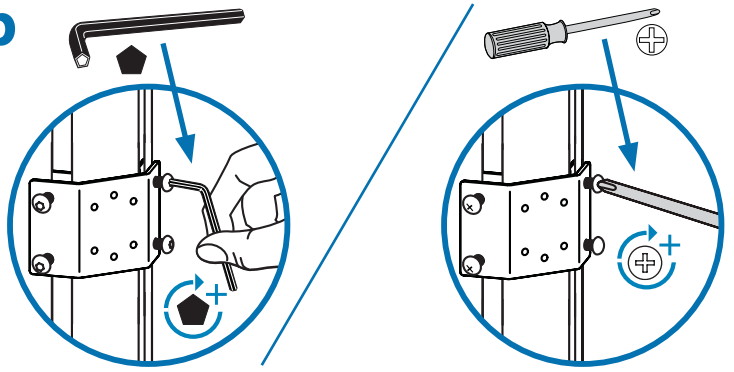


Mounting Hardware, 2 T-Slot

4a



b



4x



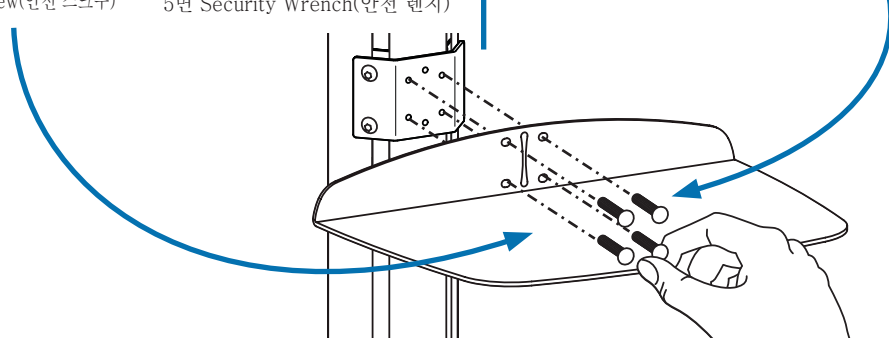
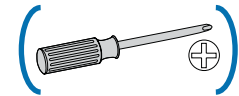
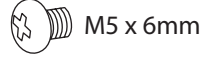
M5 x 6mm
 Security Screw
 Tornillo de seguridad
 Vis de sécurité
 Sicherheitsschraube mit Innenfünfkant
 Veiligheidsleutel
 Vite di sicurezza
 固定ネジ
 安全螺丝
 Security Screw(안전 스크루)



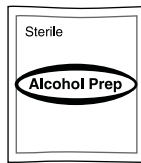
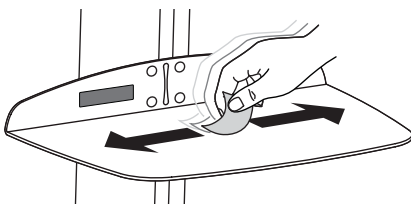
5-sided Security Wrench
 Llave de seguridad pentagonal
 Clef Allen de sécurité
 Fünfkant-Inbusschlüssel
 5-kantige veiligheidsleutel
 Chiave pentagonale di sicurezza
 5角固定用レンチ
 5角安全扳手
 5면 Security Wrench(안전 렌치)

5

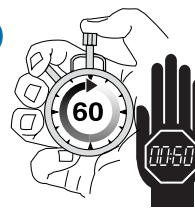
4x



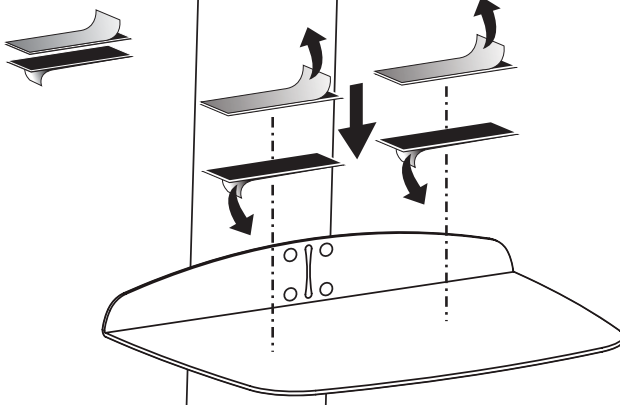
6 a



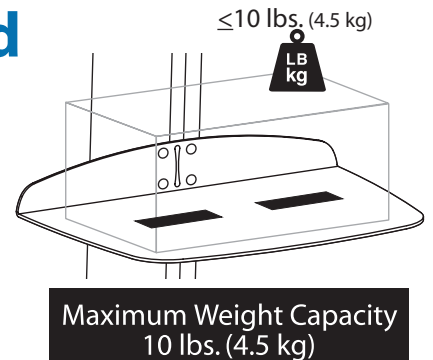
b



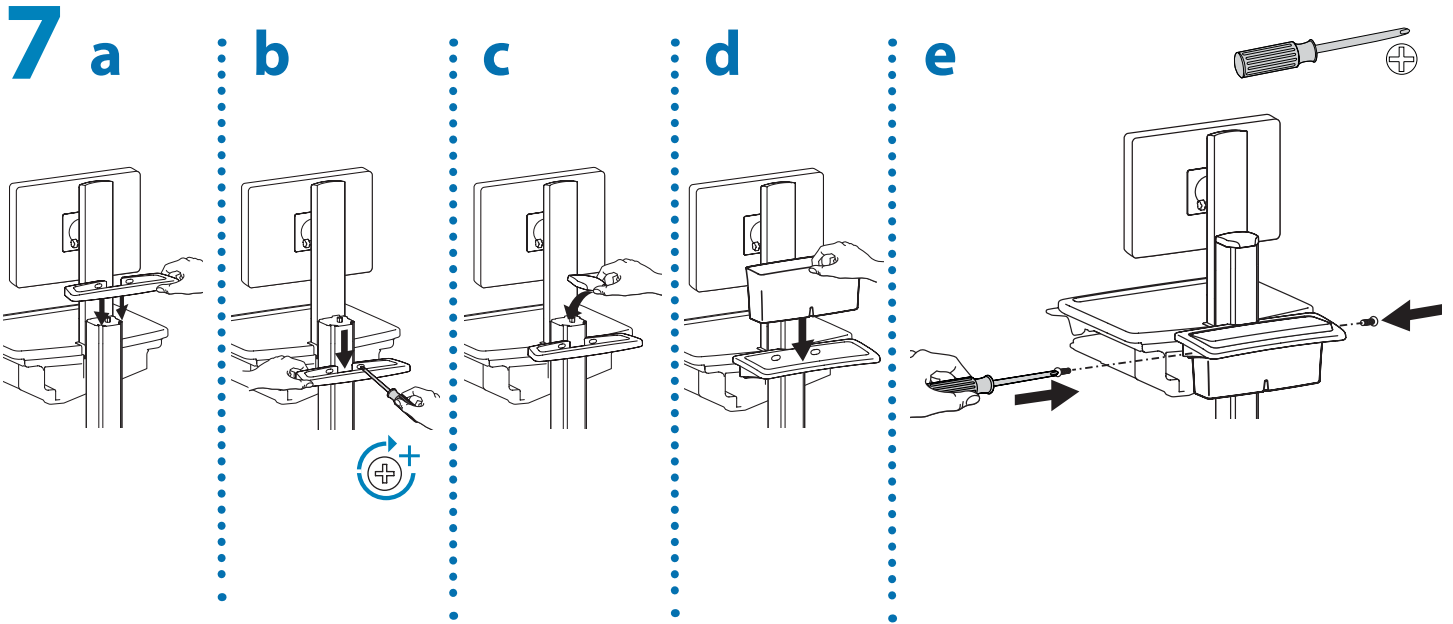
c 2x



d



Mounting Hardware, 2 T-Slot



© 2012 Ergotron, Inc.
All rights reserved.

While Ergotron, Inc. makes every effort to provide accurate and complete information on the installation and use of its products, it will not be held liable for any editorial errors or omissions (including those made in the process of translation from English to another language), or for incidental, special or consequential damages of any nature resulting from furnishing this instruction and performance of equipment in connection with this instruction. Ergotron, Inc. reserves the right to make changes in the product design and/or product documentation without notification to its users. For the most current product information, or to know if this document is available in languages other than those herein, please contact Ergotron. No part of this publication may be reproduced, stored in a retrieval system, or transmitted in any form or by any means, electronic, mechanical, photocopying, recording or otherwise without the prior written consent of Ergotron, Inc., 1181 Trapp Road, Eagan, Minnesota, 55121, USA. Patents Pending and Patented U.S. & Foreign. Ergotron is a registered trademark of Ergotron, Inc.

Americas Sales and Corporate Headquarters

St. Paul, MN USA
(800) 888-8458
+1-651-681-7600
www.ergotron.com
sales@ergotron.com

EMEA Sales

Amersfoort, The Netherlands
+31 33 45 45 600
www.ergotron.com
info.eu@ergotron.com

APAC Sales

Tokyo, Japan
www.ergotron.com
apacustomerservice@ergotron.com

Worldwide OEM Sales

www.ergotron.com
info.oem@ergotron.com