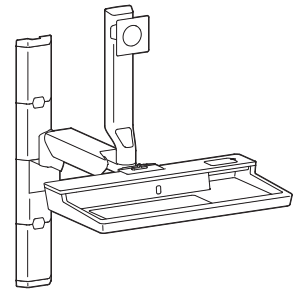
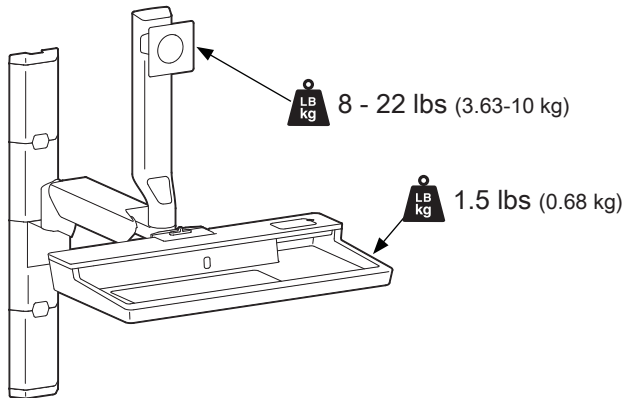
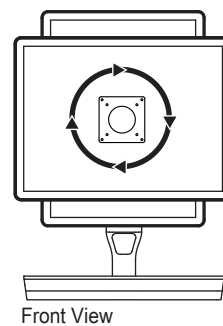
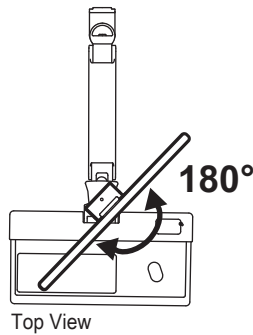
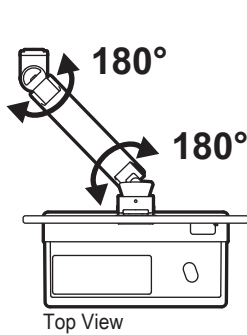
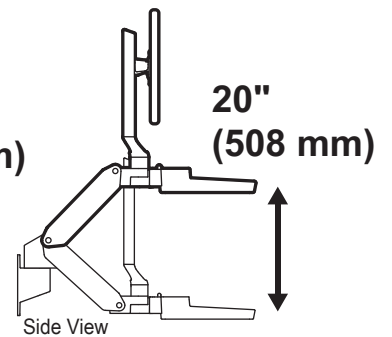
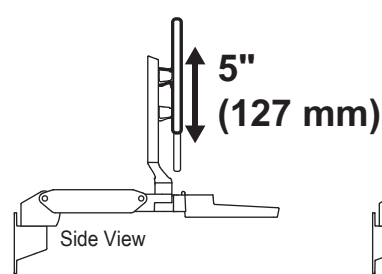
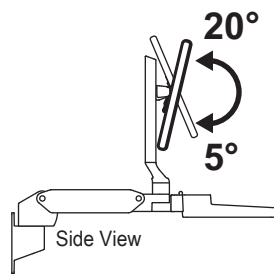
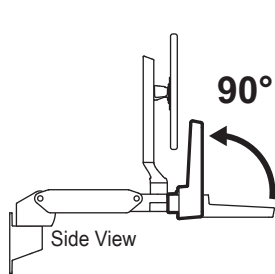


CareFit™ Combo System

WEIGHT CAPACITY



RANGE OF MOTION



Download additional resources at ergotron.com

USA & Canada Sales & Corporate Headquarters: St. Paul, MN USA / 800.888.8458 / +1.651.681.7600 / insidesales@ergotron.com

EMEA Sales: Amersfoort, The Netherlands / +31.33.45.45.600 / info.eu@ergotron.com

APAC Sales: Sydney, Australia / apaccustomerservice@ergotron.com

LATAM Sales: Mexico / +1.800.681.1820 / info.latam@ergotron.com

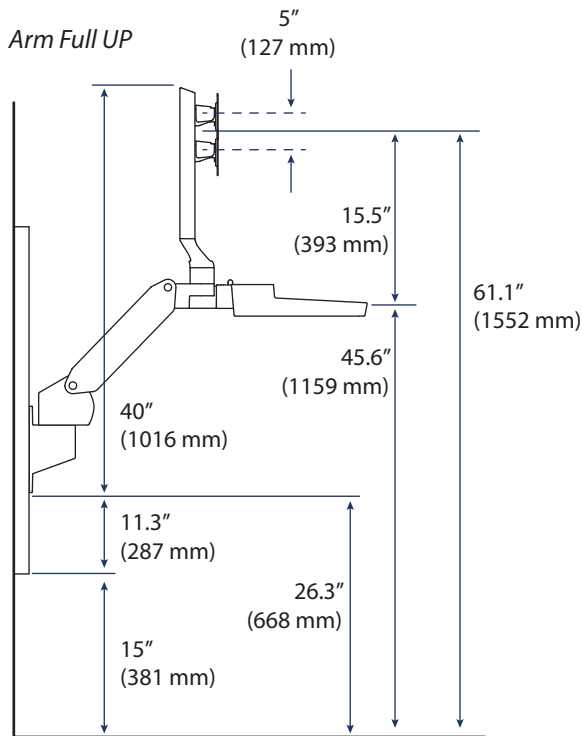
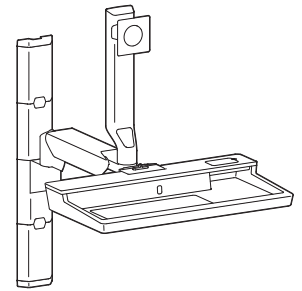
Worldwide Custom Sales: custom@ergotron.com

Ergotron devices are not intended to cure, treat, mitigate or prevent any disease. Patent information available at www.ergotron.com/patents

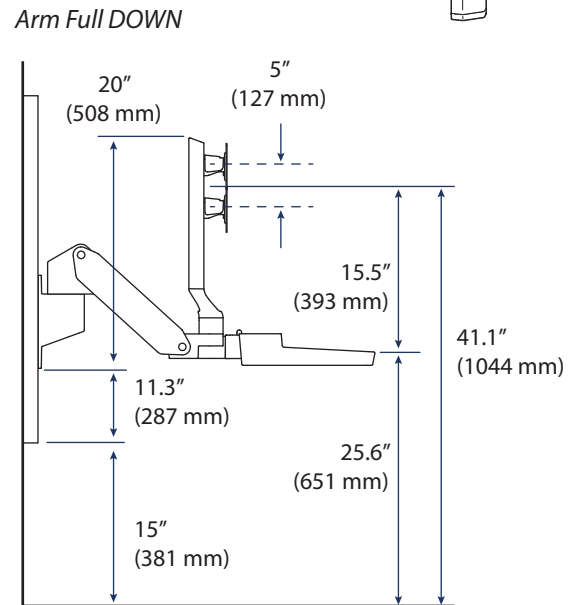
© 2022 Ergotron, Inc. rev. 05/11/2022 DIM-CFArmSys Content is subject to change without notification

CareFit™ Combo System

DIMENSIONS

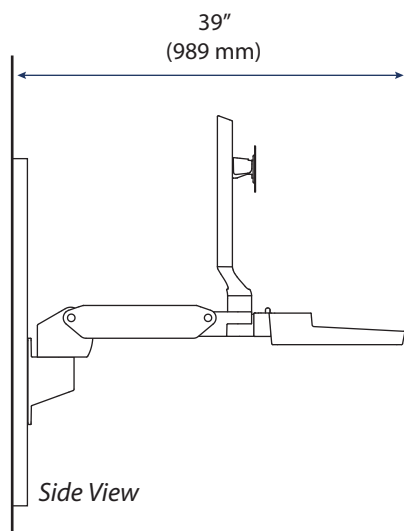


Side View



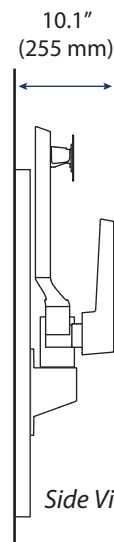
Side View

Fully Extended



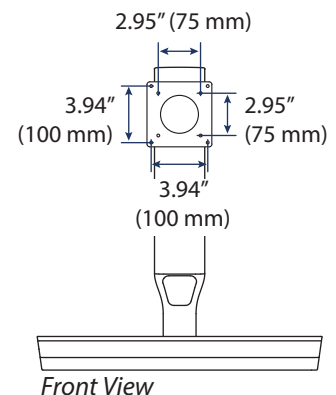
Side View

Folded Up Against Wall



Side View

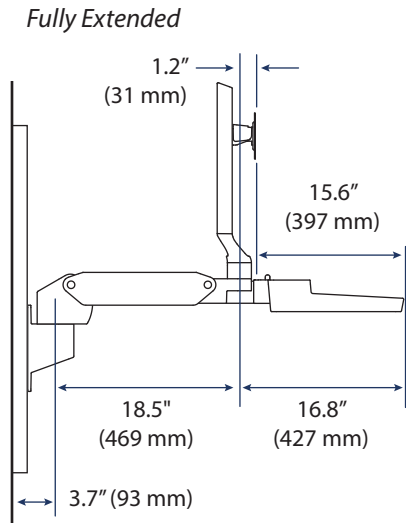
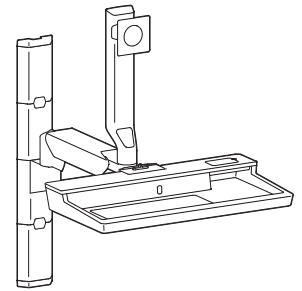
VESA Monitor Bracket



Front View

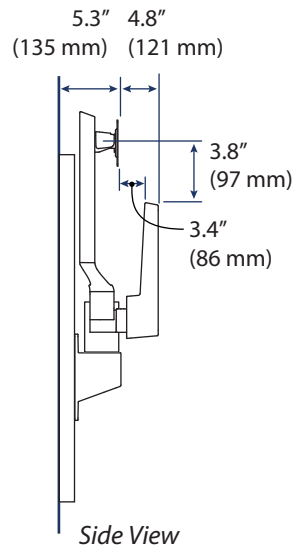
CareFit™ Combo System

DIMENSIONS



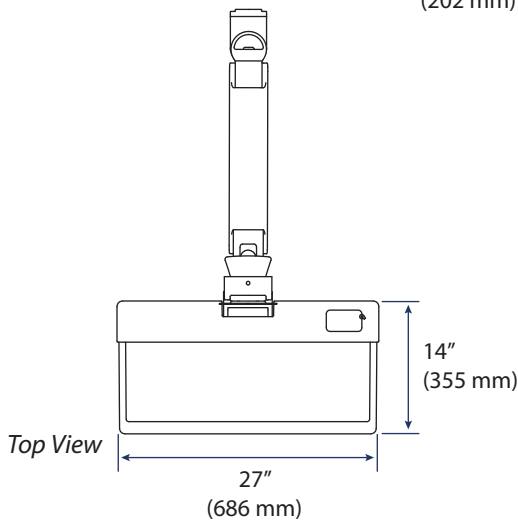
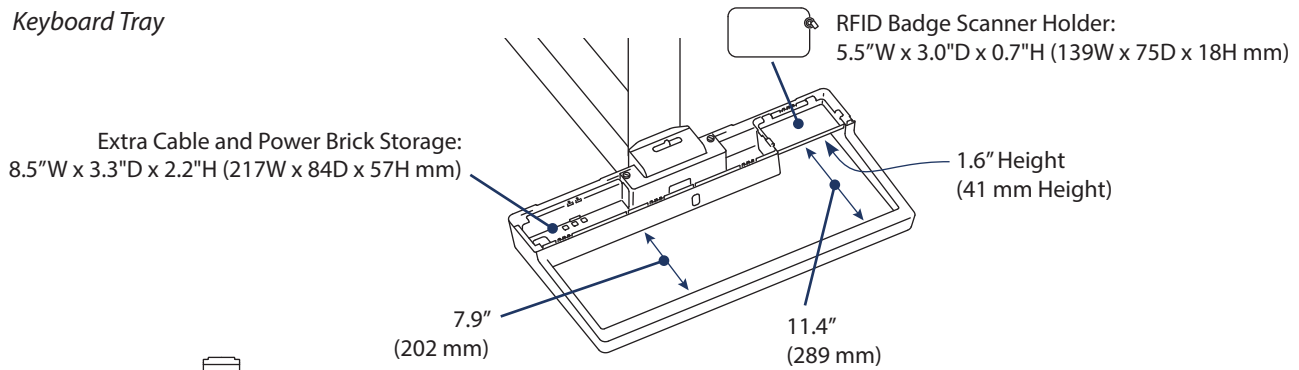
Side View

Folded Up Against Wall

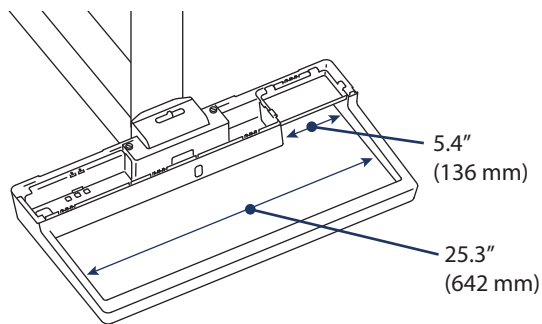


Side View

Keyboard Tray

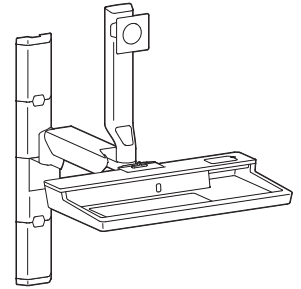


Top View

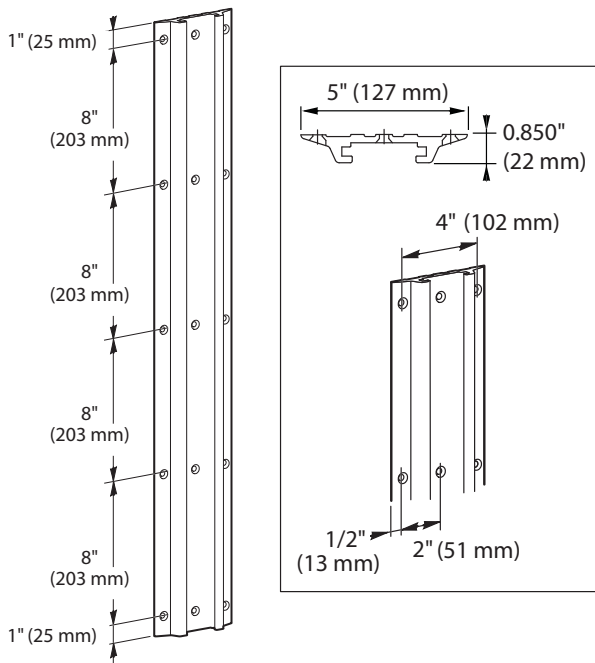


CareFit™ Combo System

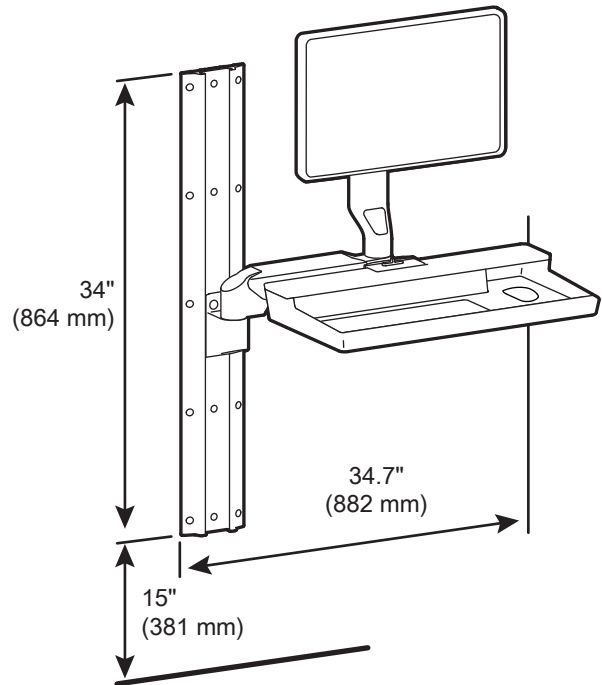
DIMENSIONS



Wall Track



Pushed back against the wall



CareFit™ Combo System

WALL MOUNTING OPTIONS

There are 4 wall types to mount to:

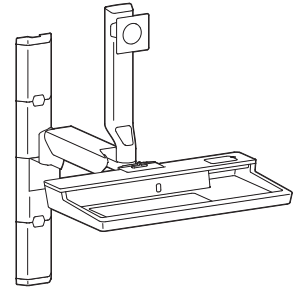
Wood (Provided mounting hardware)

Metal Stud (Provided mounting hardware)

Concrete (Need customer supplied fasteners)

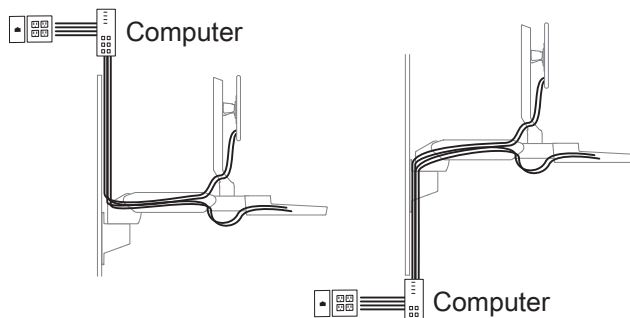
Hollow Wall:

- Provided mounting hardware
- Wall must be 5/8" or 16mm thick.
- The CareFit™ Combo Extender accessory can NOT be mounted to hollow wall.



CABLES

Cable length needed based on equipment and accessories:



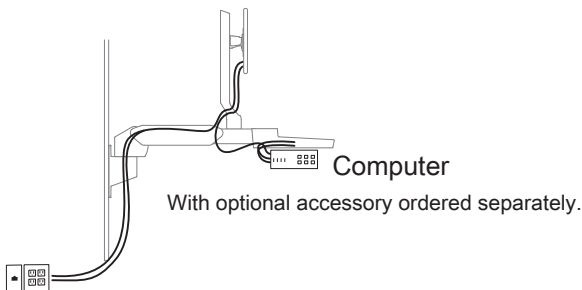
Cables:

HDMI: 6' (1.8 m)

Ethernet: 6' - 10' (1.8-3 m)

Monitor Power: 6' - 10' (1.8-3 m)

2.0 USB Extenders: 6' (1.8 m) per accessory



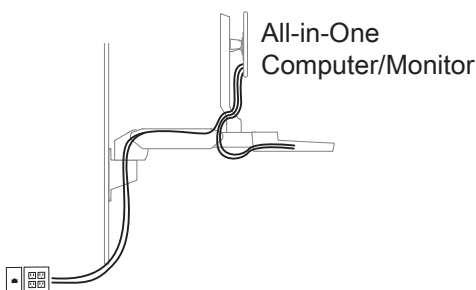
Cables:

HDMI: 4' (1.2 m)

Ethernet: 6' - 10' (1.8-3 m)

Monitor Power: 6' - 10' (1.8-3 m)

Computer Power: 6'-10' (1.8-3 m)



Cables:

Ethernet: 6' - 10' (1.8-3 m)

Monitor Power: 6' - 10' (1.8-3 m)