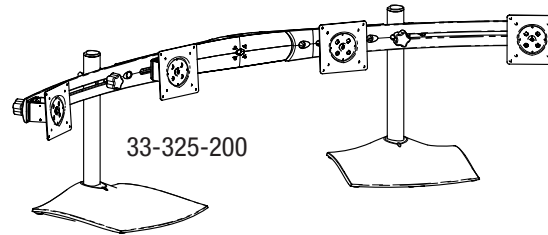
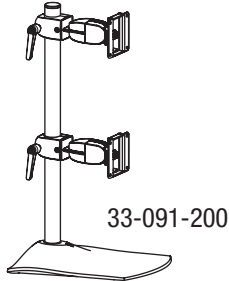
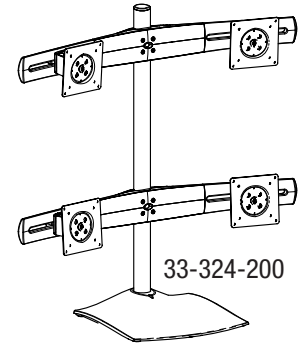
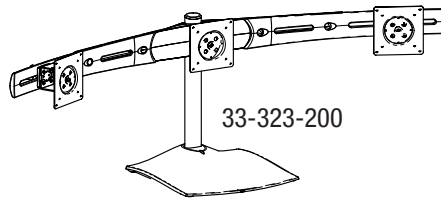
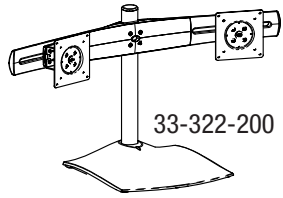


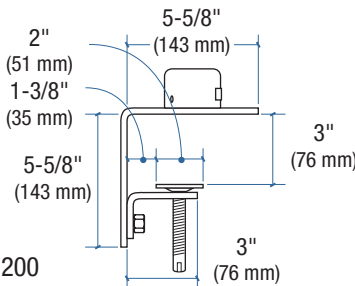
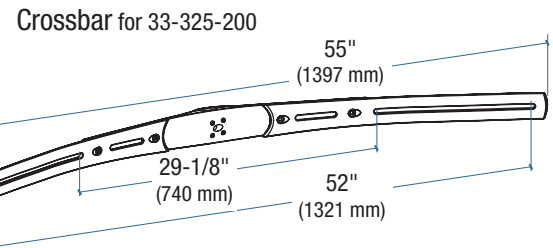
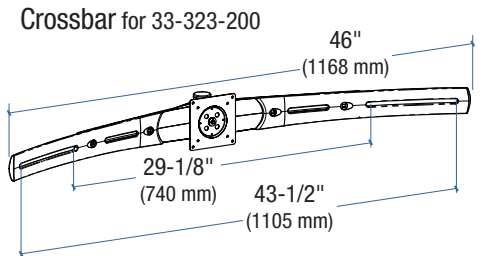
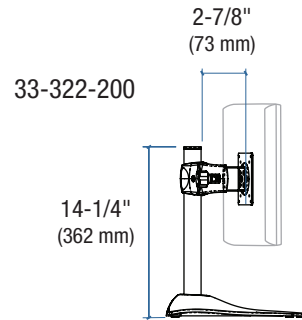
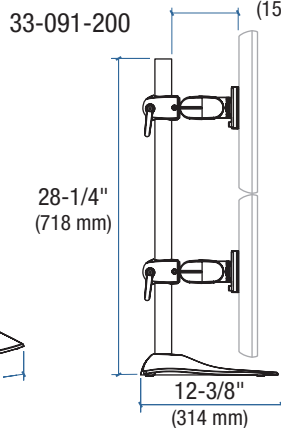
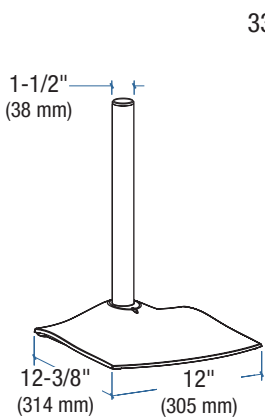
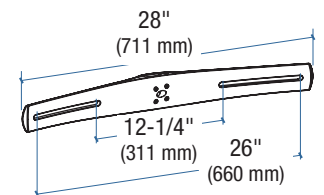
Ergotron® DS100 Series

Dimensional Illustrations

Dual, Triple, and Quad Desk Stands



Crossbar
for 33-322-200 and 33-324-200



Available Monitor Widths Using Crossbars

Number of Monitors (Horizontal Crossbar)	Allowable Monitor Width*
Dual-Monitor (28" Crossbar)	23-1/4" (590 mm)
Triple-Monitor (46" Crossbar)	20" (508 mm)
Triple-Monitor (55" Crossbar)	24.5" (622 mm)
Quad-Monitor (55" Crossbar)	16" (406 mm)

Attention: Listed allowable widths assume monitor thickness is 4" (102 mm). If monitor thickness is less, allowable width may be more. Contact Ergotron for details.

© 2007 Ergotron, Inc. rev. 10/23/2007 DIM-030 Content is subject to change without notification

Americas Sales and Corporate Headquarters

St. Paul, MN USA
(800) 888-8458
+1-651-681-7600
www.ergotron.com
sales@ergotron.com

EMEA Sales

Amersfoort, The Netherlands
+31 33 45 45 600
www.ergotron.com
info.eu@ergotron.com

APAC Sales

Singapore
www.ergotron.com
info.apac@ergotron.com

Worldwide OEM Sales

www.ergotron.com
info.oem@ergotron.com

* Width refers to monitor's physical outside dimension - not screen size.

