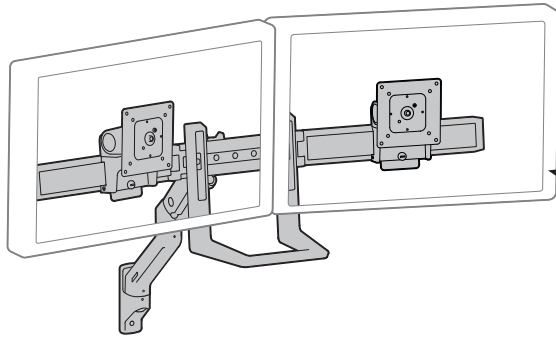
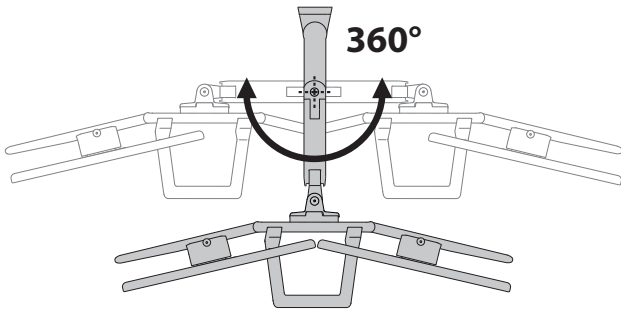


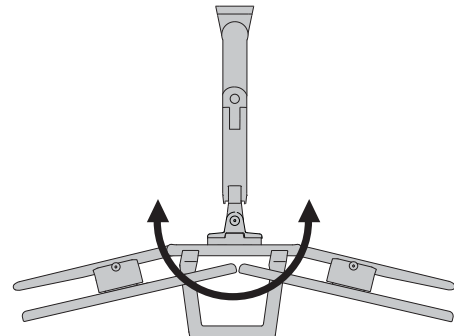
## Ergotron® HX Wall Dual Monitor Arm



5lbs. - 17.5lbs.  
(2.3 kg - 7.9 kg)  
per monitor

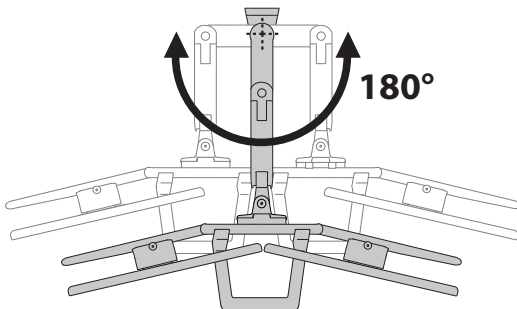


Top View



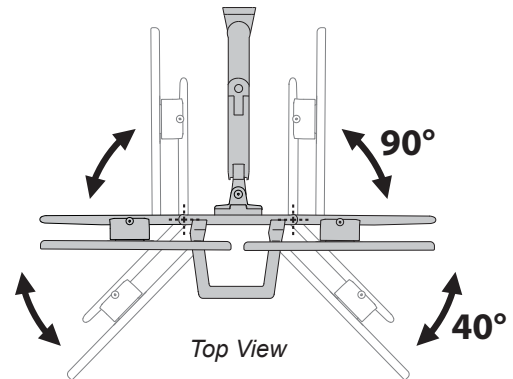
180°

Top View



180°

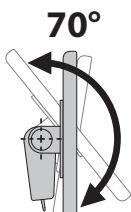
Top View



90°

40°

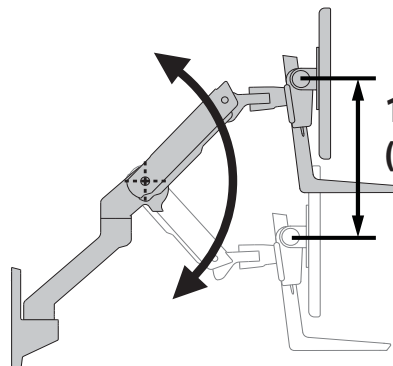
Top View



70°

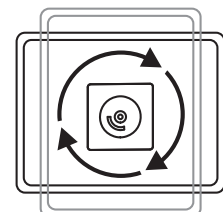
5°

Side View



11.5"  
(292 mm)

Side View



Portrait/Landscape Rotation

© 2016 Ergotron, Inc. rev. 11/28/2016 DIM-HXWallmount Content is subject to change without notification

**Americas Sales and Corporate Headquarters**

St. Paul, MN USA  
(800) 888-8458  
+1-651-681-7600  
www.ergotron.com  
sales@ergotron.com

**EMEA Sales**

Amersfoort, The Netherlands  
+31 33 45 45 600  
www.ergotron.com  
info.eu@ergotron.com

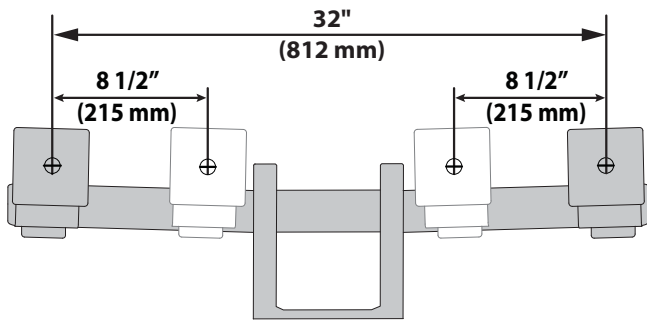
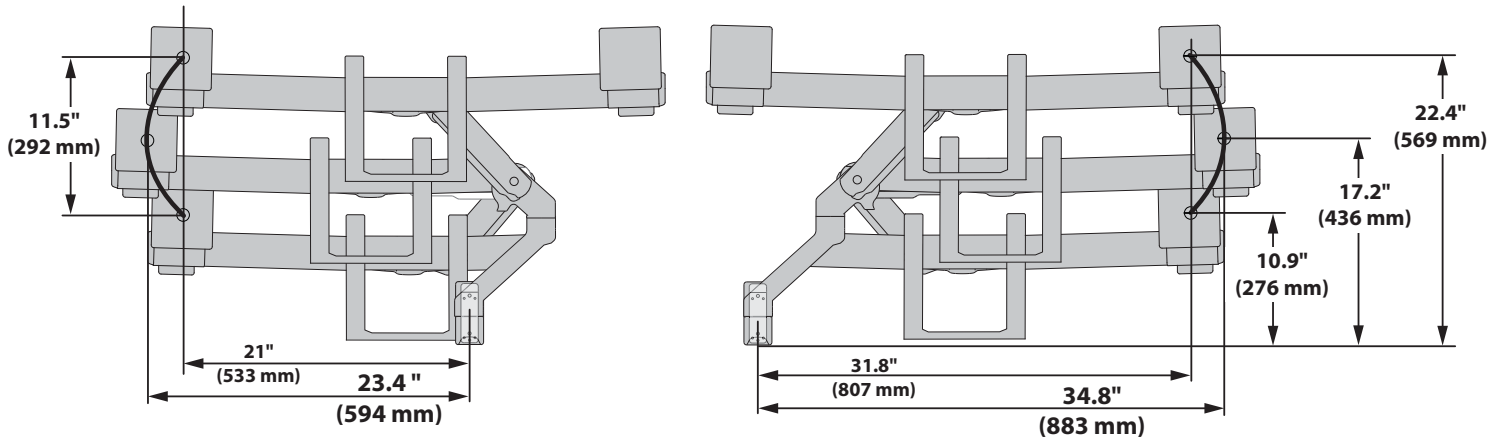
**APAC Sales**

Tokyo, Japan  
www.ergotron.com  
apaccustomerservice@ergotron.com

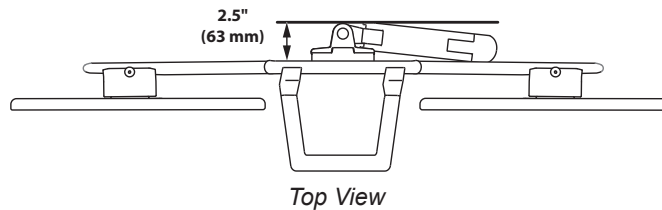
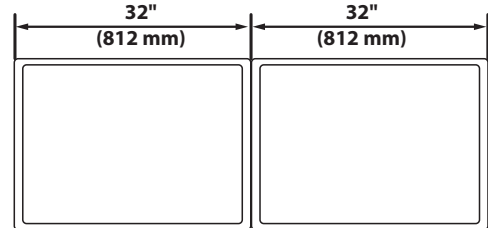
**Worldwide OEM Sales**

www.ergotron.com  
info.oem@ergotron.com

## Ergotron® HX Wall Dual Monitor Arm



Max Monitor Size



**Americas Sales and Corporate Headquarters**

St. Paul, MN USA  
 (800) 888-8458  
 +1-651-681-7600  
 www.ergotron.com  
 sales@ergotron.com

**EMEA Sales**

Amersfoort, The Netherlands  
 +31 33 45 45 600  
 www.ergotron.com  
 info.eu@ergotron.com

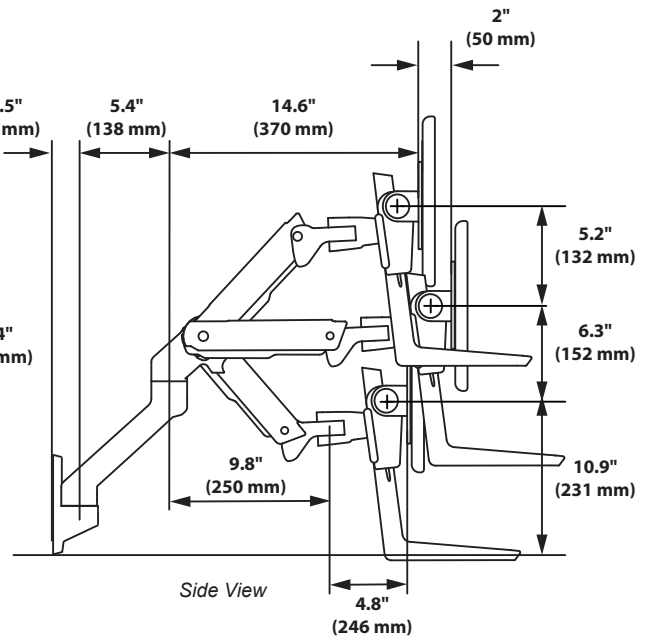
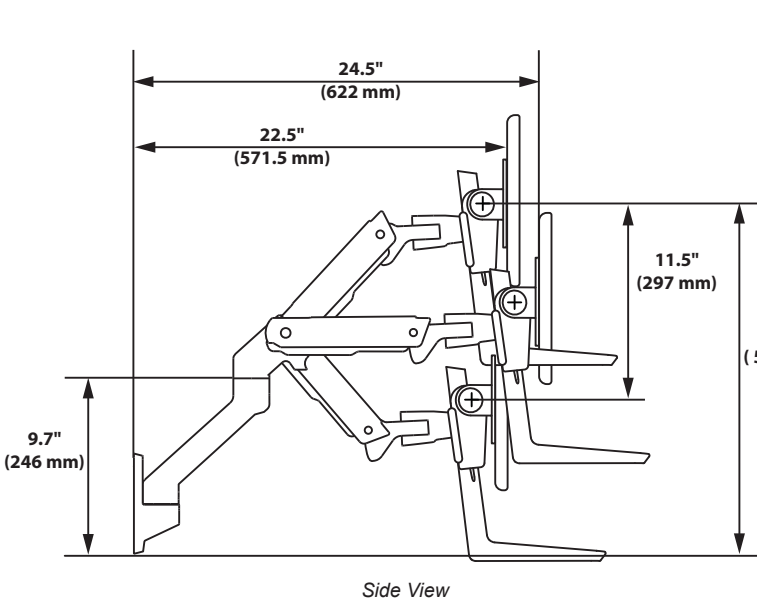
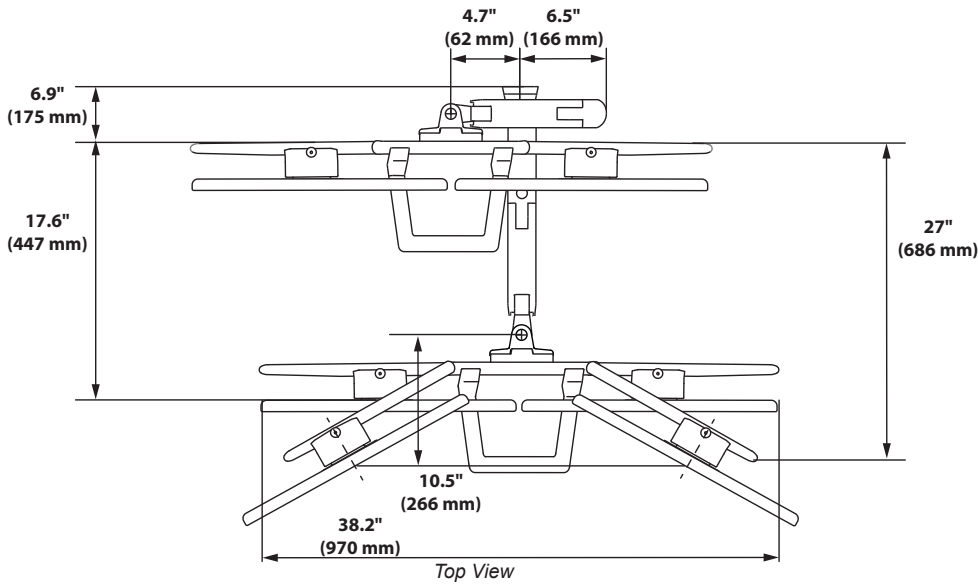
**APAC Sales**

Tokyo, Japan  
 www.ergotron.com  
 apaccustomerservice@ergotron.com

**Worldwide OEM Sales**

www.ergotron.com  
 info.oem@ergotron.com

## Ergotron® HX Wall Dual Monitor Arm



© 2016 Ergotron, Inc. rev. 11/28/2016 DIM-HXWallmount Content is subject to change without notification

**Americas Sales and Corporate Headquarters**

St. Paul, MN USA  
 (800) 888-8458  
 +1-651-681-7600  
 www.ergotron.com  
 sales@ergotron.com

**EMEA Sales**

Amersfoort, The Netherlands  
 +31 33 45 45 600  
 www.ergotron.com  
 info.eu@ergotron.com

**APAC Sales**

Tokyo, Japan  
 www.ergotron.com  
 apaccustomerservice@ergotron.com

**Worldwide OEM Sales**

www.ergotron.com  
 info.oem@ergotron.com