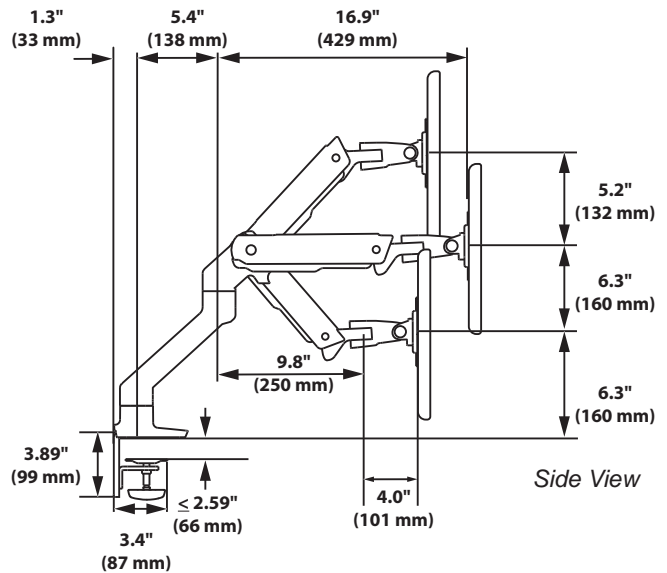
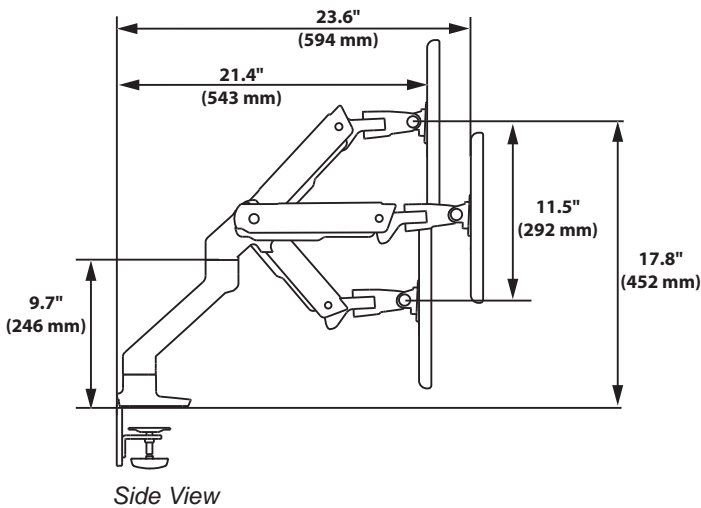
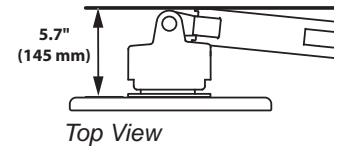
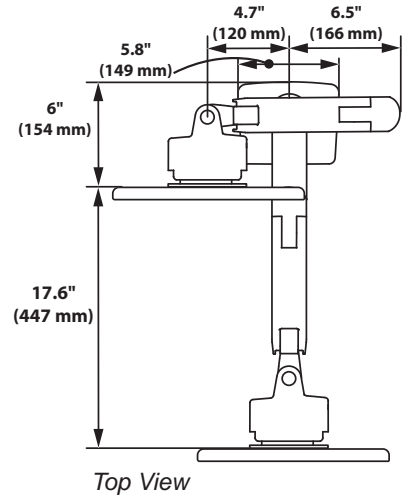
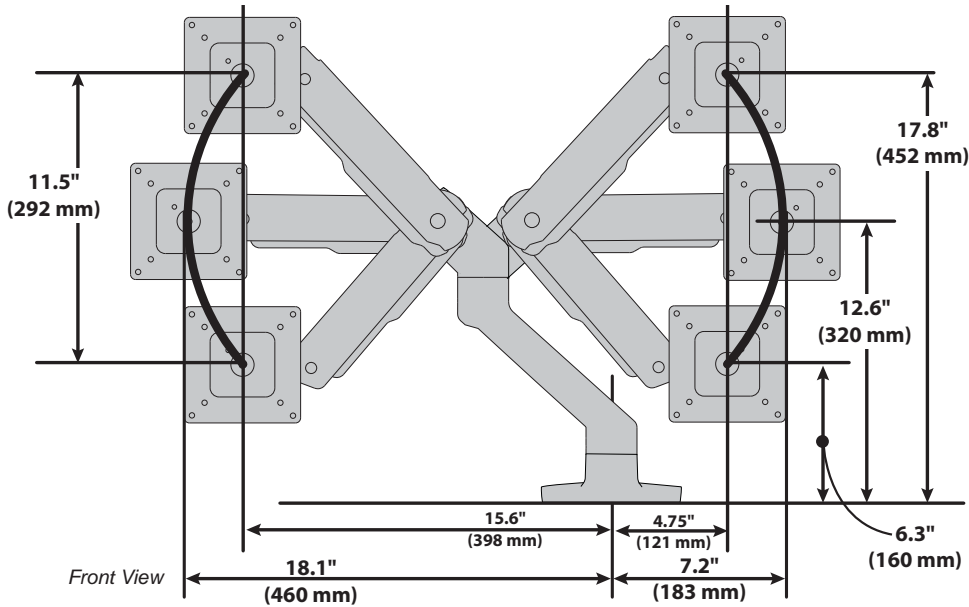
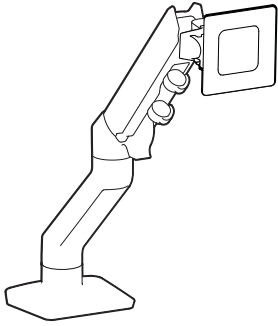


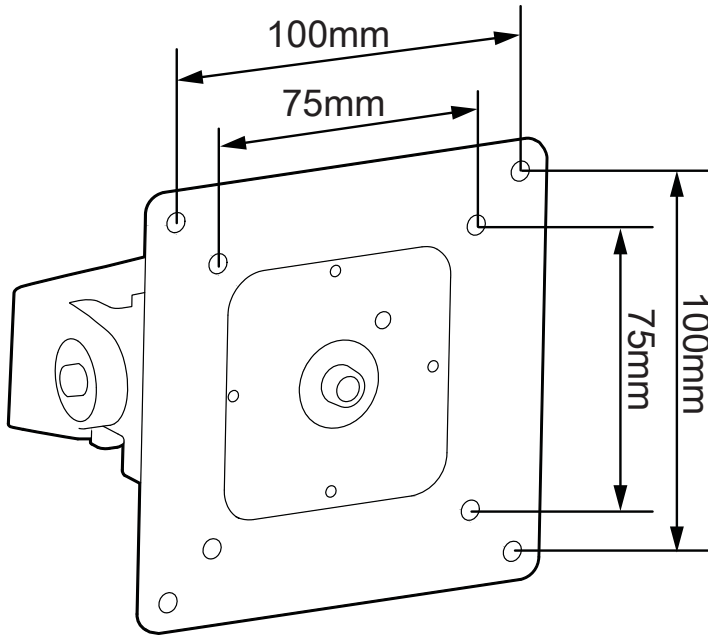
### HX Desk Monitor Arm With HD Tilt



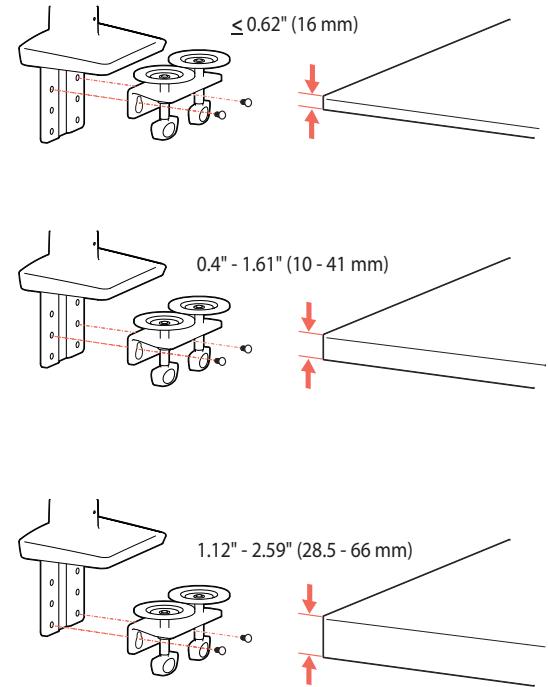
© 2021 Ergotron, Inc. rev. 01/08/2021 DIM-HXSingleDeskHD Content is subject to change without notification

Americas Sales and Corporate Headquarter	EMEA Sales	APAC Sales	Worldwide OEM Sales
St. Paul, MN USA (800) 888-8458 +1-651-681-7600 www.ergotron.com insidesales@ergotron.com	Amersfoort, The Netherlands +31 33 45 45 600 www.ergotron.com info.eu@ergotron.com	Sydney, Australia www.ergotron.com apaccustomerservice@ergotron.com	www.ergotron.com info.oem@ergotron.com

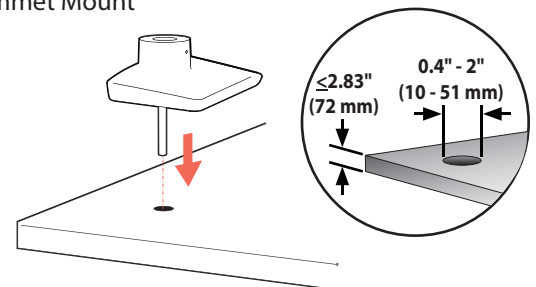
### Monitor Mount VESA options



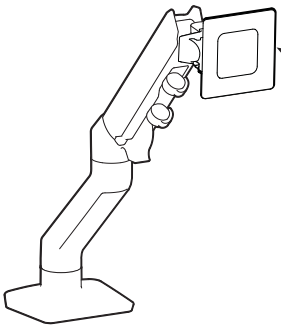
### Desk Clamp



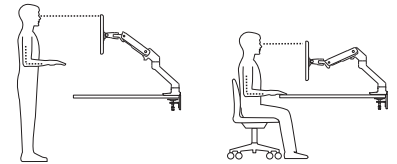
### Grommet Mount



## HX Desk Monitor Arm With HD Tilt



**Weight Capacity**  
 28 - 42 lbs (12.7-19 kg)  
 For displays 6"-12" (152-305mm) deep.  
 Recommend >1"(25mm) thick worksurface for minimum vibration.



### Range of Motion

