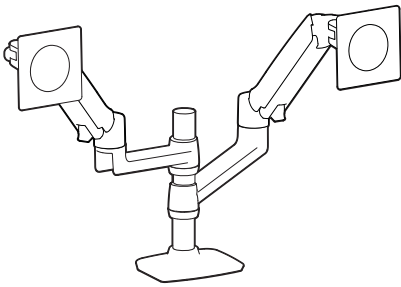
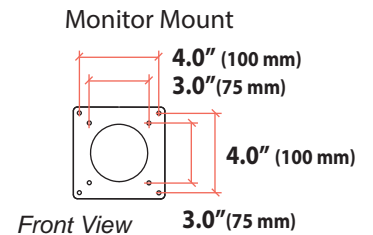
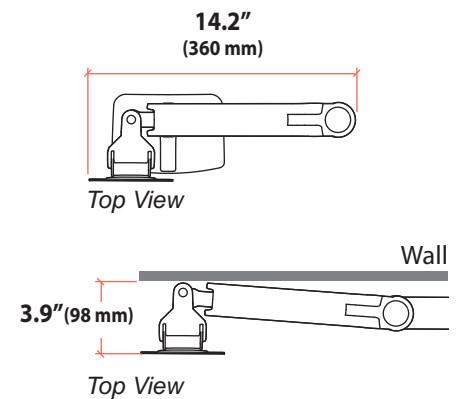
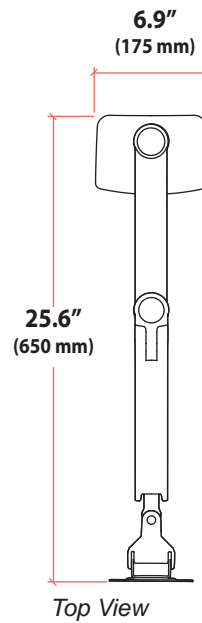
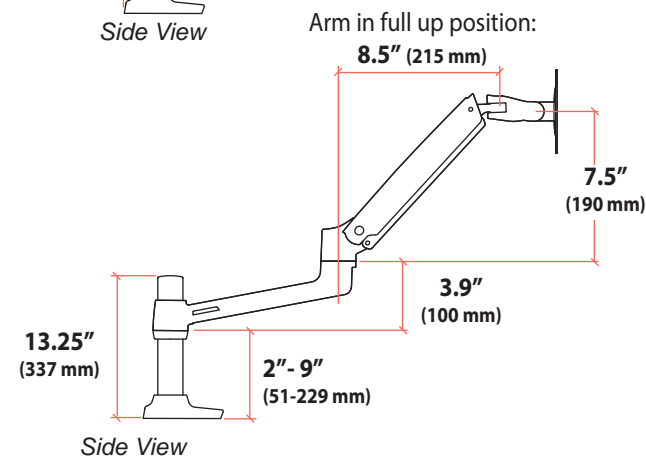
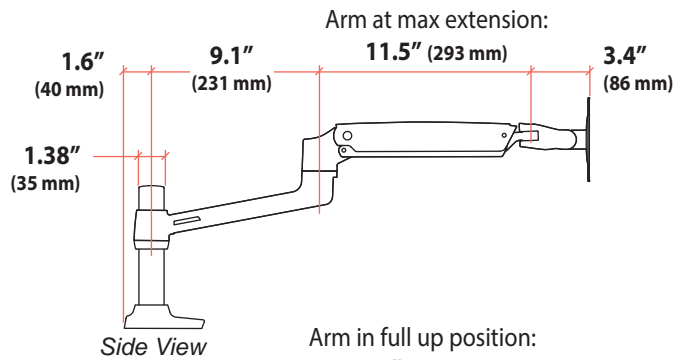


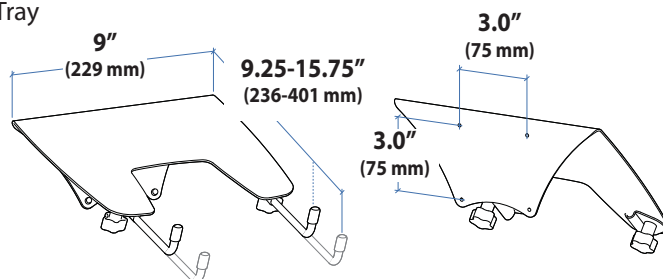
LX Dual Stacking Arm



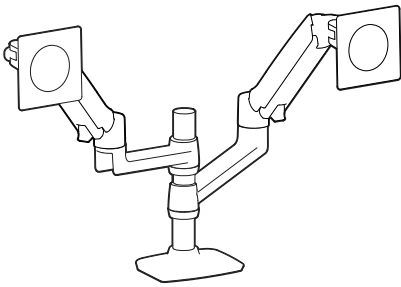
Dimensions



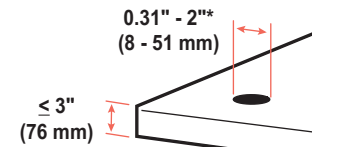
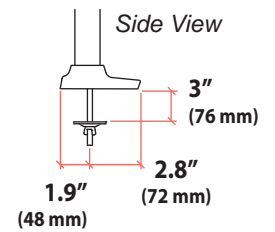
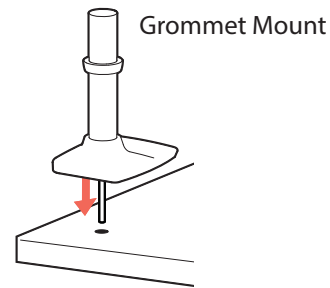
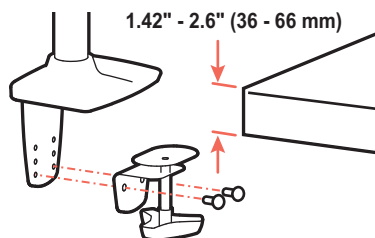
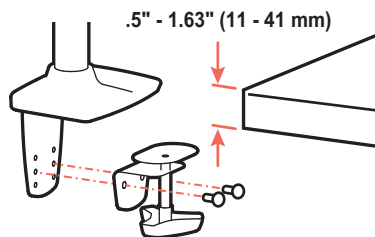
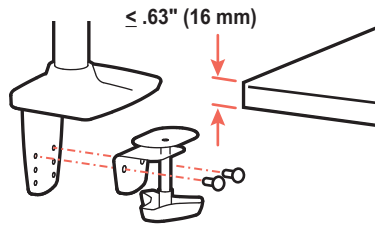
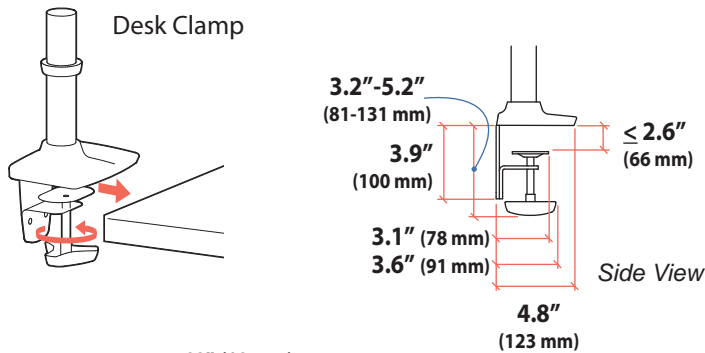
Laptop Tray



LX Dual Stacking Arm

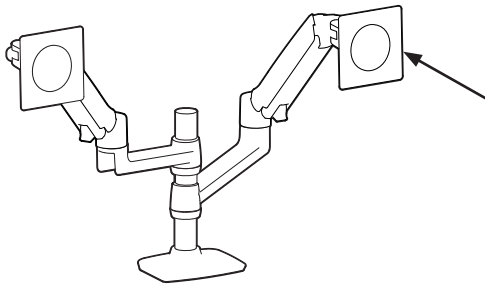


Dimensions

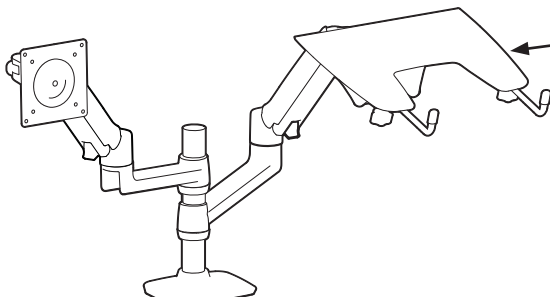


*Bolt must be centered in hole.

LX Dual Stacking Arm



Weight Capacity per Monitor
 7 - 20 lbs (3.2 - 9.1 kg)
 Monitor depth greater than 2.5" (64 mm) may diminish capacity.
 Call Ergotron for more information.



Weight Capacity for Laptop Tray
 0.5 - 12 lbs (0.23 - 5.4 kg)

Range of Motion

