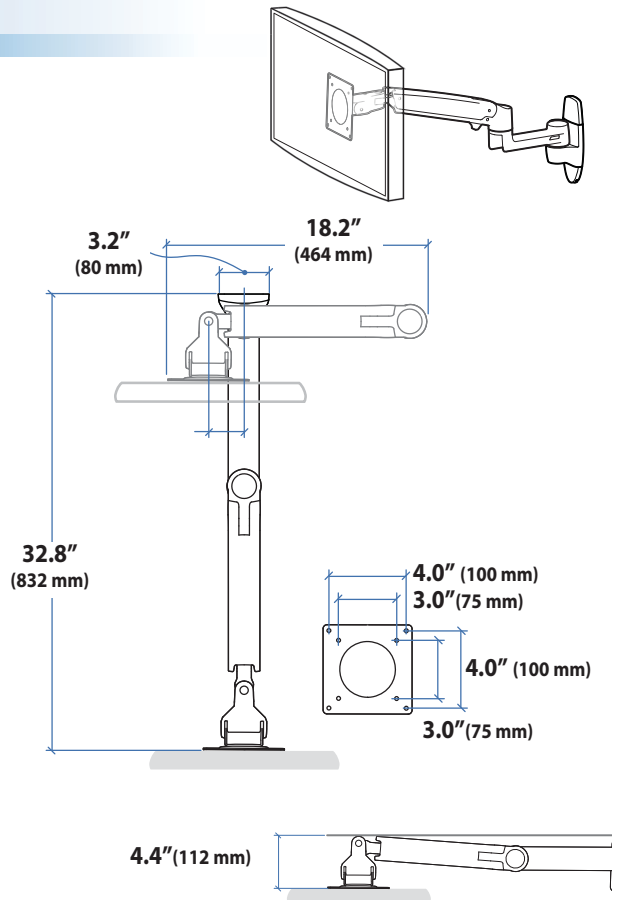
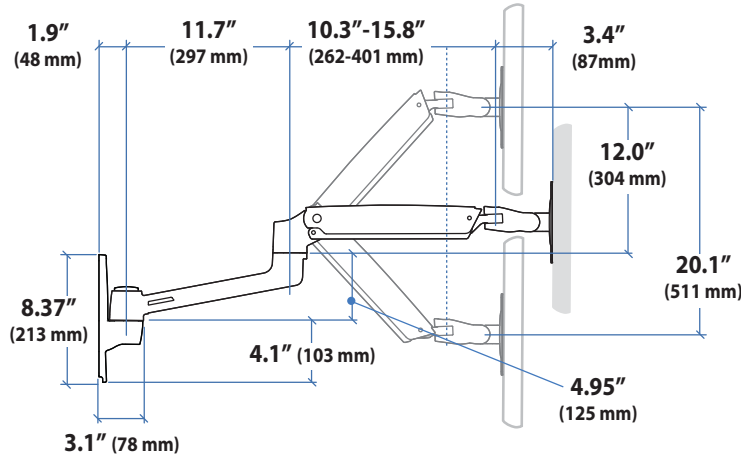


# Ergotron® LX

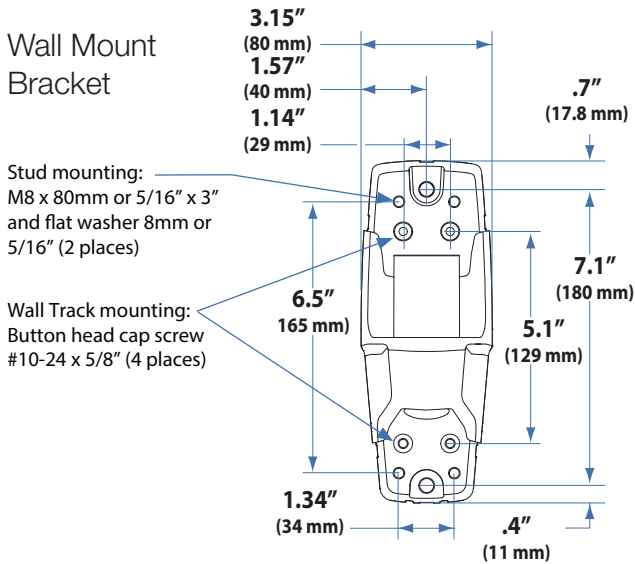
## Sit-Stand Wall Mount LCD Arm

Dimensional &  
Range of Motion  
Illustrations

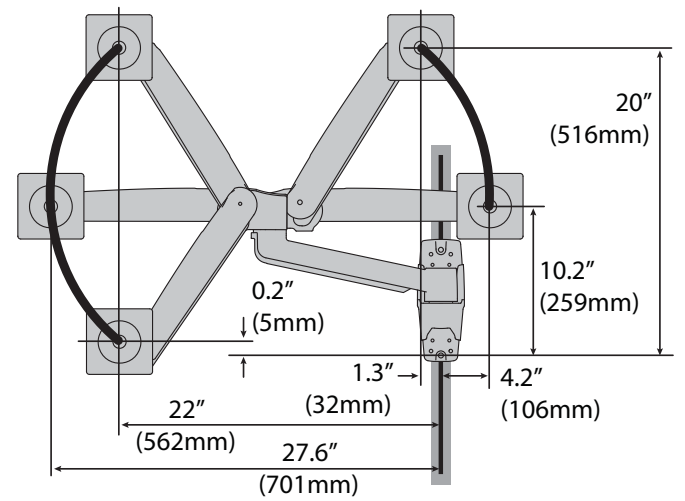
### Dimensions



### Wall Mount Bracket



Front view with arm pushed back against the wall.



© 2013 Ergotron, Inc. rev. 11/14/2013 DIM-LXSSWM Content is subject to change without notification

#### Americas Sales and Corporate Headquarters

St. Paul, MN USA  
(800) 888-8458  
+1-651-681-7600  
www.ergotron.com  
sales@ergotron.com

#### EMEA Sales

Amersfoort, The Netherlands  
+31 33 45 45 600  
www.ergotron.com  
info.eu@ergotron.com

#### APAC Sale

Tokyo, Japan  
www.ergotron.com  
apaccustomerservice@ergotron.com

#### Worldwide OEM Sales

www.ergotron.com  
info.oem@ergotron.com

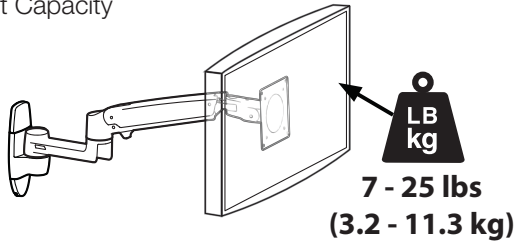


# Ergotron® LX

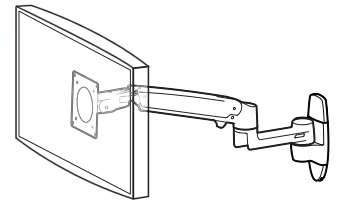
## Sit-Stand Wall Mount LCD Arm

### Dimensional & Range of Motion Illustrations

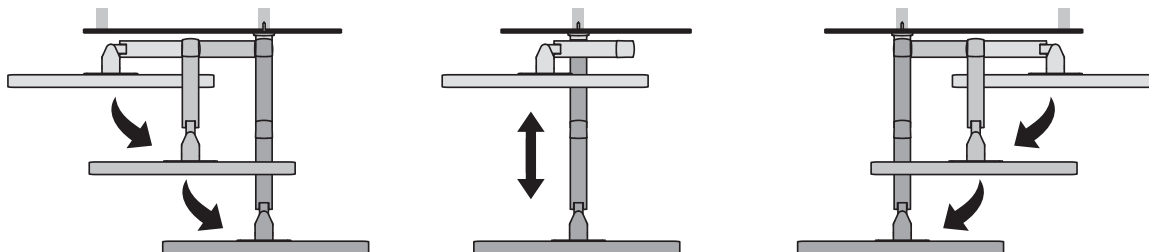
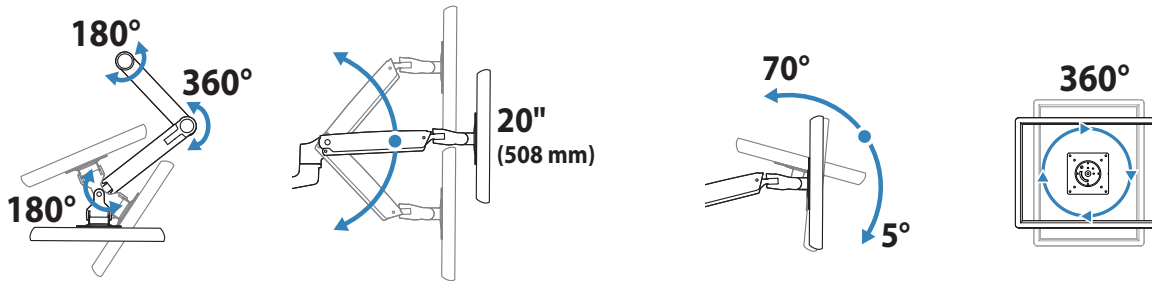
#### Weight Capacity



Monitor depth greater than 2.5" (64 mm) may diminish capacity.  
Call Ergotron for more information.



#### Range of Motion



© 2013 Ergotron, Inc. rev. 11/14/2013 DIM-LXSSWM Content is subject to change without notification

#### Americas Sales and Corporate Headquarters

St. Paul, MN USA  
(800) 888-8458  
+1-651-681-7600  
www.ergotron.com  
sales@ergotron.com

#### EMEA Sales

Amersfoort, The Netherlands  
+31 33 45 45 600  
www.ergotron.com  
info.eu@ergotron.com

#### APAC Sale

Tokyo, Japan  
www.ergotron.com  
apaccustomerservice@ergotron.com

#### Worldwide OEM Sales

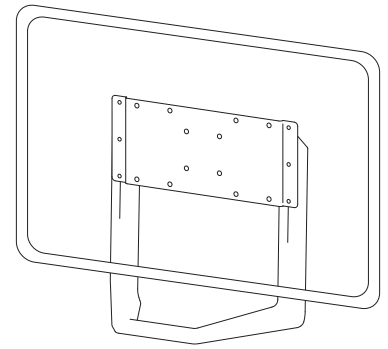
www.ergotron.com  
info.oem@ergotron.com



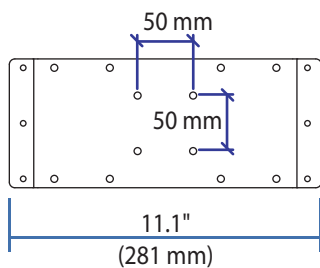
### Monitor Handle Kit

There are 5 ways to mount this product based on what mounting solution and display you are attaching this product to.

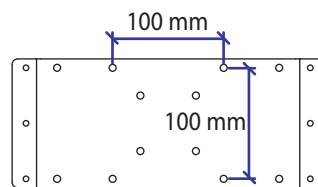
- A. Attach to mounting solution with 50 x 50 mm hole pattern and display with 100x100mm hole pattern.
- B. Attach to mounting solution with 50 x 50 mm hole pattern and display with 200x100mm hole pattern.
- C. Attach to mounting solution and display with 100 x 100 mm mounting hole pattern.
- D. Attach to mounting solution and display with 200 x 100 mm mounting hole pattern.
- E. Attach to mounting solution with 100 x 100 mm hole pattern and display with 200x100mm hole pattern.



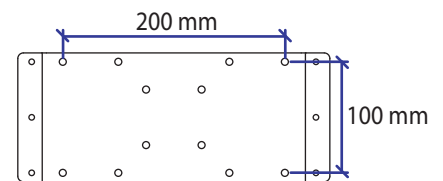
### Dimensions



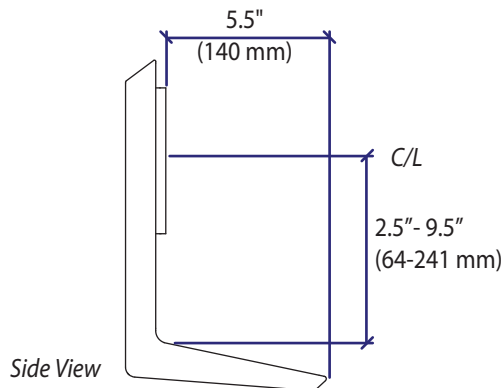
Front View



Front View



Front View



Side View

### Weight Capacity

**This product adds an additional 2.9 lbs. (1.3 kg) to your mounting solution. Your mounting solution's monitor weight capacity must be reduced by 2.9 lbs. (1.3 kg) when using standard monitors less than or equal to 2.5" (64 mm) thick. Additional reduction will be required if monitors are greater than 2.5" (64 mm) thick.**

© 2013 Ergotron, Inc. rev. 02/01/2013 DIM-Handle Content is subject to change without notification

#### Americas Sales and Corporate Headquarters

St. Paul, MN USA  
(800) 888-8458  
+1-651-681-7600  
www.ergotron.com  
sales@ergotron.com

#### EMEA Sales

Amersfoort, The Netherlands  
+31 33 45 45 600  
www.ergotron.com  
info.eu@ergotron.com

#### APAC Sales

Tokyo, Japan  
www.ergotron.com  
apaccustomerservice@ergotron.com

#### Worldwide OEM Sales

www.ergotron.com  
info.oem@ergotron.com

