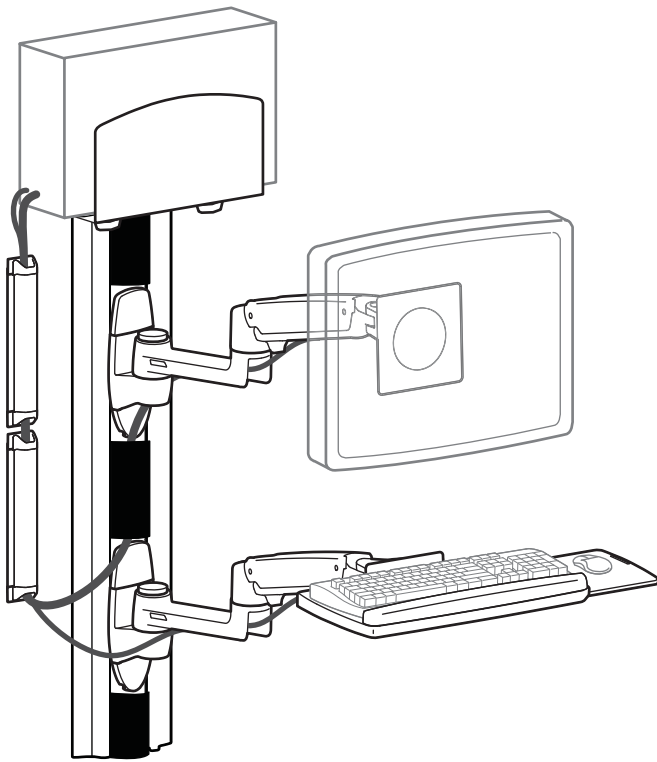
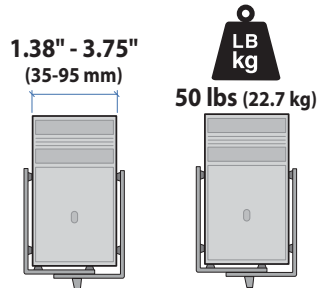


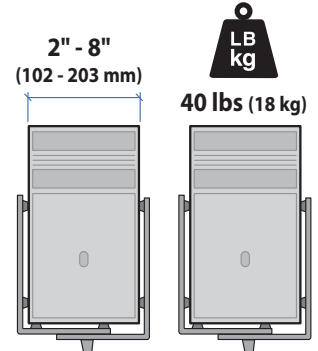
LX Wall Mount System



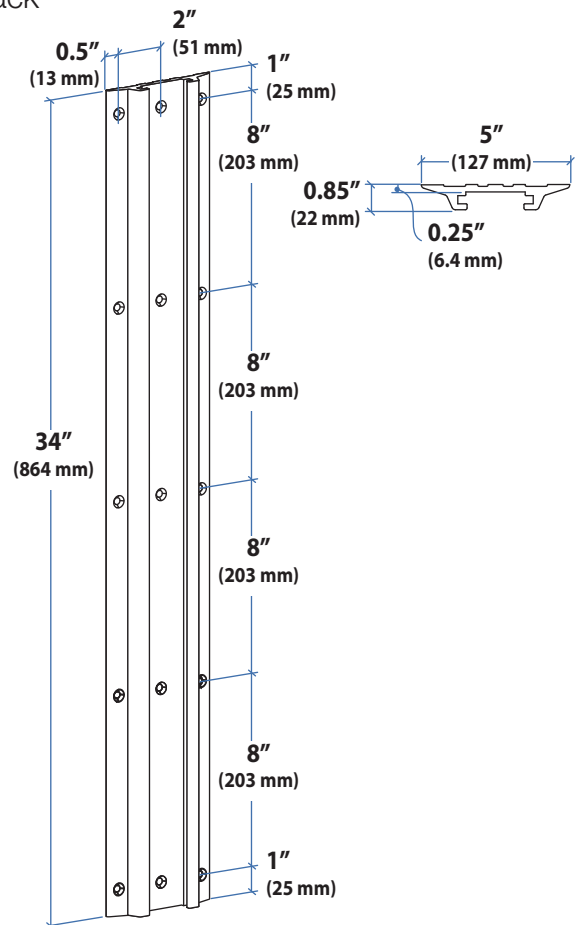
Small CPU Holder



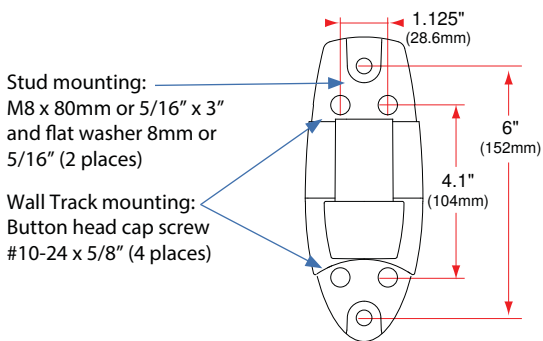
Medium CPU Holder



Wall Track



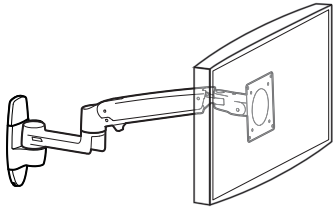
Wall Mount Bracket



Stud mounting:
M8 x 80mm or 5/16" x 3"
and flat washer 8mm or
5/16" (2 places)

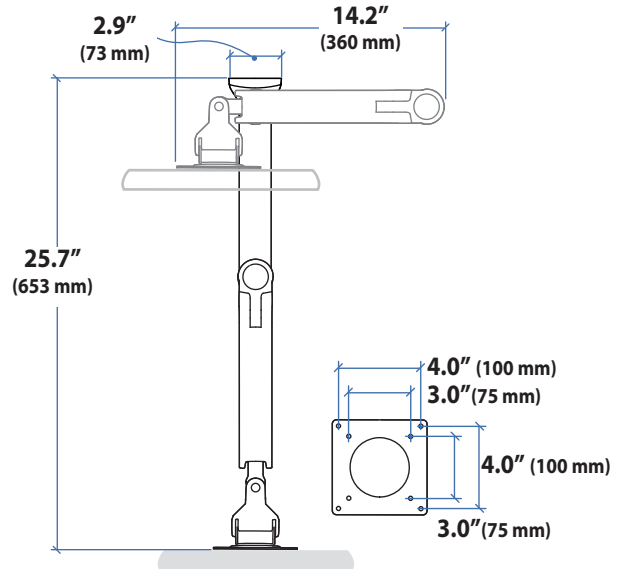
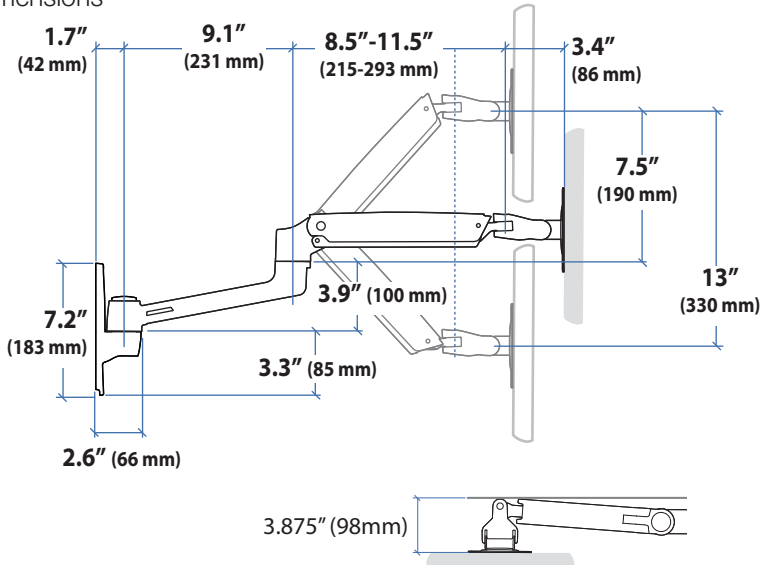
Wall Track mounting:
Button head cap screw
#10-24 x 5/8" (4 places)

LX Wall Mount System

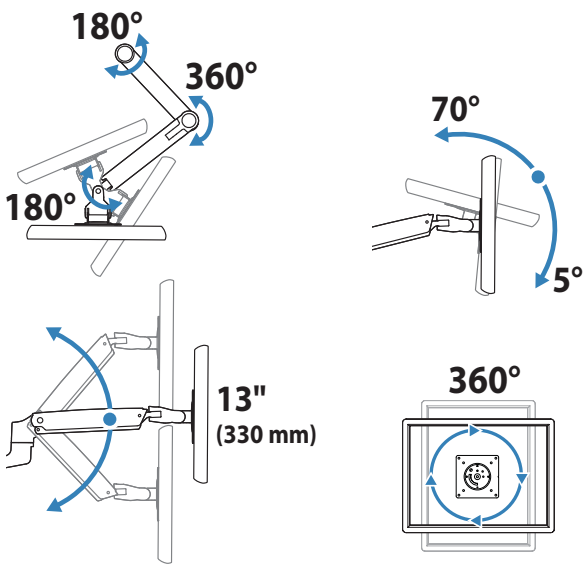


LCD Arm

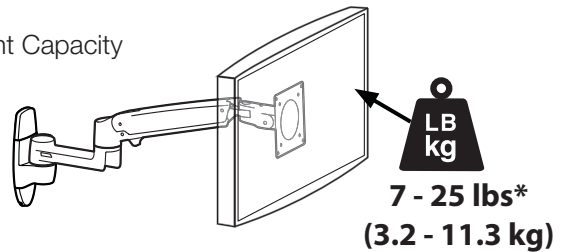
Dimensions



Range of Motion



Weight Capacity



Monitor depth greater than 2.5" (64 mm) may diminish capacity. Call Ergotron for more information.

*** The lower most range of motion for vertical lift is decreased up to 4.5" (114 mm) when arm is adjusted to hold over 20lbs (9 kgs).**

© 2014 Ergotron, Inc. rev. 11/22/2017 DIM-LXWMSYSTEM Content is subject to change without notification

Americas Sales and Corporate Headquarters

St. Paul, MN USA
 (800) 888-8458
 +1-651-681-7600
 www.ergotron.com
 sales@ergotron.com

EMEA Sales

Amersfoort, The Netherlands
 +31 33 45 45 600
 www.ergotron.com
 info.eu@ergotron.com

APAC Sales

Tokyo, Japan
 www.ergotron.com
 apaccustomerservice@ergotron.com

Worldwide OEM Sales

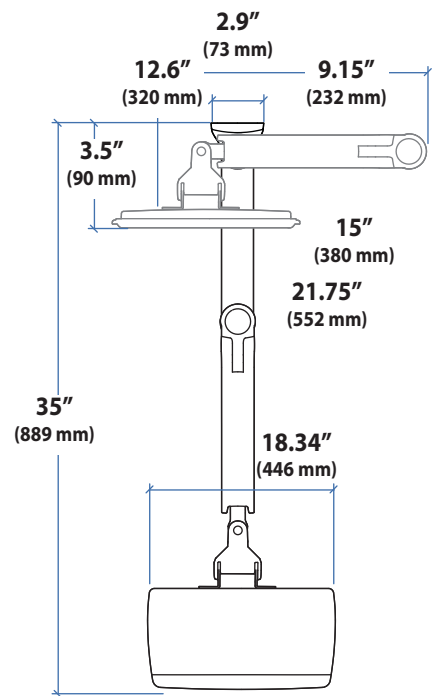
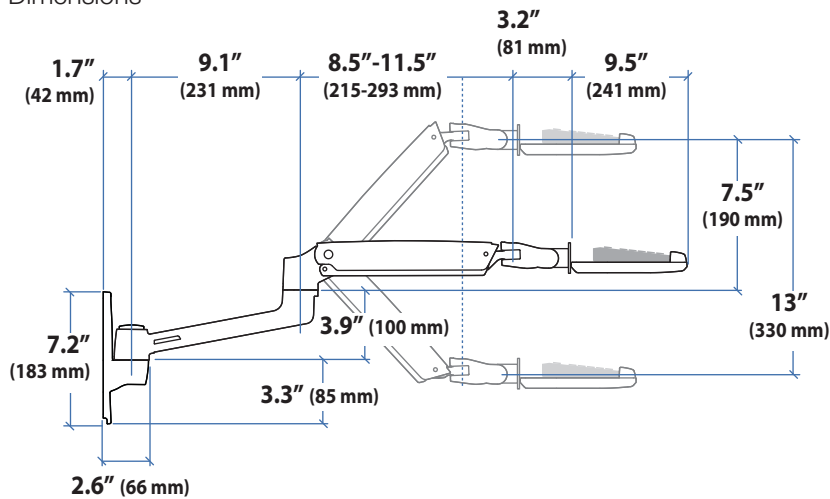
www.ergotron.com
 info.oem@ergotron.com



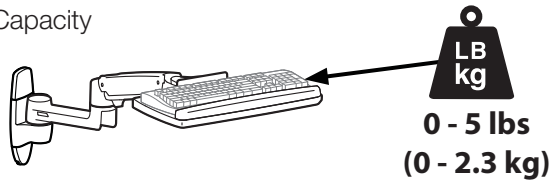
Keyboard Arm

LX Wall Mount System

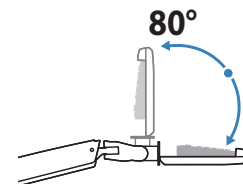
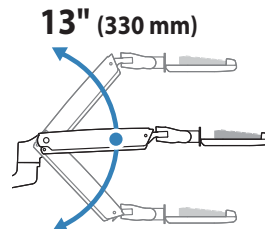
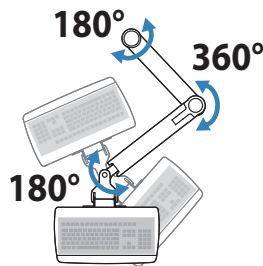
Dimensions



Weight Capacity



Range of Motion



© 2014 Ergotron, Inc. rev. 11/22/2017 DIM-LXWMSsystem **Content is subject to change without notification**

Americas Sales and Corporate Headquarters

St. Paul, MN USA
(800) 888-8458
+1-651-681-7600
www.ergotron.com
sales@ergotron.com

EMEA Sales

Amersfoort, The Netherlands
+31 33 45 45 600
www.ergotron.com
info.eu@ergotron.com

APAC Sales

Tokyo, Japan
www.ergotron.com
apaccustomerservice@ergotron.com

Worldwide OEM Sales

www.ergotron.com
info.oem@ergotron.com