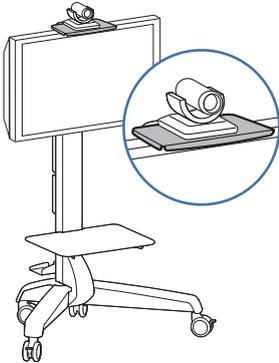
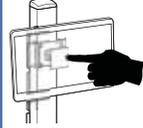


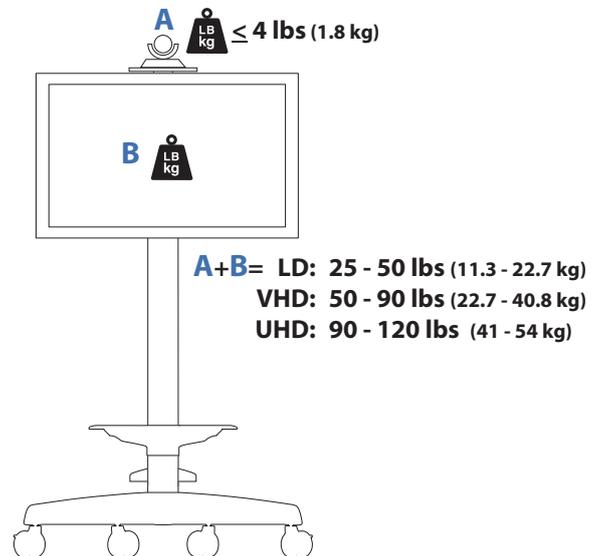
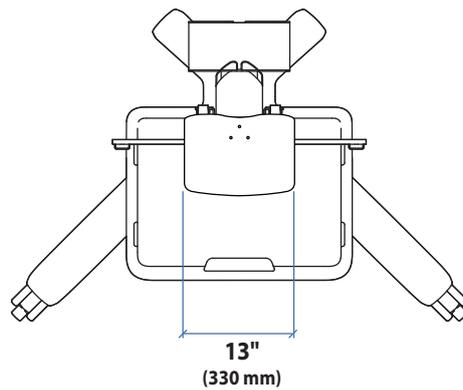
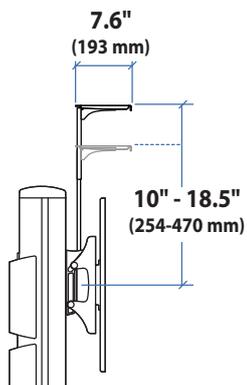
# Ergotron® Neo-Flex™

Dimensional Illustrations

## MMC Camera Shelf Kit




 Camera Shelf is not compatible with the MMC LD 25 - 36 lbs (11.3 - 16 kg) display mount configuration.



© 2011 Ergotron, Inc. rev. 08/01/2011 DIM-MMC-CameraShelf Content is subject to change without notification

**Americas Sales and Corporate Headquarters**

St. Paul, MN USA  
 (800) 888-8458  
 +1-651-681-7600  
 www.ergotron.com  
 sales@ergotron.com

**EMEA Sales**

Amersfoort, The Netherlands  
 +31 33 45 45 600  
 www.ergotron.com  
 info.eu@ergotron.com

**APAC Sale**

Tokyo, Japan  
 www.ergotron.com  
 apaccustomerservice@ergotron.com

**Worldwide OEM Sales**

www.ergotron.com  
 info.oem@ergotron.com

