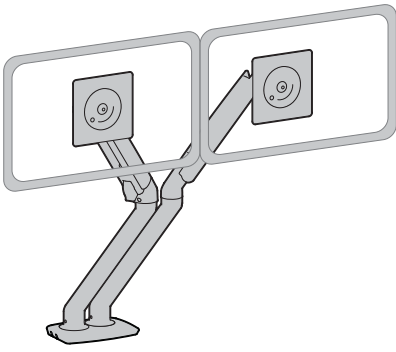
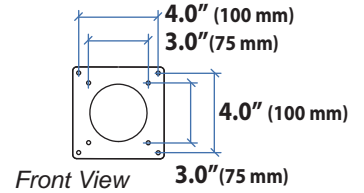


MXV Dual Monitor Arm with C-Clamp (under mount)



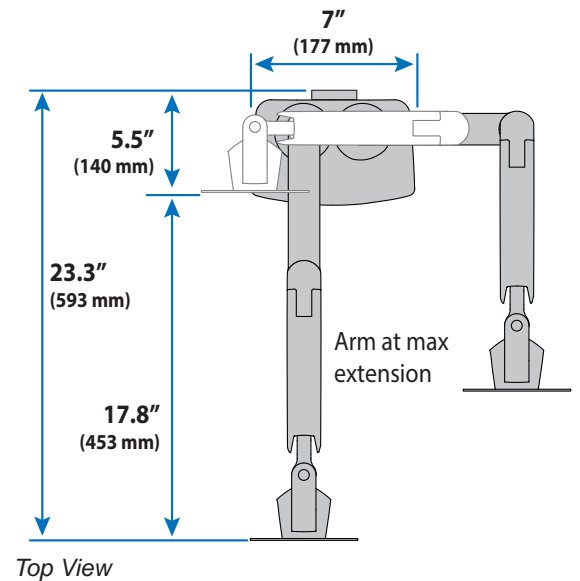
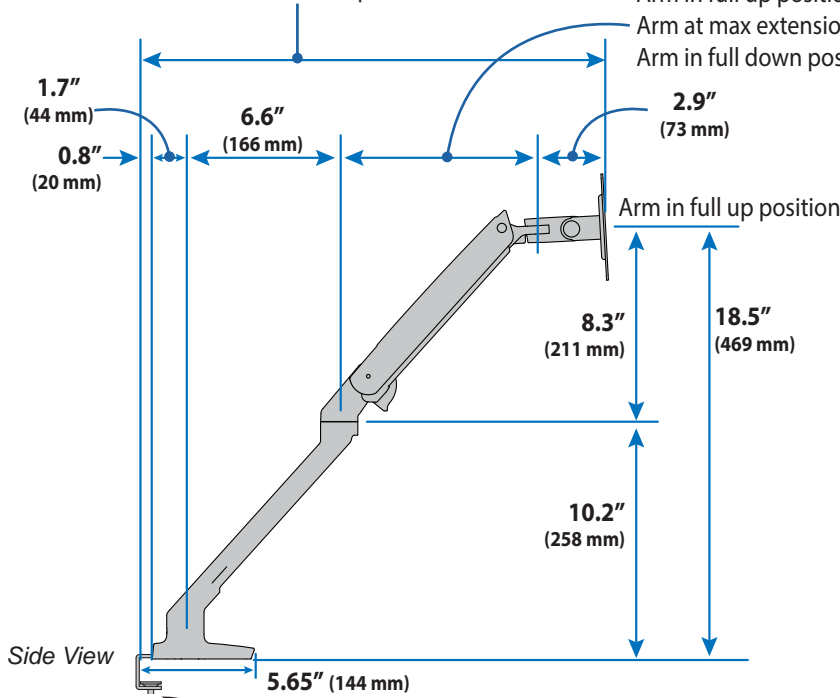
Monitor Interface Bracket



Dimensions

Arm in full up position: **20.2"** (514 mm)
 Arm at max extension: **23.3"** (590 mm)
 Arm in full down position: **20.7"** (526 mm)

Arm in full up position: **8.2"** (211 mm)
 Arm at max extension: **11.3"** (287 mm)
 Arm in full down position: **8.7"** (223 mm)



Desk Thickness

1" - 1.26"* (25-32mm)

0" - 0.28"* (0-7mm)

*Optional longer screws can be added for thinner desks:

0.5" - 1.26" (12-32mm)

0.1" - 0.9" (3-23mm)

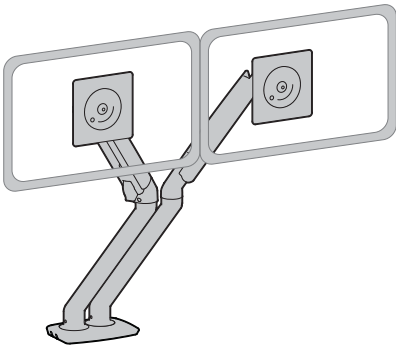
© 2017 Ergotron, Inc. rev. 08/30/2017 DIM-MXVdual-Cclamp **Content is subject to change without notification**

Americas Sales and Corporate Headquarters	EMEA Sales	APAC Sales	Worldwide OEM Sales
St. Paul, MN USA (800) 888-8458 +1-651-681-7600 www.ergotron.com sales@ergotron.com	Amersfoort, The Netherlands +31 33 45 45 600 www.ergotron.com info.eu@ergotron.com	Tokyo, Japan www.ergotron.com apaccustomerservice@ergotron.com	www.ergotron.com info.oem@ergotron.com

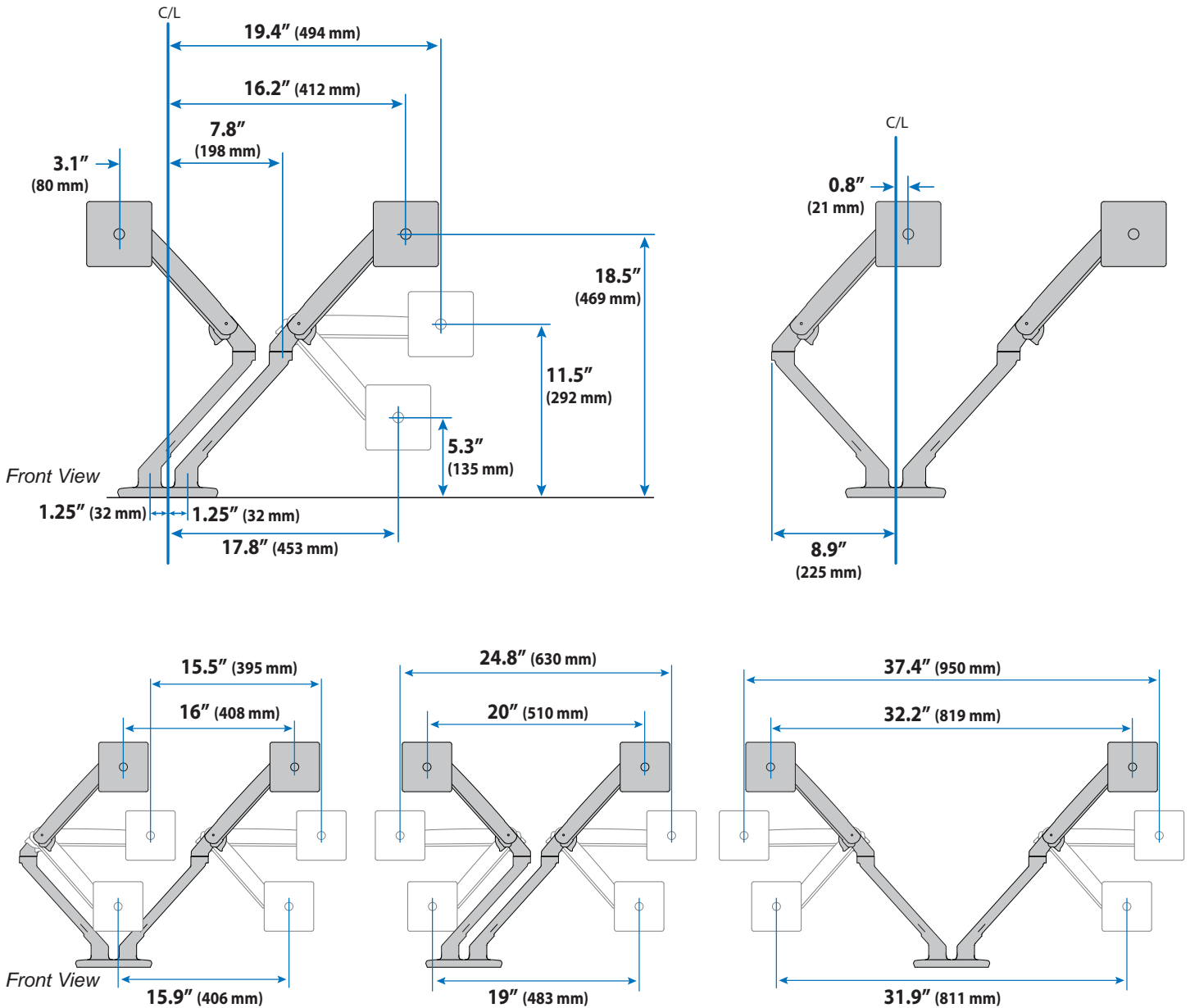


MXV Dual Monitor Arm

with C-Clamp (under mount)



Dimensions



© 2017 Ergotron, Inc. rev. 08/30/2017 DIM-MXVdual-Cclamp Content is subject to change without notification

Americas Sales and Corporate Headquarters

St. Paul, MN USA
 (800) 888-8458
 +1-651-681-7600
 www.ergotron.com
 sales@ergotron.com

EMEA Sales

Amersfoort, The Netherlands
 +31 33 45 45 600
 www.ergotron.com
 info.eu@ergotron.com

APAC Sales

Tokyo, Japan
 www.ergotron.com
 apaccustomerservice@ergotron.com

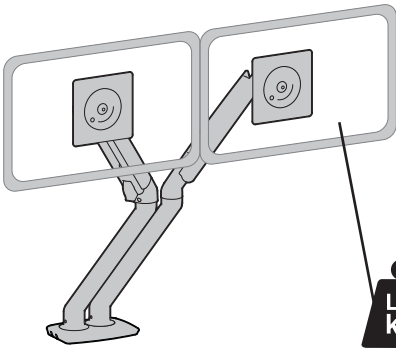
Worldwide OEM Sales

www.ergotron.com
 info.oem@ergotron.com



MXV Dual Monitor Arm

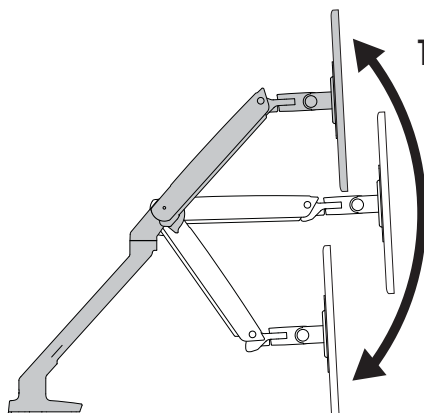
with C-Clamp (under mount)



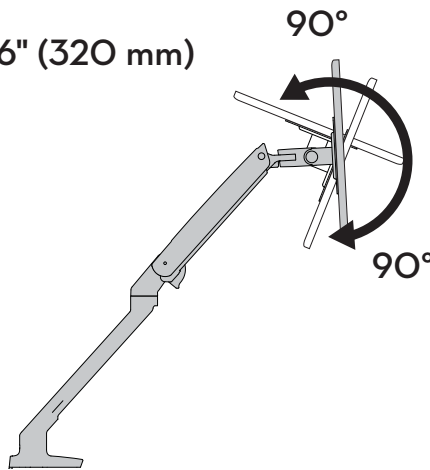
Weight Capacity per Monitor:
7 lbs (3.2 kg) - 20 lbs. (9.1 kg)

Monitor depth greater than 2.5" (64 mm) may diminish capacity.
 Call Ergotron for more information.

Range of Motion

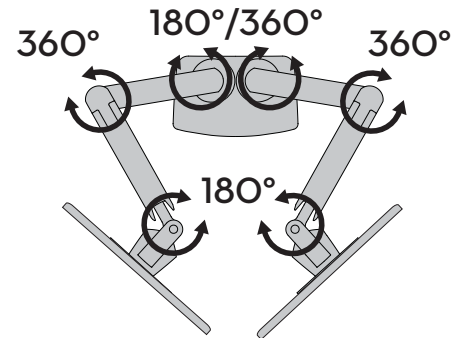


12.6" (320 mm)



90°

90°

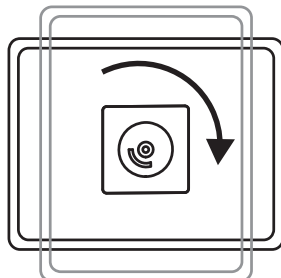


360°

180°/360°

360°

180°



Front View

Portrait/Landscape Rotation.

Americas Sales and Corporate Headquarters

St. Paul, MN USA
 (800) 888-8458
 +1-651-681-7600
 www.ergotron.com
 sales@ergotron.com

EMEA Sales

Amersfoort, The Netherlands
 +31 33 45 45 600
 www.ergotron.com
 info.eu@ergotron.com

APAC Sales

Tokyo, Japan
 www.ergotron.com
 apaccustomerservice@ergotron.com

Worldwide OEM Sales

www.ergotron.com
 info.oem@ergotron.com