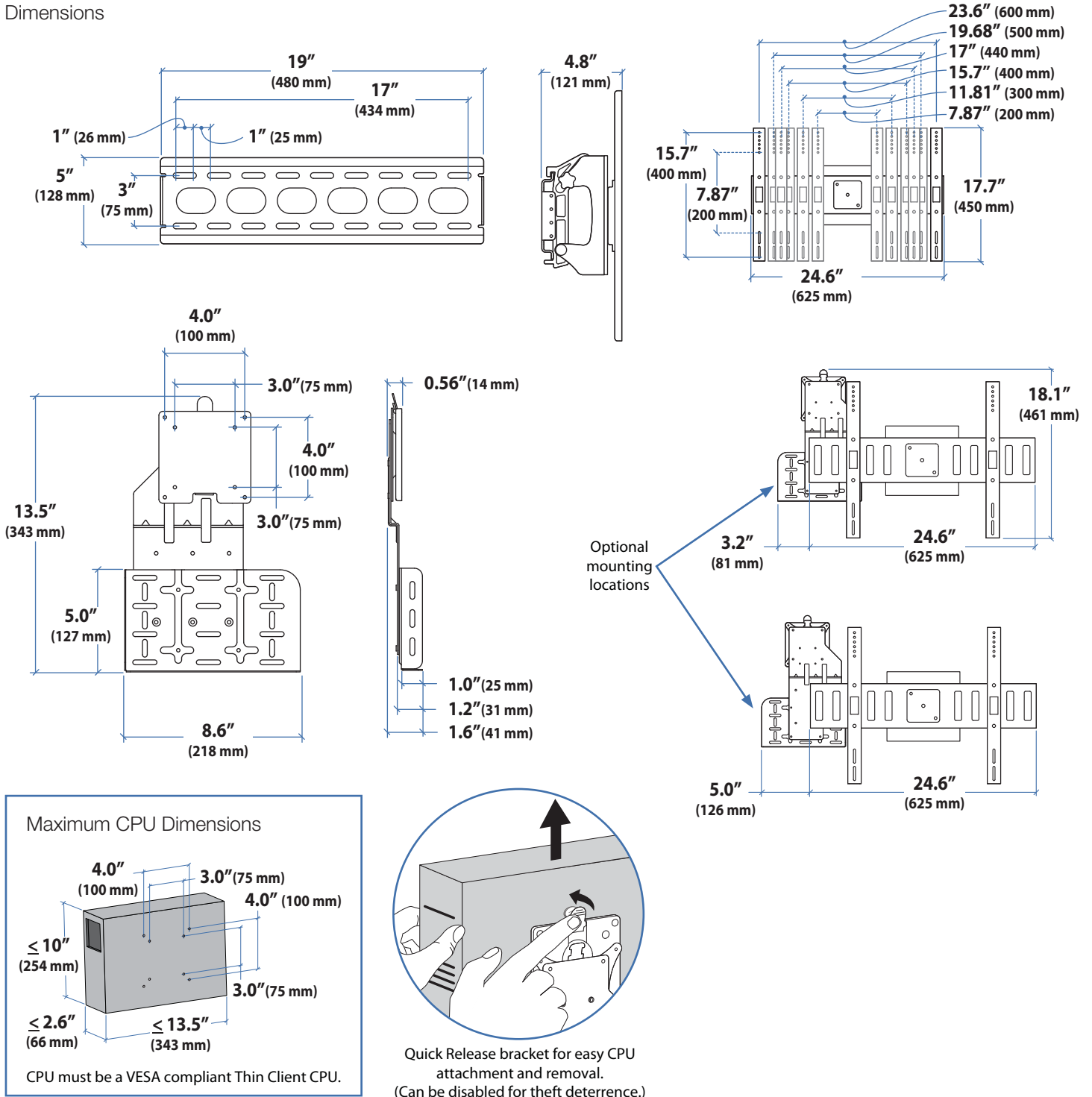


## SIM90 Signage Integration Mount

### Dimensions



© 2009 Ergotron, Inc. rev. 10/07/2009 DIM-SIM90 Content is subject to change without notification

#### Americas Sales and Corporate Headquarters

St. Paul, MN USA  
(800) 888-8458  
+1-651-681-7600  
www.ergotron.com  
sales@ergotron.com

#### EMEA Sales

Amersfoort, The Netherlands  
+31 33 45 45 600  
www.ergotron.com  
info.eu@ergotron.com

#### APAC Sale

Tokyo, Japan  
www.ergotron.com  
apaccustomerservice@ergotron.com

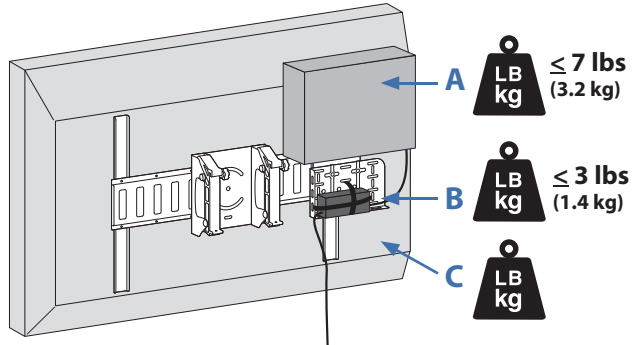
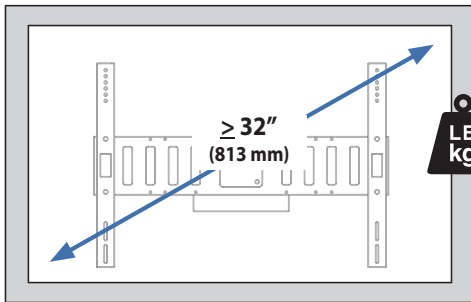
#### Worldwide OEM Sales

www.ergotron.com  
info.oem@ergotron.com



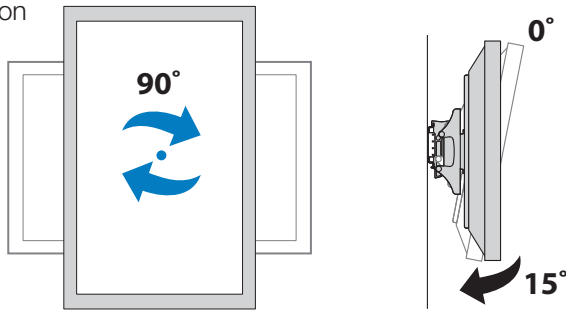
## SIM90 Signage Integration Mount

### Weight Capacity



$$A+B+C \leq 115 \text{ lbs (52.2 kg)}$$

### Range of Motion



© 2009 Ergotron, Inc. rev. 10/07/2009 DIM-SIM90 Content is subject to change without notification

#### Americas Sales and Corporate Headquarters

St. Paul, MN USA  
(800) 888-8458  
+1-651-681-7600  
www.ergotron.com  
sales@ergotron.com

#### EMEA Sales

Amersfoort, The Netherlands  
+31 33 45 45 600  
www.ergotron.com  
info.eu@ergotron.com

#### APAC Sale

Tokyo, Japan  
www.ergotron.com  
apaccustomerservice@ergotron.com

#### Worldwide OEM Sales

www.ergotron.com  
info.oem@ergotron.com

