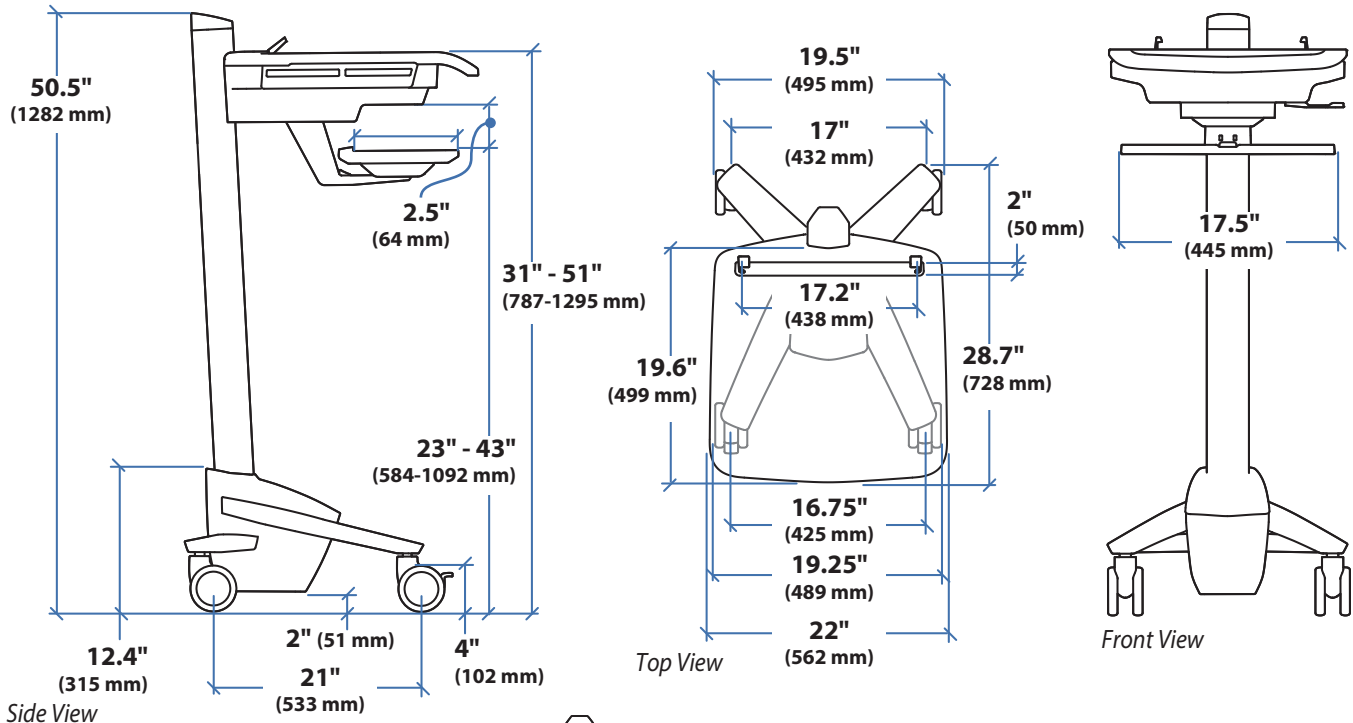


# Ergotron® StyleView Cart

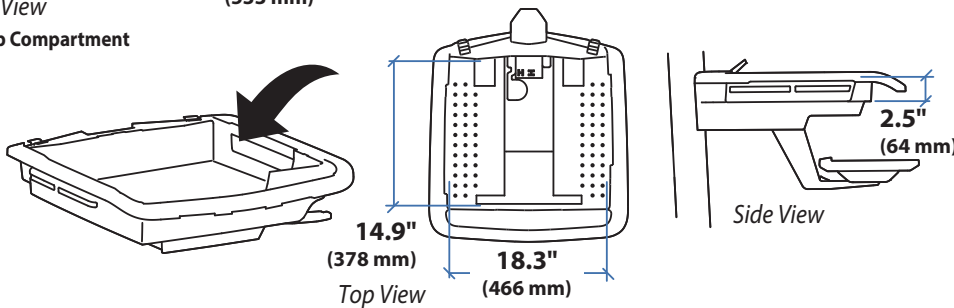
Dimensional Illustrations

## StyleView® EMR Laptop Cart, SV40

### Dimensions

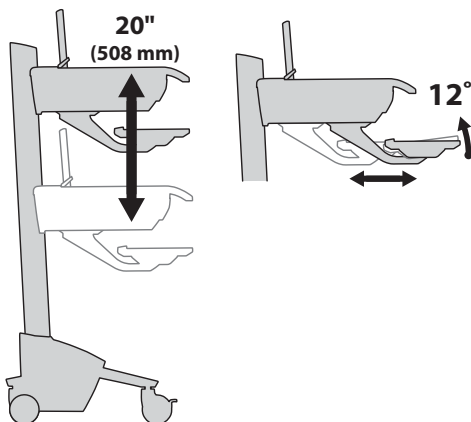


Side View  
Laptop Compartment



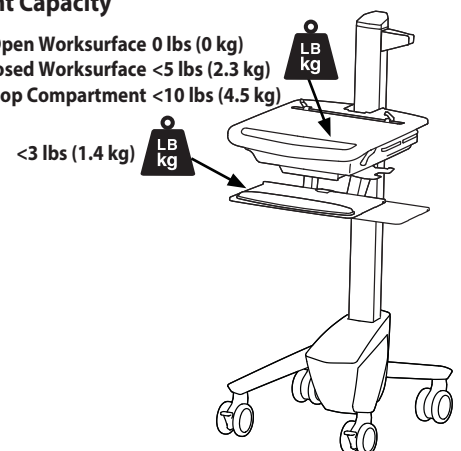
When figuring dimensions, include mounted accessories, protruding cables and port replicators or docking stations.

### Range of Motion



### Weight Capacity

- Open Worksurface 0 lbs (0 kg)
- Closed Worksurface <5 lbs (2.3 kg)
- Laptop Compartment <10 lbs (4.5 kg)



© 2014 Ergotron, Inc. rev. 03/16/2015 DIM-SV4X-EMR-NORO Content is subject to change without notification

#### Americas Sales and Corporate Headquarters

St. Paul, MN USA  
(800) 888-8458  
+1-651-681-7600  
www.ergotron.com  
sales@ergotron.com

#### EMEA Sales

Amersfoort, The Netherlands  
+31 33 45 45 600  
www.ergotron.com  
info.eu@ergotron.com

#### APAC Sales

Tokyo, Japan  
www.ergotron.com  
apaccustomerservice@ergotron.com

#### Worldwide OEM Sales

www.ergotron.com  
info.oem@ergotron.com

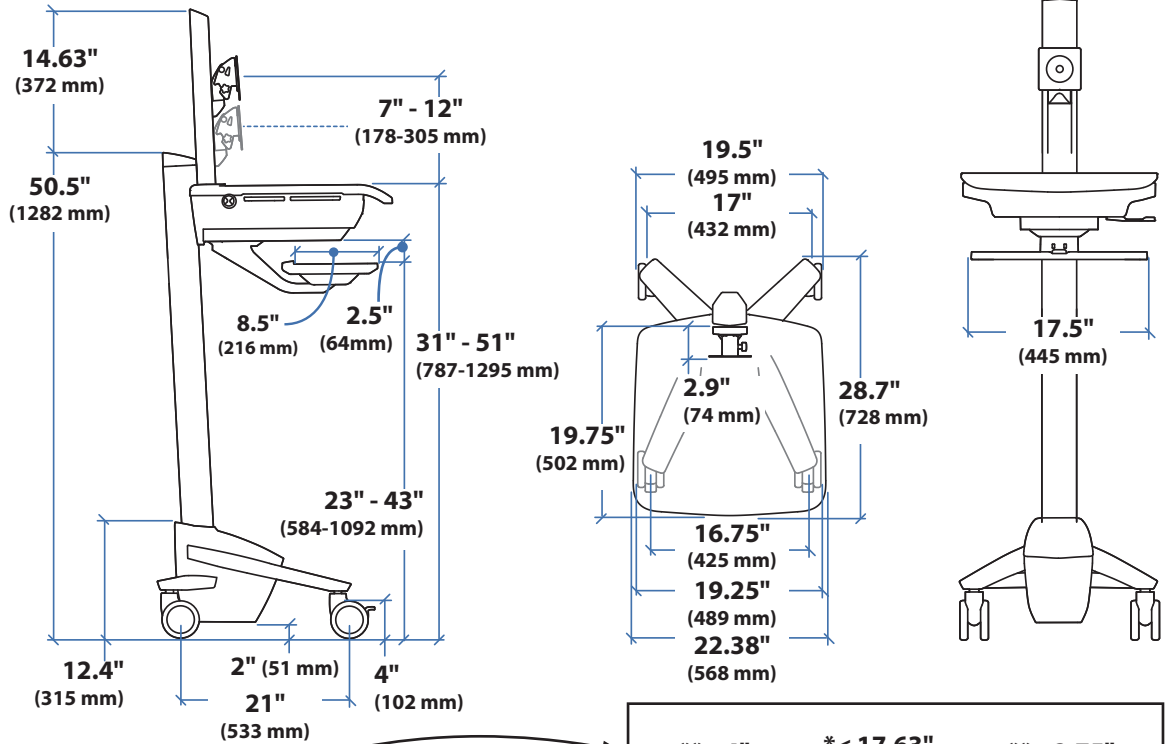


# Ergotron® StyleView Cart

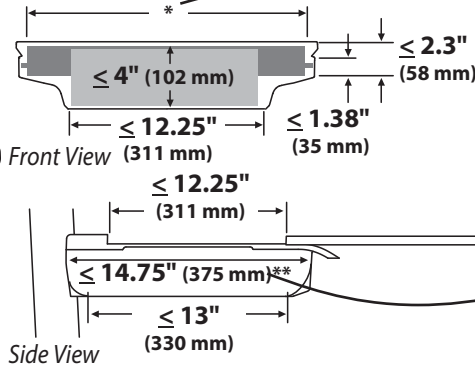
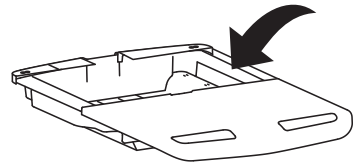
Dimensional Illustrations

## StyleView® Cart with LCD Pivot, SV40

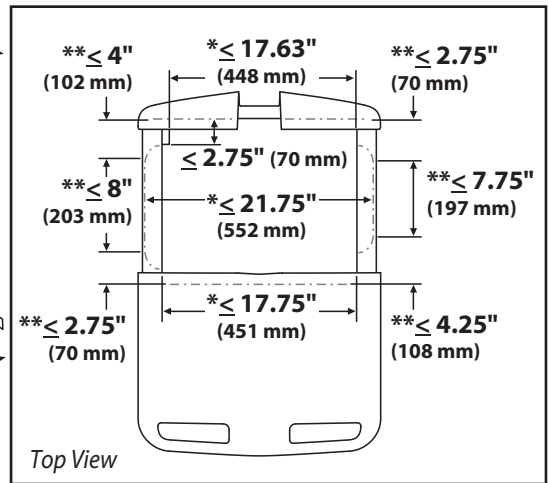
### Dimensions



### CPU Compartment



When figuring dimensions, include mounted accessories, protruding cables and port replicators or docking stations.

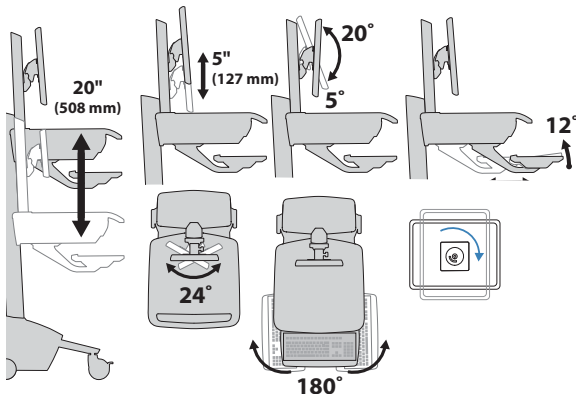


### Weight Capacity

With Independent LCD Lift:	Without Independent LCD Lift:	LB kg
<14 lbs (6.4 kg)	20 lbs (9 kg)	

- 0 lbs (0 kg) Open Worksurface
- <5 lbs (2.3 kg) Closed Worksurface
- <13 lbs (5.9 kg) CPU Compartment

Combined LCD and CPU Compartment weight: <27 lbs (12.2 kg). If the combined LCD and CPU weight is greater than 27 lbs (12.2 kg) then the CPU must be mounted to the rear of the cart using the Universal CPU Holder accessory (ordered separately).



© 2014 Ergotron, Inc. rev. 03/16/2015 DIM-SV4X-EMR-NORO Content is subject to change without notification

### Americas Sales and Corporate Headquarters

St. Paul, MN USA  
 (800) 888-8458  
 +1-651-681-7600  
 www.ergotron.com  
 sales@ergotron.com

### EMEA Sales

Amersfoort, The Netherlands  
 +31 33 45 45 600  
 www.ergotron.com  
 info.eu@ergotron.com

### APAC Sales

Tokyo, Japan  
 www.ergotron.com  
 apaccustomerservice@ergotron.com

### Worldwide OEM Sales

www.ergotron.com  
 info.oem@ergotron.com

