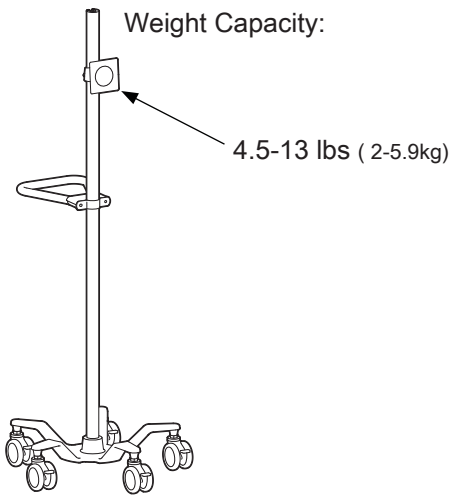
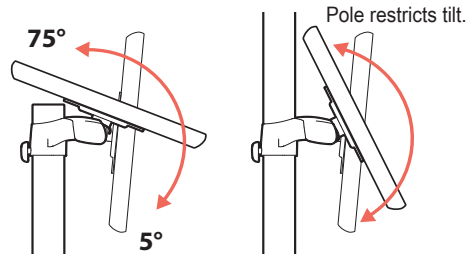


## StyleView® Pole Cart

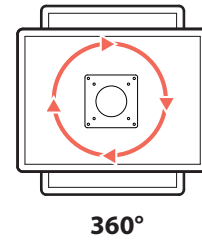


Range of Motion:

Tilt – Forward and Backward



Rotate – Portrait/Landscape



Dimensions:

