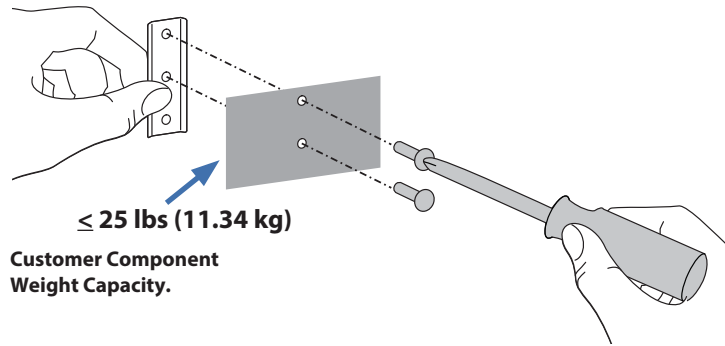
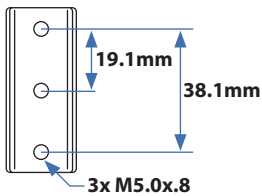


T-Nut Kit



Customer Component Thickness.

