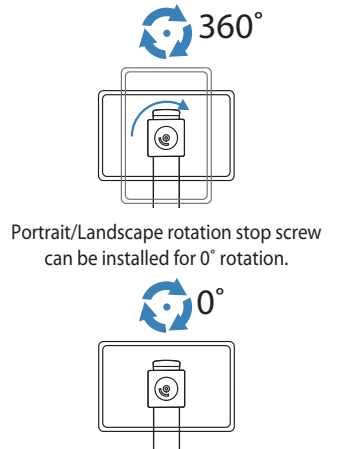
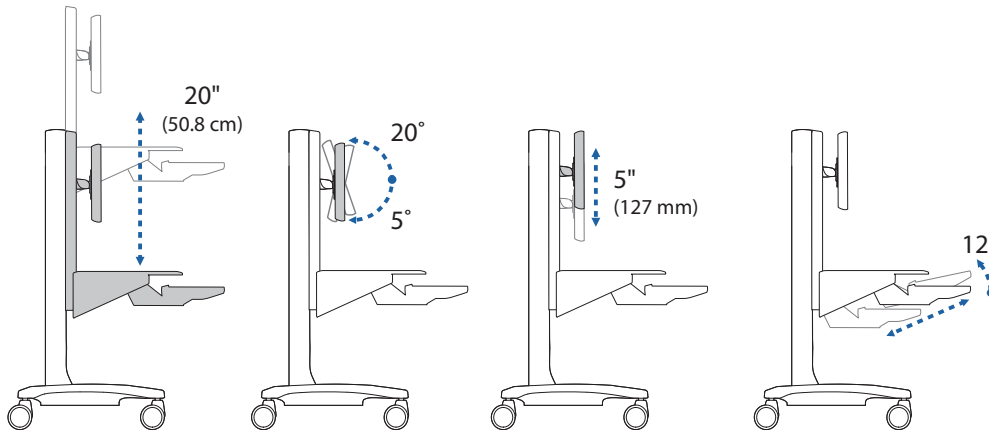
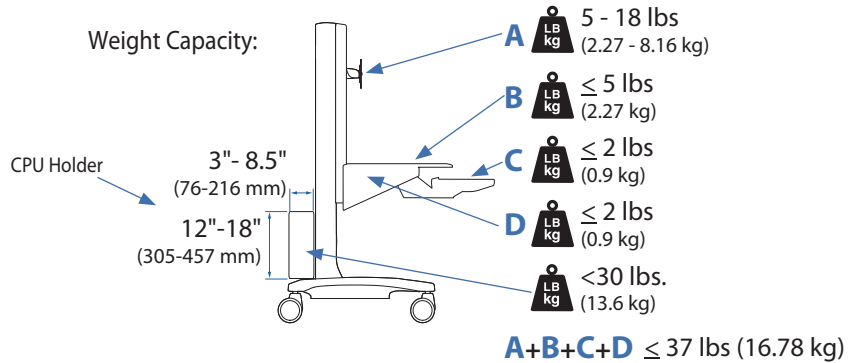
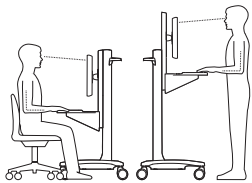
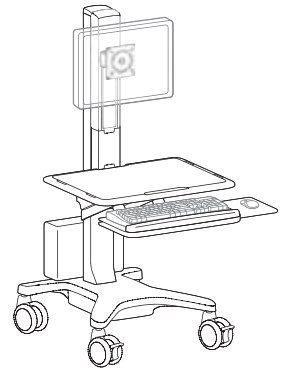
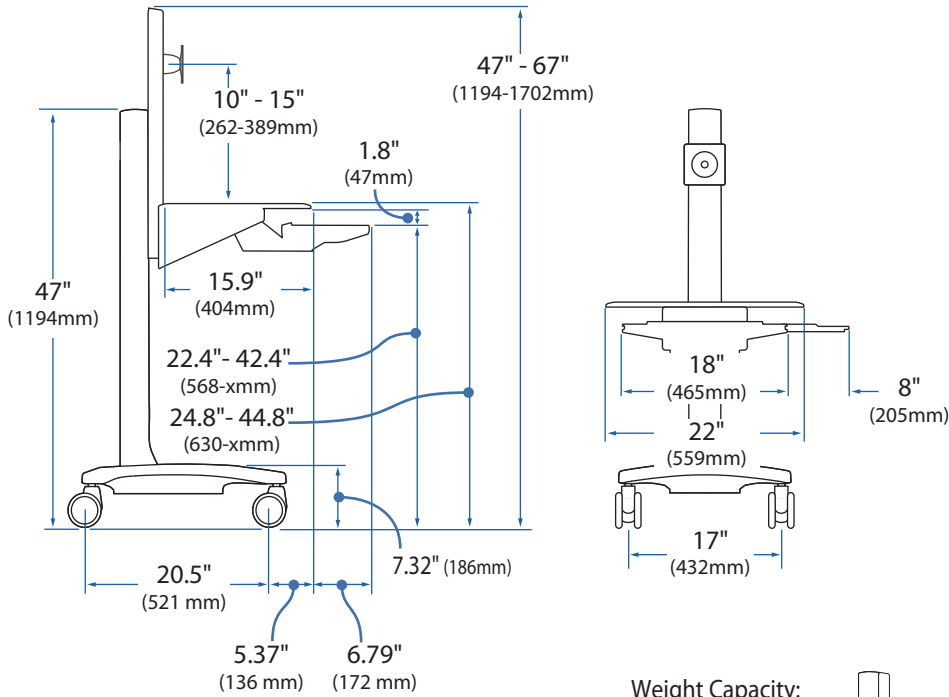


Ergotron®

WorkFit C-Mod, Single LCD Mount, LD

Dimensional & Range of Motion Illustrations



© 2009 Ergotron, Inc. rev. 08/10/2009 DIM-WorkFit C-Mod Content is subject to change without notification

Americas Sales and Corporate Headquarters

St. Paul, MN USA
 (800) 888-8458
 +1-651-681-7600
 www.ergotron.com
 sales@ergotron.com

EMEA Sales

Amersfoort, The Netherlands
 +31 33 45 45 600
 www.ergotron.com
 info.eu@ergotron.com

APAC Sales

Tokyo, Japan
 www.ergotron.com
 info.apac@ergotron.com

Worldwide OEM Sales

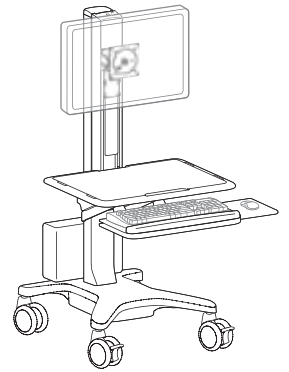
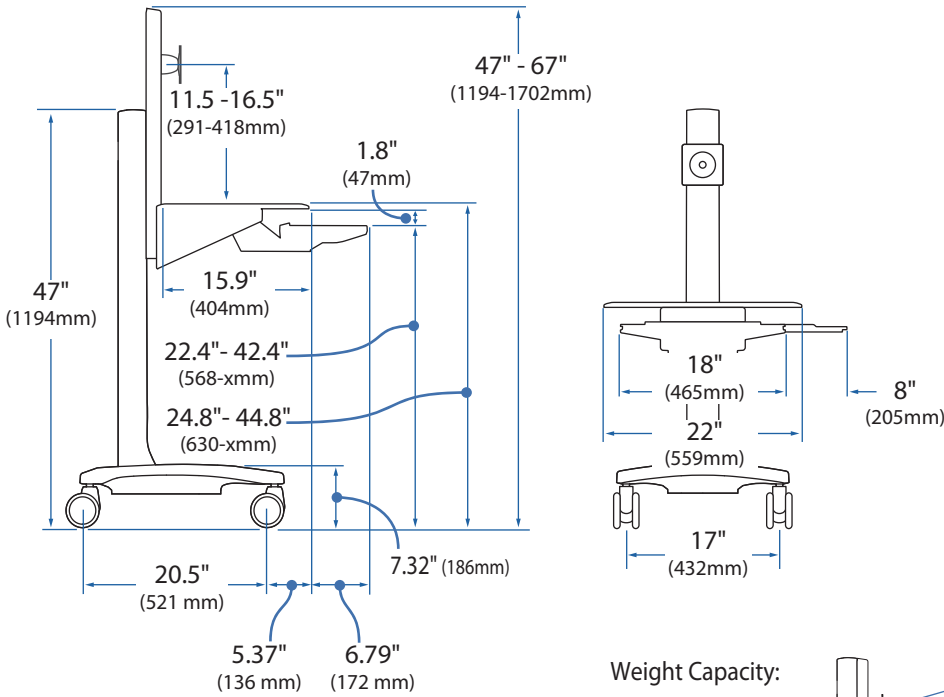
www.ergotron.com
 info.oem@ergotron.com



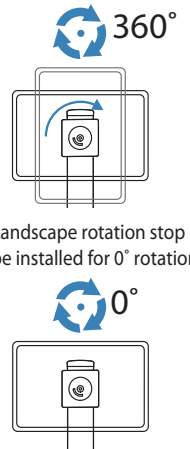
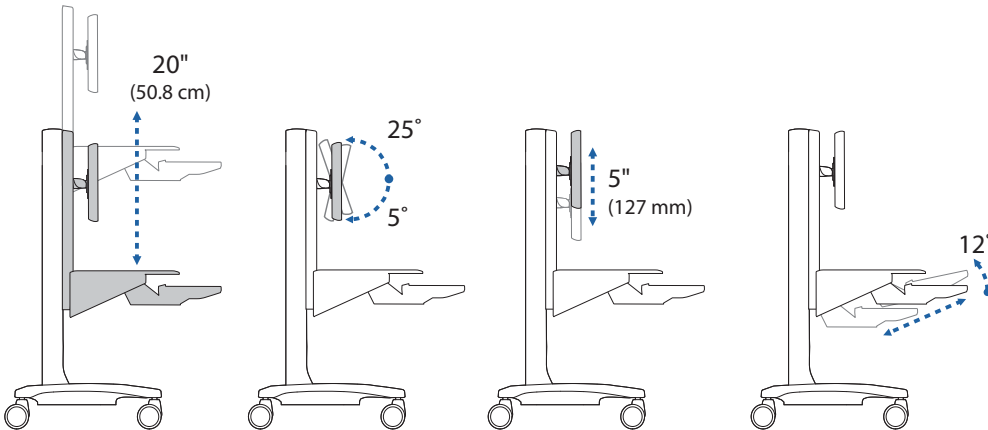
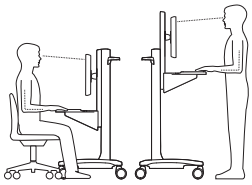
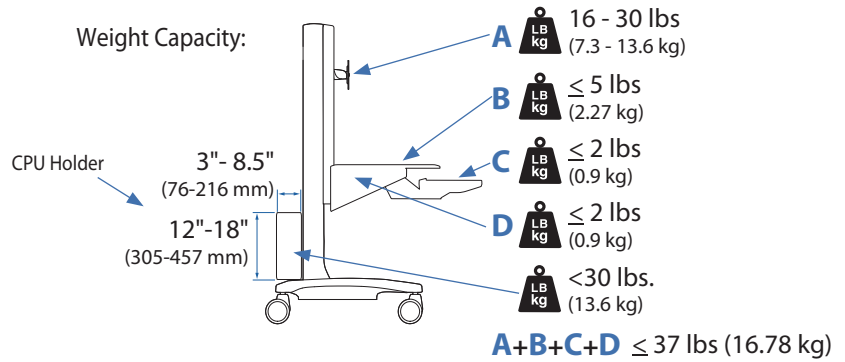
Ergotron®

WorkFit C-Mod, Single LCD Mount, HD

Dimensional & Range of Motion Illustrations



Weight Capacity:



© 2009 Ergotron, Inc. rev. 08/10/2009 DIM-WorkFit C-Mod Content is subject to change without notification

Americas Sales and Corporate Headquarters

St. Paul, MN USA
(800) 888-8458
+1-651-681-7600
www.ergotron.com
sales@ergotron.com

EMEA Sales

Amersfoort, The Netherlands
+31 33 45 45 600
www.ergotron.com
info.eu@ergotron.com

APAC Sales

Tokyo, Japan
www.ergotron.com
info.apac@ergotron.com

Worldwide OEM Sales

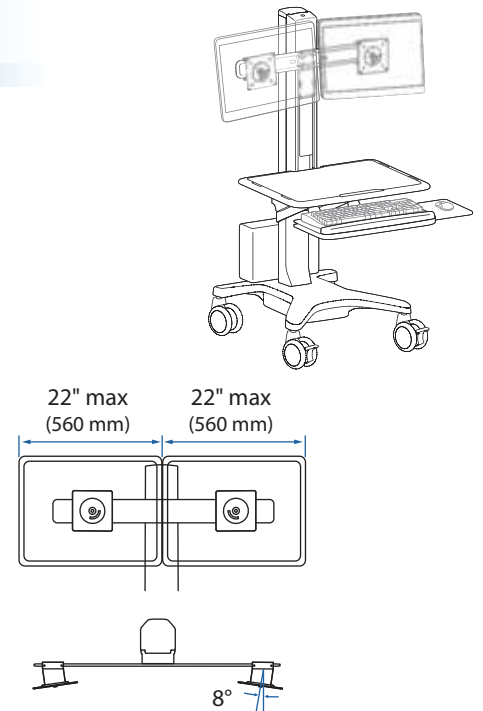
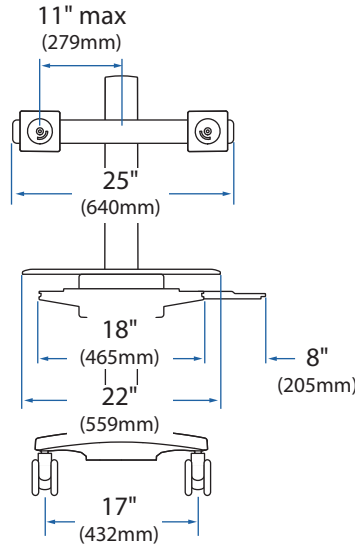
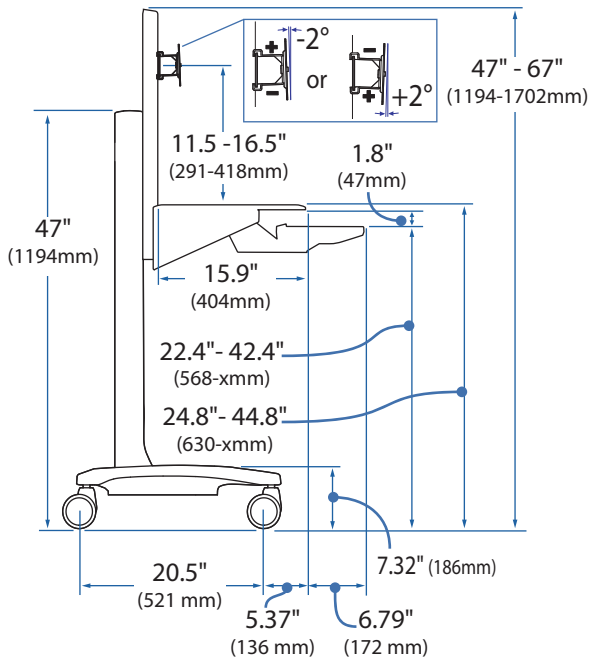
www.ergotron.com
info.oem@ergotron.com



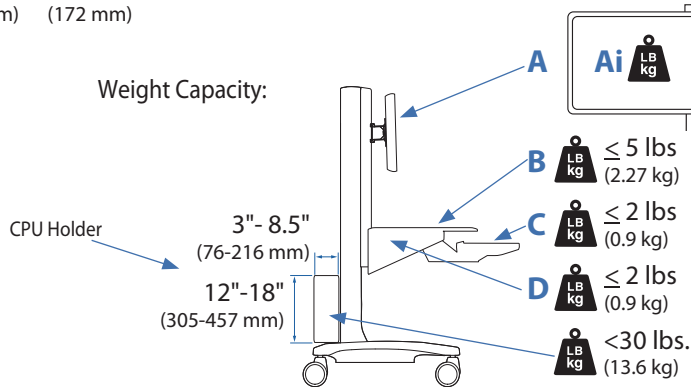
Ergotron®

Dimensional & Range of Motion Illustrations

WorkFit C-Mod, Dual



Weight Capacity:

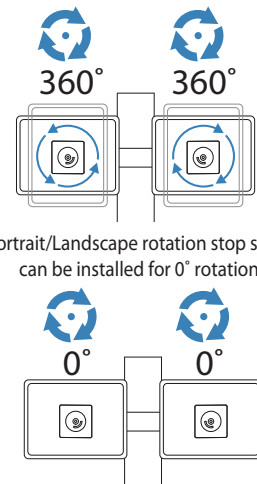
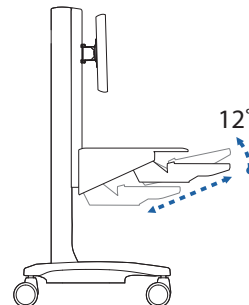
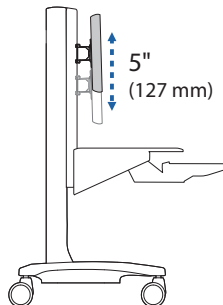
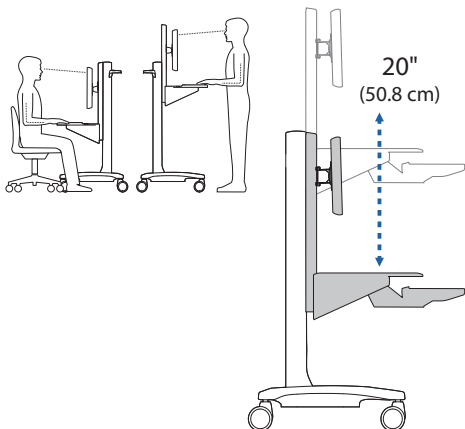


Ai: 6-14 lbs (2.72-6.35 kg)*

Aii: 6-14 lbs (2.72-6.35 kg)*

***Ai+Aii** ≤ 28 lbs (12.7 kg)

Ai=Aii ±1 lbs (.45 kg)



Portrait/Landscape rotation stop screw can be installed for 0° rotation.

© 2009 Ergotron, Inc. rev. 08/10/2009 DIM-WorkFit C-Mod Content is subject to change without notification

Americas Sales and Corporate Headquarters

St. Paul, MN USA
 (800) 888-8458
 +1-651-681-7600
 www.ergotron.com
 sales@ergotron.com

EMEA Sales

Amersfoort, The Netherlands
 +31 33 45 45 600
 www.ergotron.com
 info.eu@ergotron.com

APAC Sales

Tokyo, Japan
 www.ergotron.com
 info.apac@ergotron.com

Worldwide OEM Sales

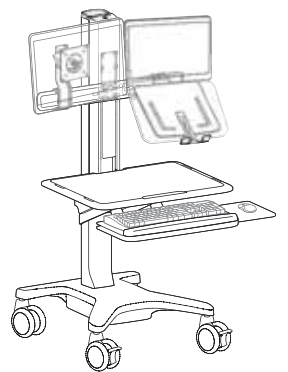
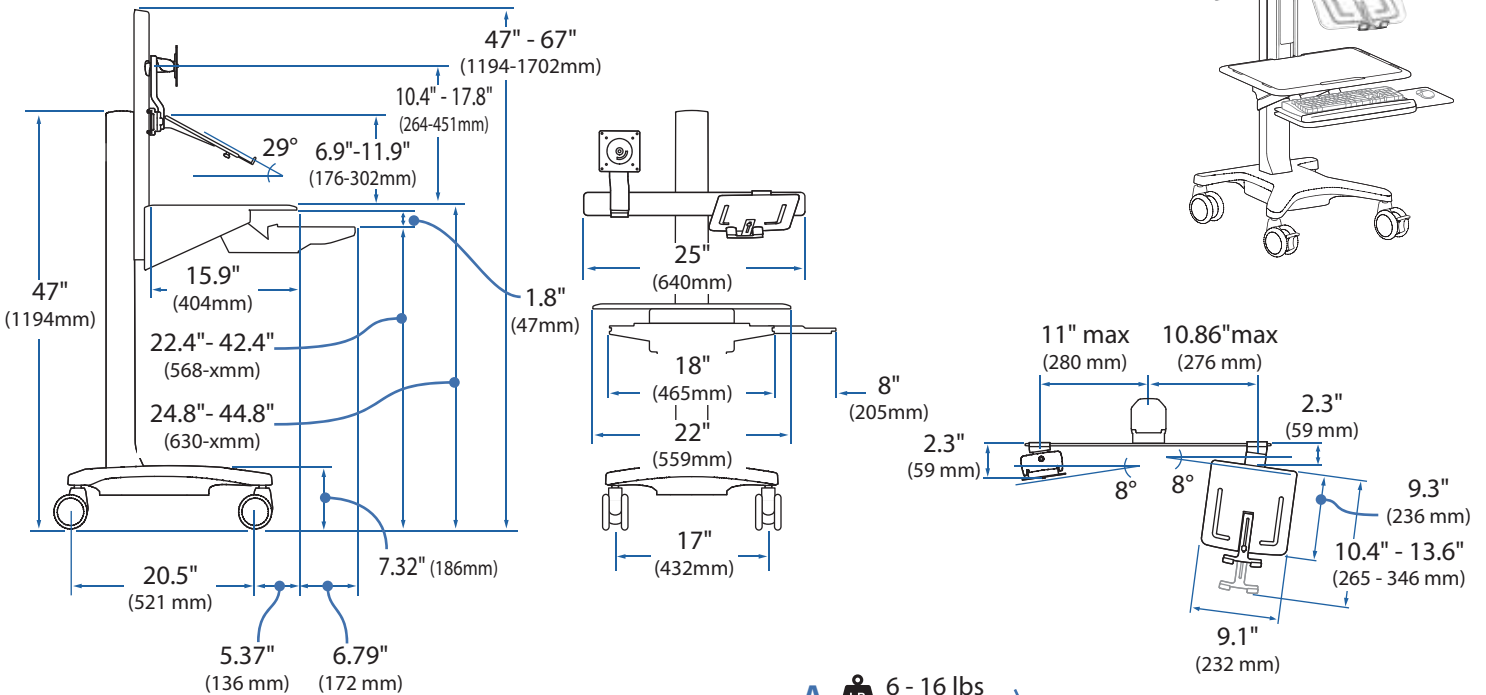
www.ergotron.com
 info.oem@ergotron.com



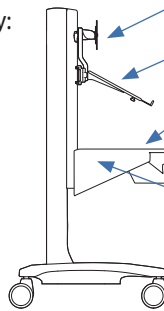
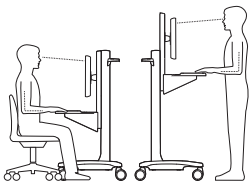
Ergotron®

WorkFit C-Mod, Combo

Dimensional & Range of Motion Illustrations

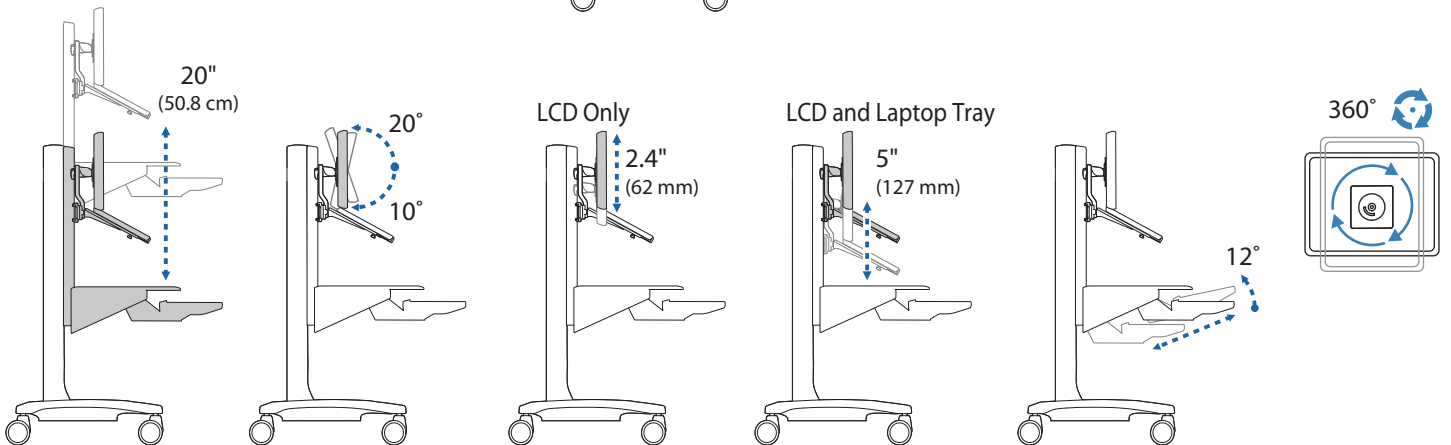


Weight Capacity:



- A** 6 - 16 lbs (2.7 - 7.2 kg)
- A₂** 6 - 10 lbs (2.7 - 4.5 kg)
- B** ≤ 5 lbs (2.27 kg)
- C** ≤ 2 lbs (0.9 kg)
- D** ≤ 2 lbs (0.9 kg)

A+B+C+D ≤ 37 lbs (16.78 kg)



© 2009 Ergotron, Inc. rev. 08/10/2009 DIM-WorkFit C-Mod Content is subject to change without notification

Americas Sales and Corporate Headquarters

St. Paul, MN USA
(800) 888-8458
+1-651-681-7600
www.ergotron.com
sales@ergotron.com

EMEA Sales

Amersfoort, The Netherlands
+31 33 45 45 600
www.ergotron.com
info.eu@ergotron.com

APAC Sales

Tokyo, Japan
www.ergotron.com
info.apac@ergotron.com

Worldwide OEM Sales

www.ergotron.com
info.oem@ergotron.com

