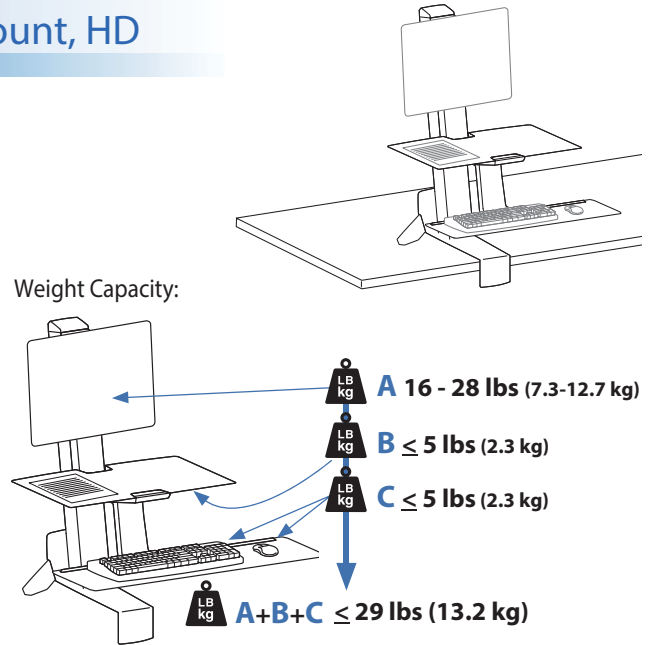
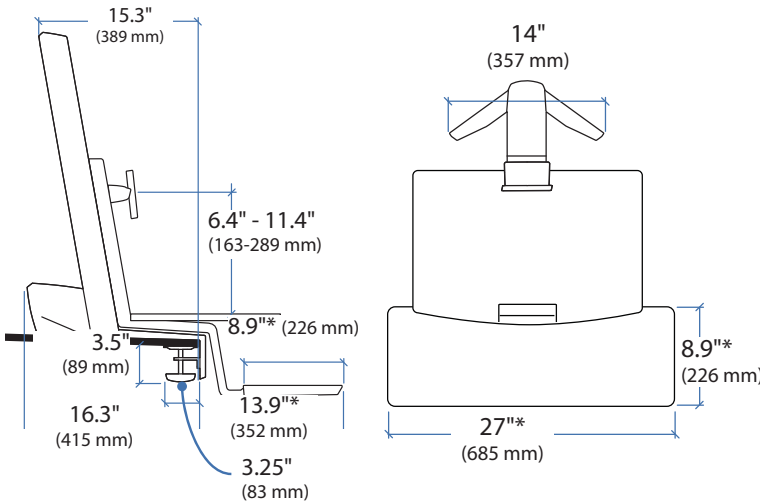


Ergotron®

WorkFit-S with Worksurface, Single LCD Mount, HD

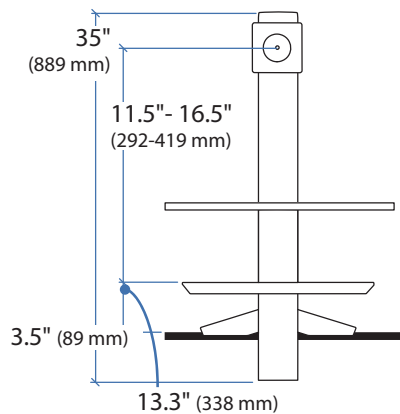
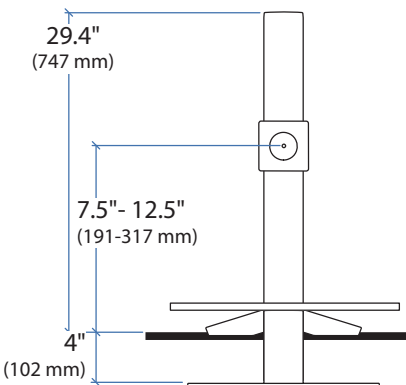
Dimensional & Range of Motion Illustrations



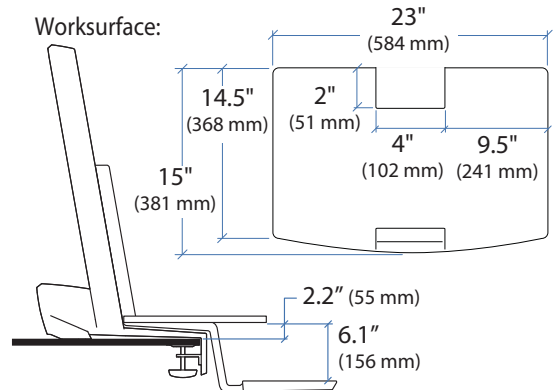
*Keyboard Tray has 9 Mounting Locations - see page 5 for details.

Lowest Position

Highest Position

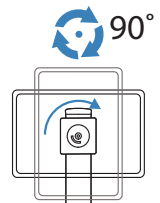
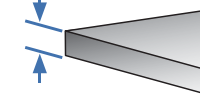
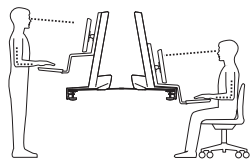


Worksurface:

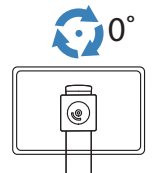
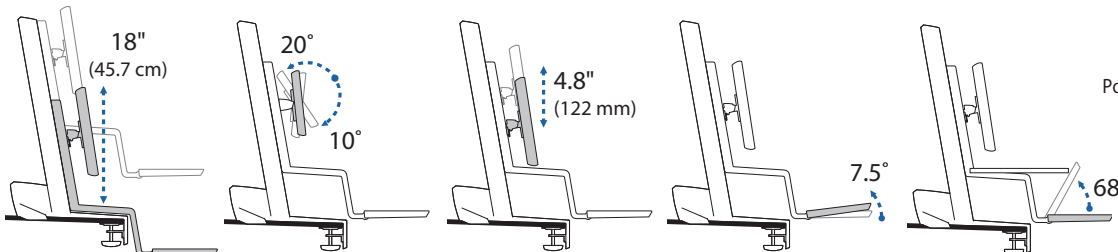


Desk Thickness:

≤ 2.4" (60 mm)



Portrait/Landscape rotation stop screw can be installed for 0° rotation.



© 2014 Ergotron, Inc. rev. 06/25/2014 DIM-WorkFit-S-Worksurface Content is subject to change without notification

Americas Sales and Corporate Headquarters

St. Paul, MN USA
(800) 888-8458
+1-651-681-7600
www.ergotron.com
sales@ergotron.com

EMEA Sales

Amersfoort, The Netherlands
+31 33 45 45 600
www.ergotron.com
info.eu@ergotron.com

APAC Sale

Tokyo, Japan
www.ergotron.com
apaccustomerservice@ergotron.com

Worldwide OEM Sales

www.ergotron.com
info.oem@ergotron.com

