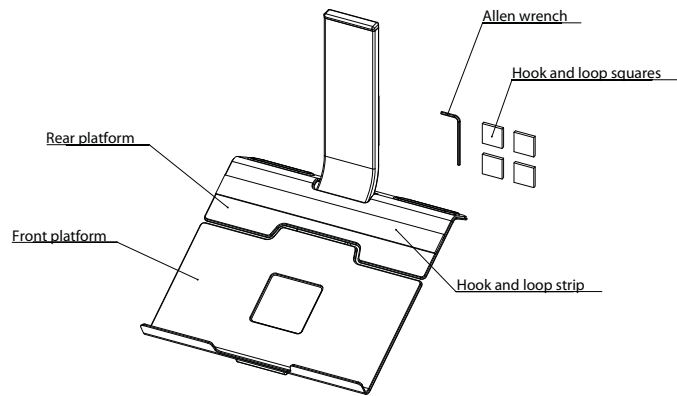


# M2/M8 Notebook Holder Installation Instructions

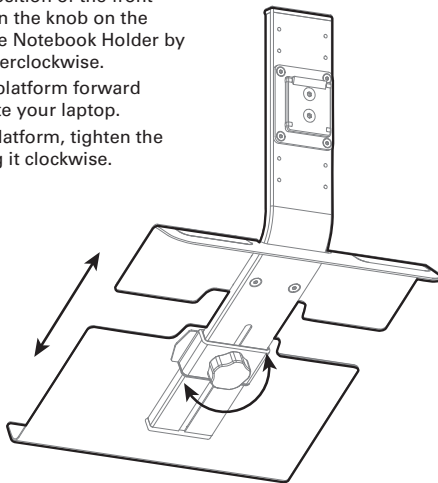


www.humanscale.com

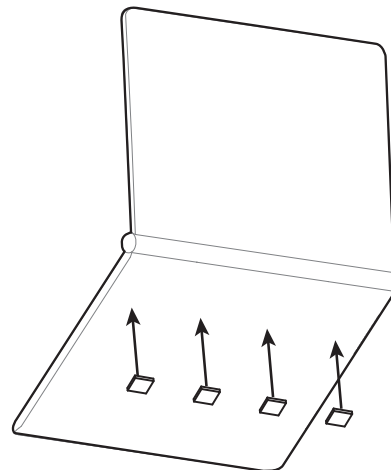
## INSTALLING WHEN USING ONLY A LAPTOP

- 1** Extend the front platform to accommodate the size of your laptop.

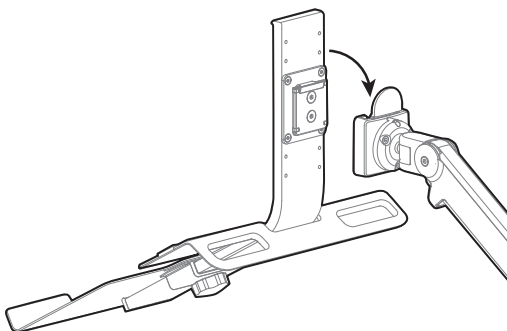
- To adjust the position of the front platform, loosen the knob on the underside of the Notebook Holder by turning it counterclockwise.
- Slide the front platform forward to accommodate your laptop.
- To secure the platform, tighten the knob by turning it clockwise.



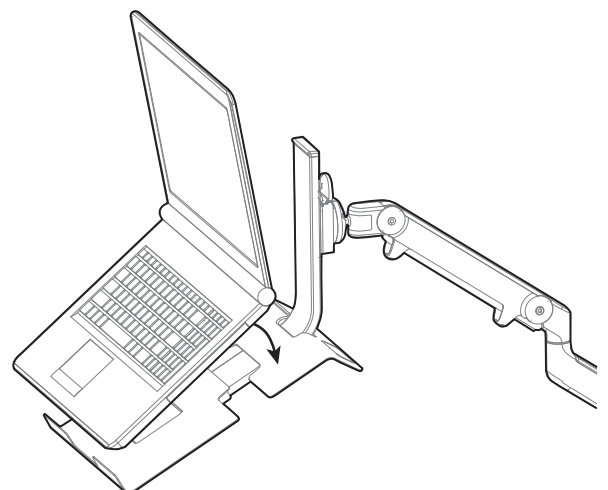
- 2** Attach the supplied squares of self-adhesive hook-and-loop tape to the underside of your laptop in an evenly spaced straight line to ensure that squares are aligned with the hook-and-loop strip that is already on the rear platform.



- 3** Attach the Notebook Holder's VESA fitting to the monitor arm ball joint connector by sliding the VESA fitting onto the ball joint connector and snapping it into place.



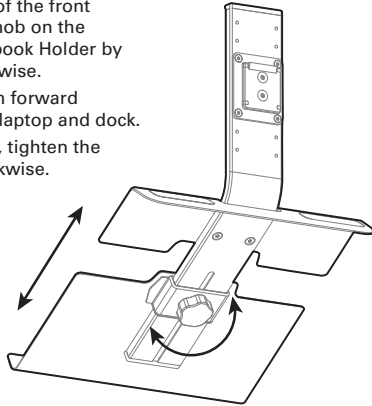
- 4** Place the laptop onto the Notebook Holder.



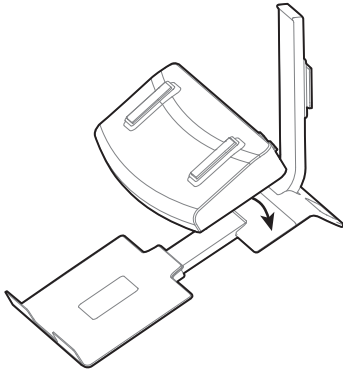
## INSTALLING WHEN USING A LAPTOP AND DOCK

- 1** Extend the front platform to accommodate the size of your laptop and dock combined.

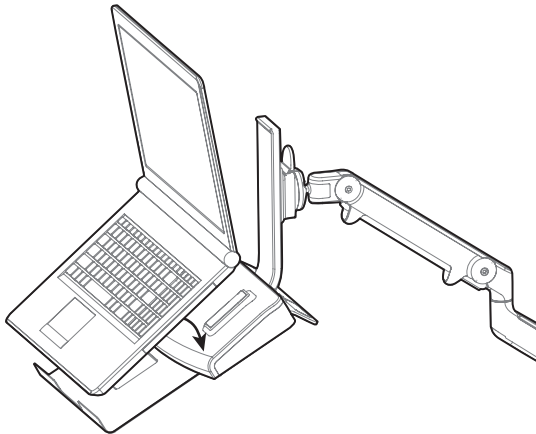
- To adjust the position of the front platform, loosen the knob on the underside of the Notebook Holder by turning it counterclockwise.
- Slide the front platform forward to accommodate your laptop and dock.
- To secure the platform, tighten the knob by turning it clockwise.



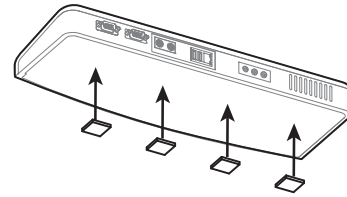
- 3** To attach the dock to the rear platform, press the dock and rear platform together so that the hook-and-loop tape fastens firmly into place.



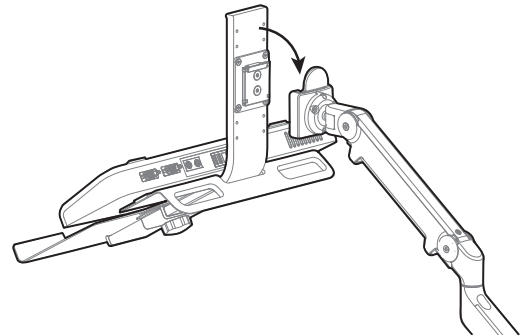
- 5** Place the laptop onto the Notebook Holder.



- 2** Attach the supplied squares of self-adhesive hook-and-loop tape to the underside of your dock in an evenly spaced straight line to ensure that squares are aligned with the hook-and-loop strip that is already on the rear platform.



- 4** Attach the Notebook Holder's VESA fitting to the monitor arm ball joint connector by sliding the VESA fitting onto the ball joint connector and snapping it into place.



## INSTALLING AND ADJUSTING THE NOTEBOOK HOLDER ON AN M8 CROSSBAR

When the Notebook Holder is installed on an M8 with Crossbar, it can be vertically set to allow the laptop screen to be aligned with an adjacent monitor.

To change the height setting, unscrew the VESA fitting using the supplied Allen wrench and re-attach the Notebook Holder in the desired location. The VESA fitting holes are spaced at 20 mm intervals.

To attach the Notebook Holder to the M8 with Crossbar and install the laptop in the Notebook Holder, follow the instructions section for "Installing When Using Only a Laptop."

