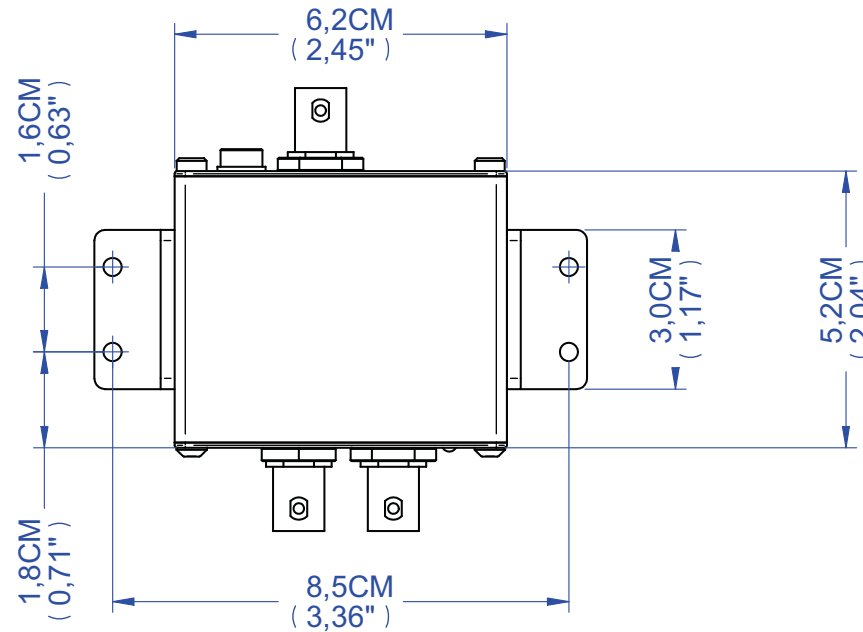
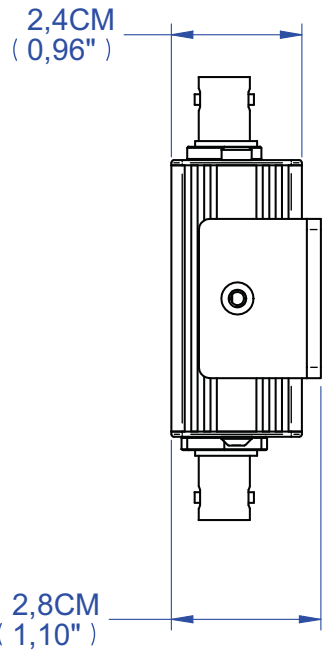
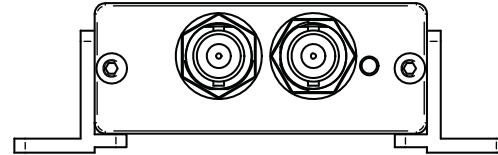




REVISION HISTORY

REV	DESCRIPTION	ECO NO.	DATE	APPROVED
1	PRELIMINARY		DD . MM . YY	



	NAME	DATE	 KRAMER ELECTRONICS LTD. JERUSALEM, ISRAEL
DRAWN	ihassidim	13/Jan/10	
CHECKED			
ENG APPR			
MGR APPR			PART: PT102VN-EXTR-OUTLINE
UNLESS OTHERWISE SPECIFIED DIMENSIONS ARE IN MILLIMETERS ANGLES ±0.5° LINEAR ±0.2 HOLES +0.2			SIZE A3 KRAMER P.N.: PT102VN-EXTR-OUTLINE REV 1
			File name: PT102VN-EXTR-OUTLINE.dft Project: PT102VN Sheet 1 of 1