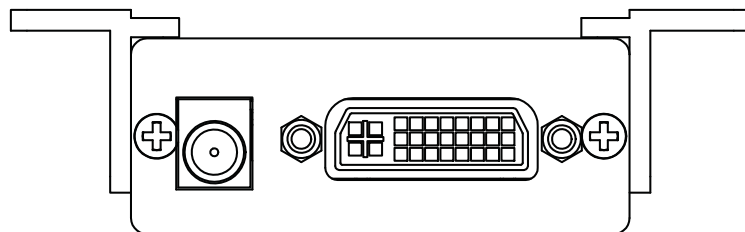
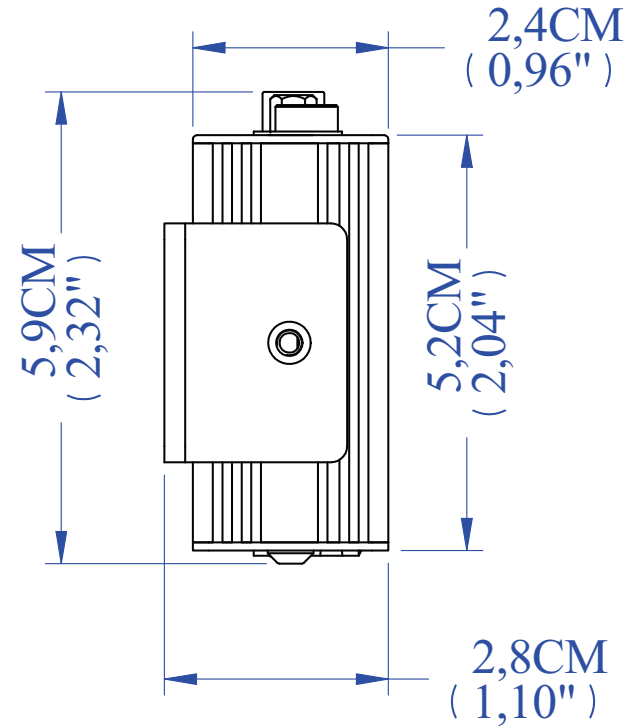
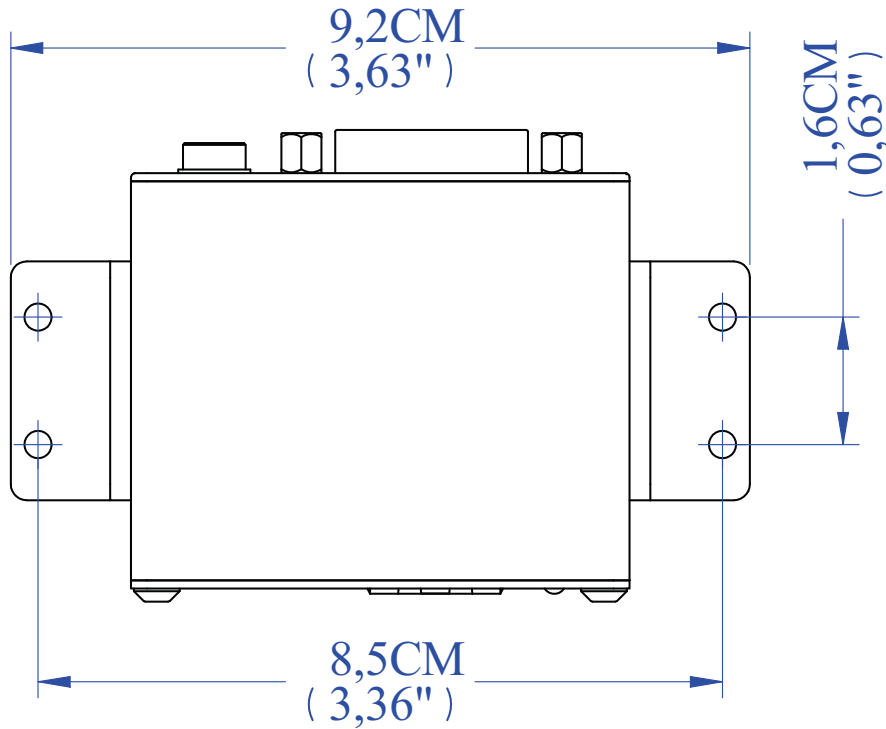
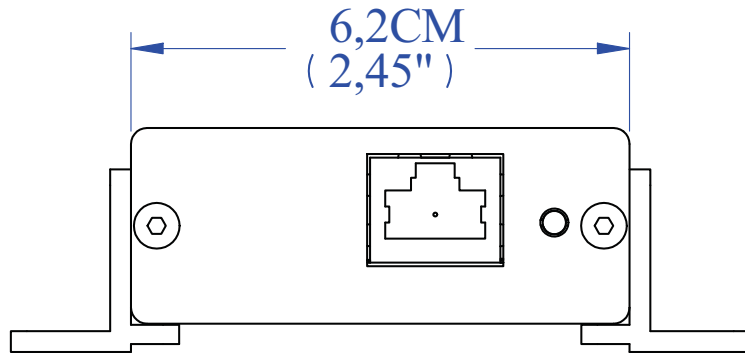



REV	DESCRIPTION	ECO NO.	DATE	APPROVED
1	PRELIMINARY		DD . MM . YY	

PT-571HDCP



	NAME	DATE	 KRAMER ELECTRONICS LTD. JERUSALEM, ISRAEL
DRAWN	ihassidim	24/Oct/11	
CHECKED			
ENG APPR			
MGR APPR			PART: PT-571HDCP-OUTLINE
UNLESS OTHERWISE SPECIFIED DIMENSIONS ARE IN MILLIMETERS ANGLES ±0.5° LINEAR ±0.2 HOLES +0.2			SIZE A3 KRAMER P.N.: PT-571HDCP-OUTLINE REV 1
			File name: PT-571HDCP-OUTLINE.dft Project: PT-571HDCP Sheet 1 of 1