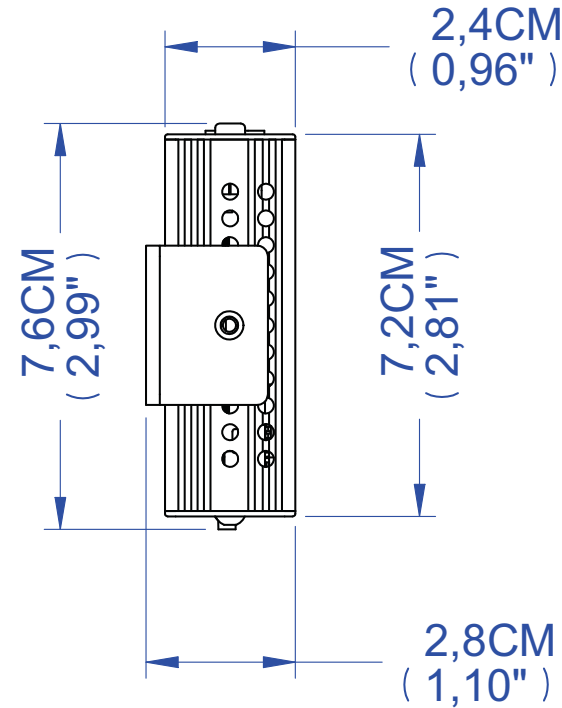
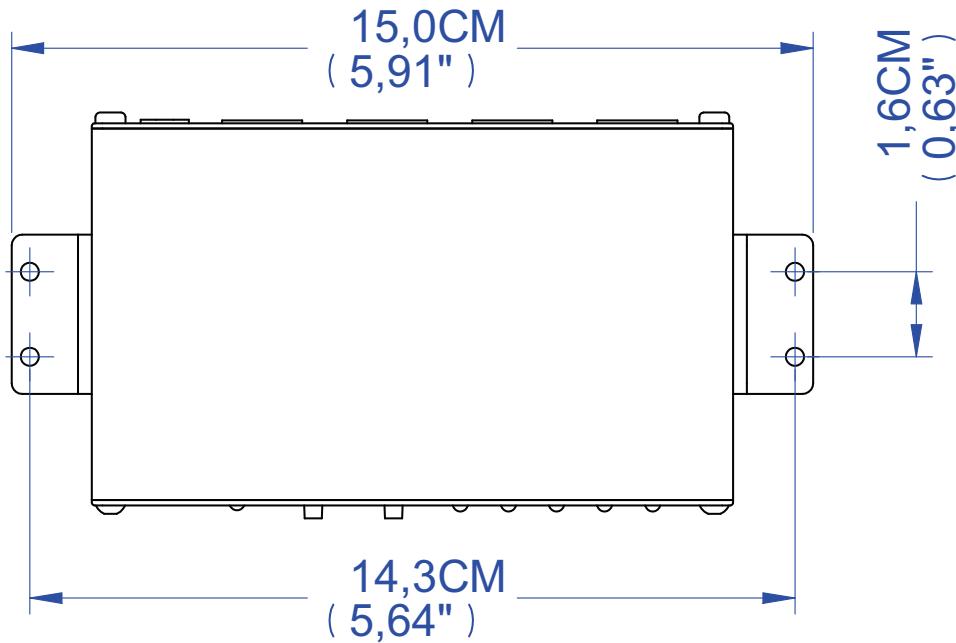
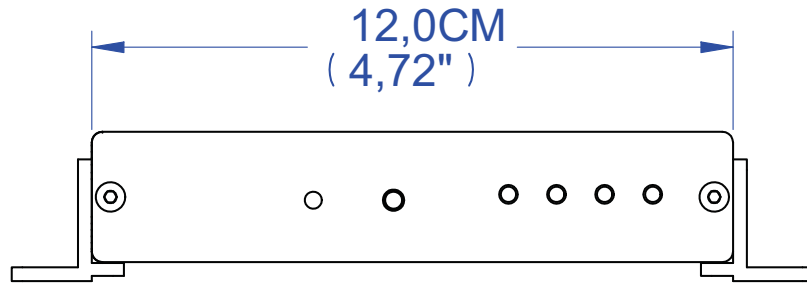
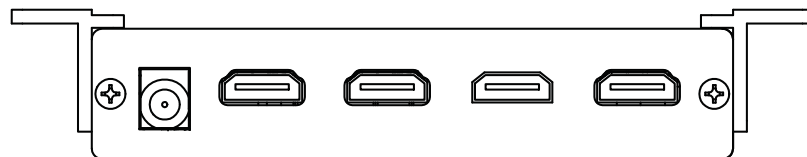



REV	DESCRIPTION	ECO NO.	DATE	APPROVED
1	PRELIMINARY		DD . MM . YY	



VM-2HXL



NAME		DATE	 KRAMER ELECTRONICS LTD. JERUSALEM, ISRAEL		
DRAWN	ihassidim	23/Oct/11			
CHECKED			PART: VM-2HXL-EXT-OUTLINE		
ENG APPR					
MGR APPR					
UNLESS OTHERWISE SPECIFIED DIMENSIONS ARE IN MILLIMETERS ANGLES ±0.5° LINEAR ±0.2 HOLES +0.2			SIZE A3	KRAMER P.N.: VM-2HXL-EXT-OUTLINE	REV 1
			File name: VM-2HDMIXL-EXT-OUTLINE.dft		
			Project: VM-2HXL	Sheet 1 of 1	