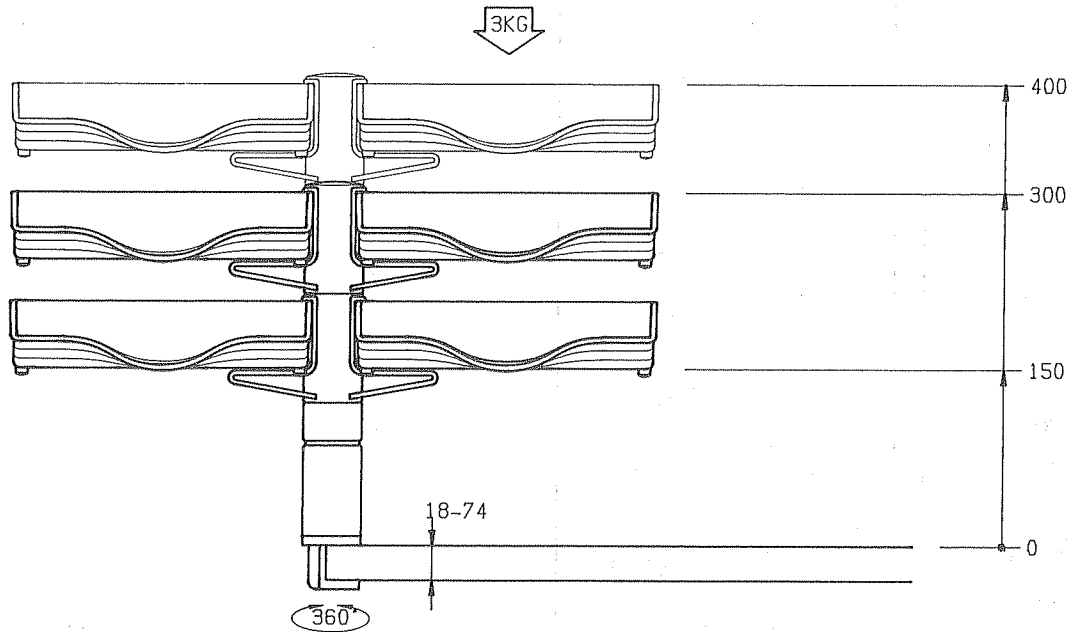
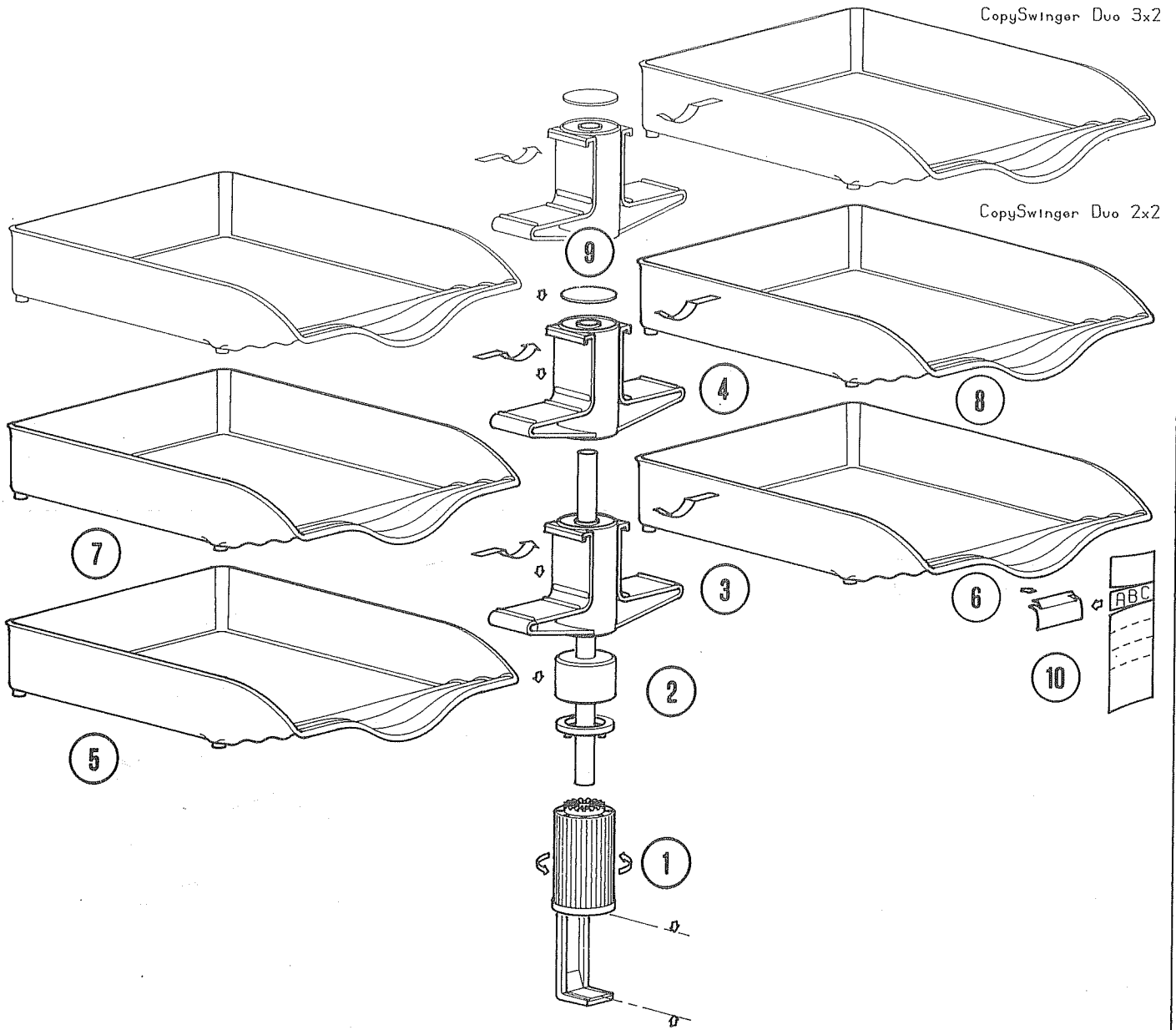
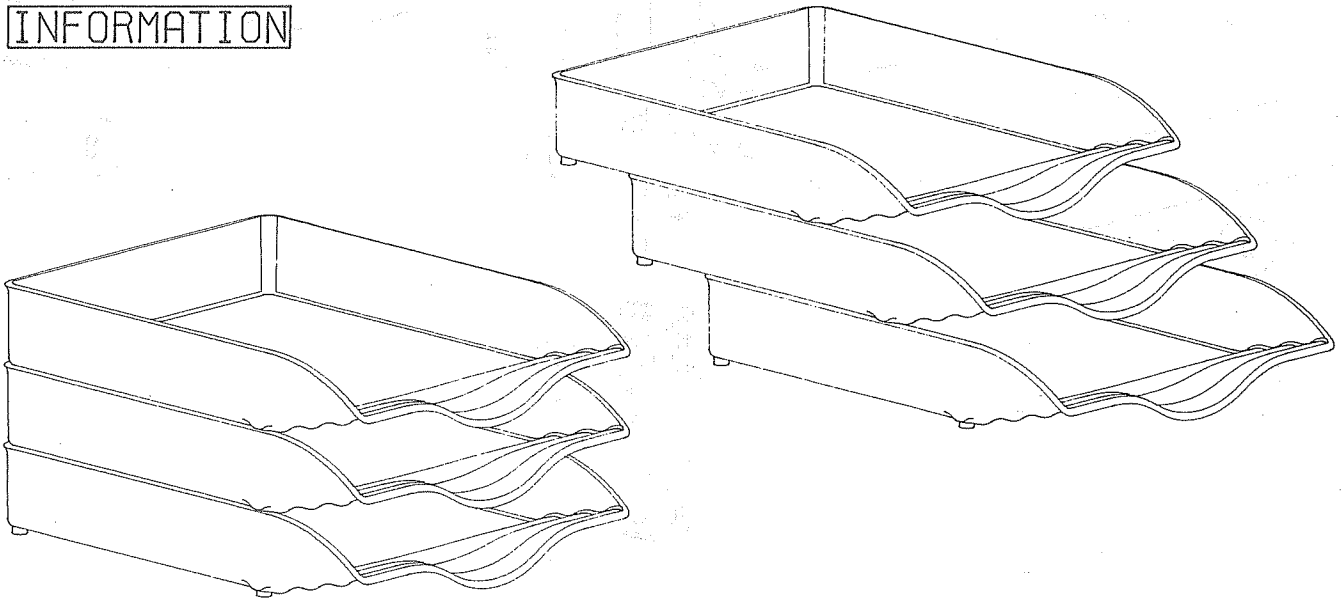


MONTAGE

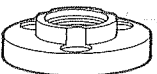
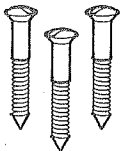
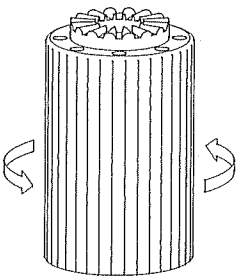


1027-80113

INFORMATION

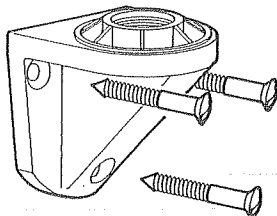
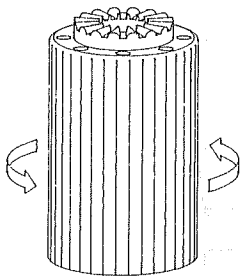


ACCESSOIRE



Nr:795150.

ACCESSOIRE



Nr:795200.