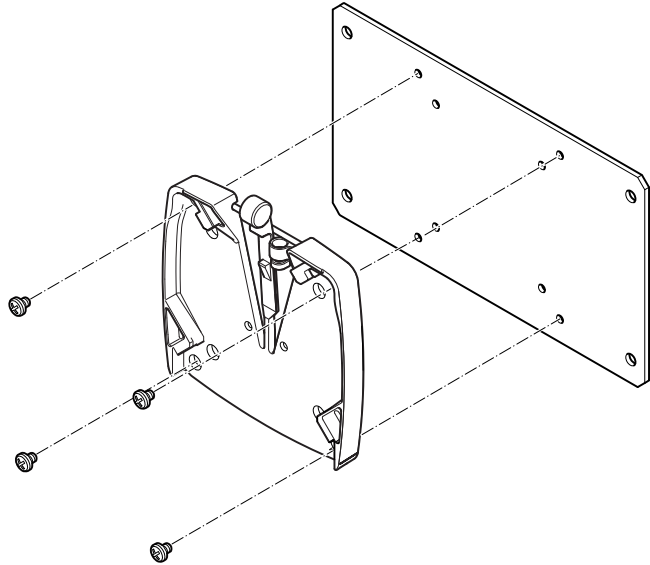
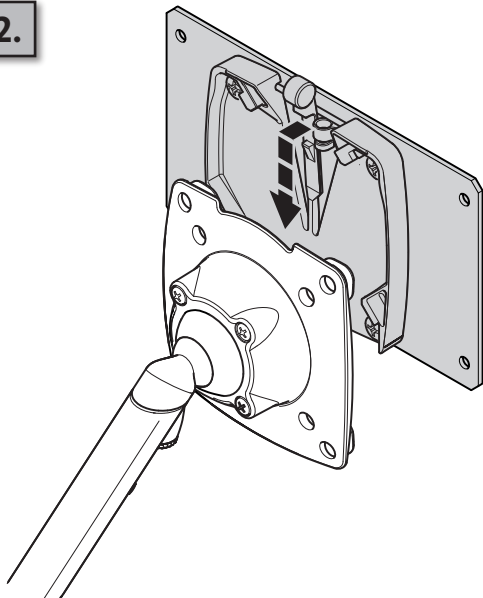


Quickrelease LiftTEC → Standard 200/100

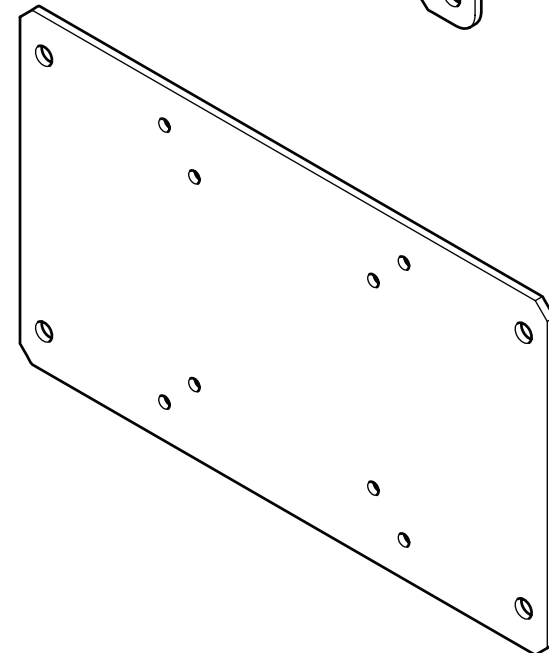
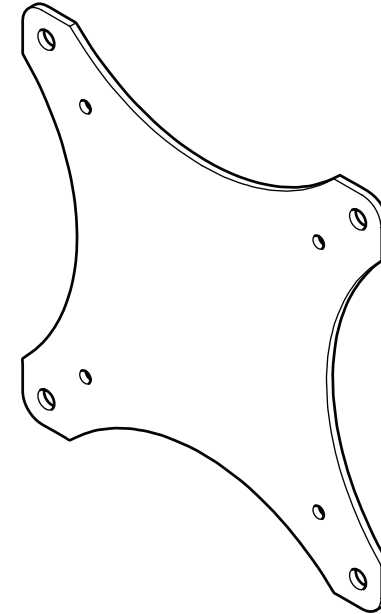
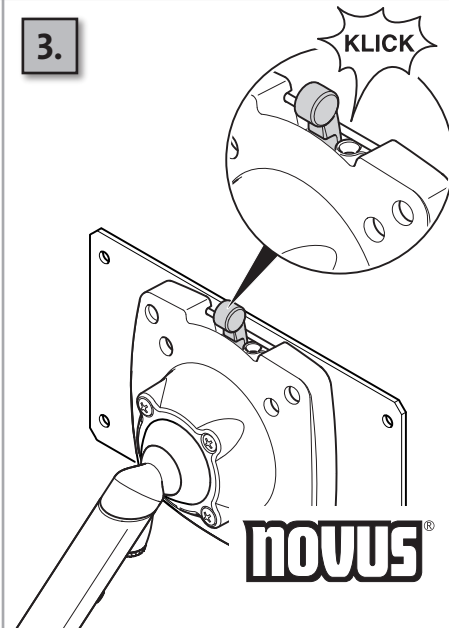
1.



2.

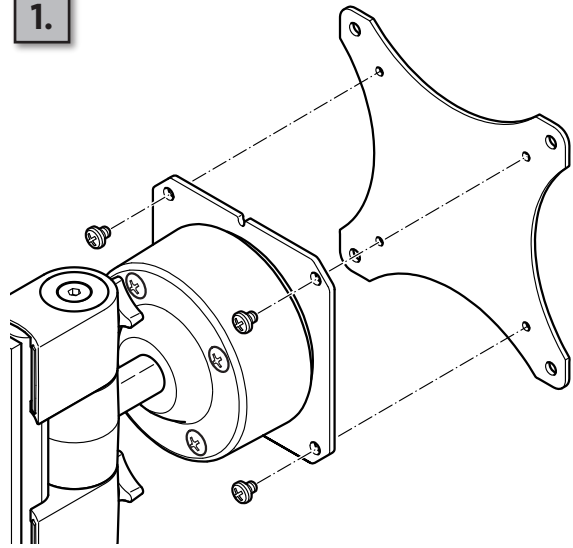


3.

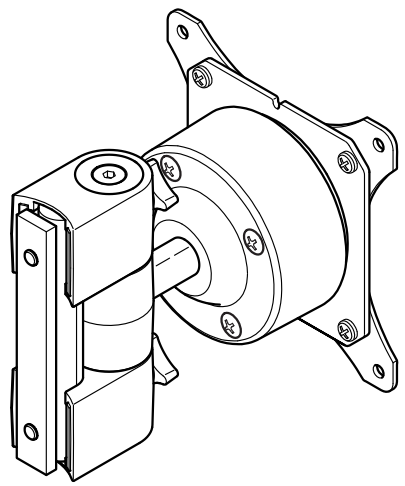


Standard 75 → Standard 100

1.

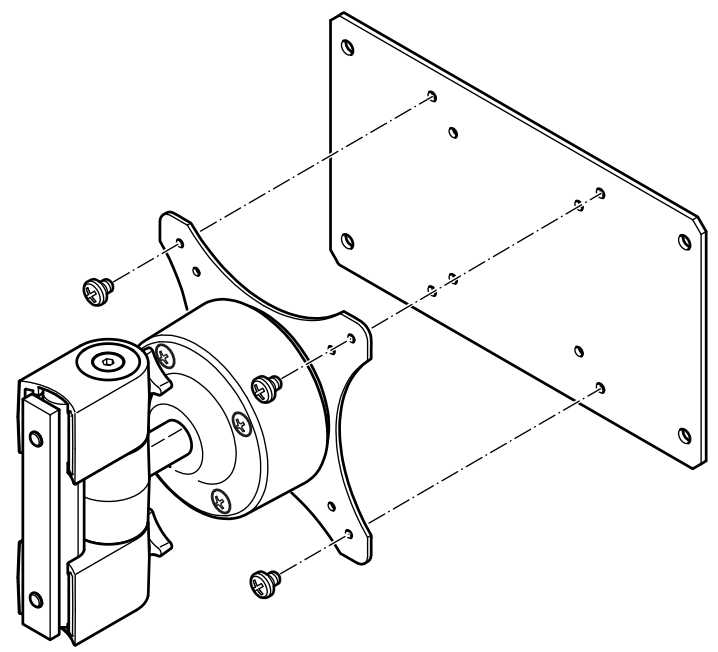


2.

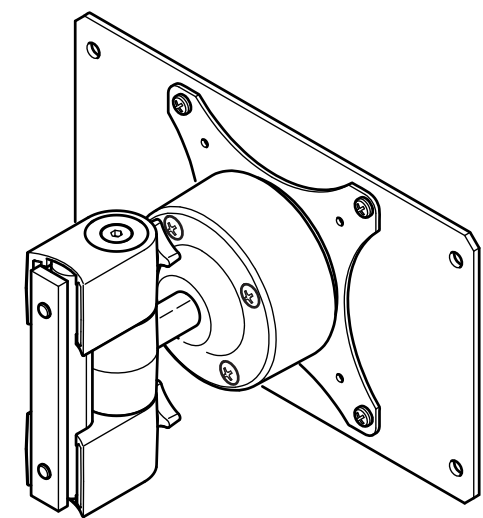


Standard 75/100 → Standard 200/100

1.

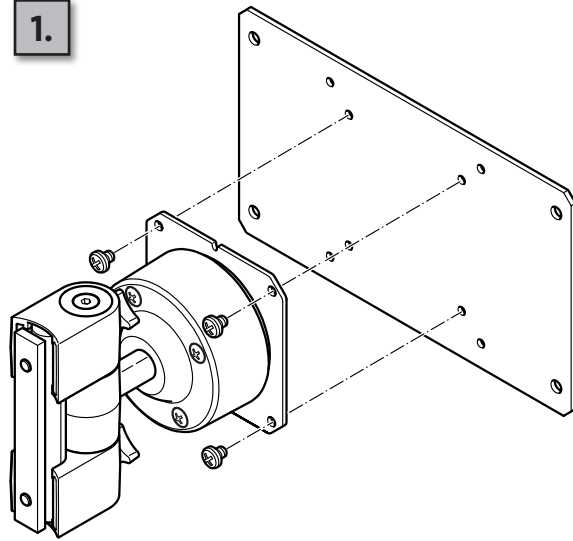


2.



Standard 75 → Standard 200/100

1.



2.

