

**DS-VW755S** SmartMount® Full Service Thin Video Wall Mount with Quick Release for 46" -65" Displays

**Product Specifications**

	DIMENSIONS (W x H x D)	PRODUCT WEIGHT	LOAD CAPACITY	FINISH	AVAILABLE COLORS
<b>DS-VW755S</b>	21.44" x 20.50" x 1.88"-2.63" (545 x 521 x 48 - 67mm)	20.9lb (9.5kg)	80lb (36.4kg)	Textured	Black

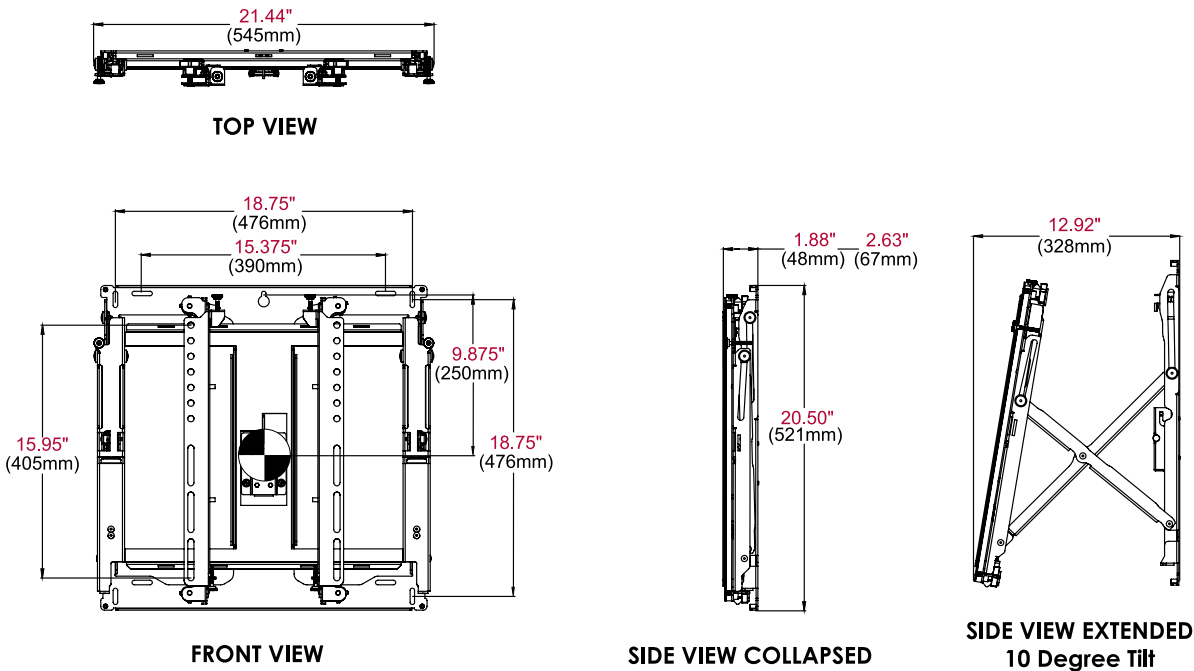
**Package Specifications**

	PACKAGE SIZE (W x H x D)	PACKAGE SHIP WEIGHT	PACKAGE UPC CODE	PACKAGE CONTENTS	UNITS IN PACKAGE
<b>DS-VW755S</b>	23.00" x 22.50" x 5.50" (584 x 571 x 140mm)	25.4lb (11.5kg)	735029302438	Wall Mount Assembly, Mounting Attachment Rails, Fasteners	1

**Accessories**

- ACC-V800X:** Adaptor for VESA® 600 x 400 and 800 x 400mm mounting patterns
- ACC-DHK:** Display Handling Kit
- ACC-DHP6:** Display Handling Kit Replacement Pads - 6pk
- ACC-V600800:** Ultra Thin VESA® 600 x 400mm Adaptor
- DS-VWRSXXX:** Reusable Display Dedicated Spacers

All dimensions = inch (mm)



**Architect Specifications**

The Smartmount® Full Service Thin Video Wall Mount with Quick Release shall be a Peerless-AV model DS-VW755S and shall be located where indicated on the plans. Assembly and installation shall be done according to instructions provided by the manufacturer.

Visit [peerless-av.com](http://peerless-av.com) to see the complete line of AV solutions from Peerless-AV, including outdoor displays, wireless, kiosks, digital audio, display mounts, projector mounts, carts/stands, and a full assortment of accessories.

**Peerless-AV**  
2300 White Oak Circle  
Aurora, IL 60502 USA  
  
**(800) 865-2112**  
**(630) 375-5100**  
**Fax: (800) 359-6500**

**Peerless-AV Europe**  
Unit 3 Watford Interchange  
Colonial Way, Watford  
Herts, WD24 4WP  
United Kingdom  
**+44 (0) 1923 200100**  
**Fax: +44 (0) 1923 200101**

**Peerless-AV de México**  
Ave de las Industrias 413  
Parque Industrial Escobedo  
Escobedo, N.L.,  
Mexico 66050  
**+52 (81) 8384-8300**  
**Fax: +52 (81) 8384-8360**

