
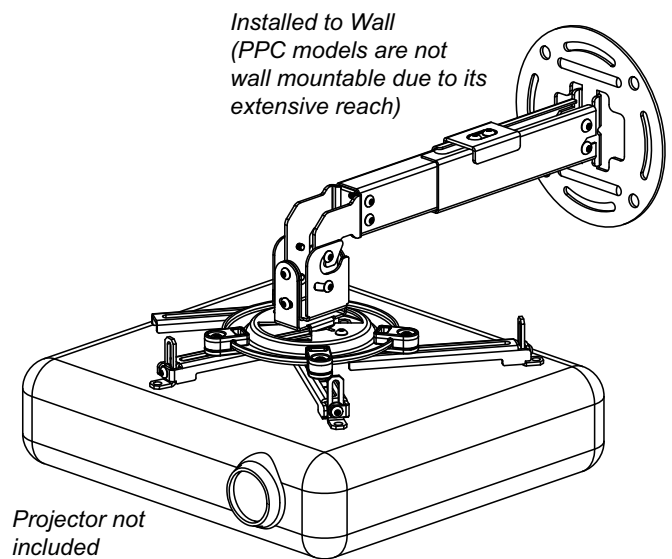
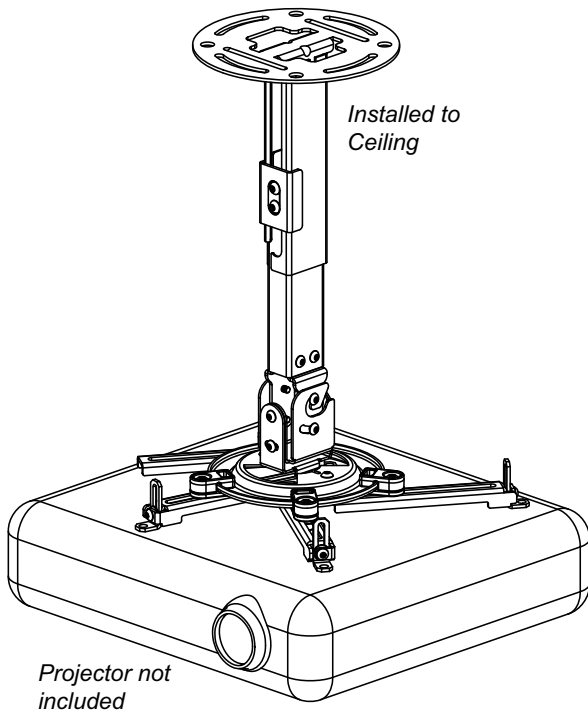


Installation and Assembly: ParamountTM Projector Ceiling/Wall Mount

Models: PPA, PPA-S, PPA-W, PPB, PPB-S, PPB-W, PPC, PPC-S, PPC-W,

 This product is UL Listed. It must be installed by a qualified professional installer.

Maximum UL Load Capacity:
50 lb (22.7 kg)



Features:

- Continuous channel design for uninterrupted drop length or wall extension adjustments
- Various height adjustments for ideal viewing positions
- 360° of mountable adjustment
- Internal cable management
- Safety catch designed into extension channels to ensure user and equipment safety
- Provides full range of image adjustment: Tilt: +30/-5°, Roll: ±20°, Swivel: 360° mountable adjustment (±20° at mount)
- Spider® universal adapter plate extends from 7.1" to 16.55" to fit most projector models

Note: Read entire instruction sheet before you start installation and assembly.

⚠ WARNING

- Do not begin to install your Peerless product until you have read and understood the instructions and warnings contained in this Installation Sheet. If you have any questions regarding any of the instructions or warnings, please call Peerless customer care at 1-800-865-2112.
- This product should only be installed by someone of good mechanical aptitude, has experience with basic building construction, and fully understands these instructions.
- Make sure that the supporting surface will safely support the combined load of the equipment and all attached hardware and components.
- Never exceed the Maximum UL Load Capacity. See page 1.
- If mounting to wood wall/ceiling studs, make sure that mounting screws are anchored into the center of the studs. Use of an "edge to edge" stud finder is highly recommended.
- Always use an assistant or mechanical lifting equipment to safely lift and position equipment.
- Tighten screws firmly, but do not overtighten. Overtightening can damage the items, greatly reducing their holding power.
- This product is intended for indoor use only. Use of this product outdoors could lead to product failure and personal injury.
- This product was designed and intended to be mounted to the following supporting surfaces checked below with the hardware included in this product as specified in the installation sheet. To mount this product to an alternative supporting surface, contact Peerless customer care at 1 800 865-2112.
- This product was designed to be installed on the following wall/ceiling construction only;

WALL/CEILING CONSTRUCTION ADDITIONAL HARDWARE REQUIRED

<input checked="" type="checkbox"/> Wood Stud	None
<input checked="" type="checkbox"/> Wood Joist	None
<input checked="" type="checkbox"/> Solid Concrete	None
<input checked="" type="checkbox"/> Cinder Block	None
<input type="checkbox"/> Metal Stud	Contact Customer Service
<input type="checkbox"/> Brick	Contact Customer Service
<input type="checkbox"/> Other or unsure?	Contact Customer Service

Tools Needed for Assembly

- stud finder ("edge to edge" stud finder is recommended)
- drill
- 1/4" bit for concrete and cinder block wall
- 5/32" bit for wood stud or joist
- level

Table of Contents

Parts List.....	3, 4
Install Outer Channel to Ceiling Plate	4
Installation to Wood Joist Ceiling or Wood Stud Wall.....	5
Installation to Solid Concrete Ceiling or Concrete/Cinder Block Walls.....	6
Installing Inner Channel and Routing Cables	7
Attaching Adapter Plate to Projector Mount.....	7-10
Adjusting Mount Extension.....	10
Install Cable Covers	11
Projector Alignment	11

Before you begin, make sure all parts shown are included with your product.

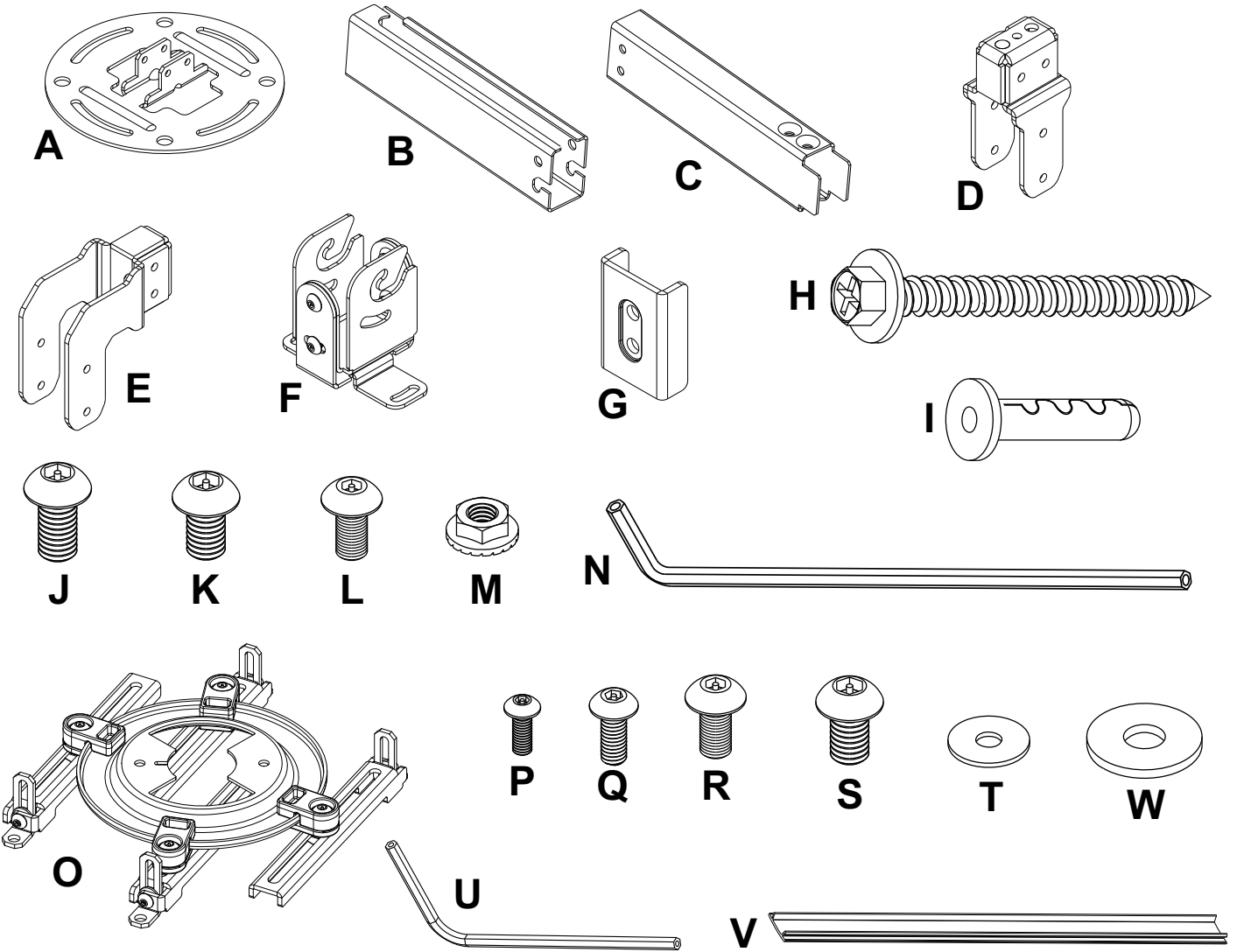
Parts List							
Description	Qty.	PPA, PPB Part #	PPA-S, PPB-S Part #	PPA-W, PPB-W Part #	PPC Part #	PPC-S Part #	PPC-W Part #
A ceiling plate	1	055-1773	055-4773	055-2773	055-1773	055-4773	055-2773
B outer channel	1	SEE CHART	SEE CHART	SEE CHART	SEE CHART	SEE CHART	SEE CHART
C inner channel	1	SEE CHART	SEE CHART	SEE CHART	SEE CHART	SEE CHART	SEE CHART
D vertical hanger bracket	1	055-1781	055-4781	055-2781	055-1781	055-4781	055-2781
E horizontal hanger bracket	1	055-1794	055-4794	055-2794	N/A	N/A	N/A
F pivot/roll bracket	1	055-1810	055-4810	055-2810	055-1810	055-4810	055-2810
G clamp plate	1	055-1771	055-4771	055-2771	055-1771	055-4771	055-2771
H #14 x 2.5 wood screw	2	5S1-015-C03	5S1-015-C04	5S1-015-C04	5S1-015-C03	5S1-015-C04	5S1-015-C04
I Alligator® concrete anchor	2	590-0097	590-0097	590-0097	590-0097	590-0097	590-0097
J M6 x 12 mm socket pin screw	2	520-1050	520-2050	520-2050	520-1050	520-2050	520-2050
K M6 x 10 mm socket pin screw	4	520-1066	520-2066	520-2066	520-1066	520-2066	520-2066
L M5 x 10 mm socket pin screw	10	520-1063	520-2063	520-2063	520-1063	520-2063	520-2063
M serrated locknut	2	530-1027	530-2042	530-2042	530-1027	530-2042	530-2042
N 4 mm security allen wrench	1	560-9646	560-9646	560-9646	560-9646	560-9646	560-9646
O universal adapter plate	1	055-1867	055-4867	055-2867	055-1867	055-4867	055-2867
P M3 x 8 mm socket pin screw	4	520-1168	520-2168	520-2168	520-1168	520-2168	520-2168
Q M4 x 10 mm socket pin screw	4	520-1060	520-2060	520-2060	520-1060	520-2060	520-2060
R M5 x 10 mm socket pin screw	4	520-1063	520-2063	520-2063	520-1063	520-2063	520-2063
S M6 x 10 mm socket pin screw	4	520-1066	520-2066	520-2066	520-1066	520-2066	520-2066
T washer .16" ID x .5" OD	4	540-1025	540-2025	540-2025	540-1025	540-2025	540-2025
U 2 mm security allen wrench	1	560-1097	560-1097	560-1097	560-1097	560-1097	560-1097
V cable cover	2	SEE CHART	SEE CHART	SEE CHART	SEE CHART	SEE CHART	SEE CHART
W washer 6.5 mm ID x 17.8 mm OD	2	540-1078	540-2078	540-2078	540-1078	540-2078	540-2078

OUTER CHANNEL, INNER CHANNEL AND CABLE COVER PART NUMBER CHART

Model#	extendable length	outer channel (B) part#	inner channel (C) part#	cable cover (V) part#
PPA	12.75" - 17.78"	055-1779	055-1778	055-1809-2
PPA-S	12.75" - 17.78"	055-4779	055-4778	055-4809-2
PPA-W	12.75" - 17.78"	055-2779	055-2778	055-2809-2
PPB	16.75" - 25.68"	055-1776	055-1775	055-1809-1
PPB-S	16.75" - 25.68"	055-4776	055-4775	055-4809-1
PPB-W	16.75" - 25.68"	055-2776	055-2775	055-2809-1
PPC	23.2" - 37.89"	055-1770	055-1769	055-1809
PPC-S	23.2" - 37.89"	055-4770	055-4769	055-4809
PPC-W	23.2" - 37.89"	055-2770	055-2769	055-2809

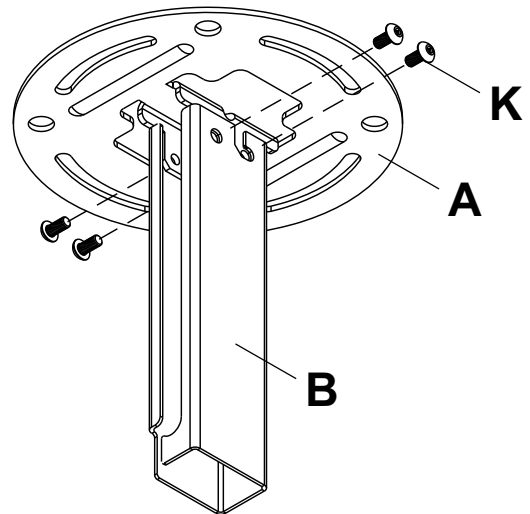
Part List Continued

Parts may appear slightly different than illustrated.



Install Outer Channel to Ceiling Plate

- 1 Attach outer channel (B) to ceiling plate (A) using four M6 x 10 mm socket pin screws (K) as shown.



Installation to Wood Joist Ceilings or Wood Stud Walls

⚠ WARNING

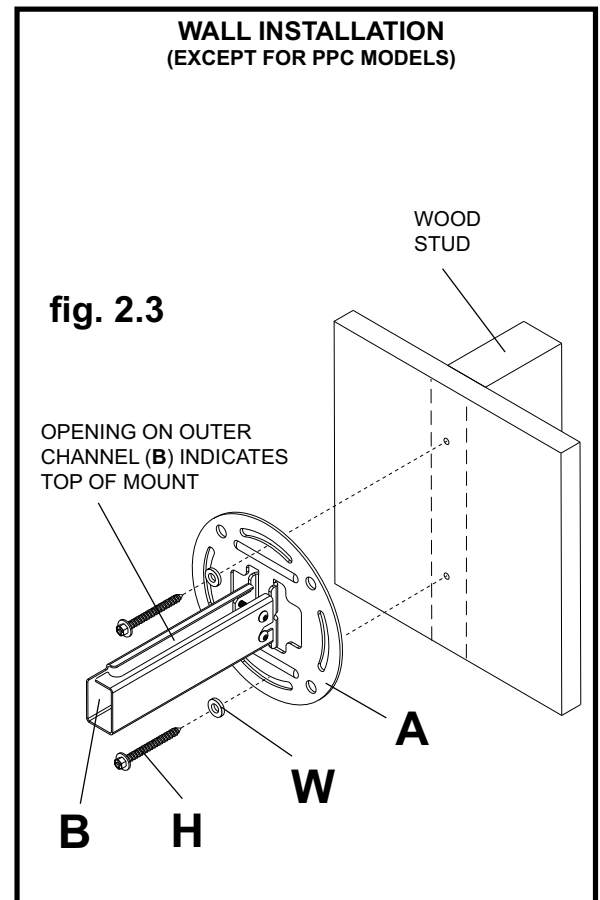
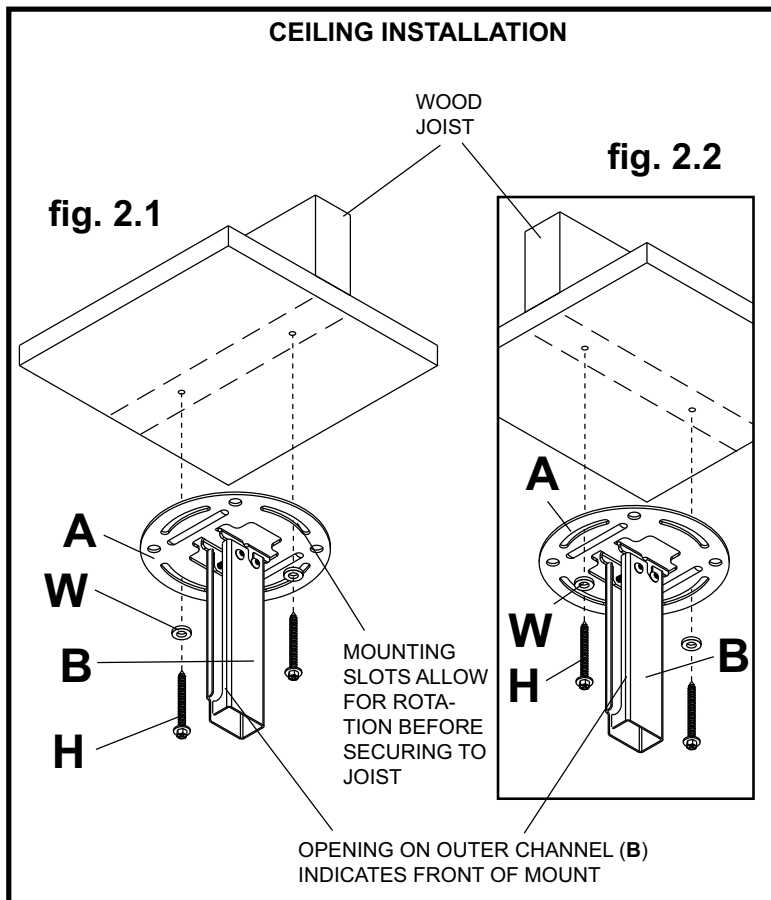
- Installer must verify that the supporting surface will safely support the combined load of the equipment and all attached hardware and components.
- Tighten wood screws so that ceiling/wall plate is firmly attached, but do not overtighten. Overtightening can damage the screws, greatly reducing their holding power.
- Never tighten in excess of 80 in. • lb (9 N.M.).
- Make sure that mounting screws are anchored into the center of the stud or joist. The use of an "edge to edge" stud finder is highly recommended.
- Hardware provided is for attachment of mount through standard thickness drywall or plaster into wood studs or joists. Installers are responsible to provide hardware for other types of mounting situations (not UL approved).

2 **NOTE: Wall installation with models PPC, PPC-S and PPC-W is not available.**
 Use a stud finder to locate the edges of the stud or joist. Use of an edge-to-edge stud finder is highly recommended. Based on its edges, draw a vertical line down the stud's or joist's center. Place ceiling/wall plate (A) on wall or ceiling as a template, making sure that the two mounting slots are on the centerline.

For ceiling installation: Opening on outer channel (B) indicates front of mount. Use the correct mounting slots on the ceiling/wall plate depending on ceiling joist orientation as shown in figure 2.1 and figure 2.2. Mounting slots on ceiling plate allow for 45° (±22.5) of swivel adjustment before securing to joist.

For wall installation: Opening on outer channel (B) indicates top of mount.

Mark the center of the two mounting holes. Drill two 5/32" (4 mm) dia. holes 2-1/2" (65 mm) deep. Secure ceiling/wall plate (A) to wood stud or joist using two #14 x 2-1/2" wood screws (H) and washers (W) as shown.



Installation to Concrete Ceilings or Concrete/Cinder Block Walls

⚠ WARNING

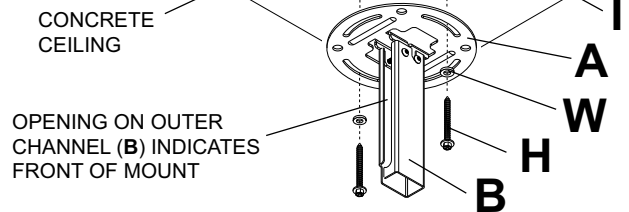
- When installing Peerless wall mounts on cinder block, verify that you have a minimum of 1-3/8" of actual concrete thickness in the hole to be used for the concrete anchors. Do not drill into mortar joints! Be sure to mount in a solid part of the block, generally 1" minimum from the side of the block. Cinder block must meet ASTM C-90 specifications. It is suggested that a standard electric drill on slow setting is used to drill the hole instead of a hammer drill to avoid breaking out the back of the hole when entering a void or cavity.
- Concrete must be 2000 psi density minimum. Lighter density concrete may not hold concrete anchor.
- Installer must verify that the supporting surface will safely support the combined load of the equipment and all attached hardware and components.

2 NOTE: Wall installation with models PPC, PPC-S and PPC-W is not available.

Place ceiling/wall plate (A) on ceiling or wall as a template. **Note:** Place ceiling/wall plate according to position of opening in outer channel (B) as shown in figure 2.4. or figure 2.5. Drill two 1/4" (6 mm) dia. holes to a minimum depth of 2.5" (64 mm). Attach ceiling/wall plate using two concrete anchors (I), two washers (W) and two #14 x 2.5" wood screws (H) as shown in figure 2.6. Tighten wood screws until ceiling/wall plate is firmly attached.

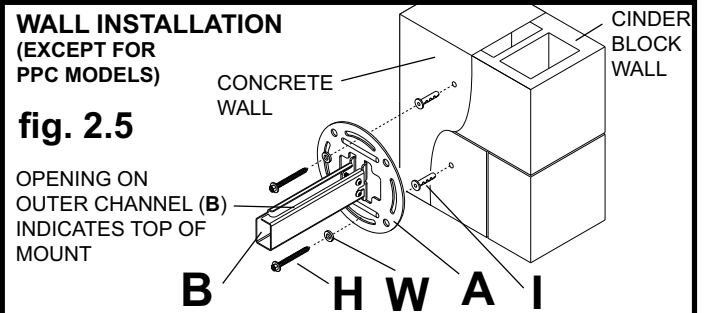
CEILING INSTALLATION

fig. 2.4



WALL INSTALLATION (EXCEPT FOR PPC MODELS)

fig. 2.5



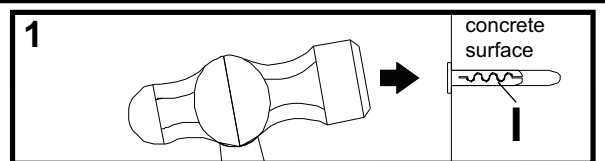
⚠ WARNING

- Tighten wood screws firmly, but do not overtighten. Overtightening can damage the screws, greatly reducing their holding power.
- Never tighten in excess of 80 in • lb (9 N.M.).

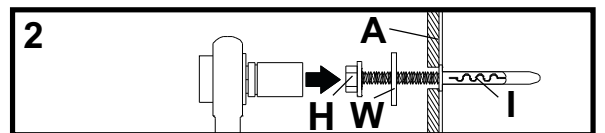
⚠ WARNING

- Always attach concrete expansion anchors directly to load-bearing concrete.
- Never attach concrete expansion anchors to concrete covered with plaster, drywall, or other finishing material. If mounting to concrete surfaces covered with a finishing surface is unavoidable, the finishing surface must be counterbored as shown below. Be sure concrete anchors do not pull away from concrete when tightening screws. If plaster/drywall is thicker than 5/8" (16 mm), custom fasteners must be supplied by installer (not UL approved).

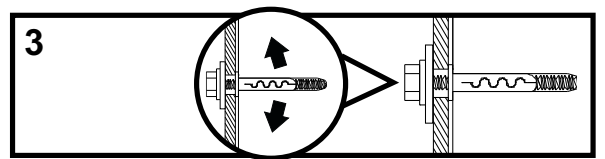
fig. 2.6



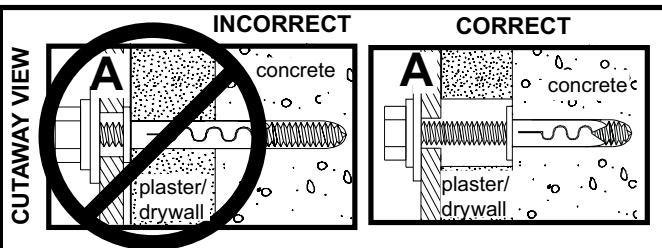
Drill holes and insert anchors (I).



Place plate (A) over anchors (I) and secure with washers (W) and screws (H).



Tighten all fasteners.

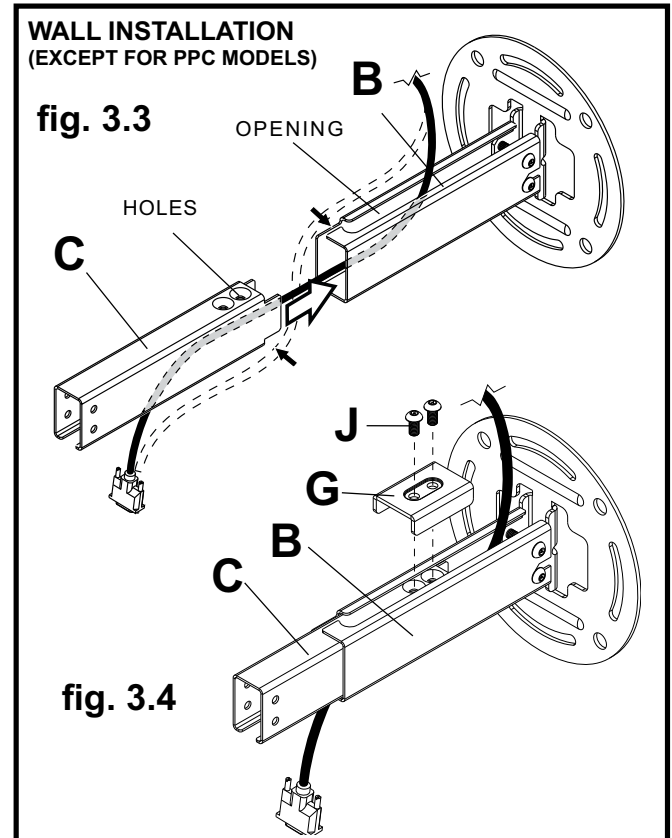
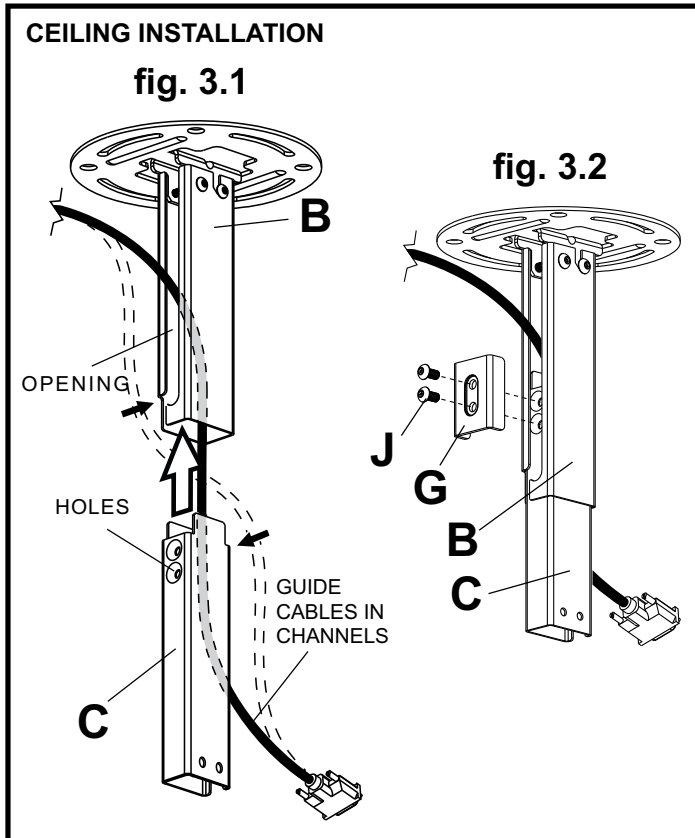


Installing Inner Channel and Routing Cables

- 3** **Note:** Be certain holes on inner channel (C) face in the same direction of opening on outer channel (B).
Note: Cables must be removed from projector before routing through channels. If cables are not removable from projector, routing through channels is not an option.

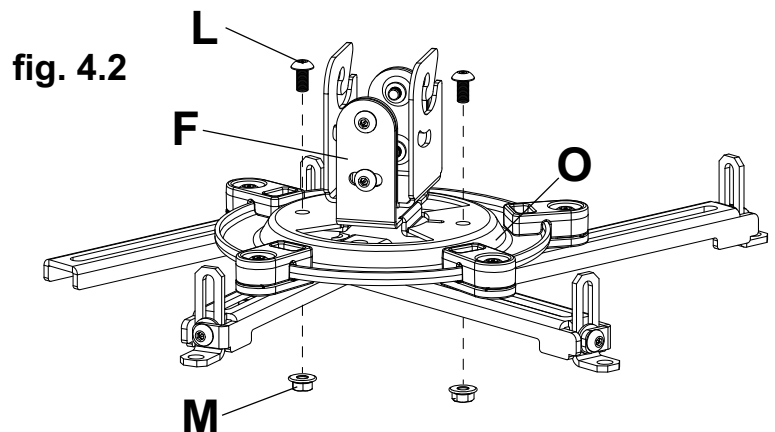
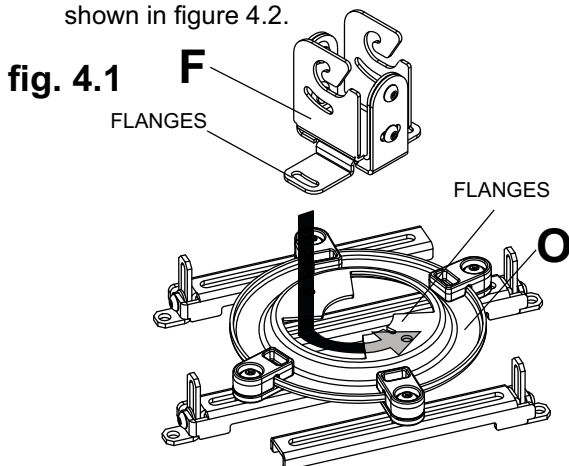
Guide projector cables into openings in channels then insert inner channel (C) into outer channel (B) as shown in figure 3.1 or 3.3.

Position inner channel (C) to the desired extended position and secure using two M6 x 12 mm socket pin screws (J) through clamp plate (G), through opening in outer channel (B) and into inner channel (C) as shown in figure 3.2 or 3.4.



Attaching Adapter Plate to Projector Mount

- 4** Guide flanges of pivot/roll bracket (F) under flanges of adapter plate (O) by rotating 90° as shown in figure 4.1.
 Secure pivot/roll bracket (F) to adapter plate (O) by using two M5 x 10 mm screws (L) and two locknuts (M) as shown in figure 4.2.



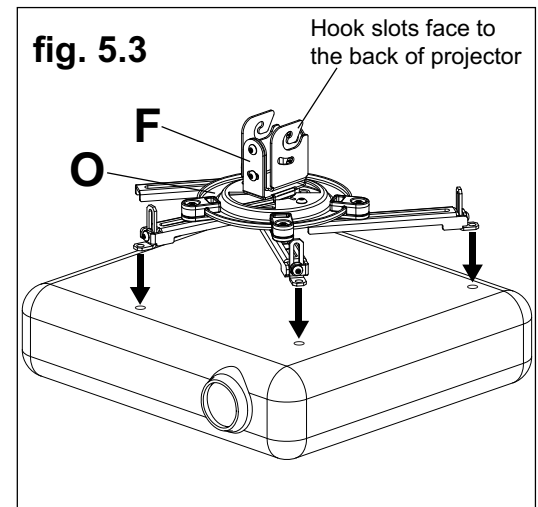
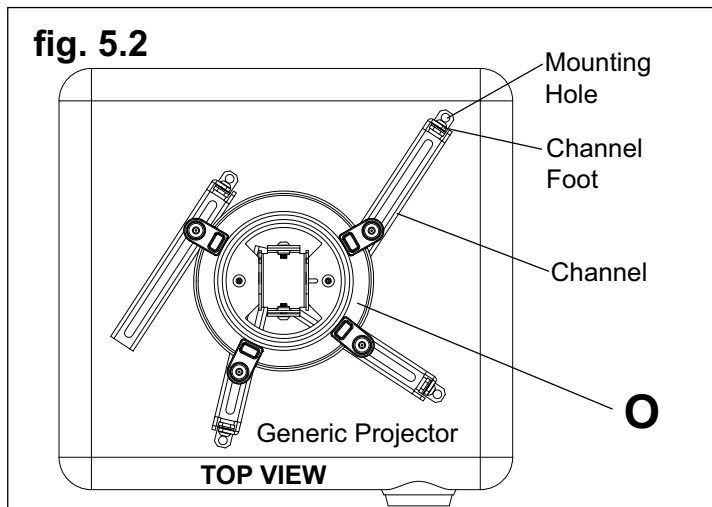
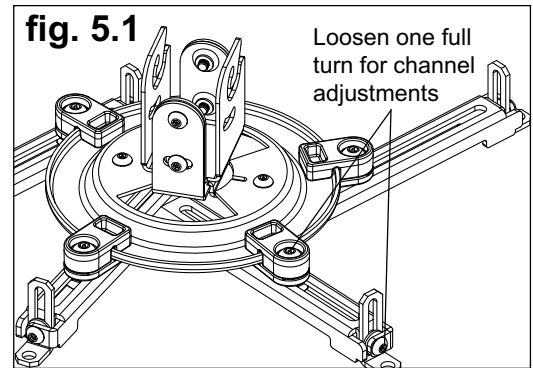
Attaching Adapter Plate to Projector Mount (continued)

- 5** Using 4 mm security allen wrench (N), loosen the eight screws on adapter plate (O) (shown in figure 5.1) one full turn to allow for adjustments of channels.

Place projector upside down and locate mounting holes. **If there are only three mounting holes remove fourth channel from adapter plate.** Center adapter plate (O) over the center of gravity of the projector while aligning mounting holes on channel feet with mounting holes on projector as shown in figure 5.2 and figure 5.3.

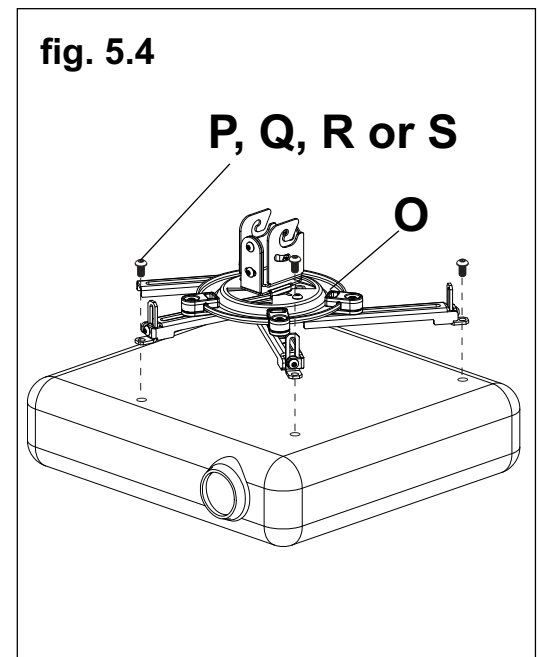
Note: Be certain hook slots of pivot/roll bracket (F) face to the back of the projector as shown in figure 5.3.

Important: If projector does not have at least three mounting holes, do not use this adapter plate.



- 5-1** Attach adapter plate (O) to projector using one screw (P, Q, R or S) for each channel as shown in figure 5.4. Tighten all screws, while keeping the adapter plate centered. Be sure that adapter plate and pivot/roll bracket (F) are in the correct position. Adjust the feet of the channels to keep the adapter plate level. Tighten all screws with 4 mm security allen wrench (N) while keeping the center of gravity. If M3 screws (P) are used, tighten using 2 mm security allen wrench (U).

Note: Projectors will require different size screws for mounting. Use a combination of screws (P, Q, R or S) and foot adjustment that will result in channels of adapter plate (O) fitting tightly against projector. **Important:** In order to properly engage the threads in the mounting holes, the screw must be turned at least 3 full turns. **Note:** If using screw (P), place washer (T) between screw and foot of channel.



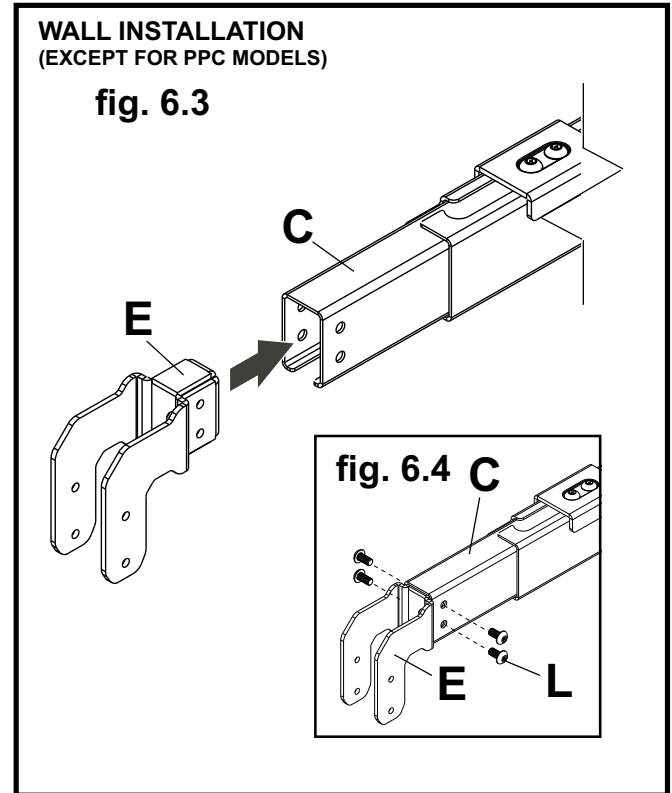
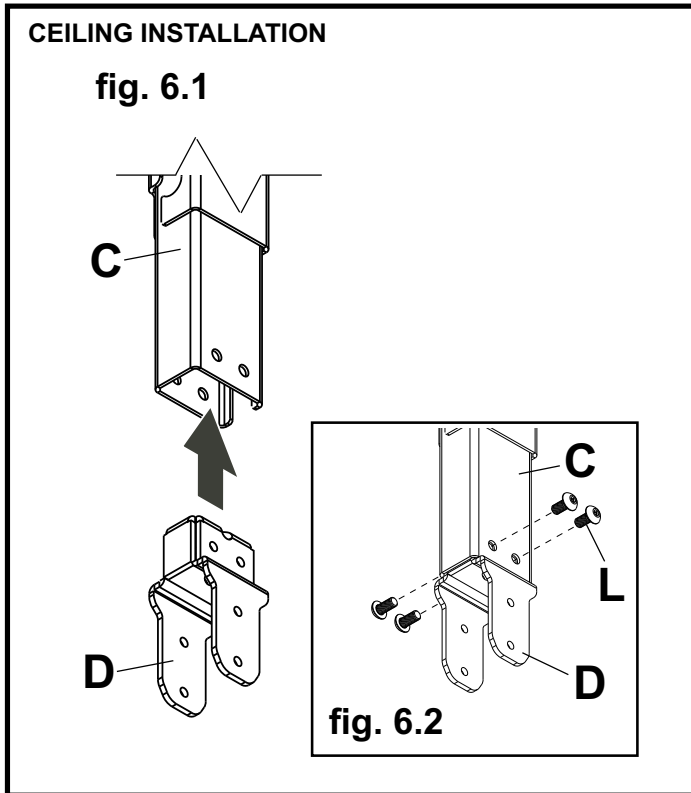
CAUTION

- It is the responsibility of the installer to ensure that the projector is properly ventilated. Feet of channels are used to raise the mount off the projector surface.

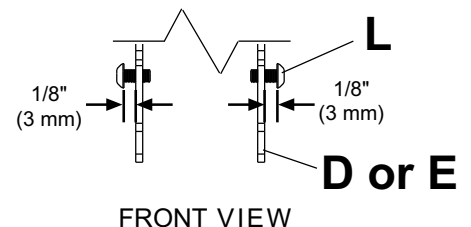
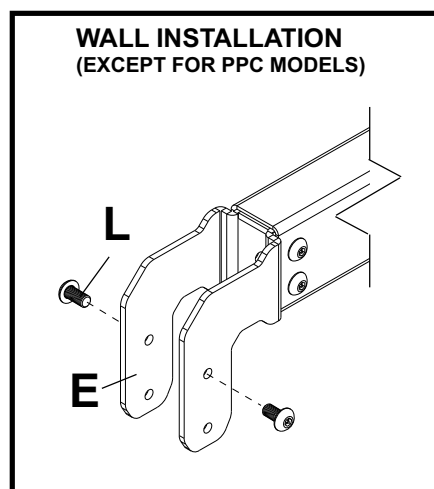
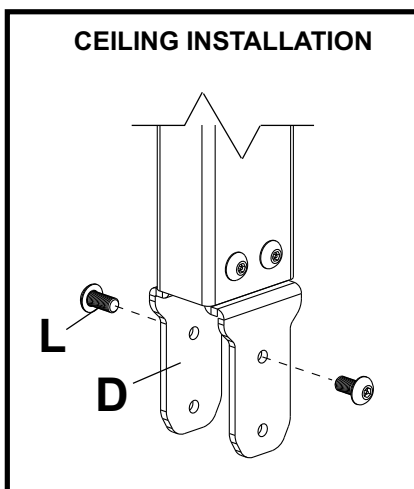
Attaching Adapter Plate to Projector Mount (continued)

- 6** Insert vertical hanger bracket (**D**) into inner channel (**C**) as shown in figure 6.1 for ceiling installations, or insert horizontal hanger bracket (**E**) into inner channel (**C**) as shown in figure 6.3 for wall installations. Secure hanger bracket (**D** or **E**) to inner channel (**C**) using four M5 x 10 mm socket pin screws (**L**) as shown in figure 6.2 or figure 6.4.

CABLES NOT SHOWN FOR CLARITY



- 7** Thread two M5 x 10 mm screws (**L**) into top holes of hanger bracket (**D** or **E**), leaving 1/8" (3 mm) exposed thread between head of screw and hanger bracket as shown.



Attaching Adapter Plate to Projector Mount (continued)

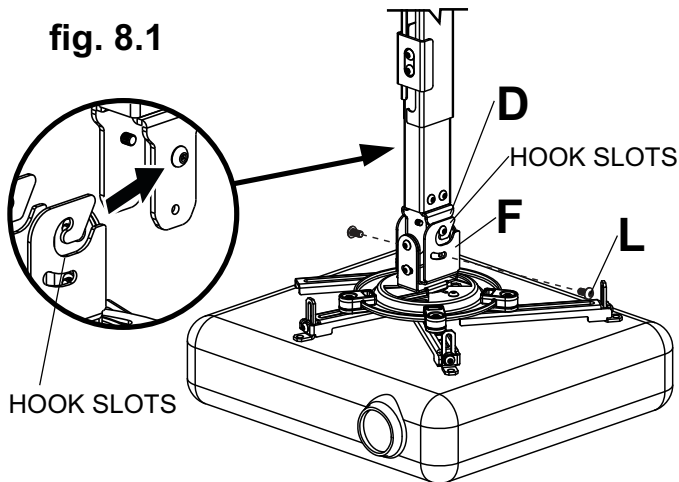
- 8** Guide hook slots of pivot/roll bracket (F) onto M5 x 10 mm screws in hanger bracket (D or E) as shown in figure 8.1 for ceiling installation or figure 8.2 for wall installation. Fasten two socket pin screws (L) through slot in pivot/roll bracket (F) and into hanger bracket (D or E).

⚠ WARNING

- Do not lift more weight than you can handle. Use additional man power or mechanical lifting equipment to safely handle placement of the projector.

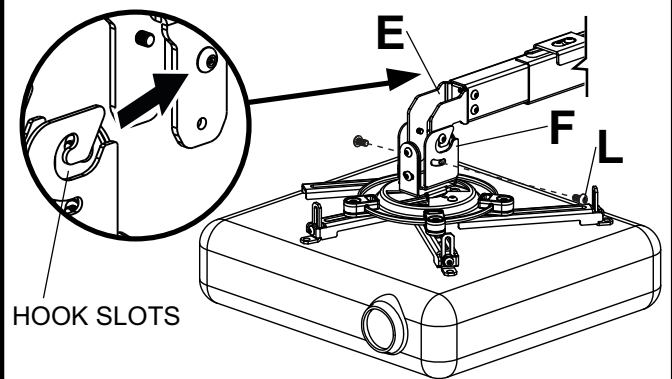
CEILING INSTALLATION

fig. 8.1



WALL INSTALLATION (EXCEPT FOR PPC MODELS)

fig. 8.2



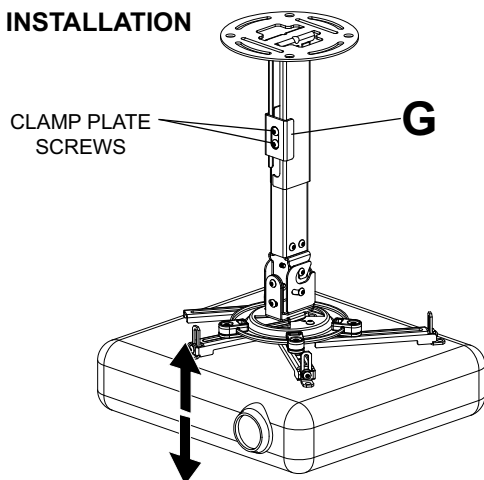
Adjusting Mount Extension

- 9** While supporting the weight of the projector, loosen screws on clamp plate (G) half a turn and position projector to the desired extended position. Retighten clamp plate screws securely.

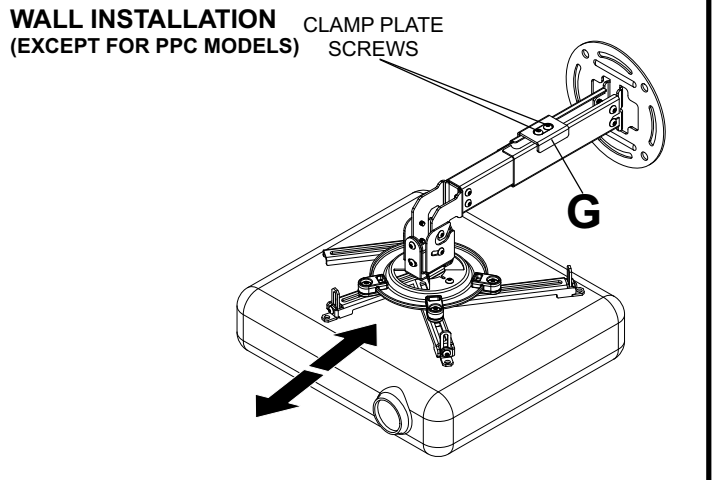
⚠ WARNING

- On ceiling installations, clamp plate adjustment screws support weight of projector when fully tightened. Weight of the projector will need to be supported if clamp plate screws are loosened.

CEILING INSTALLATION



WALL INSTALLATION (EXCEPT FOR PPC MODELS)



Install Cable Covers

- 10** Cut cable covers (V) to the length of inner channel (C) and outer channel (B) openings, leaving space for cables if routed through channels. Snap cable covers into openings as shown.

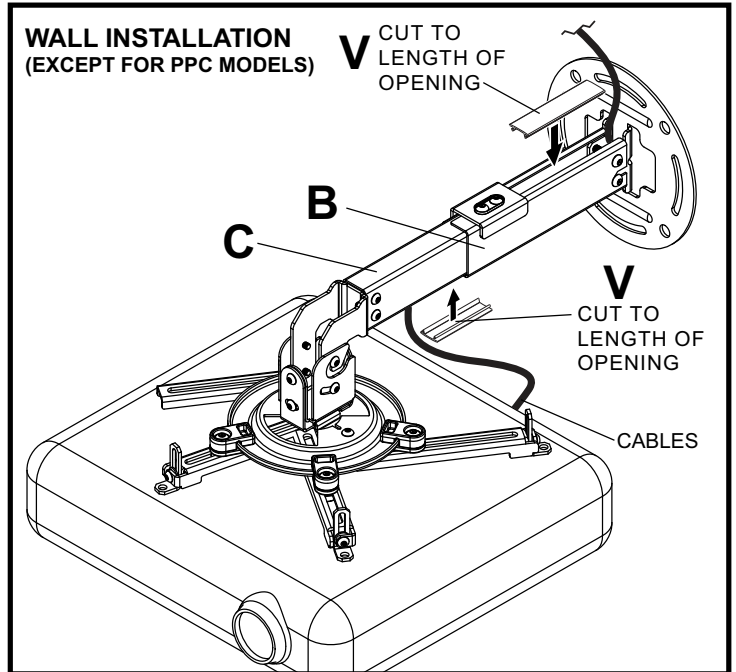
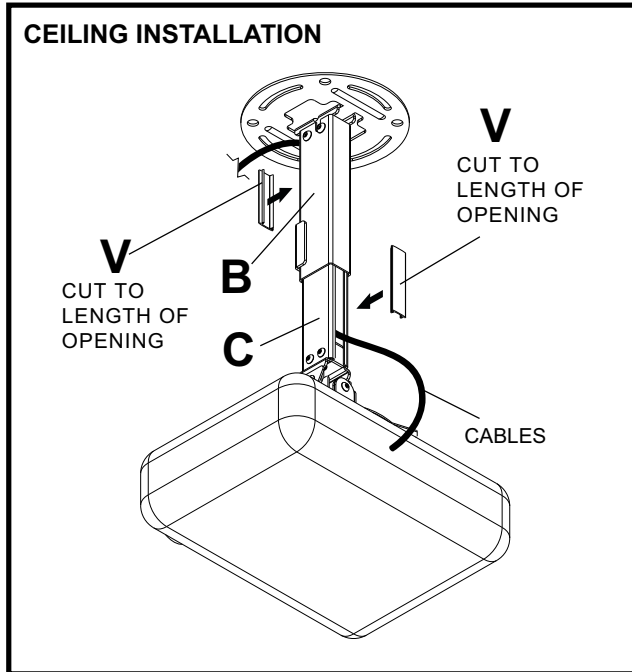


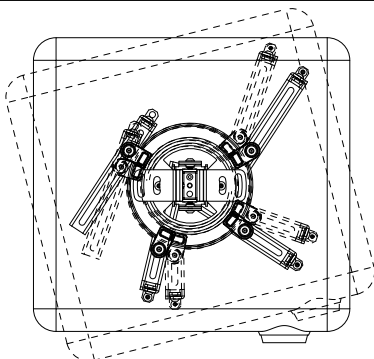
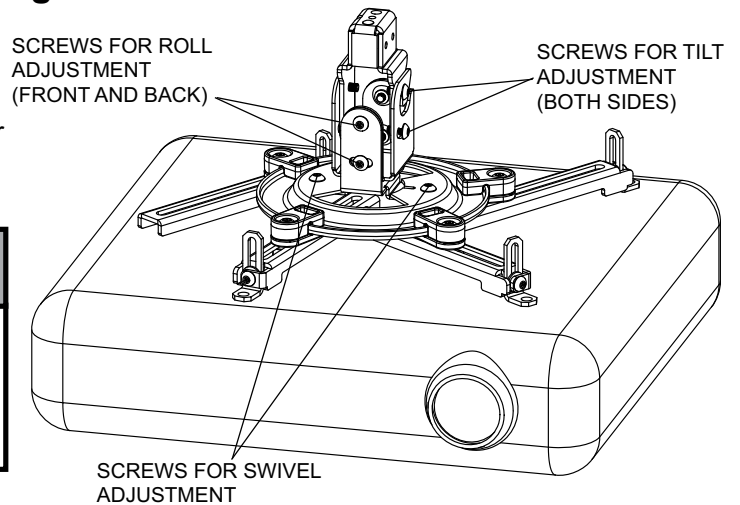
fig. 11.1

Projector Alignment

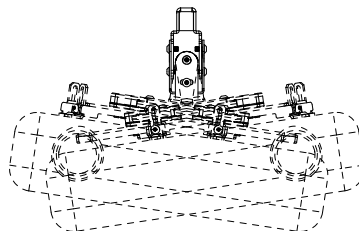
- 11** If screws indicated in figure 11.1 are fully tightened, loosen screws half a turn using allen wrench (N) to allow for adjusting tilt, swivel and roll. Align projector to the desired position and fully tighten screws.

⚠ WARNING

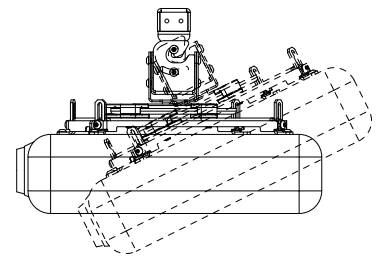
- Do not loosen adjustment screws to the point they become disengaged from the mount. Weight of the projector should be supported in case of accidental disengagement.



20° (±10°) SWIVEL
SWIVEL ADJUSTMENT
TOP VIEW



20° (±10°) ROLL
ROLL ADJUSTMENT
FRONT VIEW



35° (+30°/-5°) TILT
TILT ADJUSTMENT
SIDE VIEW

PARAMOUNTTM by Peerless

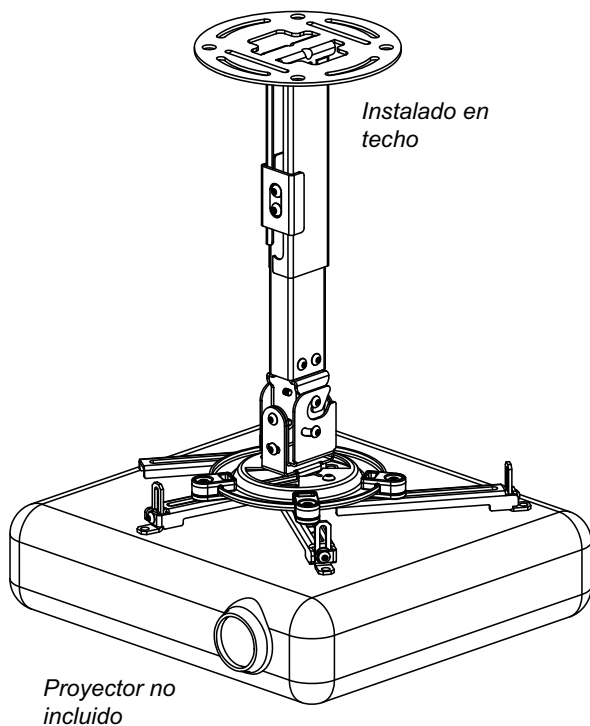
Instalación y ensamblaje: Soporte de techo o pared para proyectores ParamountTM

Modelos: PPA, PPA-S, PPA-W, PPB, PPB-S, PPB-W, PPC, PPC-S, PPC-W,

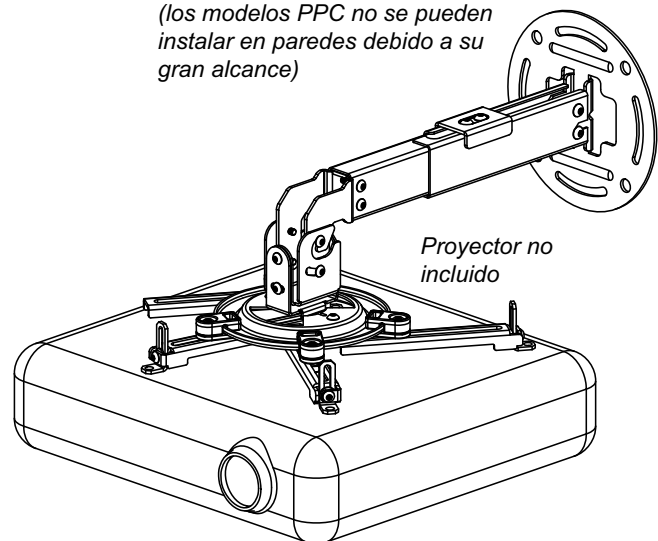


Este producto debe ser utilizado con productos que lleven la marca UL (Underwrites Laboratory) y tiene que ser instalado por un instalador profesional calificado.

Capacidad máxima de soportar carga según UL:
50 lb (22.7 kg)



Instalado en pared,
modelos PPA y PPB solamente
(los modelos PPC no se pueden
instalar en paredes debido a su
gran alcance)



Características:

- Diseño continuo del riel para ofrecer una longitud ininterrumpida de la caída o para poder ajustar la extensión desde la pared
- Varios ajustes de la altura para ofrecer posiciones ideales para la proyección
- 360° de ajuste al instalar
- Manejo de cables interno
- Dispositivo asegurador de diseño integrado a los rieles de extensión para garantizar la seguridad del usuario y del equipo
- Ofrece una gama completa de ajustes de la imagen: Inclinación: +30/-5°, Rotación: ±20°, Giro: 360° de ajuste al instalar (±20° en el soporte)
- La placa adaptadora universal Spider® se extiende de 7.1" a 16.55" para sostener casi todos los modelos de proyectores

Nota: Lea la hoja de instrucciones completa antes de comenzar la instalación y el ensamblaje.

▲ ADVERTENCIA

- No comience a instalar su producto de Peerless hasta haber leído y entendido las instrucciones y las advertencias contenidas en la Hoja de Instalación. Si tiene alguna pregunta acerca de cualquiera de las instrucciones o las advertencias, por favor, llame a Servicio al Cliente de Peerless al 1-800-865-2112.
- Este producto sólo debe ser instalado por una persona que tenga una buena aptitud mecánica, que tenga experiencia en construcción básica de edificios y que entienda estas instrucciones en su totalidad.
- Asegúrese de que la superficie de apoyo sostendrá, con seguridad, la carga combinada del equipo y todos los fijadores y componentes.
- Nunca exceda la Capacidad Máxima de Carga de UL.
- Si va a instalar el producto en una pared o en un techo con montantes de madera, asegúrese de que los tornillos de montaje estén anclados en el centro de los montantes. Se recomienda utilizar un localizador de montantes de "borde a borde".
- Siempre cuente con la ayuda de un asistente o utilice un equipo mecánico de izar para levantar y colocar el equipo con seguridad.
- Apriete los tornillos con firmeza, pero no en exceso. Apretarlos en exceso puede dañar los artículos y puede disminuir significativamente su fuerza de fijación.
- Este producto está diseñado para uso en interiores solamente. Utilizar este producto en exteriores podría causar fallas del producto y lesiones a individuos.
- Este producto fue diseñado con la intención de que se instale en las superficies de apoyo marcadas abajo con los accesorios de instalación incluidos en este producto como se especifica en la hoja de instalación. Para instalar este producto en otra superficie de apoyo, llame a Servicio al Cliente de Peerless al 1-800-865-2112.
- Este producto fue diseñado para ser instalado en paredes con la siguiente construcción solamente:

CONSTRUCCIÓN DE LA PARED O DEL TECHO

- | | |
|-------------------------------------|------------------------------------|
| <input checked="" type="checkbox"/> | Montante de madera |
| <input checked="" type="checkbox"/> | Viga de madera |
| <input checked="" type="checkbox"/> | Concreto macizo |
| <input checked="" type="checkbox"/> | Bloque de hormigón de escorias |
| <input type="checkbox"/> | Montante de metal |
| <input type="checkbox"/> | Ladrillo |
| <input type="checkbox"/> | ¿Otra superficie o no está seguro? |

ACCESORIOS ADICIONALES NECESARIOS

- | |
|--------------------------------------|
| Ninguno |
| Ninguno |
| Ninguno |
| Ninguno |
| Comuníquese con Servicio al Cliente. |
| Comuníquese con Servicio al Cliente. |
| Comuníquese con Servicio al Cliente. |

Herramientas necesarias para el ensamblaje

- localizador de montantes (se recomienda uno de "borde a borde")
- taladro
- broca de 1/4" para paredes de concreto y de bloque de hormigón de escorias
- broca de 5/32" para montantes o vigas de madera
- nivel

Tabla de contenido

Lista de piezas.....	14, 15
Instalación del riel exterior a la placa de techo.....	15
Instalación en un techo con vigas de madera o en una pared con montantes de madera	16
Instalación en un techo de concreto o en una pared de concreto o de bloques de hormigón de escorias.....	17
Instalación del riel interior y colocación de los cables.....	18
Fijar la placa adaptadora al soporte para proyectores	18-21
Ajuste de la extensión del soporte.....	21
Instalación de las cubiertas para los cables	22
Alinear el proyector.....	22

Antes de comenzar, asegúrese de que su producto contiene todas las piezas que se muestran.

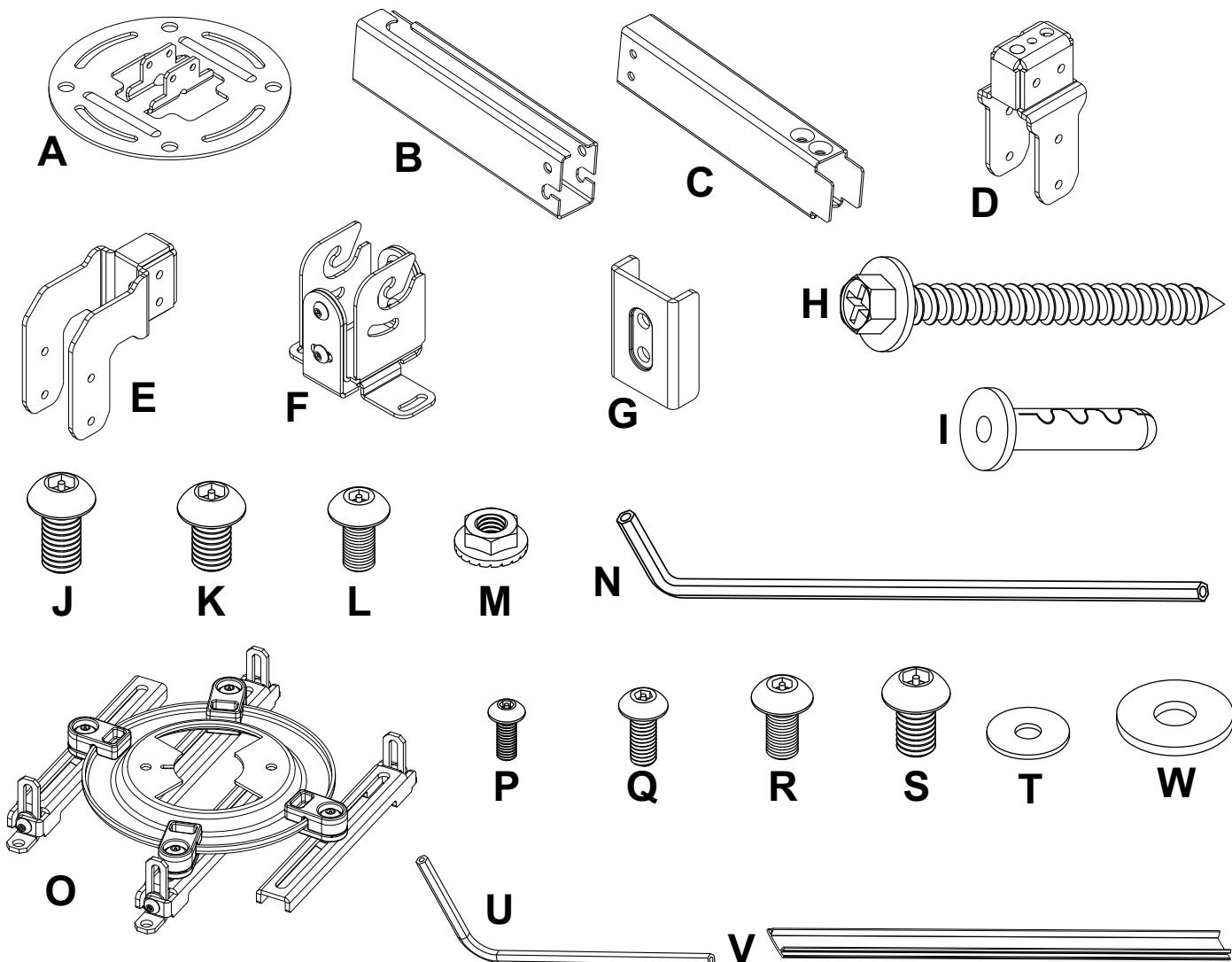
Lista de piezas		N.º de pieza PPA, PPB	N.º de pieza PPA-S, PPB-S	N.º de pieza PPA-W, PPB-W	N.º de pieza PPC	N.º de pieza PPC-S	N.º de pieza PPC-W
Descripción	Cantidad						
A placa de techo	1	055-1773	055-4773	055-2773	055-1773	055-4773	055-2773
B riel exterior	1	VEA LA TABLA	VEA LA TABLA	VEA LA TABLA	VEA LA TABLA	VEA LA TABLA	VEA LA TABLA
C riel interior	1	VEA LA TABLA	VEA LA TABLA	VEA LA TABLA	VEA LA TABLA	VEA LA TABLA	VEA LA TABLA
D soporte vertical de gancho	1	055-1781	055-4781	055-2781	055-1781	055-4781	055-2781
E soporte horizontal de gancho	1	055-1794	055-4794	055-2794	N/A	N/A	N/A
F soporte giratorio / rotatorio	1	055-1810	055-4810	055-2810	055-1810	055-4810	055-2810
G placa abrazadera	1	055-1771	055-4771	055-2771	055-1771	055-4771	055-2771
H tornillo para madera de 14 x 2.5"	2	5S1-015-C03	5S1-015-C04	5S1-015-C04	5S1-015-C03	5S1-015-C04	5S1-015-C04
I Anclaje para concreto alligator®	2	590-0097	590-0097	590-0097	590-0097	590-0097	590-0097
J tornillo pasador de cabeza hueca de M6 x 12 mm	2	520-1050	520-2050	520-2050	520-1050	520-2050	520-2050
K tornillo pasador de cabeza hueca de M6 x 10 mm	4	520-1066	520-2066	520-2066	520-1066	520-2066	520-2066
L tornillo pasador de cabeza hueca de M5 x 10 mm	10	520-1063	520-2063	520-2063	520-1063	520-2063	520-2063
M contratuerca dentada	2	530-1027	530-2042	530-2042	530-1027	530-2042	530-2042
N llave allen de seguridad de 4 mm	1	560-9646	560-9646	560-9646	560-9646	560-9646	560-9646
O placa adaptadora universal	1	055-1867	055-4867	055-2867	055-1867	055-4867	055-2867
P tornillo pasador de cabeza hueca de M3 x 8 mm	4	520-1168	520-2168	520-2168	520-1168	520-2168	520-2168
Q tornillo pasador de cabeza hueca de M4 x 10 mm	4	520-1060	520-2060	520-2060	520-1060	520-2060	520-2060
R tornillo pasador de cabeza hueca de M5 x 10 mm	4	520-1063	520-2063	520-2063	520-1063	520-2063	520-2063
S tornillo pasador de cabeza hueca de M6 x 10 mm	4	520-1066	520-2066	520-2066	520-1066	520-2066	520-2066
T arandela .16" ID x .5" OD	4	540-1025	540-2025	540-2025	540-1025	540-2025	540-2025
U llave allen de seguridad de 2 mm	1	560-1097	560-1097	560-1097	560-1097	560-1097	560-1097
V cubierta para los cables	2	VEA LA TABLA	VEA LA TABLA	VEA LA TABLA	VEA LA TABLA	VEA LA TABLA	VEA LA TABLA
W arandela 6.5 mm ID x 17.8 mm OD	2	540-1078	540-2078	540-2078	540-1078	540-2078	540-2078

TABLA DE NÚMEROS DE PIEZA DEL RIEL EXTERIOR, EL RIEL INTERIOR Y LA CUBIERTA PARA LOS CABLES

N.º de modelo	Longitud alargable	N.º de pieza del riel exterior (B)	N.º de pieza del riel interior (C)	N.º de pieza de la cubierta para los cables (V)
PPA	12.75" - 17.78"	055-1779	055-1778	055-1809-2
PPA-S	12.75" - 17.78"	055-4779	055-4778	055-4809-2
PPA-W	12.75" - 17.78"	055-2779	055-2778	055-2809-2
PPB	16.75" - 25.68"	055-1776	055-1775	055-1809-1
PPB-S	16.75" - 25.68"	055-4776	055-4775	055-4809-1
PPB-W	16.75" - 25.68"	055-2776	055-2775	055-2809-1
PPC	23.2" - 37.89"	055-1770	055-1769	055-1809
PPC-S	23.2" - 37.89"	055-4770	055-4769	055-4809
PPC-W	23.2" - 37.89"	055-2770	055-2769	055-2809

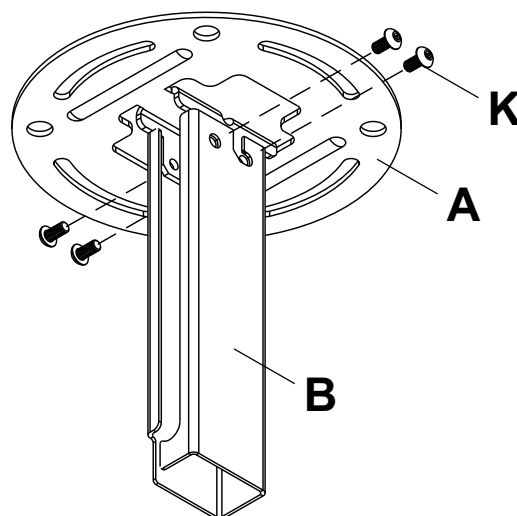
Lista de piezas - continuación

Las piezas pueden verse un poco distintas a la ilustración.



Instalación del riel exterior a la placa de techo

- 1 Fije el riel exterior (B) a la placa de techo (A) usando cuatro tornillos pasadores de cabeza hueca de M6 x 10 mm (K), como se muestra.



Instalación en un techo con vigas de madera o en una pared con montantes de madera

⚠ ADVERTENCIA

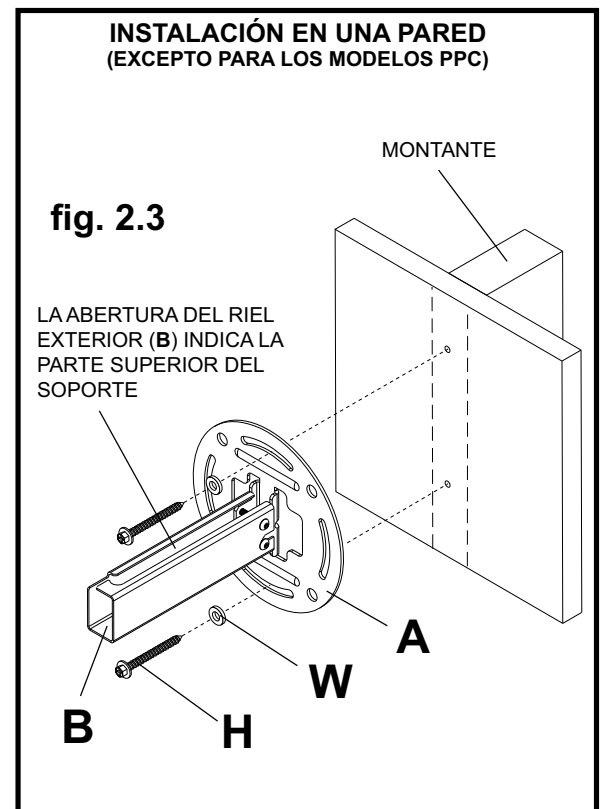
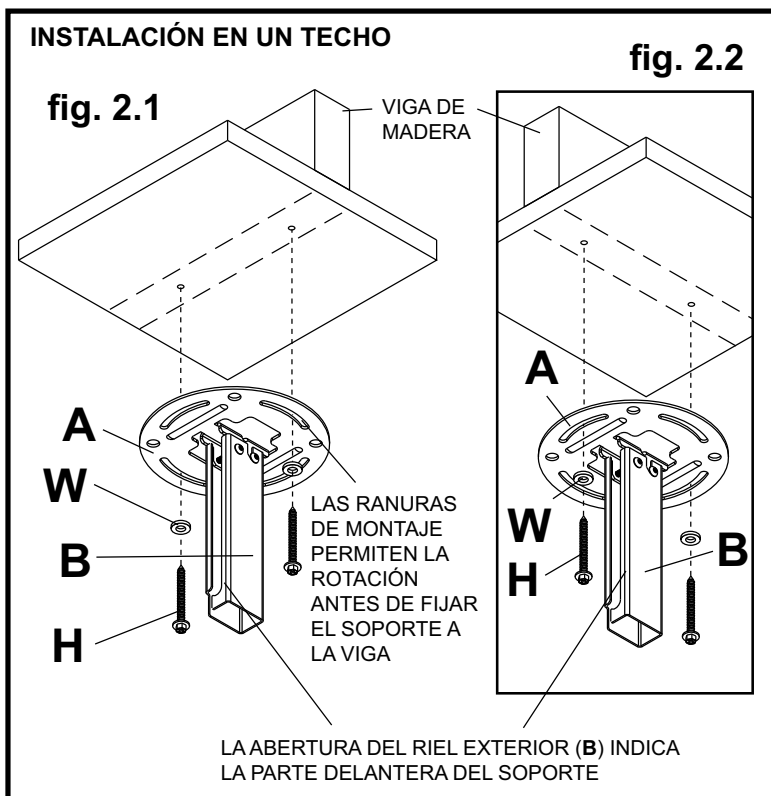
- El instalador tiene que asegurarse de que la superficie de apoyo sostendrá, con seguridad, la carga combinada del equipo y todos los fijadores y componentes.
- Apriete los tornillos para madera de manera que la placa de techo o de pared se fije firmemente, pero no en exceso. Apretarlos en exceso puede dañar los tornillos y puede disminuir significativamente su fuerza de sujeción.
- Nunca apriete a más de 80 pulg-lb (9 N•m).
- Asegúrese de que los tornillos de montaje estén anclados en el centro del montante. Se recomienda utilizar un localizador de montantes de "borde a borde".
- Los accesorios para la instalación que se proveen son para fijar el soporte a montantes de madera a través de tabique de yeso-cartón o yeso de espesor estándar. Los instaladores son responsables de suministrar los accesorios necesarios para otros tipos de instalaciones.

2 NOTA: Los modelos PPC, PPC-S y PPC-W no se pueden instalar en paredes.

Utilice un localizador de montantes para localizar los bordes del montante o de la viga. Se recomienda utilizar un localizador de montantes de "borde a borde". Tomando los bordes como punto de referencia, trace una línea vertical por el centro del montante o de la viga. Coloque la placa de techo o de pared (A) contra la pared o el techo para utilizarla como plantilla; asegúrese de que las dos ranuras de montaje estén sobre la línea que trazó por el centro.

Para instalar en un techo: La abertura del riel exterior (B) indica la parte delantera del soporte. Utilice las ranuras de montaje apropiadas de la placa de techo o de pared, según la orientación de la viga del techo, como se muestra en la figura 2.1 y en la figura 2.2. Las ranuras de montaje de la placa de techo permiten una rotación de 45° (± 22.5) antes de fijar el soporte a la viga.

Para instalar en una pared: La abertura del riel exterior (B) indica la parte superior del soporte. Marque el centro de los dos agujeros de montaje. Taladre dos agujeros de 5/32" (4 mm) de diámetro y 2-1/2" (65 mm) de profundidad. Fije la placa de techo o de pared (A) al montante o la viga de madera usando dos tornillos para madera de 14 x 2-1/2" (H) y las arandelas (W), como se muestra.



Instalación en un techo de concreto o en una pared de concreto o de bloques de hormigón de escorias

⚠ ADVERTENCIA

- Cuando vaya a instalar soportes de pared de Peerless en bloques de hormigón de escorias, asegúrese de que cuente con una capa de concreto de un grosor mínimo de 1-3/8" en el agujero, que pueda usar para los anclajes para concreto. ¡No taladre en juntas de argamasa! Asegúrese de hacer la instalación en la parte sólida del bloque, por lo general, a un mínimo de 1" del extremo del bloque. Los bloques de hormigón de escorias tienen que cumplir las especificaciones de la ASTM C-90. Se sugiere utilizar un taladro eléctrico convencional a baja velocidad para hacer el agujero en vez de un taladro percutor para no perforar el fondo del agujero al entrar en un vacío o una cavidad.
- El concreto tiene que tener una densidad mínima de 2,000 psi. Es posible que un concreto de menos densidad no sostenga el anclaje para concreto.
- Asegúrese de que la superficie de apoyo sostendrá, con seguridad, la carga combinada del equipo y todos los fijadores y componentes.

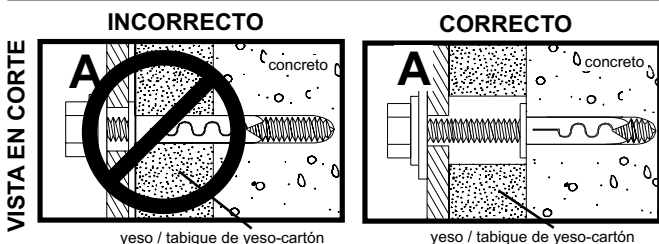
2

NOTA: Los modelos PPC, PPC-S y PPC-W no se pueden instalar en paredes.

Coloque la placa de techo o de pared (A) contra el techo o la pared para utilizarla como plantilla. **Nota:** Coloque la placa de techo o de pared según la posición de la abertura del riel exterior (B), como se muestra en figura 2.4 o en la figura 2.5. Taladre dos agujeros de 1/4" (6 mm) de diámetro a una profundidad mínima de 2.5" (64 mm). Fije la placa de techo o de pared utilizando dos anclajes para concreto (I), dos arandelas (W) y dos tornillos para madera de 14 x 2.5" (H), como se muestra en la figura 2.6. Apriete los tornillos para madera hasta que la placa de techo o de pared se fije firmemente.

⚠ ADVERTENCIA

- Apriete los tornillos para madera con firmeza, pero no en exceso. Apretarlos en exceso puede dañar los tornillos y puede disminuir significativamente su fuerza de fijación.
- Nunca apriete a más de 80 pulg-lb (9 N·m).
- Siempre fije los anclajes para concreto directamente en la pared que sostiene la carga.
- Nunca fije los anclajes para concreto a una pared de concreto recubierta con yeso, tabique de yeso-cartón u otro material de acabado. Si es inevitable hacer la instalación en una superficie de concreto recubierta con una superficie de acabado, la superficie de acabado tiene que ser escurrida, como se muestra abajo. Asegúrese de que los anclajes para concreto no se separen del concreto cuando apriete los tornillos. Si el grosor de la capa de yeso o tabique de yeso-cartón tiene un grosor mayor de 5/8", el instalador tiene que suministrar las fijaciones especiales (no aprobado por UL).

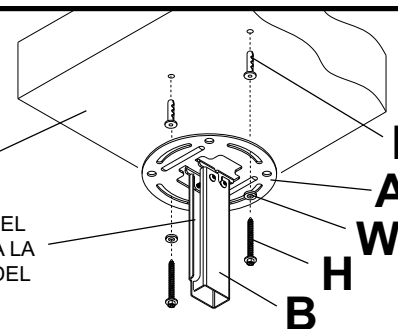


INSTALACIÓN EN UN TECHO

fig. 2.4

TECHO DE CONCRETO

LA ABERTURA DEL RIEL EXTERIOR (B) INDICA LA PARTE DELANTERA DEL SOPORTE



INSTALACIÓN EN UNA PARED (EXCEPTO PARA LOS MODELOS PPC)

fig. 2.5

TECHO DE CONCRETO

LA ABERTURA DEL RIEL EXTERIOR (B) INDICA LA PARTE SUPERIOR DEL SOPORTE

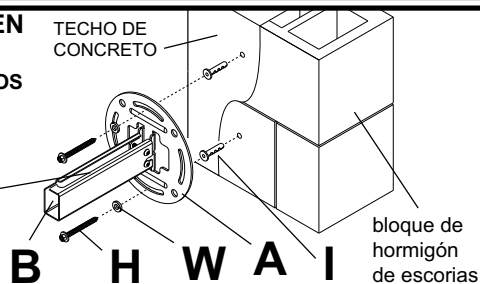
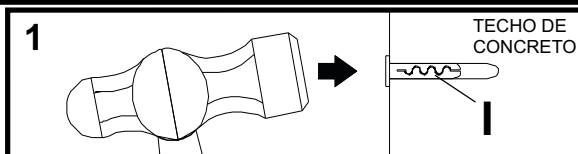
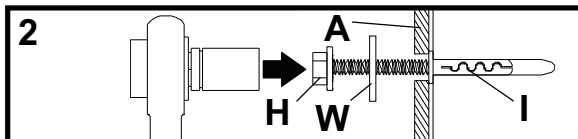


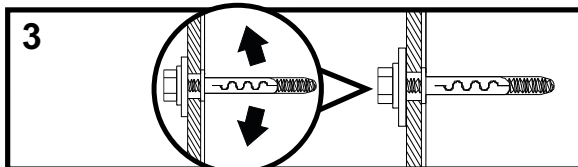
fig. 2.6



Taladre los agujeros e inserte los anclajes (I).



Coloque la placa (A) sobre los anclajes (I) y fijela con las arandelas (W) y los tornillos (H).



Apriete todas las fijaciones.

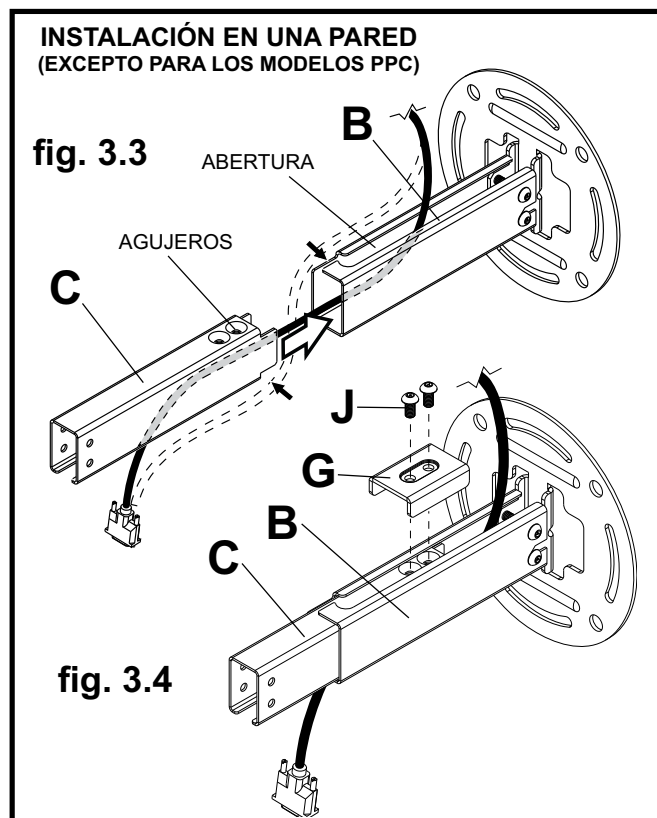
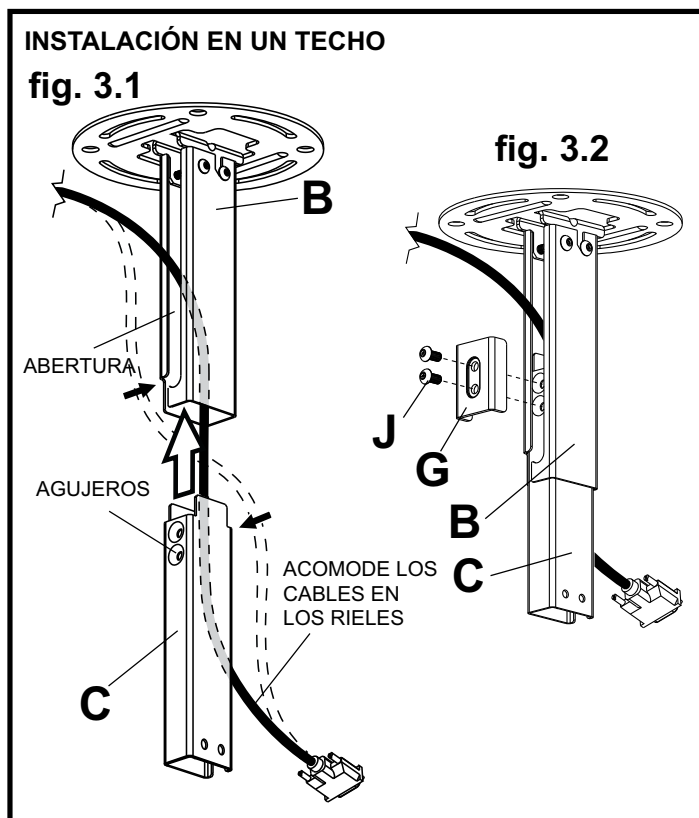
Instalación del riel interior y colocación de los cables

3 **Nota:** Asegúrese de que los agujeros del riel interior (C) se orienten en la misma dirección que la abertura del riel exterior (B).

Nota: Tiene que quitar los cables del proyector antes de acomodarlos en los rieles. Si los cables no se pueden quitar del proyector, no tiene la opción de acomodarlos en los rieles.

Acomode los cables del proyector en las aberturas de los rieles, luego inserte el riel interior (C) en el riel exterior (B), como se muestra en la figura 3.1 o en la figura 3.3.

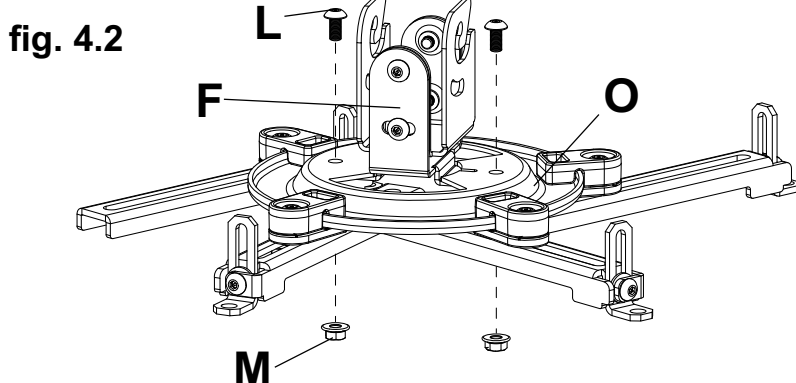
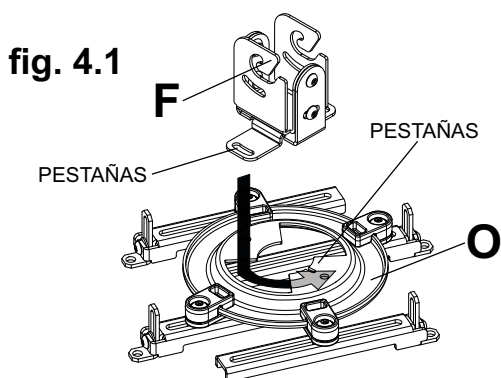
Coloque el riel interior (C) en la posición extendida deseada y fíjelo pasando dos tornillos pasadores de cabeza hueca de M6 x 12 mm (J) a través de la placa abrazadera (G), la abertura del riel exterior (B) y el riel interior (C), como se muestra en la figura 3.2 o en la figura 3.4.



Fijar la placa adaptadora al soporte para proyectores

4 Deslice las pestañas del soporte giratorio / rotatorio (F) por debajo de las pestañas de la placa adaptadora (O) rotándolas 90°, como se muestra en la figura 4.1.

Fije el soporte giratorio / rotatorio (F) a la placa adaptadora (O) usando dos tornillos de M5 x 10 mm (L) y dos contratuercas (M), como se muestra en la figura 4.2.



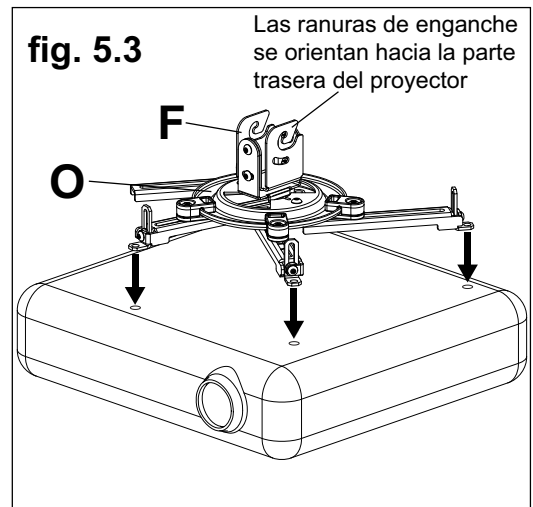
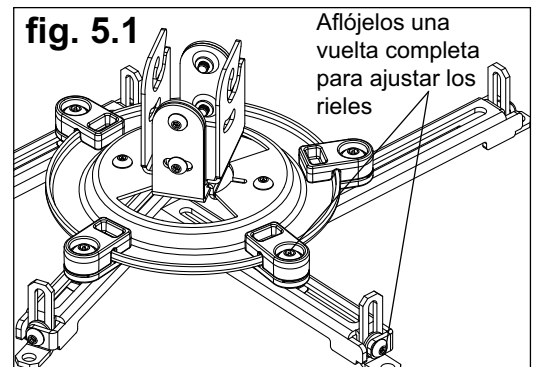
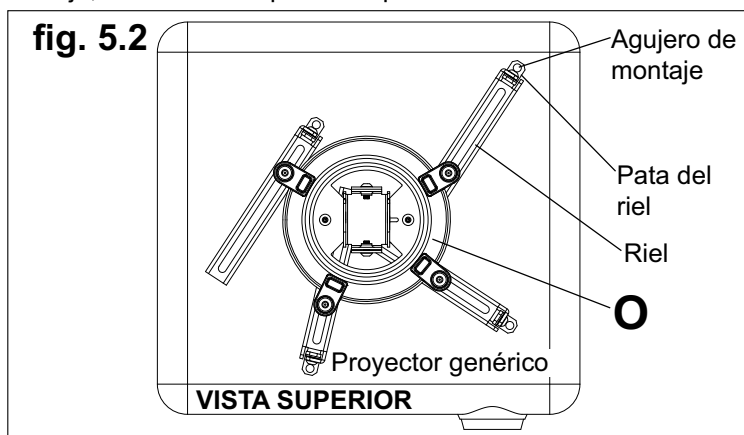
Fijar la placa adaptadora al soporte para proyectores (continuación)

5 Usando una llave allen de seguridad (N), afloje los ocho tornillos de la placa adaptadora (O) (mostrada en la figura 5.1) una vuelta completa para poder ajustar los rieles.

Coloque el proyector al revés y localice los agujeros de montaje. **Si solamente hay tres agujeros de montaje, quite el cuarto riel de la placa adaptadora.** Centralice la placa adaptadora (O) sobre el centro de gravedad del proyector a la vez que alinea los agujeros de montaje de las patas de los rieles con los agujeros de montaje del proyector, como se muestra en la figura 5.2 y en la figura 5.3.

Nota: Asegúrese de que las ranuras de enganche del soporte giratorio / rotatorio (F) se orienten hacia la parte trasera del proyector, como se muestra en la figura 5.3.

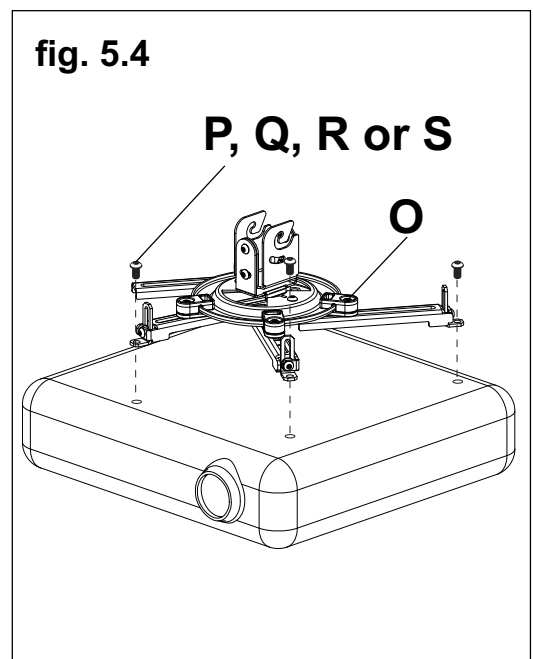
Importante: Si el proyector no tiene, por lo menos, tres agujeros de montaje, no utilice esta placa adaptadora.



5-1 Fije la placa adaptadora (O) al proyector utilizando un tornillo (P, Q, R o S) para cada riel, como se muestra en la figura 5.4. Apriete todos los tornillos, sin descentralizar la placa adaptadora. Asegúrese de que la placa adaptadora y el soporte giratorio / rotatorio (F) estén en la posición correcta. Ajuste las patas de los rieles para mantener el nivel de la placa adaptadora. Apriete todos los tornillos, con una llave allen de seguridad de 4 mm (N), sin cambiar el centro de gravedad. Si utiliza tornillos M3 (P), apriételos utilizando una llave allen de seguridad de 2 mm (U).

Nota: Necesitará tornillos de tamaños diferentes para instalar diferentes proyectores. Utilice la combinación de tornillos (P, Q, R o S) que sea necesaria y ajuste las patas de los rieles de manera que los rieles de la placa adaptadora (O) queden firmes contra el proyector. **Importante:** Para que las roscas entren bien en los agujeros de montaje, tiene que darle, por lo menos, tres vueltas completas al tornillo.

Nota: Si utiliza un tornillo (P), coloque una arandela (T) entre el tornillo y la pata del riel.



PRECAUCIÓN

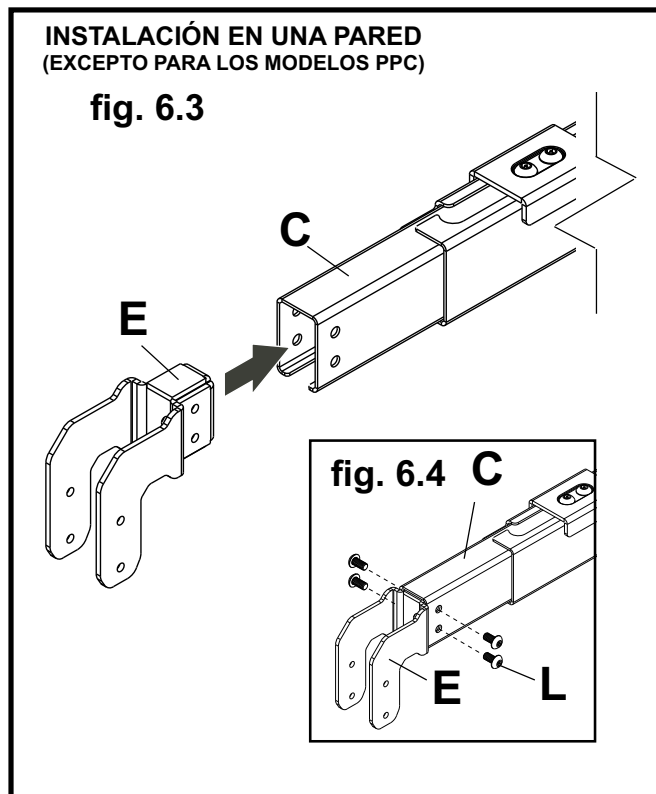
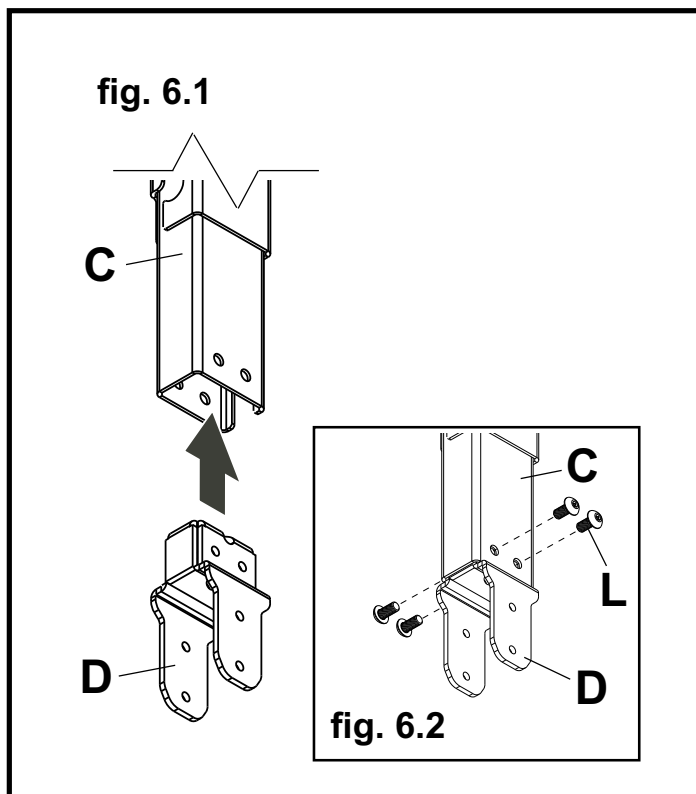
- El instalador es responsable de asegurarse de que el proyector tenga una ventilación adecuada. Las patas de los rieles se utilizan para separar el soporte de la superficie del proyector.

Fijar la placa adaptadora al soporte para proyectores (continuación)

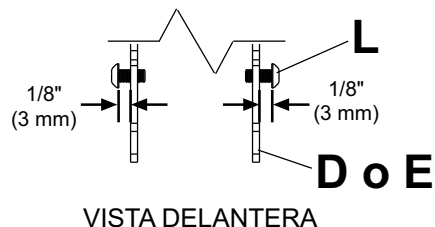
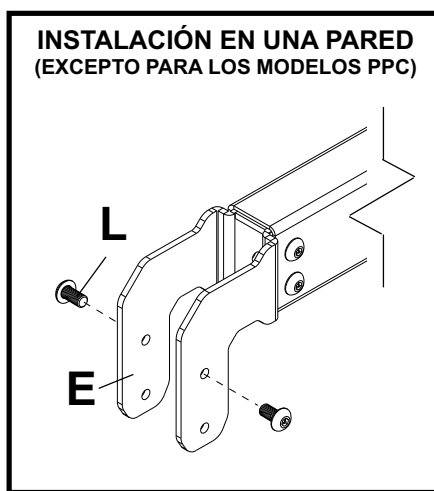
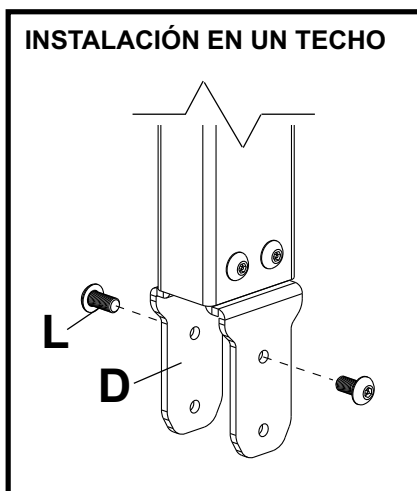
- 6** Inserte el soporte vertical de gancho (D) en el riel interior (C), como se muestra en la figura 6.1, si la instalación se hace en un techo, o inserte el soporte horizontal de gancho (E) en el riel interior (C), como se muestra en la figura 6.3, si la instalación se hace en una pared.

Fije el soporte de gancho (D o E) en el riel interior (C) usando cuatro tornillos pasadores de cabeza hueca de M5 x 10 mm (L), como se muestra en la figura 6.2 o en la figura 6.4.

LOS CABLES NO SE MUESTRAN POR RAZONES DE CLARIDAD



- 7** Enrosque dos tornillos de M5 x 10 mm (L) en los agujeros superiores del soporte de gancho (D o E) y deje 1/8" (3 mm) de la rosca expuesto entre la cabeza del tornillo y el soporte de gancho, como se muestra.



Fijar la placa adaptadora al soporte para proyectores (continuación)

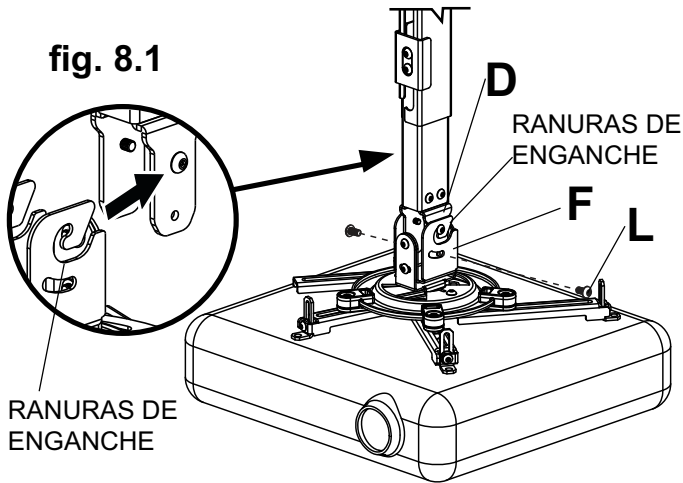
- 8** Deslice las ranuras de enganche del soporte giratorio / rotatorio (F) sobre los tornillos de M5 x 10 mm del soporte de gancho (D o E), como se muestra en la figura 8.1 si la instalación se hace en un techo o como se muestra la figura 8.2 si la instalación se hace en una pared. Apriete dos tornillos pasadores de cabeza hueca (L) por la ranura del soporte giratorio / rotatorio (F) y en el soporte de gancho (D o E).

⚠ ADVERTENCIA

- No levante más peso del que puede manejar. Cuente con otra persona que lo ayude o utilice un equipo mecánico de izar para levantar y colocar el proyector con seguridad.

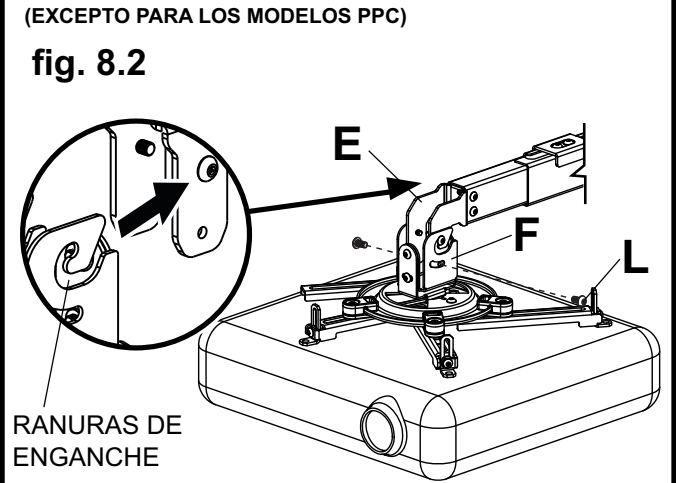
INSTALACIÓN EN UN TECHO

fig. 8.1



INSTALACIÓN EN UNA PARED (EXCEPTO PARA LOS MODELOS PPC)

fig. 8.2



Ajuste de la extensión del soporte

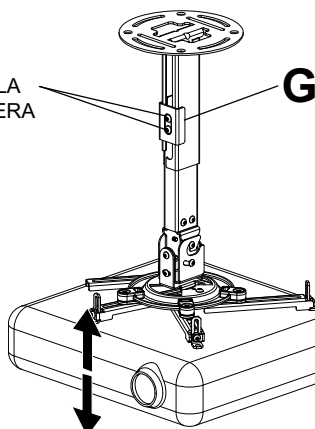
- 9** A la vez que sostiene el peso del proyector, afloje los tornillos de la placa abrazadera (G) media vuelta y coloque el proyector en la posición extendida deseada. Apriete los tornillos de la placa abrazadera firmemente.

⚠ ADVERTENCIA

- En lo que se refiere a las instalaciones en techos, los tornillos de ajuste de la placa abrazadera sostienen el peso del proyector cuando están apretados al máximo. Tendrá que sostener el peso del proyector si afloja los tornillos de la placa abrazadera.

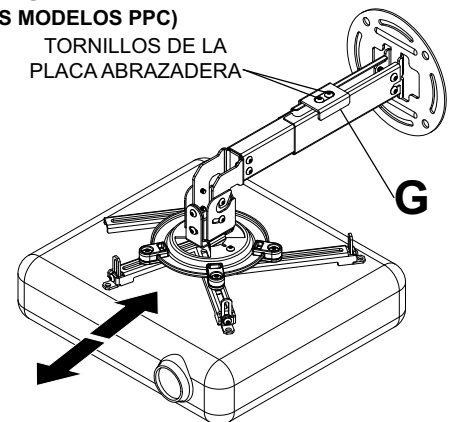
INSTALACIÓN EN UN TECHO

TORNILLOS DE LA PLACA ABRAZADERA



INSTALACIÓN EN UNA PARED (EXCEPTO PARA LOS MODELOS PPC)

TORNILLOS DE LA PLACA ABRAZADERA



Instalación de las cubiertas para los cables

- 10** Corte las cubiertas para los cables (V) de manera que tengan la misma longitud de la abertura del riel interior (C) y del riel exterior (B) y deje espacio para pasar los cables si los acomodó en los rieles. Coloque las cubiertas para los cables, a presión, en las aberturas, como se muestra.

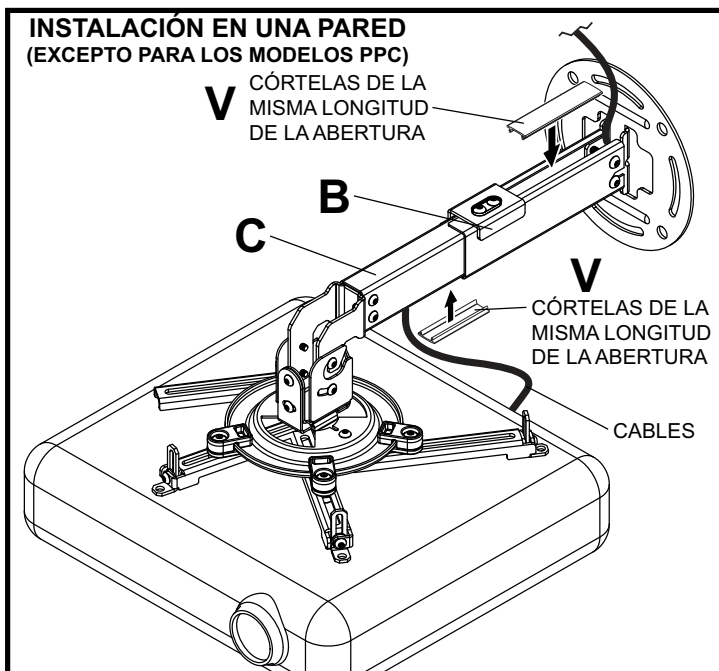
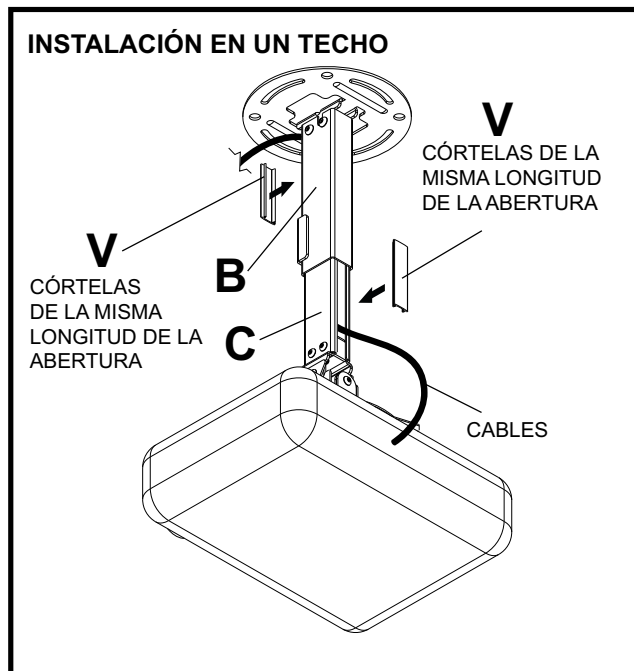
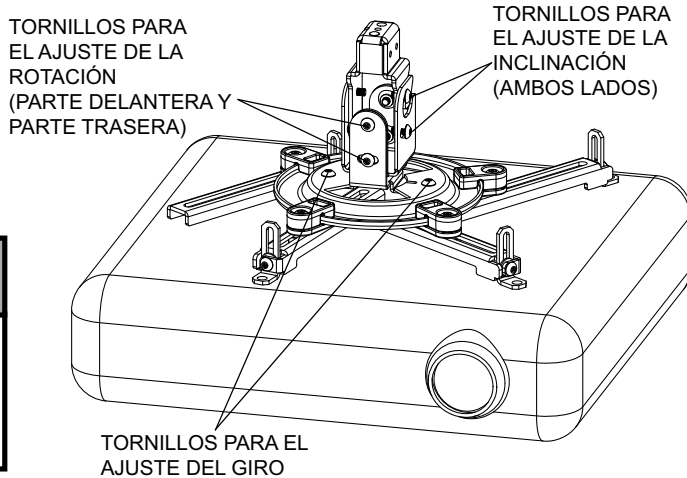


fig. 11.1

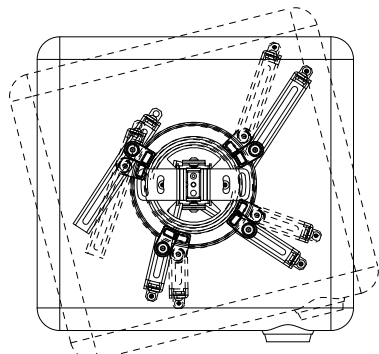
Alinear el proyector

- 11** Si los tornillos indicados en la figura 11.1 están apretados al máximo, afloje los tornillos media vuelta utilizando una llave allen (N) para poder ajustar la inclinación, el giro y la rotación. Alinee el proyector en la posición deseada y apriete los tornillos al máximo.

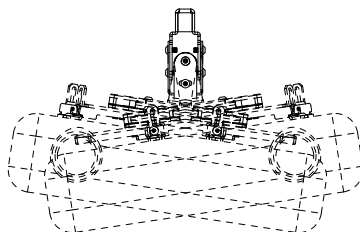


⚠ ADVERTENCIA

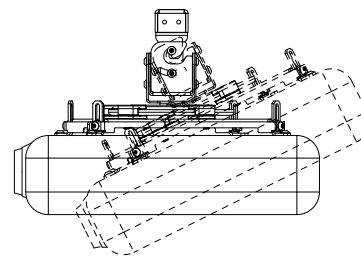
- No afloje los tornillos de ajuste hasta el punto en que se salgan del soporte. Sostenga el peso del proyector en caso de que se salga accidentalmente del soporte.



GIRO DE 20° (±10°)
AJUSTE DEL GIRO
VISTA SUPERIOR



ROTACIÓN DE 20° (±10°)
AJUSTE DE LA ROTACIÓN
VISTA DELANTERA

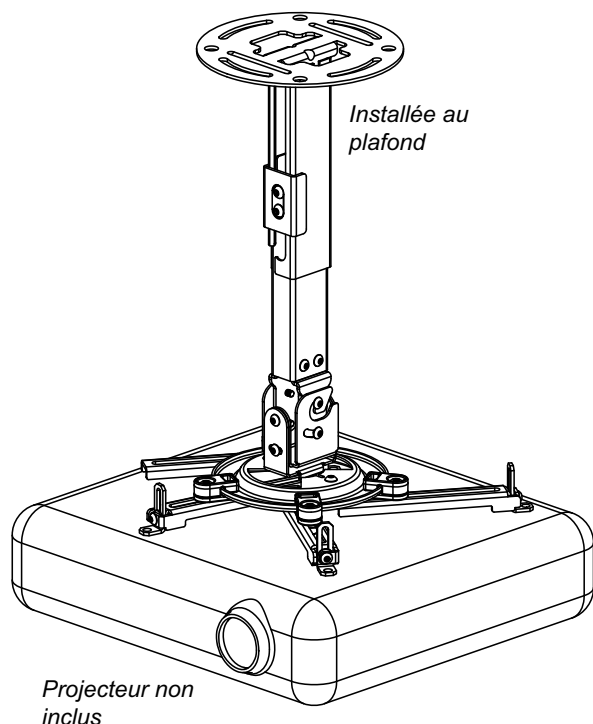


INCLINACIÓN DE 35° (+30°/-5°)
AJUSTE DE LA INCLINACIÓN
VISTA LATERAL

PARAMOUNT TM by Peerless

Installation et montage : Monture de projecteur ParamountTM pour montage sur plafond/mur

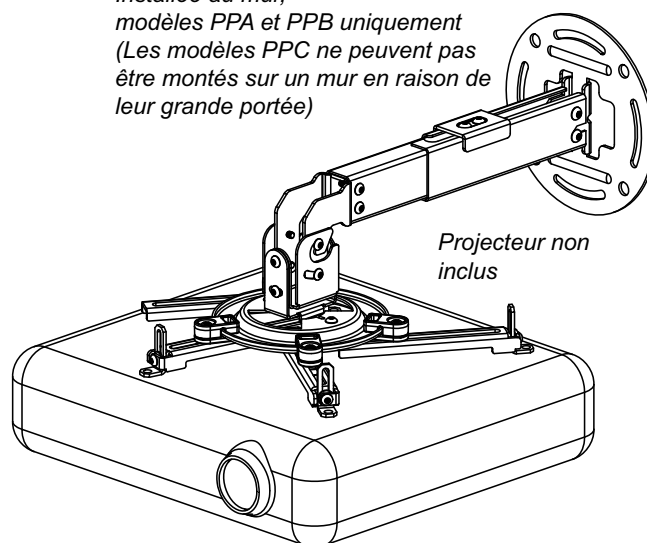
Modèles: PPA, PPA-S, PPA-W, PPB, PPB-S, PPB-W, PPC, PPC-S, PPC-W,



Cet appareil est conçu pour une utilisation avec des produits homologués UL et doit être installé par un installateur professionnel qualifié.

**Capacité de charge maximale
établie par l'UL :**
50 lb (22.7 kg)

*Installée au mur,
modèles PPA et PPB uniquement
(Les modèles PPC ne peuvent pas
être montés sur un mur en raison de
leur grande portée)*



Caractéristiques :

- Conception à glissière continue permettant le réglage ininterrompu de la distance verticale dans le cas d'un montage au plafond ou de la distance horizontale dans le cas d'un montage au mur.
- Réglages de hauteur variés permettant de trouver la position de visionnement idéale.
- Rotation de 360° durant l'installation
- Gestion de câble interne
- Loquet de sécurité intégré dans les glissières d'extension pour assurer la sécurité de l'utilisateur et de l'équipement
- Offre une gamme complète de réglages d'image : inclinaison : +30/-5°, roulis : ±20°, pivotement : rotation de 360° (±20° au niveau de la monture) durant l'installation
- Plaque d'adaptation universelle Spider[®] extensible de 7,1 po à 16,55 po, s'adaptant à la plupart des modèles de projecteur

Remarque : lisez entièrement la fiche d'instructions avant de commencer l'installation et l'assemblage.

▲ AVERTISSEMENT

- Ne commencez pas à installer votre produit Peerless avant d'avoir lu et compris les instructions et les mises en garde contenues dans cette fiche d'installation. Pour toute question concernant les instructions ou les mises en garde, veuillez appeler le service clientèle de Peerless au 1-800-865-2112.
- Ce produit ne doit être installé que par une personne possédant de bonnes aptitudes en mécanique, de l'expérience en matière de techniques de construction élémentaires et comprenant parfaitement ces instructions.
- Assurez-vous que la surface portante peut soutenir sans danger la charge totale de l'équipement ainsi que des pièces et composants qui y sont attachés.
- Ne dépassez jamais la capacité de charge maximale établie par l'UL. Reportez-vous à la page 23.
- Pour un montage sur des montants de bois pour murs ou plafonds, assurez-vous que les vis de montage sont ancrées au centre des montants. L'utilisation d'un localisateur de montants « bord à bord » est fortement recommandée.
- Pour lever et positionner l'équipement en toute sécurité, faites-vous toujours aider par une autre personne ou utilisez un dispositif de levage mécanique.
- Serrez fermement les vis, mais sans excès. Un serrage excessif peut endommager les vis et en réduire considérablement le pouvoir de maintien.
- Ce produit est prévu uniquement pour un usage intérieur. L'usage de ce produit à l'extérieur pourrait conduire à une panne du produit et à des blessures.
- Ce produit a été conçu et prévu pour être monté sur les surfaces portantes cochées ci-dessous, avec les pièces de fixation fournies, comme spécifié dans la fiche d'installation. Pour monter ce produit sur toute autre surface portante, communiquez avec le service à la clientèle de Peerless au 1 800 865-2112.
- Ce produit a été conçu pour être installé uniquement sur les constructions murales suivantes :

CONSTRUCTION MUR/PLAFOND

PIÈCES DE FIXATION SUPPLÉMENTAIRES REQUISES

<input checked="" type="checkbox"/> Montant de bois	Aucune
<input checked="" type="checkbox"/> Solive de bois	Aucune
<input checked="" type="checkbox"/> Béton plein	Aucune
<input checked="" type="checkbox"/> Bloc de béton	Aucune
<input type="checkbox"/> Montant métallique	Communiquez avec le service à la clientèle
<input type="checkbox"/> Brique	Communiquez avec le service à la clientèle
<input type="checkbox"/> Autre ou incertain(e) ?	Communiquez avec le service à la clientèle

Outils nécessaires au montage

- localisateur de montants (un localisateur de montants « bord à bord » est recommandé)
- perceuse
- foret de 1/4 po pour les murs en béton et en bloc de béton
- foret de 5/32 po pour montant ou solive de bois
- niveau

Table des matières

Liste des pièces.....	25, 26
Installation de la glissière extérieure sur la plaque de plafond	26
Installation sur plafond à solives de bois ou mur à montants de bois	27
Installation sur plafond en béton plein ou murs en béton/ blocs de béton.....	28
Installation de la glissière intérieure et acheminement des câbles	29
Fixation de la plaque d'adaptation sur la monture de projecteur.....	29-30
Réglage de l'extension de la monture	32
Installation des enveloppes de câbles	33
Alignement du projecteur	33

Avant de commencer, assurez-vous que toutes les pièces indiquées sont incluses avec le produit.

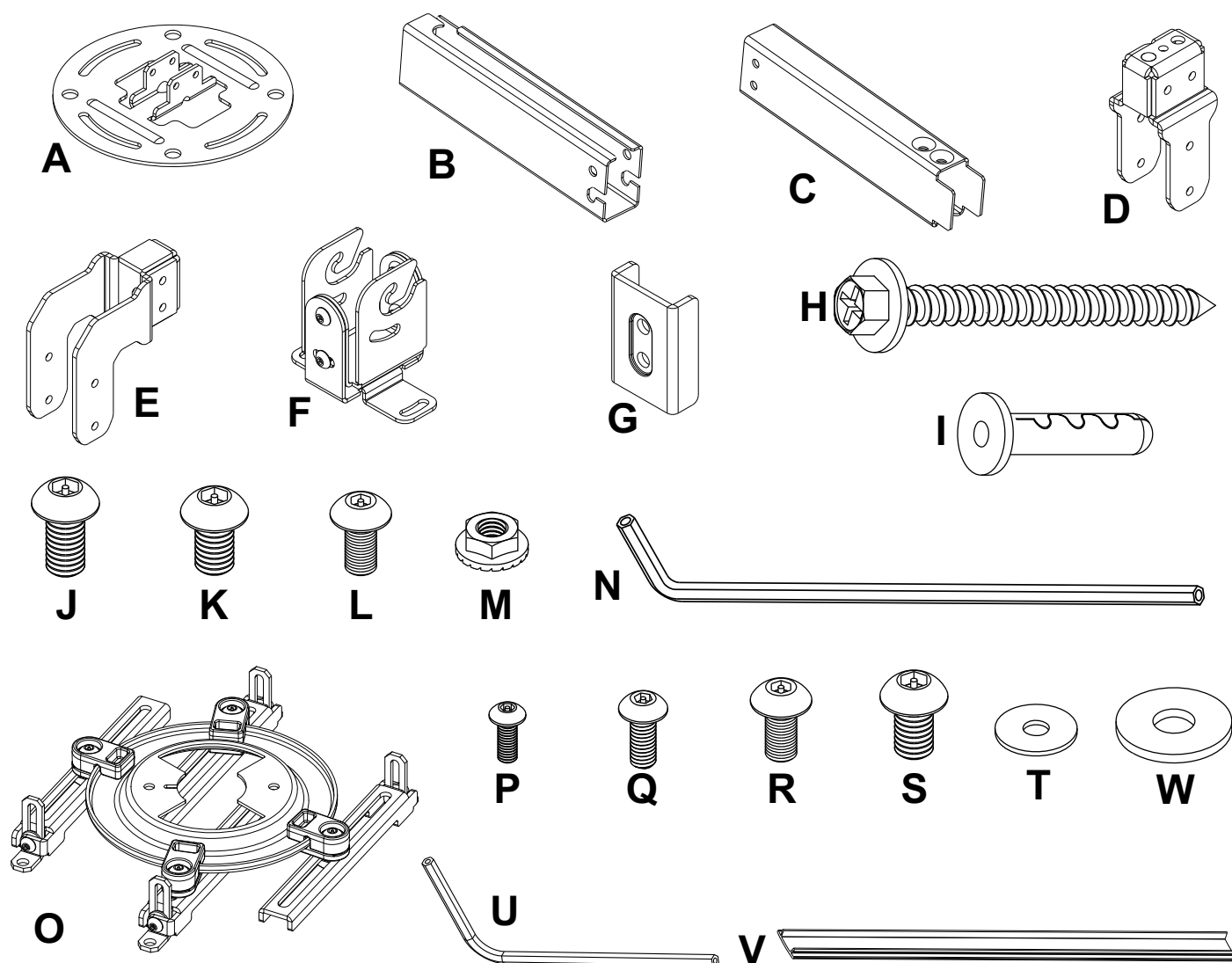
Liste des pièces							
Description	Qté.	PPA, PPB Réf. n°	PPA-S, PPB-S Réf. n°	PPA-W, PPB-W Réf. n°	PPC Réf. n°	PPC-S Réf. n°	PPC-W Réf. n°
A plaque de plafond	1	055-1773	055-4773	055-2773	055-1773	055-4773	055-2773
B glissière extérieure	1	VOIR TABLEAU	VOIR TABLEAU	VOIR TABLEAU	VOIR TABLEAU	VOIR TABLEAU	VOIR TABLEAU
C glissière intérieure	1	VOIR TABLEAU	VOIR TABLEAU	VOIR TABLEAU	VOIR TABLEAU	VOIR TABLEAU	VOIR TABLEAU
D support de suspension vertical	1	055-1781	055-4781	055-2781	055-1781	055-4781	055-2781
E support de suspension horizontal	1	055-1794	055-4794	055-2794	ND	ND	ND
F support de réglage du pivotement latéral (roulis)	1	055-1810	055-4810	055-2810	055-1810	055-4810	055-2810
G plaque de fixation	1	055-1771	055-4771	055-2771	055-1771	055-4771	055-2771
H vis à bois n° 14 x 2,5	2	5S1-015-C03	5S1-015-C04	5S1-015-C04	5S1-015-C03	5S1-015-C04	5S1-015-C04
I ancrage pour béton Alligator®	2	590-0097	590-0097	590-0097	590-0097	590-0097	590-0097
J vis à tête creuse M6 x 12 mm	2	520-1050	520-2050	520-2050	520-1050	520-2050	520-2050
K vis à tête creuse M6 x 10 mm	4	520-1066	520-2066	520-2066	520-1066	520-2066	520-2066
L vis à tête creuse M5 x 10 mm	10	520-1063	520-2063	520-2063	520-1063	520-2063	520-2063
M contre-écrou cannelé	2	530-1027	530-2042	530-2042	530-1027	530-2042	530-2042
N clé hexagonale de sécurité de 4 mm	1	560-9646	560-9646	560-9646	560-9646	560-9646	560-9646
O plaque d'adaptation universelle	1	055-1867	055-4867	055-2867	055-1867	055-4867	055-2867
P vis à tête creuse M5 x 8 mm	4	520-1168	520-2168	520-2168	520-1168	520-2168	520-2168
Q vis à tête creuse M4 x 10 mm	4	520-1060	520-2060	520-2060	520-1060	520-2060	520-2060
R vis à tête creuse M5 x 10 mm	4	520-1063	520-2063	520-2063	520-1063	520-2063	520-2063
S vis à tête creuse M6 x 10 mm	4	520-1066	520-2066	520-2066	520-1066	520-2066	520-2066
T rondelle .16" ID x .5" OD	4	540-1025	540-2025	540-2025	540-1025	540-2025	540-2025
U clé hexagonale de sécurité de 2 mm	1	560-1097	560-1097	560-1097	560-1097	560-1097	560-1097
V enveloppe de câble	2	VOIR TABLEAU	VOIR TABLEAU	VOIR TABLEAU	VOIR TABLEAU	VOIR TABLEAU	VOIR TABLEAU
W rondelle 6.5 mm ID x 17.8 mm OD	2	540-1078	540-2078	540-2078	540-1078	540-2078	540-2078

GLISSIÈRE EXTÉRIEURE, GLISSIÈRE INTÉRIEURE ET ENVELOPPE DE CÂBLE TABLEAU DES NUMÉROS DE RÉFÉRENCE DES PIÈCES

N° de modèle	extensible longueur	glissière extérieure (B) Réf. n°	glissière intérieure (C) Réf. n°	Enveloppe de câble (V) Réf. n°
PPA	12.75 po - 17.78 po	055-1779	055-1778	055-1809-2
PPA-S	12.75 po - 17.78 po	055-4779	055-4778	055-4809-2
PPA-W	12.75 po - 17.78 po	055-2779	055-2778	055-2809-2
PPB	16.75 po - 25.68 po	055-1776	055-1775	055-1809-1
PPB-S	16.75 po - 25.68 po	055-4776	055-4775	055-4809-1
PPB-W	16.75 po - 25.68 po	055-2776	055-2775	055-2809-1
PPC	23.2 po - 37.89 po	055-1770	055-1769	055-1809
PPC-S	23.2 po - 37.89 po	055-4770	055-4769	055-4809
PPC-W	23.2 po - 37.89 po	055-2770	055-2769	055-2809

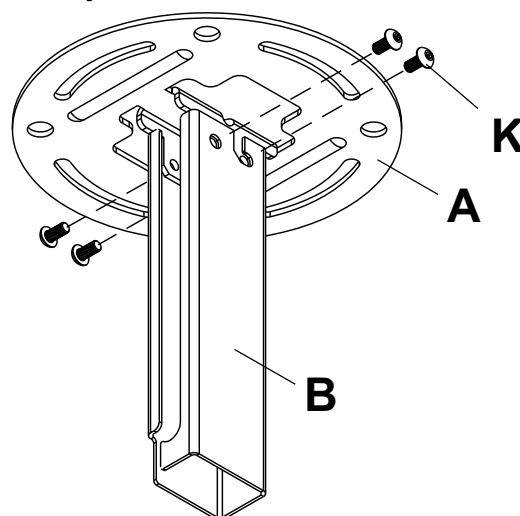
Liste des pièces (suite)

Avant de commencer, assurez-vous que toutes les pièces indiquées sont incluses avec le produit.



Installation de la glissière extérieure sur la plaque de plafond

- Fixez la glissière extérieure (B) sur la plaque de plafond (A) à l'aide de quatre vis à tête creuse M6 x 10 mm (K), comme illustré.



Installation sur plafond à solives de bois ou mur à montants de bois

⚠ AVERTISSEMENT

- L'installateur doit s'assurer que la surface portante peut soutenir sans danger la charge totale de l'équipement ainsi que des pièces et composants qui y sont attachés.
- Serrez les vis à bois fermement, mais sans excès de manière que la plaque de plafond/mur tienne solidement en place. Un serrage excessif peut endommager les vis et en réduire considérablement le pouvoir de maintien.
- Ne serrez jamais à plus de 80 po-lb (9 Nm).
- Assurez-vous que les vis de montage sont ancrées au centre des montants ou des solives. L'utilisation d'un localisateur de montants « bord à bord » est fortement recommandée.
- Les pièces de fixation fournies sont prévues pour une installation de la monture sur des montants ou des solives de bois à travers une cloison sèche ou du plâtre d'épaisseur standard. Il incombe à l'installateur de fournir les pièces de fixation requises pour tout autre type d'installation.

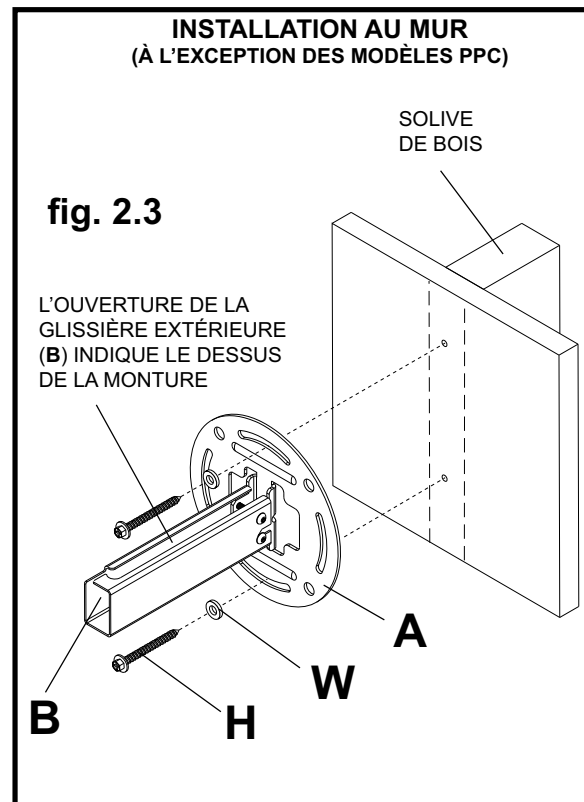
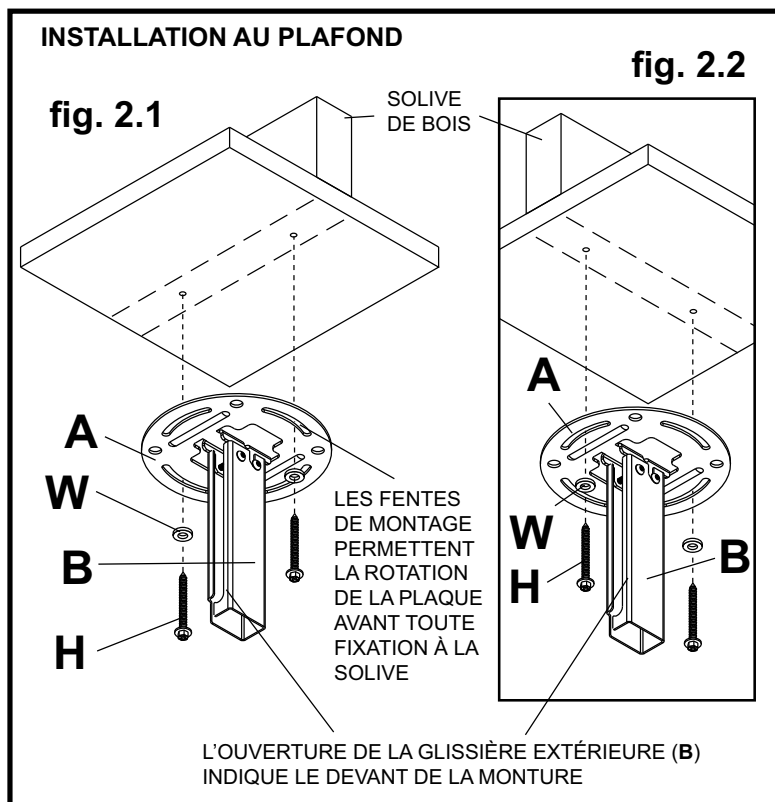
2 REMARQUE : l'installation au mur des modèles PPC, PPC-S et PPC-W n'est pas possible.
Repérez les bords du montant ou de la solive à l'aide d'un localisateur de montants. L'utilisation d'un localisateur de montants « bord à bord » est fortement recommandée. Après avoir repéré les bords, tracez une ligne verticale le long du centre du montant ou de la solive. Posez sur le mur ou le plafond la plaque de plafond/mur (A) qui servira de gabarit, en veillant à ce que les deux fentes de montage soient sur l'axe du montant.

Pour une installation au plafond : l'ouverture de la glissière extérieure (B) indique le devant de la monture.

Utilisez les fentes de montage correctes de la plaque de plafond/mur suivant l'orientation de la solive du plafond, comme illustré figure 2.1 et figure 2.2. Les fentes de montage de la plaque de plafond permettent une rotation de 45° (±22.5) avant la fixation à la solive.

Pour une installation au mur : l'ouverture de la glissière extérieure (B) indique le dessus de la monture.

Marquez le centre des deux trous de montage. Percez deux trous de 5/32 po (4 mm) de diamètre et de 2-1/2 po (65 mm) de profondeur. Fixez la plaque de plafond/murale (A) au montant ou à la solive en bois à l'aide de deux vis à bois n° 14 x 2-1/2 po (H) et de rondelles (W), comme illustré.



Installation sur plafonds en béton plein ou murs en béton/en blocs de béton

▲ AVERTISSEMENT

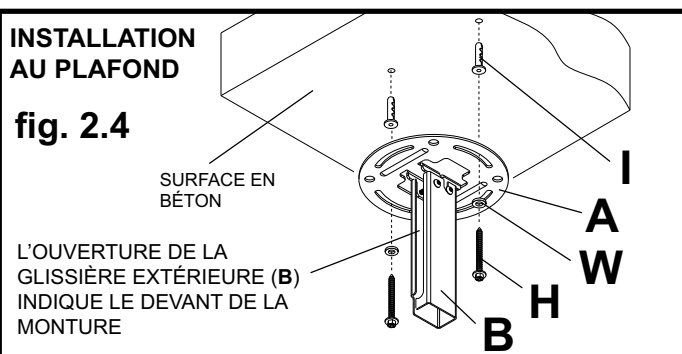
- Si vous installez des montures murales Peerless sur un bloc de béton de mâchefer, vérifiez que vous disposez d'une épaisseur de béton d'au moins 0,34 cm (1 3/8 po) dans le trou destiné aux ancrages de béton. Ne percez pas dans les joints de mortier ! Veillez à effectuer le montage dans une partie pleine du bloc, généralement à au moins 2,5 cm (1 po) du côté du bloc. Le bloc de béton de mâchefer doit être conforme aux spécifications de l'ASTM C-90. Pour percer le trou, il est conseillé d'utiliser une perceuse électrique standard sur un réglage bas au lieu d'un marteau perforateur, afin d'éviter de briser la partie arrière du trou lorsque vous pénétrez un vide ou une cavité.
- Le béton doit avoir une densité minimale de 2 000 psi. Un béton de densité moindre risquerait de ne pas retenir un ancrage de béton.
- Assurez-vous que la surface de support pourra soutenir sans danger la charge combinée de l'équipement, de toute sa visserie et de tous ses composants.

2 REMARQUE : l'installation au mur des modèles PPC, PPC-S et PPC-W n'est pas possible.

Posez au plafond ou sur le mur la plaque de plafond/mur (A) qui servira de gabarit. **Remarque :** posez la plaque de plafond/mur suivant la position de l'ouverture de la glissière extérieure (B) comme indiqué figure 2.4 ou figure 2.5. Percez deux trous de 1/4 po (6 mm) de diamètre à une profondeur minimale de 2,5 po (64 mm). Fixez la plaque de plafond/murale à l'aide de deux chevilles d'ancrage pour béton (I), deux rondelles (W) et deux vis à bois n° 14 x 2,5 po (H) comme illustré à la figure 2.6. Serrez les vis à bois jusqu'à ce que la plaque de plafond/mur soit fermement fixée.

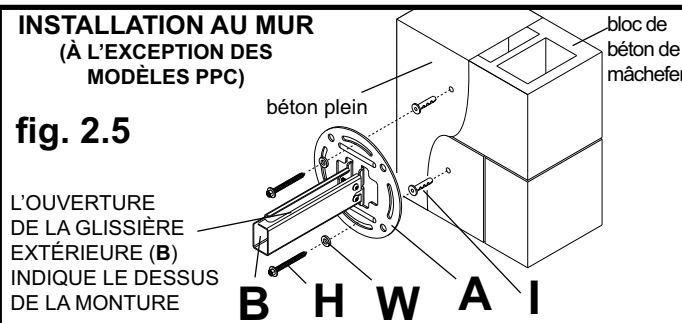
INSTALLATION AU PLAFOND

fig. 2.4



INSTALLATION AU MUR (À L'EXCEPTION DES MODÈLES PPC)

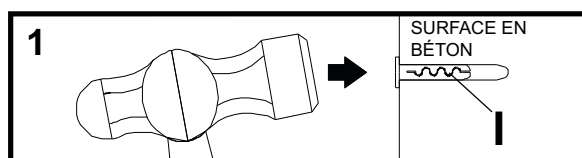
fig. 2.5



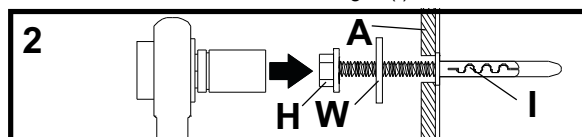
▲ AVERTISSEMENT

- Serrez fermement les vis à bois, mais sans excès. Un serrage excessif peut endommager les vis et en réduire considérablement le pouvoir de maintien.
- Ne serrez jamais à plus de 9 Nm (80 po-lb).
- Fixez toujours des ancrages de béton directement sur du béton porteur.
- Ne fixez jamais d'ancrages sur du béton recouvert de plâtre, une cloison sèche ou autre matériau de finition. Si vous ne pouvez pas éviter d'effectuer le montage sur du béton recouvert d'une surface de finition, celle-ci doit être chambrée, comme indiqué ci-dessous. Assurez-vous que les ancrages de béton ne se séparent pas du béton lorsque vous serrez les vis. Si l'épaisseur du plâtre / de la cloison sèche dépasse 1,5 cm (5/8 po), des fixations adaptées devront être fournies par l'installateur (non approuvées UL).

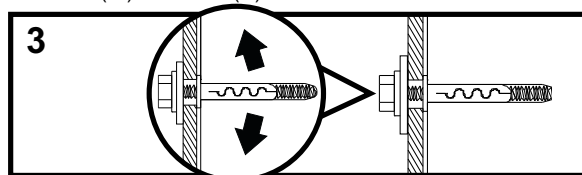
fig. 2.6



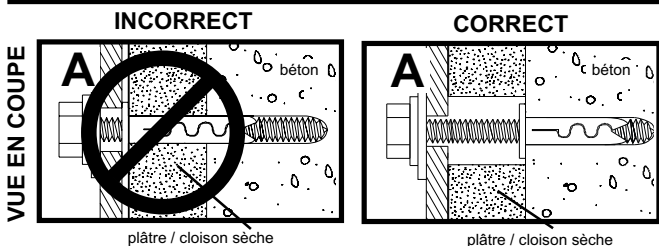
Percez des trous et insérez les ancrages (I).



Posez la plaque (A) sur les ancrages (I) et fixez-la à l'aide des rondelles (W) et des vis (H).



Serrez toutes les fixations.

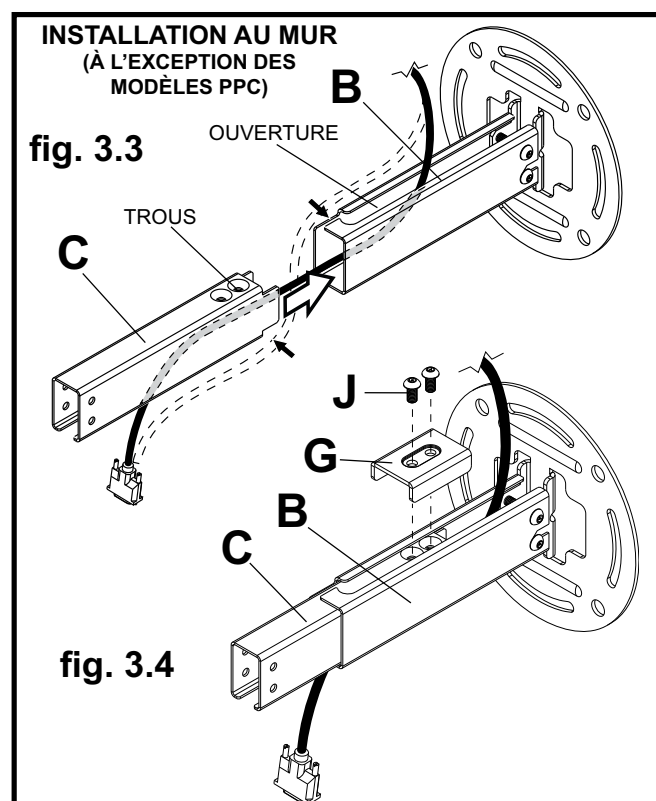
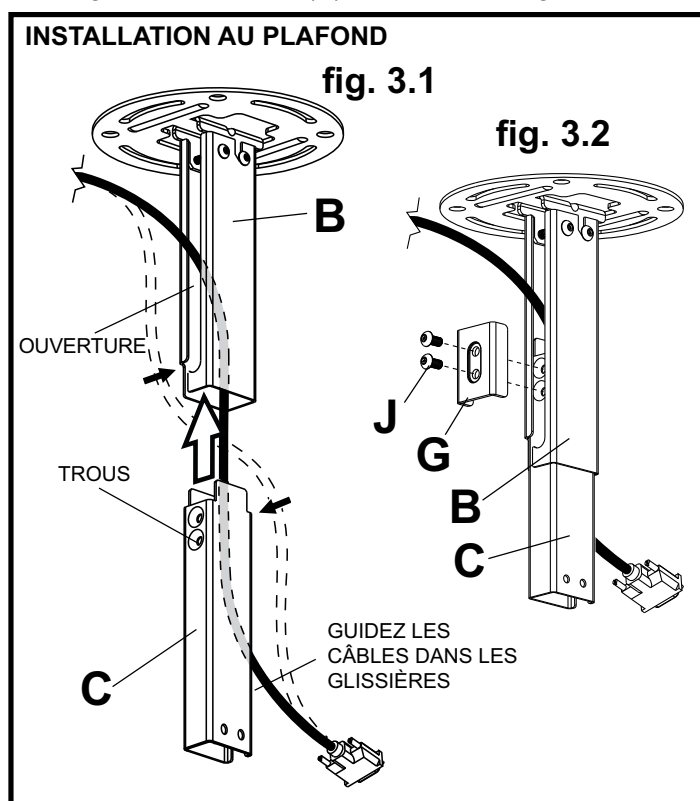


Installation de la glissière intérieure et acheminement des câbles

3 **Remarque :** assurez-vous que les trous de la glissière intérieure (C) sont orientés dans la même direction que l'ouverture de la glissière extérieure (B)

Remarque : les câbles doivent être retirés du projecteur avant d'être acheminés dans les glissières. S'ils ne peuvent pas se retirer du projecteur, il est impossible de procéder à l'acheminement au travers des glissières. Guidez les câbles du projecteur dans les ouvertures des glissières, puis insérez la glissière intérieure (C) dans la glissière extérieure (B) comme illustré figure 3.1 ou 3.2.

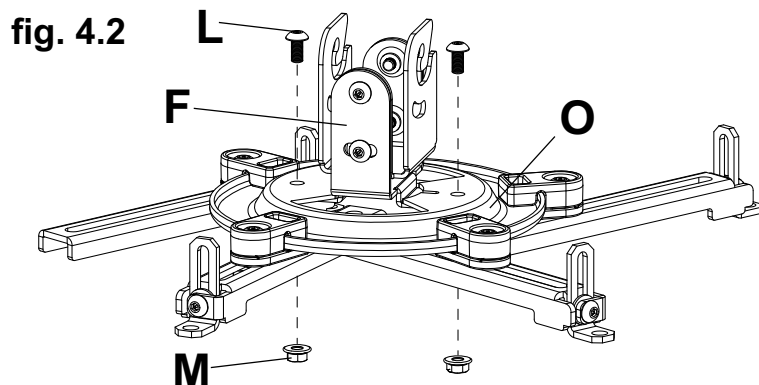
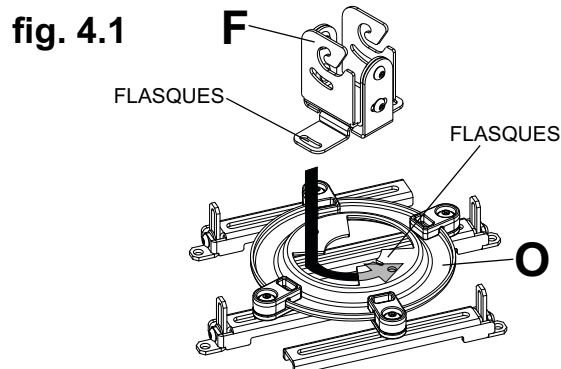
Positionnez la glissière intérieure (C) selon le degré d'extension désiré et fixez à l'aide de deux vis à tête creuse M6 x 12 mm (J) passant dans la plaque de fixation (G), dans l'ouverture de la glissière extérieure (B) et dans la glissière intérieure (C) comme illustré figure 3.2 ou 3.4.



Fixation de la plaque d'adaptation sur la monture de projecteur

4 Guidez les flasques du support (F) de réglage du pivotement latéral (roulis) sous les flasques de la plaque d'adaptation (O) en les tournant à 90° comme illustré figure 4.1.

Fixez le support de réglage du pivotement latéral (roulis) (F) sur la plaque d'adaptation (O) en utilisant deux vis M5 x 10 mm (L) et deux contre-écrous (M) comme illustré figure 4.2.



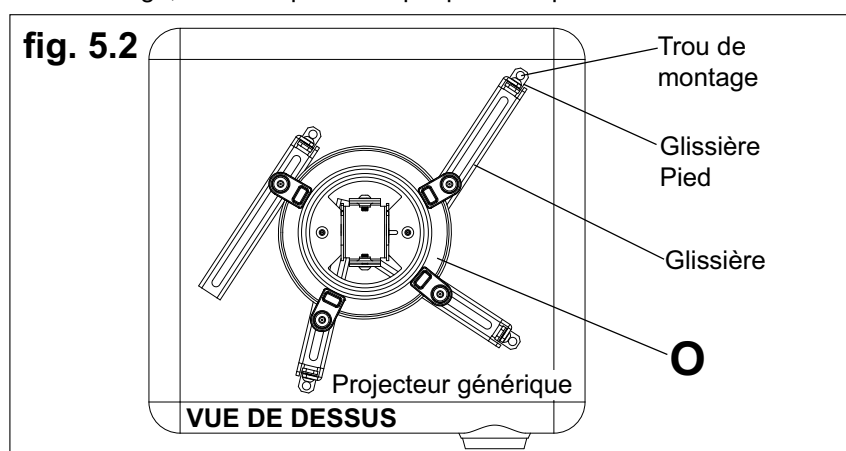
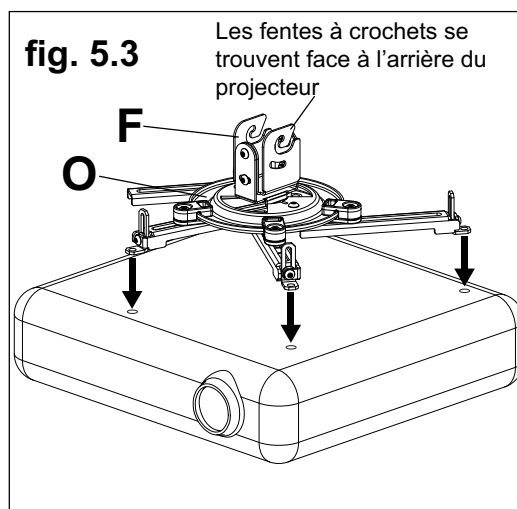
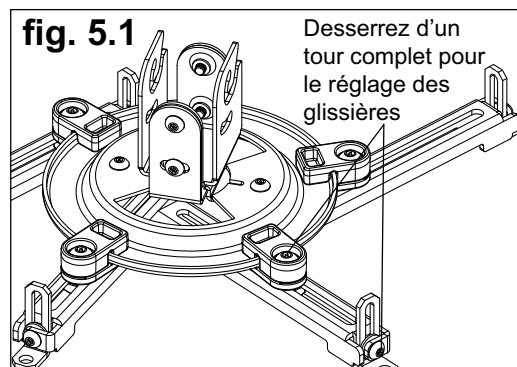
Fixation de la plaque d'adaptation sur la monture de projecteur (suite)

- 5** À l'aide de la clé hexagonale de sécurité de 4 mm (N), desserrez les huit vis de la plaque d'adaptation (O) (illustrée figure 5.1) d'un tour complet pour permettre le réglage des glissières.

Mettez le projecteur à l'envers et repérez les trous de montage. **S'il n'y a que trois trous de montage, retirez la quatrième glissière de la plaque d'adaptation.** Centrez la plaque d'adaptation (O) sur le centre de gravité du projecteur tout en alignant les trous de montage des pieds de la glissière sur les trous de montage du projecteur, comme illustré figure 5.2 et figure 5.3.

Remarque : assurez-vous que les fentes à crochets du support de réglage du pivotement latéral (roulis) (F) se trouvent face à l'arrière du projecteur comme illustré figure 5.3/

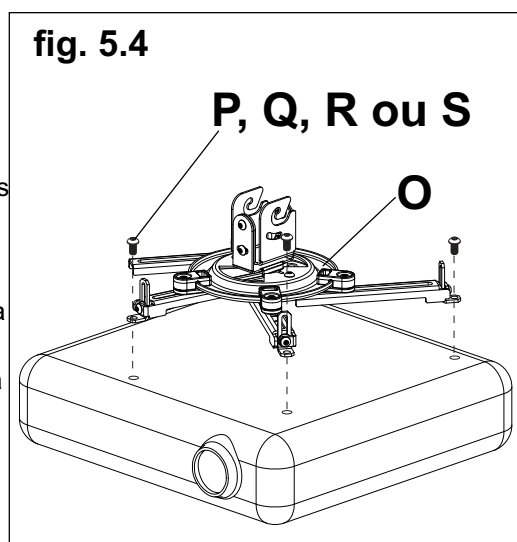
Important : si le projecteur n'est pas doté d'au moins trois trous de montage, n'utilisez pas cette plaque d'adaptation.



- 5-1** Fixez la plaque d'adaptation (O) au projecteur à l'aide d'une vis (P, Q, R ou S) pour chaque glissière, comme illustré figure 5.4. Serrez toutes les vis, en gardant la plaque d'adaptation centrée. Assurez-vous que la plaque d'adaptation et le support de réglage du pivotement latéral (roulis) (F) sont dans la position adéquate. Réglez les pieds de la glissière pour garder la plaque d'adaptation de niveau. Serrez toutes les vis à l'aide de la clé hexagonale de sécurité de 4 mm (N) en maintenant le centre de gravité. Si des vis M3 (P) sont utilisées, serrez-les à l'aide de la clé hexagonale de sécurité de 2 mm (U).

Remarque : les projecteurs nécessitent des vis de tailles différentes pour le montage. Utilisez une combinaison de vis (P, Q, R ou S) et de réglages de pieds permettant un bon ajustement de la plaque d'adaptation (O) contre le projecteur. **Important :** Afin d'engager correctement les filets dans les trous de montage, il faut donner à la vis au moins 3 tours complets

Remarque : si vous utilisez la vis (P), placez la rondelle (T) entre la vis et le pied de la glissière.



ATTENTION

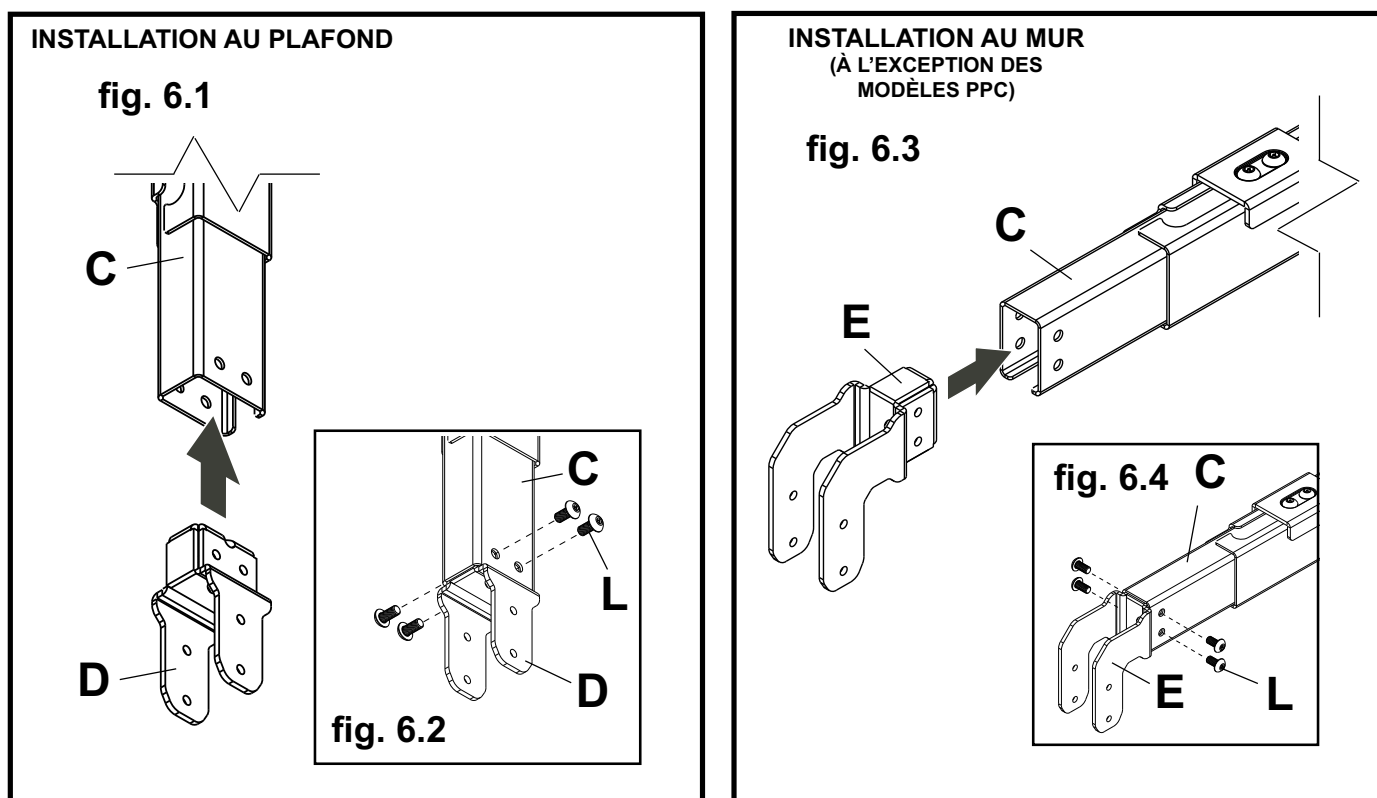
- Il incombe à l'installateur de s'assurer que le projecteur est correctement ventilé. Les pattes des rails servent à soulever le support de la surface du projecteur.

Fixation de la plaque d'adaptation sur la monture de projecteur (suite)

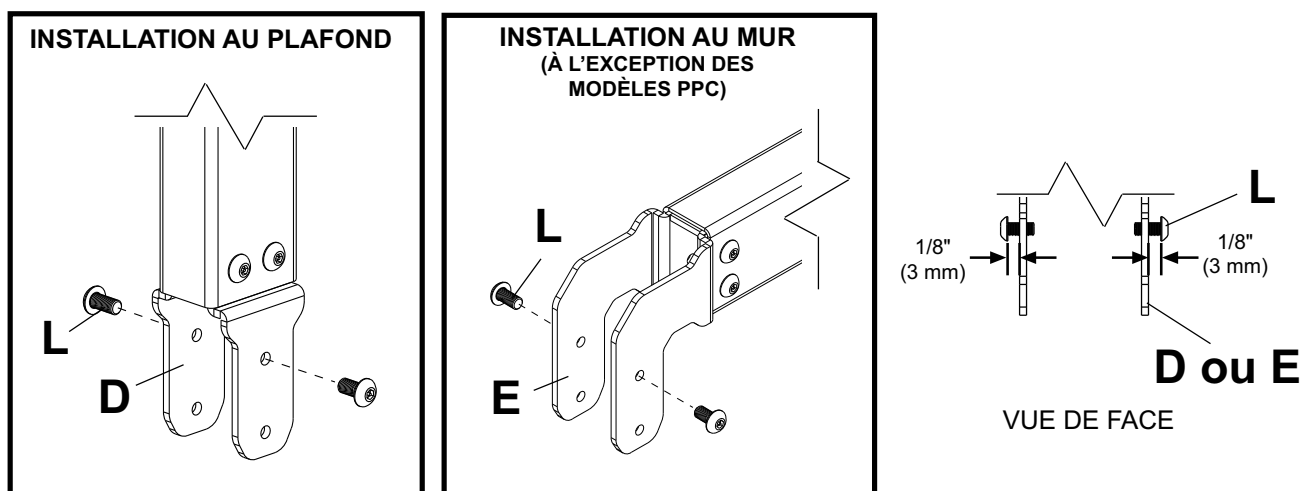
- 6** Dans le cas d'installation au plafond, insérez le support de suspension vertical (D) dans la glissière intérieure (C) comme illustré figure 6.1 ou dans le cas d'installation au mur, insérez le support de suspension horizontal (E) dans la glissière intérieure (C) comme illustré figure 6.3.

Fixez solidement le support de suspension (D ou E) à la glissière intérieure (C) à l'aide de quatre vis à tête creuse (L) comme illustré figure 6.2 ou figure 6.4.

POUR UNE MEILLEURE VISIBILITÉ, LES CÂBLES NE SONT PAS ILLUSTRÉS SUR CETTE PHOTO



- 7** Vissez deux vis M5 x 10 mm (L) dans les trous du haut du support de suspension (D ou E), en laissant exposé 1/8 po de filetage entre la tête de la vis et le support, comme illustré.

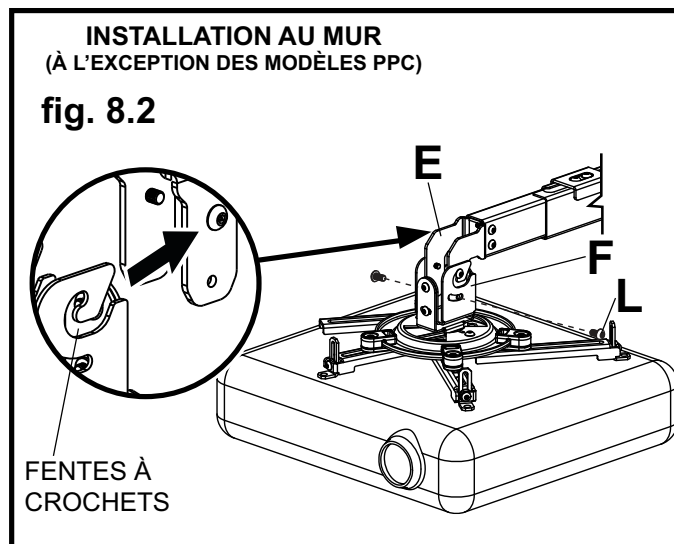
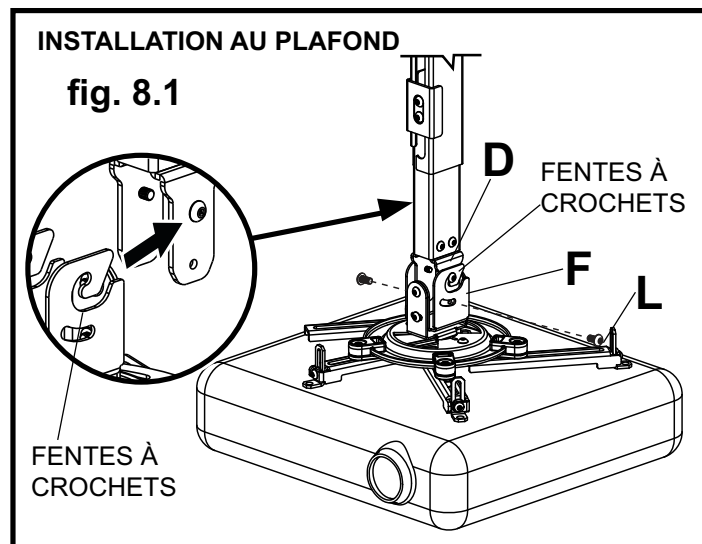


Fixation de la plaque d'adaptation sur la monture de projecteur (suite)

- 8** Guidez les fentes à crochets du support de réglage du pivotement latéral (roulis) (F) sur les vis M5 x 10 mm du support de suspension (D ou E) comme illustré figure 8.1 pour une installation au plafond ou figure 8.2 pour une installation au mur. Fixez deux vis à tête creuse (L) en les faisant passer par la fente du support de réglage du pivotement latéral (roulis) (F) et par le support de suspension (D ou E).

⚠ AVERTISSEMENT

- Ne soulevez pas une charge trop lourde pour vous. Pour positionner le projecteur en toute sécurité, faites-vous aider par une autre personne ou utilisez un dispositif de levage mécanique.

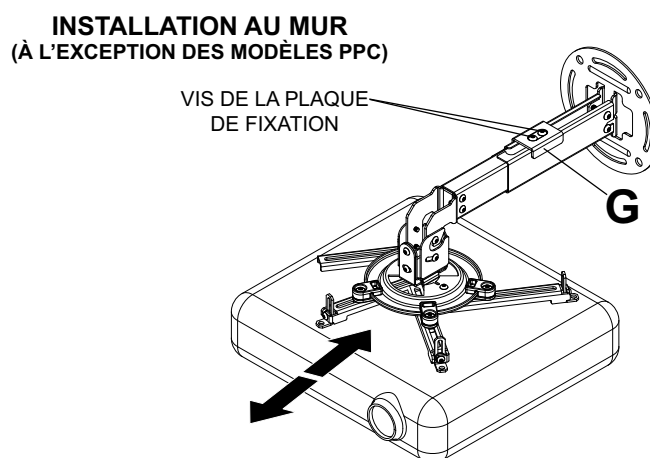
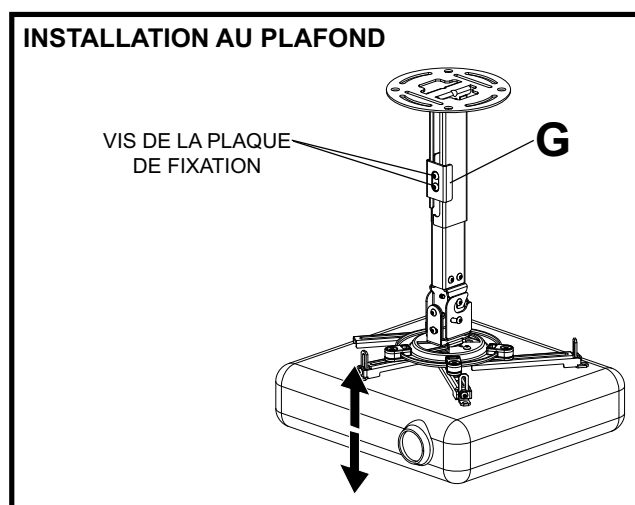


Réglage de l'extension de la monture

- 9** Tout en soutenant le poids du projecteur, desserrez les vis de la plaque de fixation (G) d'un demi-tour et positionnez le projecteur en fonction de l'extension désirée. Resserrez bien les vis de la plaque de fixation.

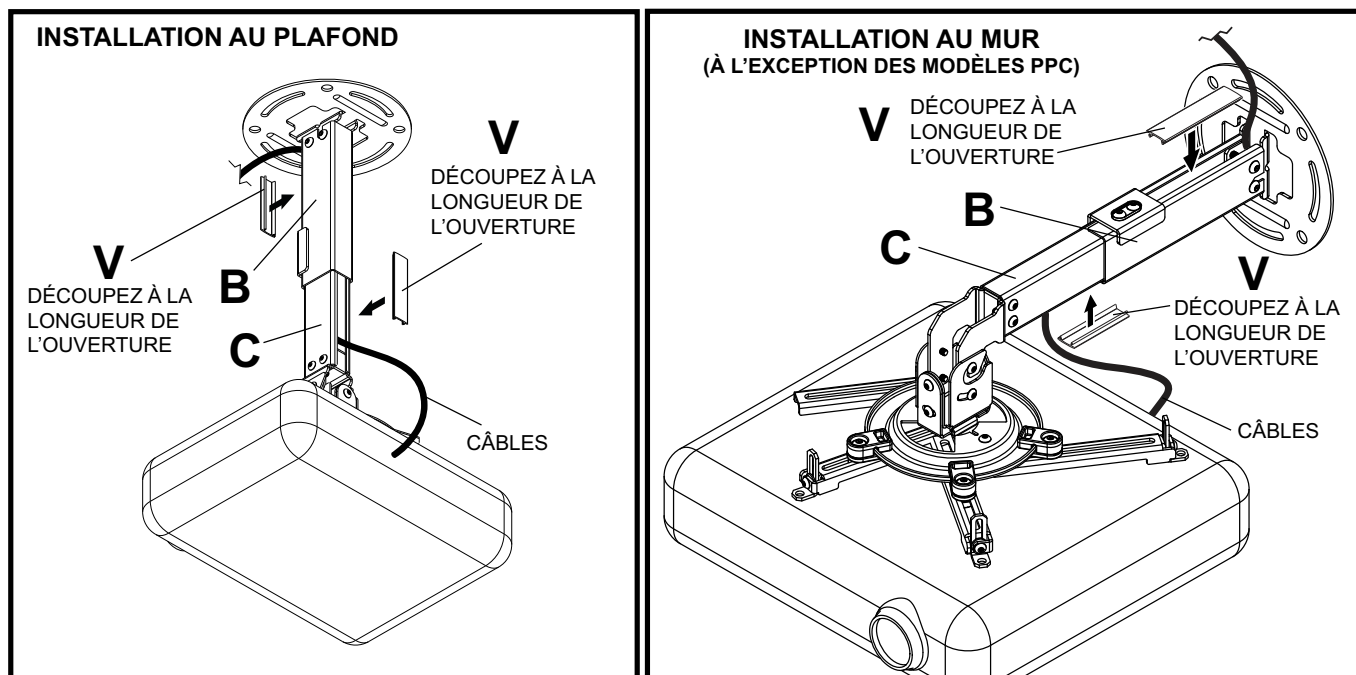
⚠ AVERTISSEMENT

- Dans le cas d'installation au plafond, les vis de réglage de la plaque de fixation soutiennent le poids du projecteur lorsqu'elles sont serrées à fond. Le poids du projecteur doit être soutenu si les vis de la plaque de fixation sont desserrées.



Installation des enveloppes de câbles

- 10** Découpez les enveloppes de câble (V) à la longueur des ouvertures de la glissière intérieure (C) et de la glissière extérieure (B), en laissant un espace pour les câbles s'ils sont acheminés par les glissières. Encliquez les enveloppes de câble dans les ouvertures, comme illustré.



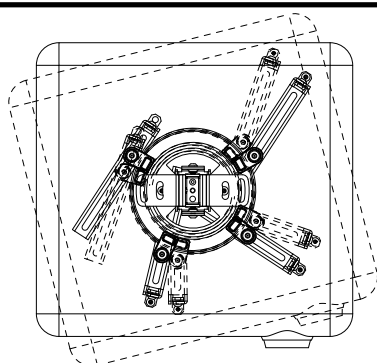
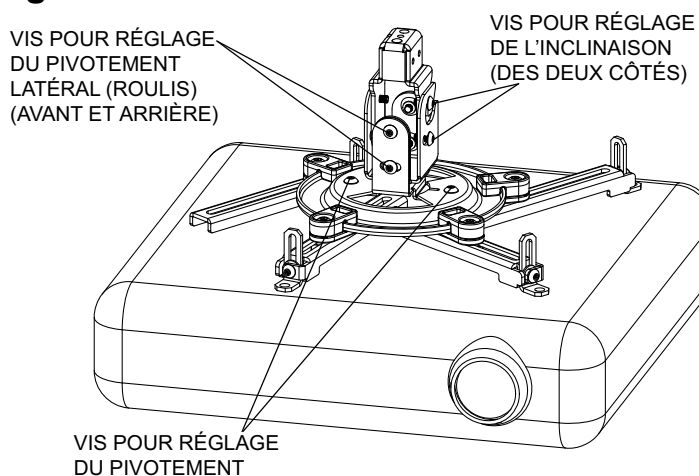
Alignement du projecteur

- 11** Si les vis illustrées figure 11.1 sont serrées à fond, desserrez-les d'un demi-tour à l'aide de la clé hexagonale (N) pour pouvoir régler l'inclinaison, le pivotement et le roulis. Alignez le projecteur sur la position désirée et serrez les vis à fond.

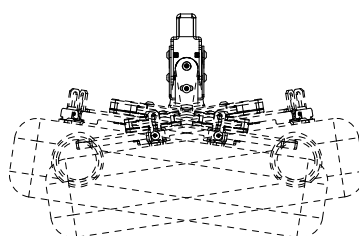
⚠ AVERTISSEMENT

- Ne desserrez pas les vis de réglage au point où elles risquent de se désengager de la monture. Le poids du projecteur doit être supporté en cas de désengagement accidentel.

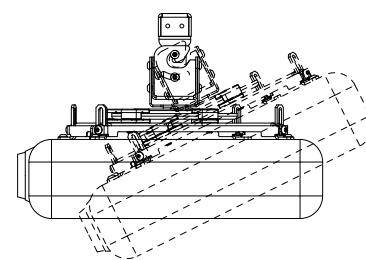
fig. 11.1



PIVOTEMENT DE 20° (±10°)
RÉGLAGE DU PIVOTEMENT
VUE DE DESSUS



ROULIS DE 20° (±10°)
RÉGLAGE DU PIVOTEMENT
LATÉRAL (ROULIS)
VUE DE FACE



INCLINAISON DE 35° (+30°/-5°)
RÉGLAGE DE L'INCLINAISON
VUE DE PROFIL