

<b>SUA740P</b>	DesignerSeries™ Ultra Slim Articulating Wall Mount for 32" to 40" Ultra-Thin Displays*	* Designed for use with displays that are less than 3" (76mm) deep
----------------	--	--

**Product Specifications**

	DIMENSIONS (W x H x D)	PRODUCT WEIGHT	LOAD CAPACITY	FINISH	AVAILABLE COLORS
<b>SUA740P</b>	16.38" x 16.14" x 1.74"-24.74" (416 x 410 x 44-628mm)	10.10lb (4.58kg)	60lb (27kg)	Scratch resistant fused epoxy	Gloss black

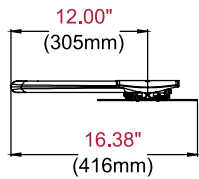
**Package Specifications**

	PACKAGE SIZE (W x H x D)	PACKAGE SHIP WEIGHT	PACKAGE UPC CODE	PACKAGE CONTENTS	UNITS IN PACKAGE
<b>SUA740P</b>	21.25" x 3.25" x 19.50" (540 x 86 x 495mm)	13.25lb (6.01kg)	735029306375	Wall mount, wall and display installation hardware, installation instructions	1

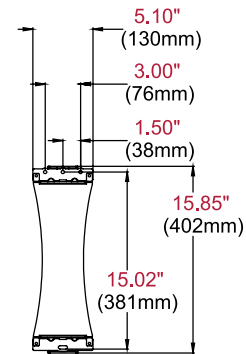
**Accessories**

- ACC919:** Security Fasteners
- IBA2(AC)(-W), IBA3(AC)(-W):** Recessed Cable Management and Power Storage Accessory Box
- IBA4-W:** Easy Mount Recessed Low Voltage Cable Plate
- IBA5-W:** Recessed Low Voltage Media Plate with Duplex Surge Suppressor
- ESHV models:** AV Wall Shelves
- WSP756:** Metal Stud Wall Plate

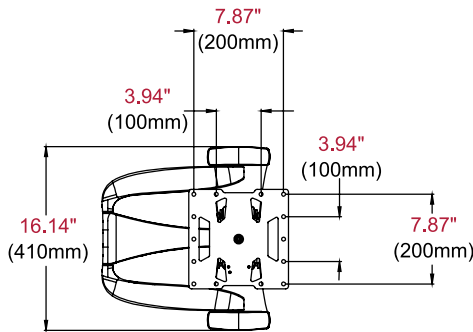
All dimensions = inch (mm)



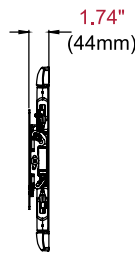
**TOP VIEW**



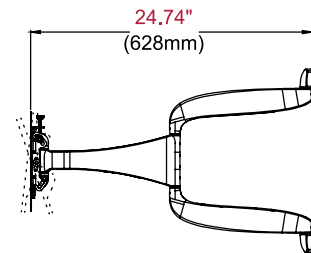
**WALL PLATE DETAIL**



**FRONT VIEW**



**SIDE VIEW COLLAPSED**



**SIDE VIEW EXTENDED  
+15°/-5° TILT**

**Architect Specifications**

The DesignerSeries™ Ultra Slim Articulating Wall Mount shall be a Peerless-AV model SUA740P and shall be located where indicated on the plans. Assembly and installation shall be done according to instructions provided by the manufacturer.

Visit [peerless-av.com](http://peerless-av.com) to see the complete line of AV solutions from Peerless-AV, including outdoor displays, wireless, kiosks, digital audio, display mounts, projector mounts, carts/stands, and a full assortment of accessories.

**Peerless-AV**  
2300 White Oak Circle  
Aurora, IL 60502 USA  
  
**(800) 865-2112**  
**(630) 375-5100**  
**Fax: (800) 359-6500**

**Peerless-AV Europe**  
Unit 3 Watford Interchange  
Colonial Way, Watford  
Herts, WD24 4WP  
United Kingdom  
**+44 (0) 1923 200100**  
**Fax: +44 (0) 1923 200101**

**Peerless-AV de México**  
Ave de las Industrias 413  
Parque Industrial Escobedo  
Escobedo, N.L.,  
Mexico 66050  
**+52 (81) 8384-8300**  
**Fax: +52 (81) 8384-8360**

