

SUA771PU

DesignerSeries™ Universal Ultra Slim Articulating Wall Mount for 42" to 90" Ultra-Thin Displays*

* Designed for use with displays that are less than 3" (76mm) deep

Product Specifications

	DIMENSIONS (W x H x D)	PRODUCT WEIGHT	LOAD CAPACITY	FINISH	AVAILABLE COLORS
SUA771PU	32.25" x 17.39" x 1.85"-24.85" (819 x 442 x 47-631mm)	23.04lb (10.45kg)	125lb (57kg)	Scratch resistant fused epoxy	Gloss black

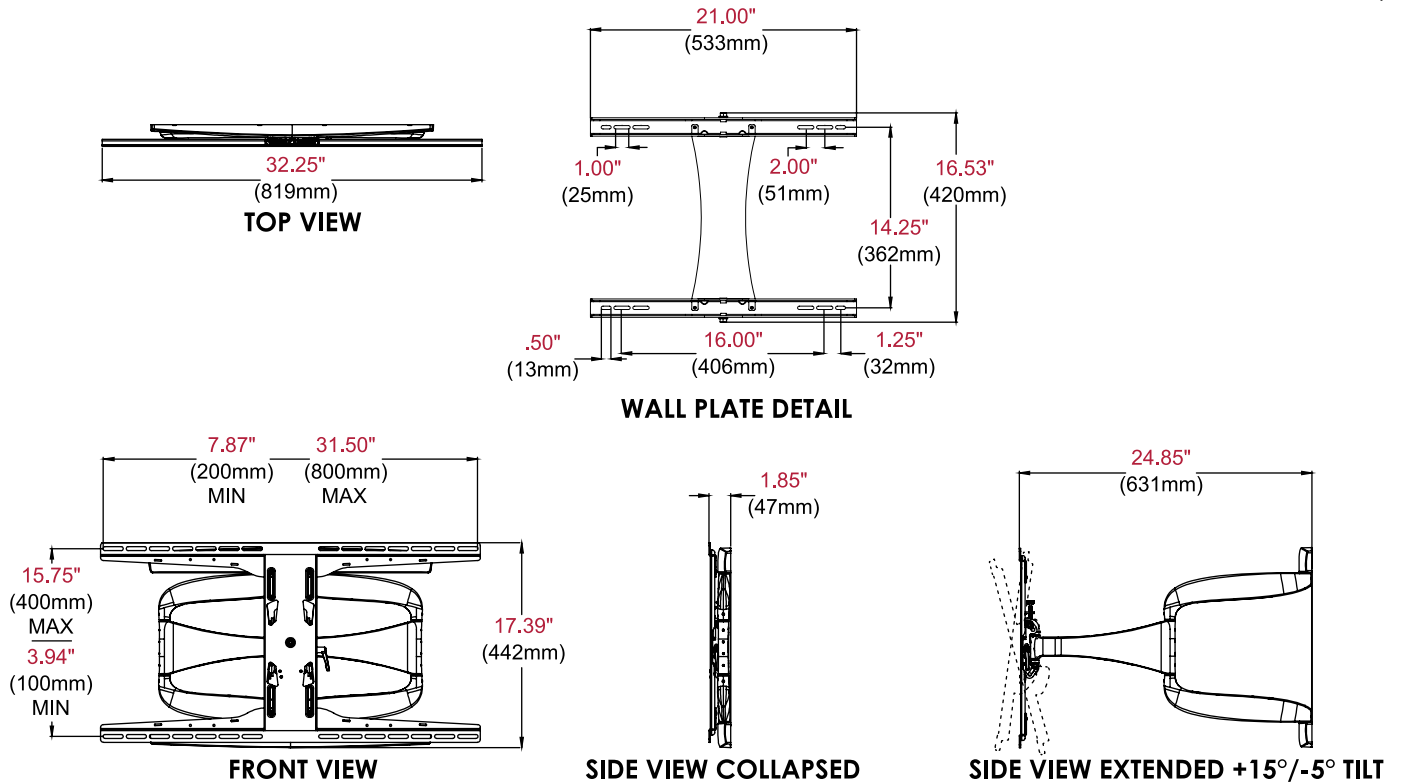
Package Specifications

	PACKAGE SIZE (W x H x D)	PACKAGE SHIP WEIGHT	PACKAGE UPC CODE	PACKAGE CONTENTS	UNITS IN PACKAGE
SUA771PU	41.00" x 4.00" x 23.75" (1041 x 102 x 603mm)	29.00lb (13.15kg)	735029306405	Wall mount, wall and display installation hardware, installation instructions	1

Accessories

- ACC925: Security Fasteners
- IBA2(AC)(-W), IBA3(AC)(-W): Recessed Cable Management and Power Storage Accessory Box
- IBA4-W: Easy Mount Recessed Low Voltage Cable Plate
- IBA5-W: Recessed Low Voltage Media Plate with Duplex Surge Suppressor
- ESHV models: AV Wall Shelves
- WSP756: Metal Stud Wall Plate

All dimensions = inch (mm)



Architect Specifications

The DesignerSeries™ Universal Ultra Slim Articulating Wall Mount shall be a Peerless-AV model SUA771PU and shall be located where indicated on the plans. Assembly and installation shall be done according to instructions provided by the manufacturer.

Visit peerless-av.com to see the complete line of AV solutions from Peerless-AV, including outdoor displays, wireless, kiosks, digital audio, display mounts, projector mounts, carts/stands, and a full assortment of accessories.

Peerless-AV
2300 White Oak Circle
Aurora, IL 60502 USA
(800) 865-2112
(630) 375-5100
Fax: (800) 359-6500

Peerless-AV Europe
Unit 3 Watford Interchange
Colonial Way, Watford
Herts, WD24 4WP
United Kingdom
+44 (0) 1923 200100
Fax: +44 (0) 1923 200101

Peerless-AV de México
Ave de las Industrias 413
Parque Industrial Escobedo
Escobedo, N.L.,
Mexico 66050
+52 (81) 8384-8300
Fax: +52 (81) 8384-8360

