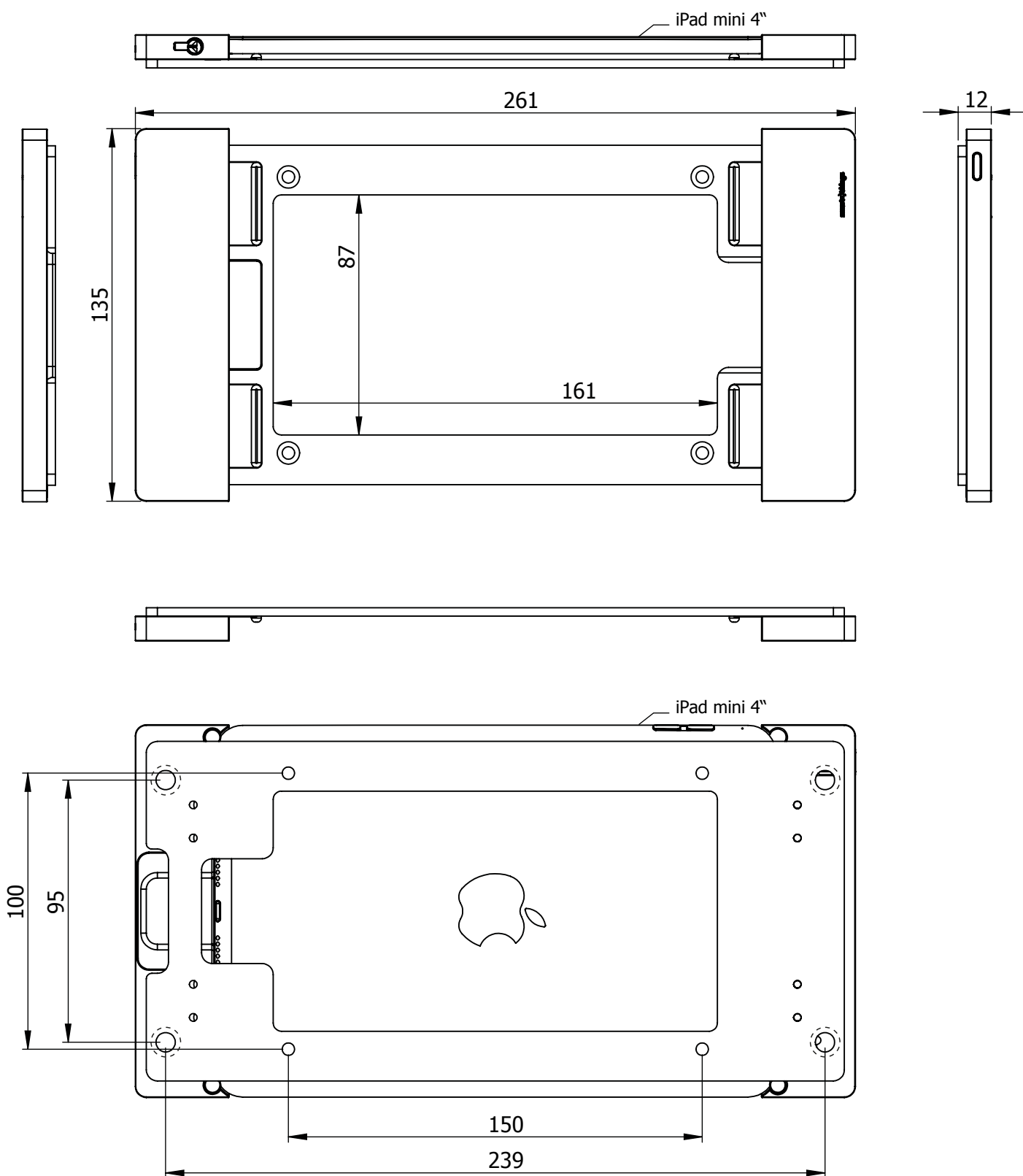


# s09 sDock Fix mini



**Fixation options:**

Holes 150 x 100 mm ,  $\varnothing$  4mm with chamfer

Holes 239 x 95 mm ,  $\varnothing$  7mm with recess, for use with washers (orientation adjustment)