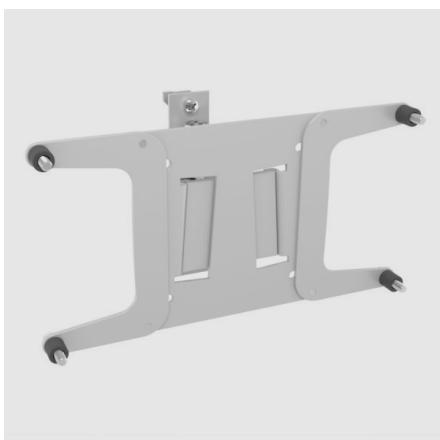


SMS L ST KIT



If you want to add an extra screen to your bracket you will need an extra swivel & tilt handle for each additional screen. As the description implies it will make your screen swivel and tilt.



ARTICLE NUMBER

FS040011
SMS Flatscreen L ST Kit Silver

INFO

PLACEMENT Accessory

