

# SMS PRESENCE VIDEO CONFERENCE MOTORIZED



## Bring your video conferencing to a new level.

A stable, patented, and at the same time elegant design. The unique design completely hides cables and peripherals inside the product. Attractive from all sides, thus able to be placed in the centre of the room. Perfect for large, heavy displays and touch-sensitive displays, due to the very stable design. A camera shelf is included. The motorized height adjustment is soft and quiet, readily available from a button at the side of the unit, behind the displays. The pre-factory assembly means that installation is easy and quick, while the hidden cable chain inside the product ensures that the cables run freely with no risk of fastening. The displays can be locked by a padlock or the accompanying locking pin, which provides increased protection from theft and personal safety. The design is protected.

## QUESTIONS AND ANSWERS

### How do I gain access to the cables and equipment inside the product?

- Removable magnetic covers on both the front and the back of the unit make it easy to gain access to cables and other media equipment.

### Is my camera equipment compatible with the bracket?

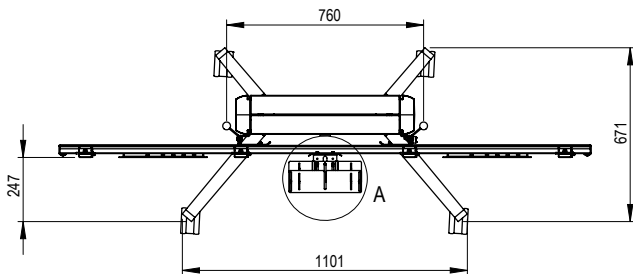
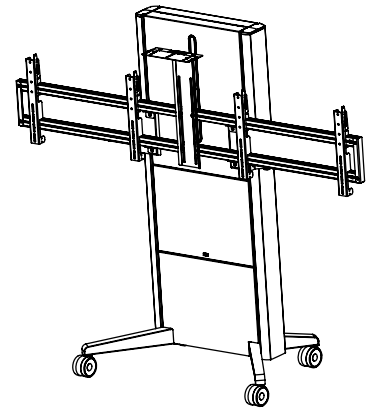
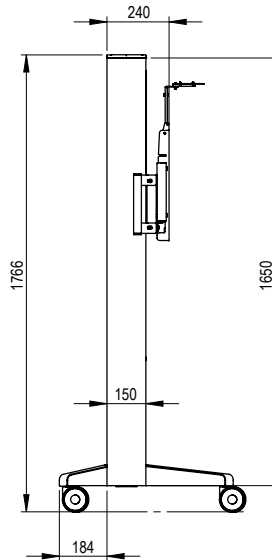
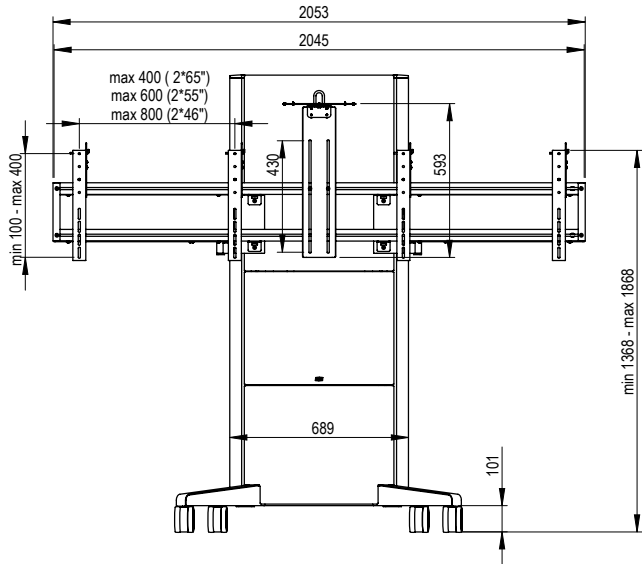
- Yes, the product can be used with any camera. A camera shelf is included in the delivery, easily mounted above the displays.

**INFO**

- Finish: aluminium/anthracite grey
- Maximum weight of each display: 55 kg
- Recommended display size, approx. 46 – 65"
- Suitable for VESA standard 100-400 mm vertically
- The horizontal hole pattern can be increased if smaller displays are used:  
 2 x 65" (maximum horizontal VESA 400 mm)  
 2 x 55" (maximum horizontal VESA 600 mm)  
 2 x 46" (maximum horizontal VESA 800 mm)
- Locking: with the accompanying locking pin or with a padlock (not included)
- Stroke length: 500 mm
- Motorised up and down travel
- Easy to move, easy to assemble
- Handles for the product is supplied
- A camera shelf is included in the delivery, easily mounted above the displays.
- Dedicated area for cables and peripherals inside the product; 550 (W) x 380 (H) x 132 mm (D)
- Protected design
- Patented height-adjustment system
- Accessory: Remote Control Kit AE018002

**ART. NO.**  
PR031110-PO

**DESCRIPTION**  
SMS Presence Video Conference Motorized EU



DETAIL A  
SCALE 1 : 5

