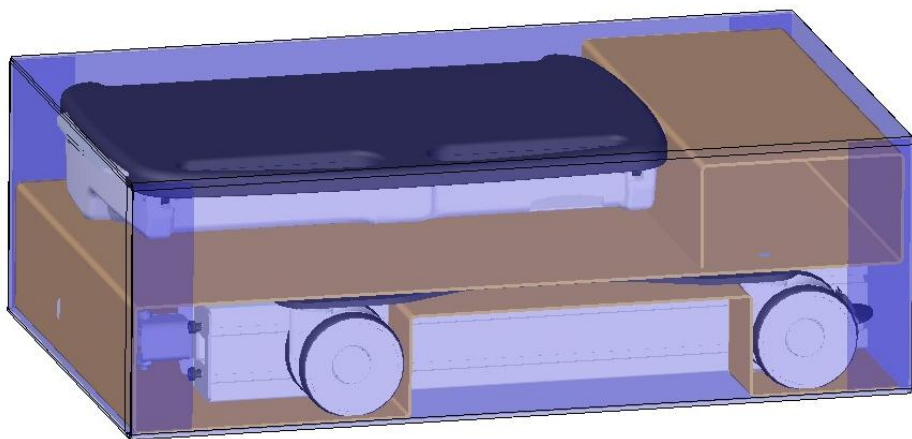
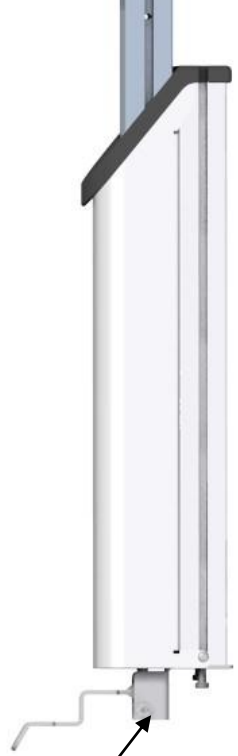
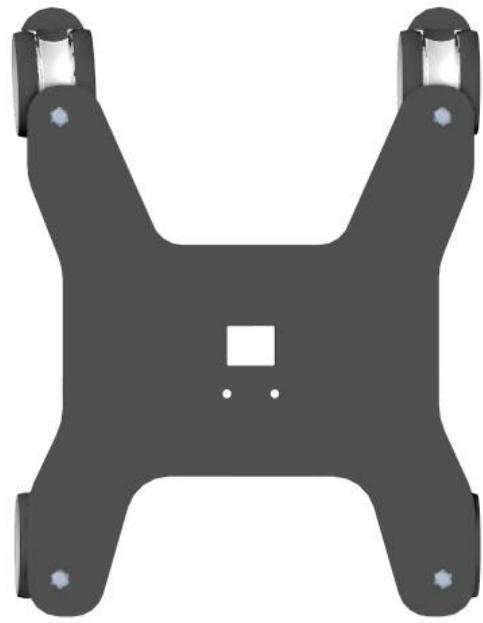
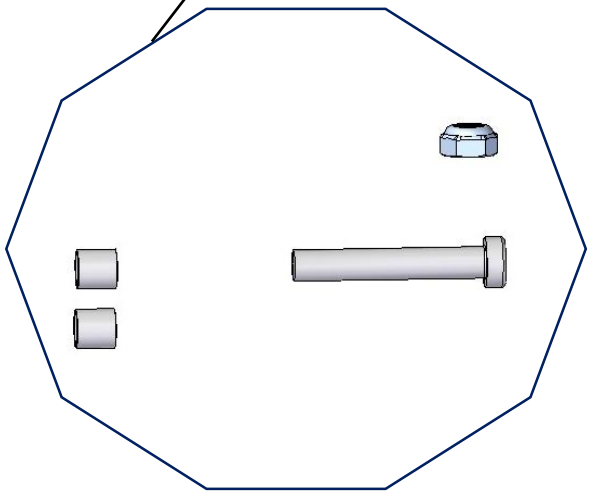


Spark 53 assembly instructions

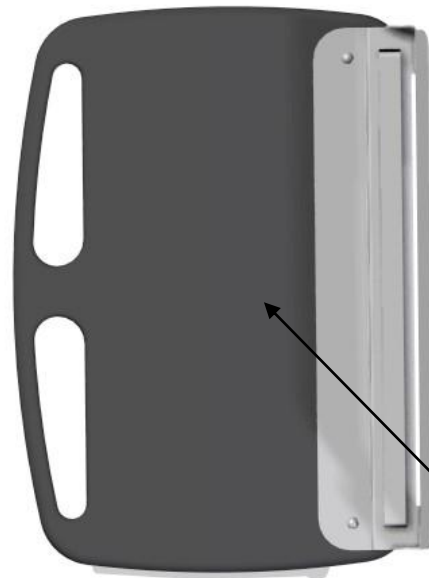




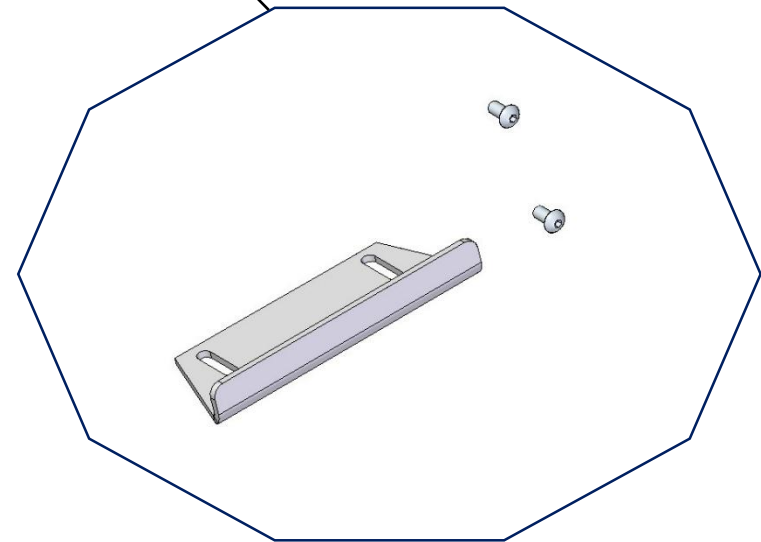
1

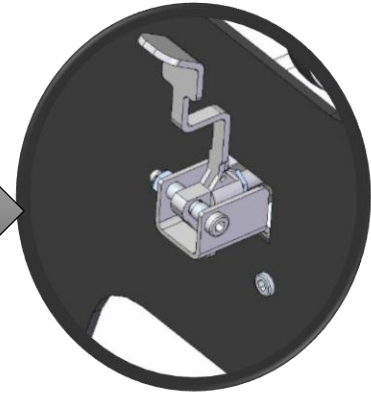
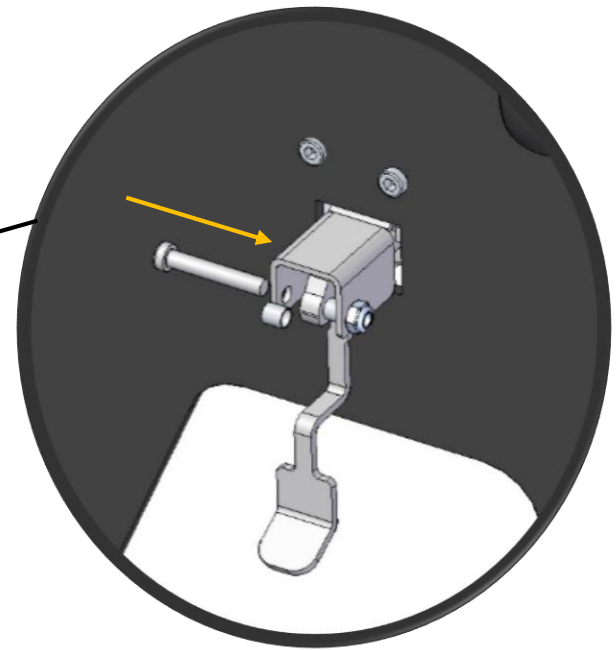
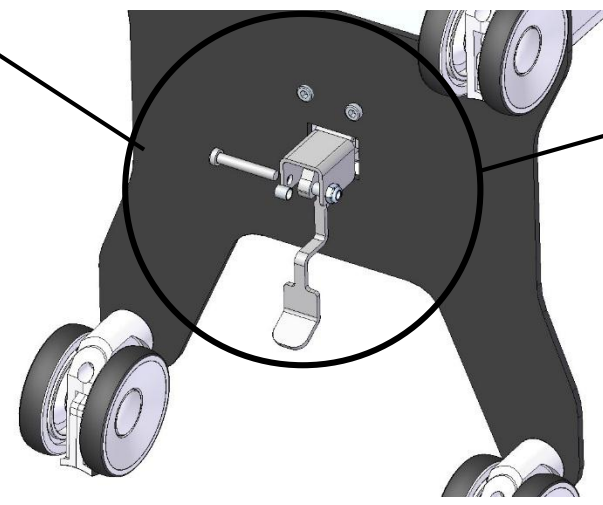
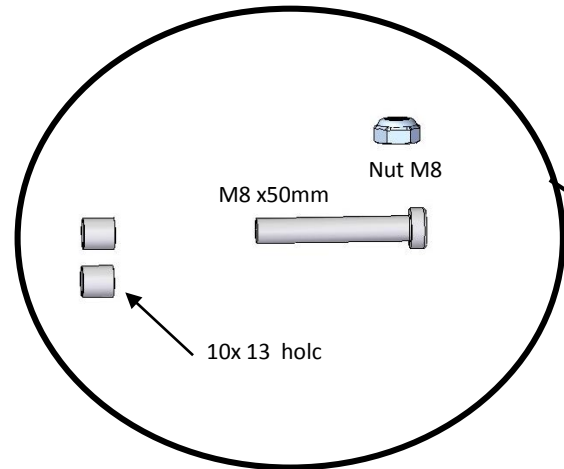
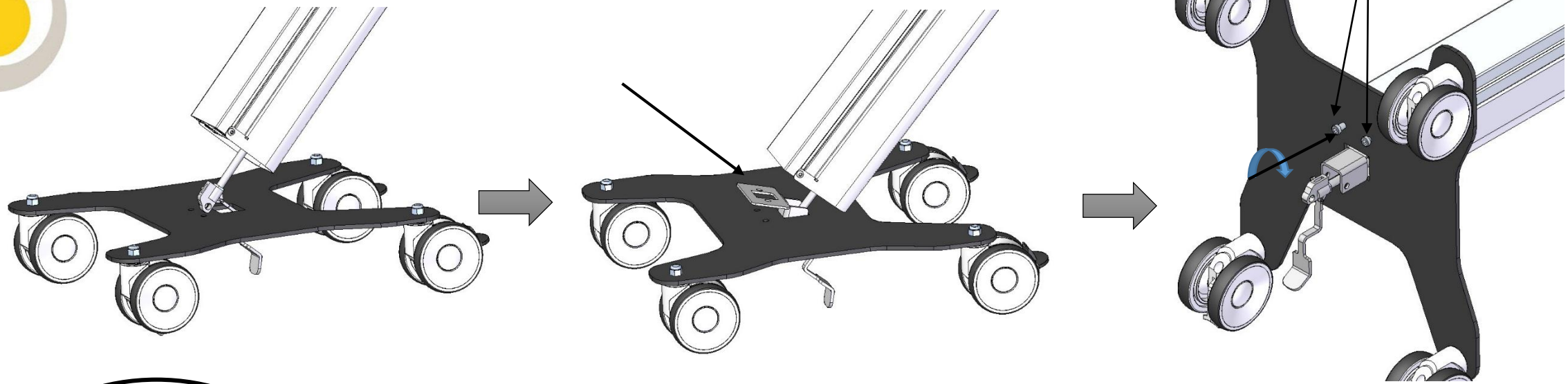
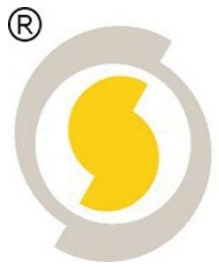


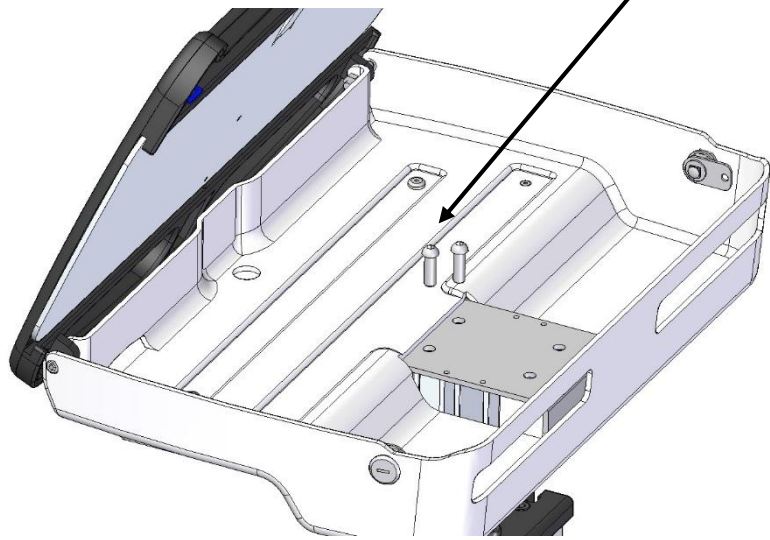
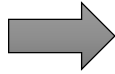
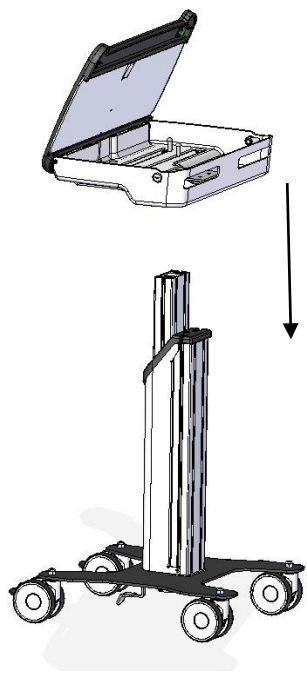
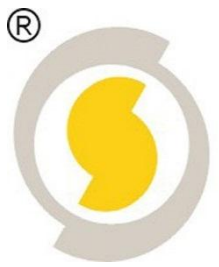
2



3







2x M8 x16mm

