

1

2

3

4

5

A

A

B

B

C

C

D

D

E

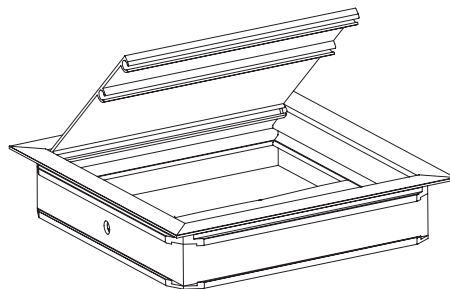
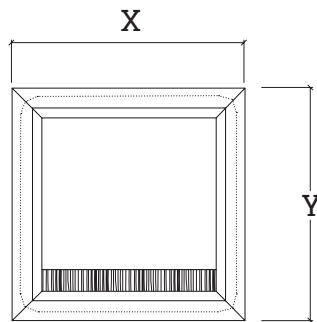
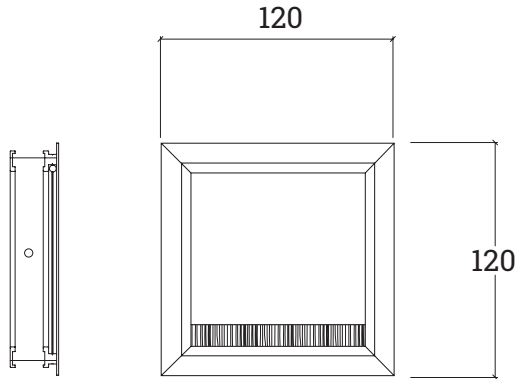
E

F

F

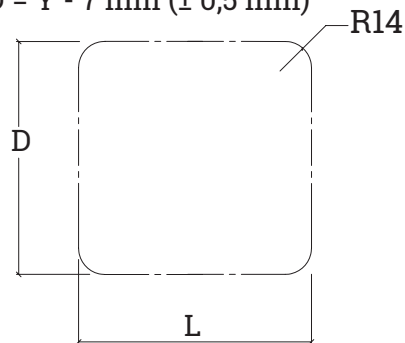
G

G



$L = X - 7 \text{ mm } (\pm 0,5 \text{ mm})$

$D = Y - 7 \text{ mm } (\pm 0,5 \text{ mm})$



**TecLines**  
telligent

| Index | Änderung / Change | Datum / Date | Name | Datum / Date | Name |
|-------|-------------------|--------------|------|--------------|------|
|       |                   |              |      |              |      |
|       |                   |              |      |              |      |
|       |                   |              |      |              |      |
|       |                   |              |      |              |      |

**TKD011T**