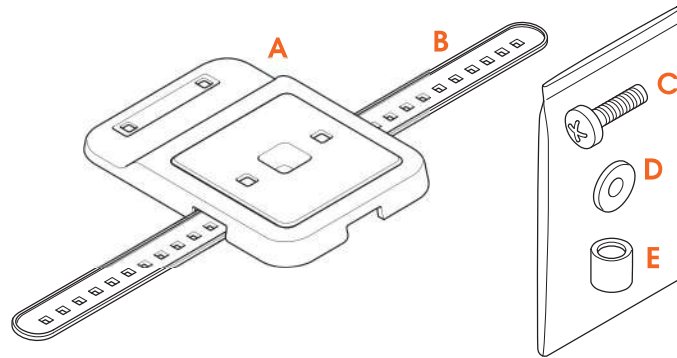


What's in the box?

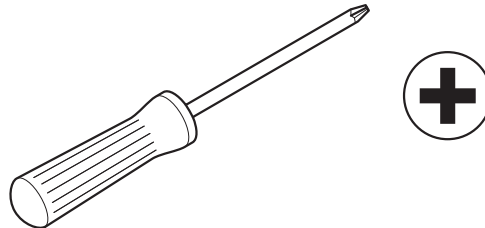
## TVA 6400 Media Box Mount



• Something missing? Make sure your packaging has everything in place:

- A. Media Box Mount
- B. Strap
- C. Bolts
- D. Spacers
- E. Nuts

Got your tools ready?



• Don't start without all the necessary tools:

- Crosshead screwdriver

Ready... set... get installing!

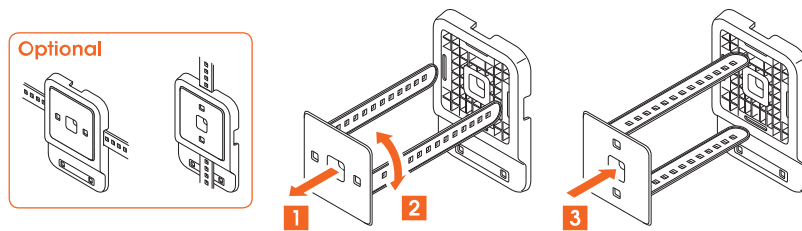
## Step 1: Install the media box mount

### Option 1: install on the TV wall mount

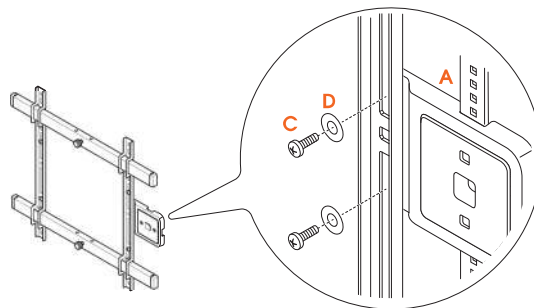


#### Warning

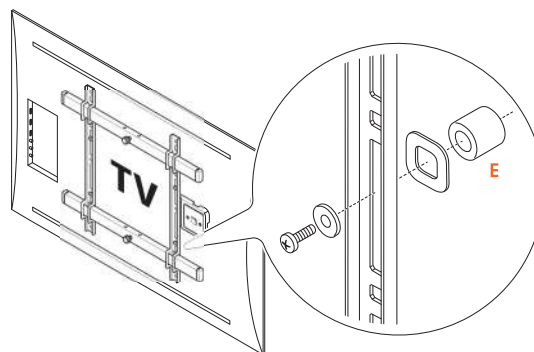
First remove the TV from the TV wall mount, before installing the media box mount.



1. Change the orientation of the strap if needed.

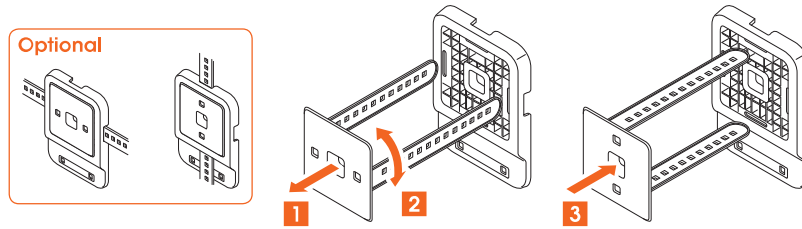


2. Screw the media box mount  on to the TV wall mount with the bolts  and nuts .

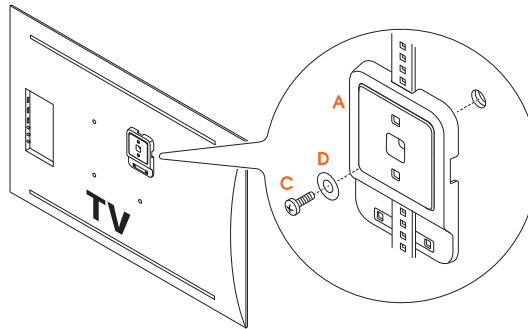


3. Attach the wall mount on the TV. Use the spacers  to create space between TV and wall mount.

## Option 2: install on the TV



1. Change the orientation of the strap if needed.



2. Screw the media box mount  on the TV.

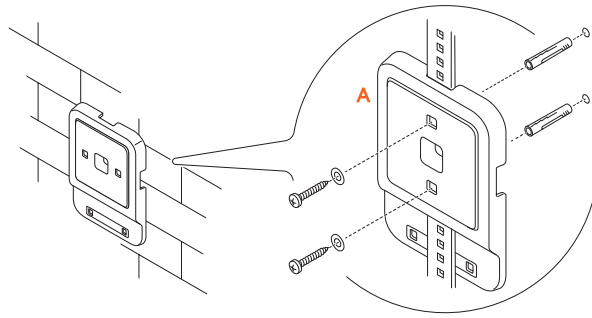


Mounting material for your wall is not included.



Refer to the user manual of your TV for the correct mounting material.

## Option 3: install on the wall



1. Depending on your type of wall, drill holes in the wall.



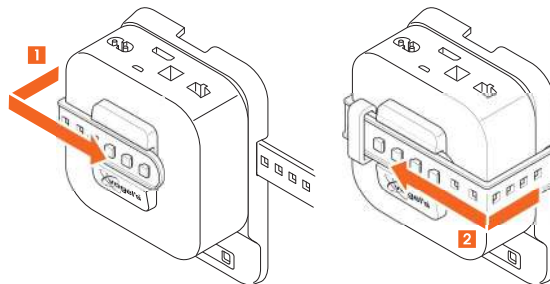
Mounting material for your TV is not included.

2. Install the media box mount  on the wall.



If your wall is a little special – for example, hollow bricks, metal stud walls, wood panels or plasterboard – or you simply aren't sure, don't worry! Just ask your installer, specialist supplier or the Vogel's Consumer Care team at [www.vogels.com/contact](http://www.vogels.com/contact) (<http://www.vogels.com/contact>).

## Step 2: Attach the device to the media box mount



1. Wrap the strap around the device and tighten it in the clip. Leftover strap can be placed in the loop.

Job done now! Enjoy watching your TV!