

## Home Cinema Speaker Wall Mounts (Pair) with Tilt and Swivel

For more information please visit [www.btechavmounts.com/BT332](http://www.btechavmounts.com/BT332)

**BT332**



### BT332

#### Home Cinema Speaker Wall Mounts (Pair) with Tilt and Swivel

**Designed for speakers up to 5kg (11lbs)**

- Speakers adjustable; up / down / sideways
- Features +/- 20° tilt adjustment and 180° swivel
- Includes adaptors for keyhole, single point and dual point fixings
- No visible wall fixing screws
- Dist from Wall: 72mm (2.8")
- Distance between dual point fixings:  
Min: 51mm (2.0") - Max: 67mm (2.6")
- Suitable for speakers using M5, M6, UNC 1/4" and wood screws
- Simple installation with all mounting hardware included
- Available in black, white or silver
- Supplied in pairs



Per Mount



Simple 'hook-on' installation



Thumbwheel for easy tilt  
and swivel adjustment



Includes optional dual  
point adaptor

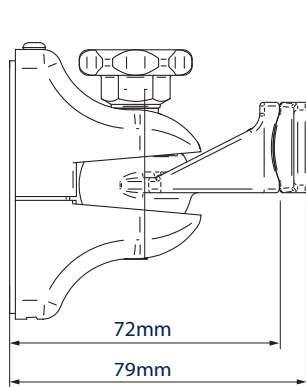


Supplied in pairs

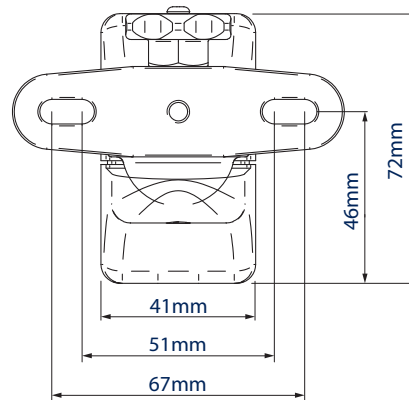
### Home Cinema Speaker Wall Mounts (Pair) with Tilt and Swivel

For more information please visit [www.btechavmounts.com/BT332](http://www.btechavmounts.com/BT332)

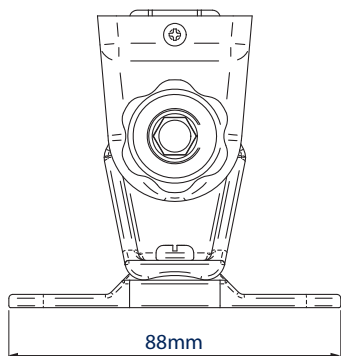
**BT332**



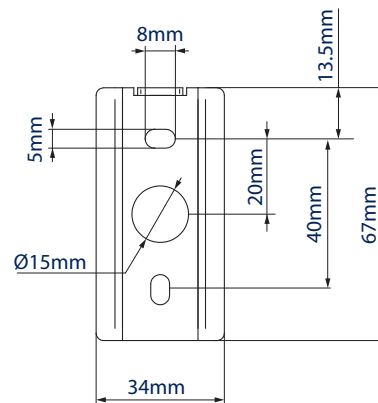
Side View



Front View



Top View



Wall Plate

Colour:	Order Ref:	EAN Code:	Master Carton Qty:	Inner Carton Qty:	Master Carton Weight:	Master Carton Cube:
Black	BT332/B	5019318041006	16	4	10.68kg (23.50lbs)	0.023cbm (0.816cuft)
Silver	BT332/S	5019318033223	16	4	10.68kg (23.50lbs)	0.052cbm (1.84cuft)
White	BT332/W	5019318043215	16	4	10.68kg (23.50lbs)	0.021cbm (0.739cuft)

**This information is intended as a guide only and reflects the current specification at the time of print. B-Tech accepts no liability for the accuracy of the information contained in this document.**