

# BT7822

## SYSTEM 2™ HEAVY DUTY CEILING / FLOOR MOUNT FOR Ø50MM POLES

Made using heavy-duty 6mm thick steel, the BT7822 offers a robust mounting solution to secure Ø50mm poles from the floor or ceiling. Its sturdy design supports substantial loads, making it the perfect choice for installing ceiling-mounted flat screens or projectors. Whether setting up a straightforward arrangement or tackling intricate installations involving multiple screens or AV components, the BT7822 can hold it up.

### SPECIFICATIONS

|                  |                               |
|------------------|-------------------------------|
| Max load         | <b>150kg*</b>                 |
| Elevation / Drop | <b>141mm</b>                  |
| Plate diameter   | <b>ø150mm</b> (without cover) |
| Colour options   | <b>Black, White or Chrome</b> |

### FEATURES

- 1 Mount from the floor or ceiling using Ø50mm poles
- 2 Ideal for mounting screens and projectors to the ceiling
- 3 Integrated cable management through the top or side of the mount
- 4 Includes cover plate for a tidy installation
- 5 Heavy-duty steel capable of supporting substantial loads
- 6 Multiple grub screws allow micro-adjustment of the pole
- 7 Also available in white or chrome finish

## SYSTEM 2™

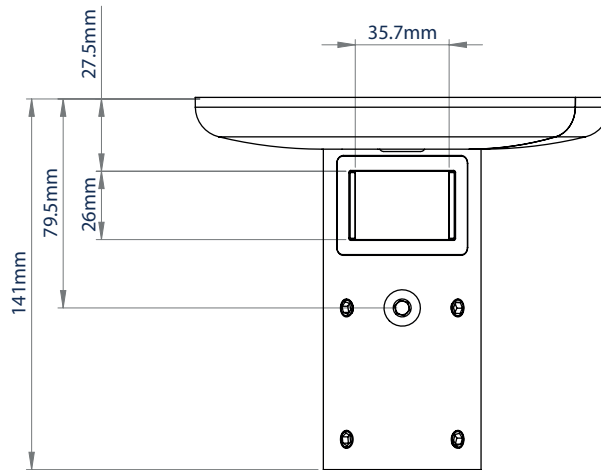
|  |  |  |   |
|--|--|--|---|
| <b>MAX LOAD</b><br> | <b>COLOUR OPTIONS</b><br> | <b>COMPATIBLE WITH SYSTEM X</b><br> |  |
|--|--|--|---|



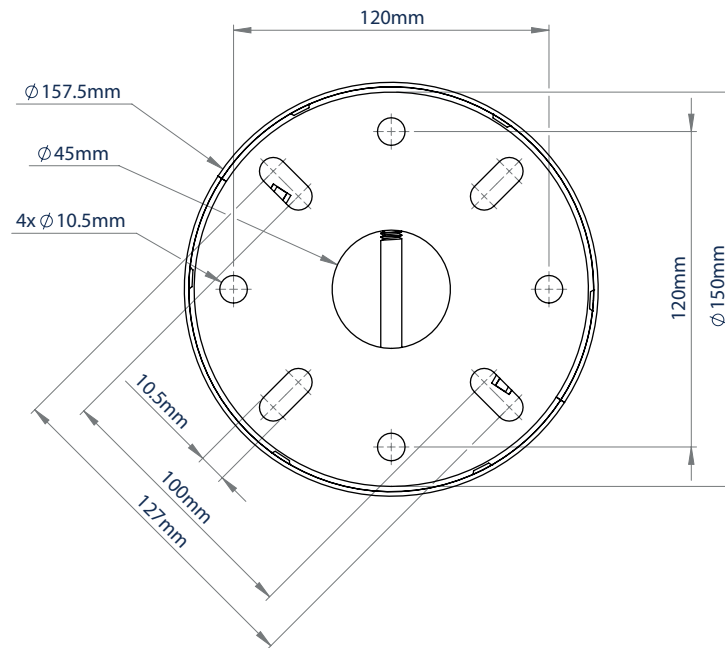
\*Max load can be increased when being used as part of a floor to ceiling installation



# BT7822



SIDE VIEW



TOP VIEW

## ORDERING INFORMATION

| COLOUR | ORDER REF | EAN           |
|--------|-----------|---------------|
| Black  | BT7822/B  | 5019318078323 |
| Chrome | BT7822/C  | 5019318078354 |
| White  | BT7822/W  | 5019318071355 |

## RELATED PRODUCTS

| PRODUCT CODE | NAME                                   | DESCRIPTION   |
|--------------|--|---|
| BT7850       | System 2 Ø50mm Poles                   | Available in a variety of lengths to create multiple pole-mounted solutions |
| BT7807       | System 2 Floor / Ceiling Mount         | Mount twin poles from the floor or ceiling using Ø50mm poles                |
| BT7851       | System 2 Adjustable Drop Ceiling Mount | Adjustable drop in 25mm increments for easy positioning the screens         |
| BT7056       | System 2 Floor Fixing Kit              | Allows Ø50mm poles to be fixed to the floor without requiring bolting       |

© B-Tech AV Mounts, Ltd. All rights reserved.  
The information this specification sheet reflects the current technical specifications at the time of printing.  
We reserve the right to change the technical or physical specifications without prior notice. The B-Tech name and the B-Tech logo are registered trademarks of B-Tech AV Mounts, Ltd.  
B-Tech is not responsible for loss or damage caused by improper installation or mounting on unsuitable structures. Any reproduction or use, adaptation or modification of any part of this specification sheet is strictly prohibited unless prior written permission is granted by B-Tech AV Mounts, Ltd. 1006124