



FOR PORTRAIT & LANDSCAPE MOUNTING

BTF841

SYSTEM X™

UNIVERSAL DUAL STACK FLAT SCREEN FLOOR STAND - 1.8M

The BTF841 is a premium mounting solution designed to mount two screens, one above the other, in either landscape or portrait orientation. A heavy duty steel base eliminates the need to bolt to the floor and adjustable levelling feet are included to accommodate uneven surfaces. The high-end aesthetic with an anodised aluminium finish and integrated cable management ensures finished installations are neat and tidy, making the BTF841 ideal for use in professional or commercial applications.

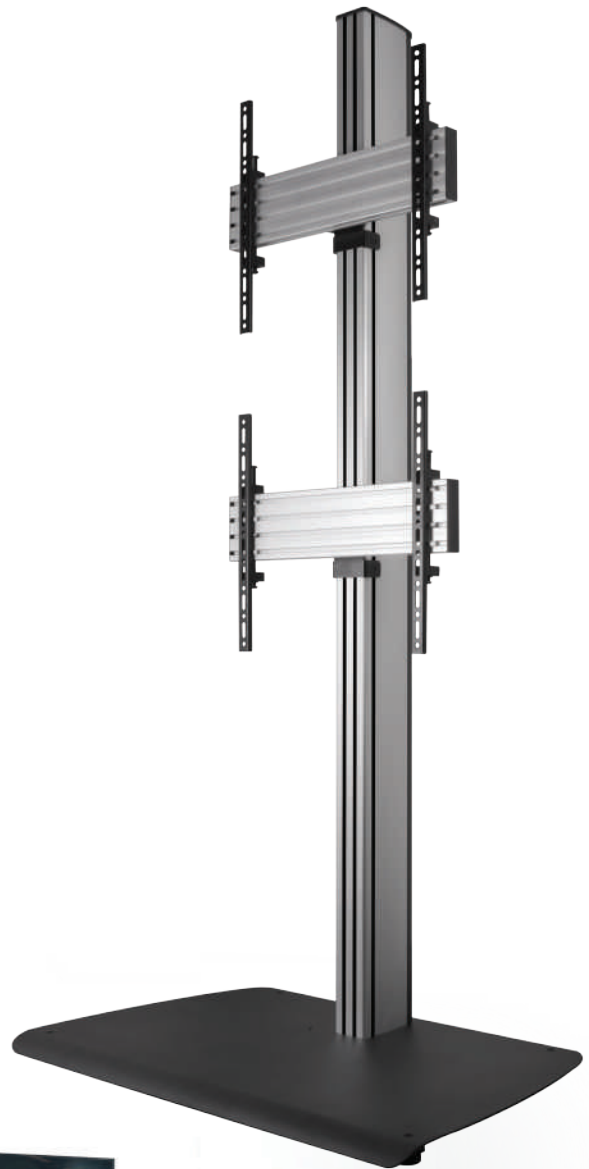
SPECIFICATION

Recommended screen size (landscape orientation)	32" to 65"
Recommended screen size (portrait orientation)	32" to 46"
Max load	35kg (per screen)
VESA® & non-VESA fixings (as standard)	up to 430 x 400mm*
VESA® & non-VESA fixings (with included adaptors)	up to 600 x 400mm*
Dimensions	W: 890mm H: 1841mm D: 604mm
Colour (column & rails)	Black or Silver
Colour (base & arms)	Black

*As standard the maximum fixing dimension is 400mm. Increase the horizontal fixing to 600mm using the included interface adaptor arms.

FEATURES

- Universal design suitable for screens in a landscape or portrait orientation
- High-end aesthetic quality
- Heavy duty steel base construction provides stability, eliminating the need to bolt to the floor
- Can also be bolted to the floor to help prevent unauthorised relocation of the display(s)
- Supplied with adjustable levelling feet to accommodate uneven floor surfaces
- Arms feature levelling screws to adjust the screen height
- Collar compatible accessories such as shelves (available separately) can be fitted directly to the column
- Integrated cable management for a neat and tidy installation
- Safety screws help prevent unauthorised screen removal
- Simple 'hook-on' screen installation
- All mounting hardware included



	LANDSCAPE	PORTRAIT	PER SCREEN		COLUMN / RAILS	BASE / ARMS



Maximum VESA fixing can be increased to 600mm using the included adapter arms



Supplied with adjustable levelling feet to accommodate uneven floor surfaces



Collar compatible accessories such as shelves (available separately) can be fitted directly to the column



Integrated cable management for a neat and tidy installation



