



BT8310XL

HEAVY DUTY POP-OUT FLAT SCREEN WALL MOUNT

INSTALLATION GUIDE & PARTS LIST

This Pack Contains 1 Mount

PLEASE KEEP THIS FOR FUTURE REFERENCE



FEATURES

- Designed for flat screens up to 125kg (305lbs)
- Recommended max screen size 120"
- Ideal solution for mounting flat screens into a recessed wall
- Fits screens with VESA mounting patterns from 200 x 100mm up to 600 x 400mm
- Suitable for landscape or portrait screen mounting
- Tool-less micro-adjustment with 8 knobs for seamless alignment of the wall display
- Push to open / push to close system provides quick and easy service access
- Integrated cable management
- Can also be pole mounted using B-Tech accessory collars



CONTENTS

Installation Safety Notes.....	2
Parts List.....	4
Installation Instructions	6
Product Dimensions.....	11
B-Tech Contact Details.....	12

TOOLS REQUIRED

Spanner
or socket

Crosshead
screwdriver

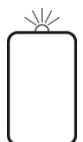
Drill

Masonry bit or
wood bit

Pencil

Level
(optional)

Stud finder
(optional)



B-TECH AV MOUNTS

www.btechavmounts.com

INSTALLATION SAFETY INSTRUCTIONS



CAUTION: This mount is intended for use only with the maximum weights indicated. Use with flat screens heavier than the maximum indicated may result in instability causing possible injury.

Do not attempt to install this product until all instructions and warnings have been read and properly understood. Please keep these instructions for future reference.

Please check carefully to make sure there are no missing or defective parts - defective parts must never be used. B-Tech International Limited, its distributors and dealers are not liable or responsible for damage or injury caused by improper installation, improper use or failure to observe these safety instructions. In such cases, all guarantees will expire.

General

B-Tech International Design & Manufacturing Ltd recommends that a professional AV installer or other suitably qualified person install this product. Great care must always be taken during installation as most AV equipment is of a fragile nature, possibly heavy and easily damaged if dropped.

If you do not fully understand the instructions or are not sure how to install this product safely, then please consult a professional for advice and/or to install this product for you. Failure to mount this product correctly may cause serious injury or death both during installation and at any time thereafter.

Do not mount any AV equipment that exceeds the specific weight limit of the product you are installing.

This weight limit will be clearly stated on each product and its packaging and will vary from product to product.

Product location

Please pay careful attention to where this product is located. Check load capacity of wall prior to installation as some walls are not suitable for installation. Designed for indoor use, this mount is suitable for public or home installation. If located in a public or frequently populated area ensure that the product is out of the immediate reach of people. If any AV equipment is to be suspended over the likely path or location of people then great care should be taken to secure all parts of the installation from falling. If you install this product on drywall it must be securely fixed to a wooden stud, concrete block or other permanent structure behind the drywall board. Installing on drywall boards alone will not support the weight of most AV equipment.

When drilling holes in walls it is essential to avoid contact with electrical cables and water or gas pipes contained within. Use of a good quality live wire detector and hidden object locator is therefore recommended. Only drill into structures when you are sure it is safe to do so.

Fixing hardware

It is highly recommended that all wall fixing screws be used where supplied and that the purpose of all other fixing hardware is fully understood. In some cases more AV equipment fixing hardware will be supplied to accommodate different models of equipment and set up configurations.

The installer must be satisfied that any supplied fixing hardware is suitable for each specific installation. If any fixing screws or included hardware are deemed not sufficient for a safe installation then please consult a professional or your local hardware store.

Hazard limitation

When routing cables take advantage of any built in cable management features that the product might provide and ensure that all cables are tidy and secure. Check to see that any moving aspect of the product can do so unhindered by any cabling.

Some products have moving parts and the potential to cause injury through the crushing or trapping of fingers or other body parts.

Particular attention to the nature of moving parts is required especially when assembling installing and adjusting during set up.

Immediately after installations double-check that the work done is safe and secure. Double-check all necessary fixings are present and are of ample tightness.

It is recommended that periodic inspections of the product and its fixing points are made as frequently as possible to ensure that safety is maintained. If in doubt consult a professional AV installer or other suitably qualified person.

CS

Společnost B-Tech International Design And Manufacturing Ltd. doporučuje provést instalaci tohoto produktu instalátora AV či jinak způsobilé osoby. Společnost B-Tech International Design And Manufacturing Ltd, její distributoři a prodejci nenesou prostřednictvím odborného odpov ědnost za škody nebo zranění způsobená nevhodnou instalací. Tento výrobek je nutno umístit do vhodné konstrukce a používat jen po uvedené maximální výšce.

DE

B-Tech International Design And Manufacturing Ltd. empfiehlt, dass dieses Produkt durch einen qualifizierten AV-Techniker oder eine andere Person mit geeigneter Qualifikation installiert wird. B-Tech International Design And Manufacturing Ltd, ihre Distributoren und Händler können nicht für durch fehlerhafte Montage verursachte Beschädigung oder Verletzung haftbar bzw. verantwortlich gemacht werden. Dieses Produkt muss auf eine geeigneten Untergrund montiert werden und darf nur bis zum angegebenen Höchstgewicht verwendet werden.

ES

B-Tech International Design And Manufacturing Ltd. recomienda que un instalador de audio y video profesional u otra persona debidamente cualificada instalen este producto. B-Tech International Design And Manufacturing Ltd, sus distribuidores y concesionarios no se hacen cargo ni se responsabilizan de ningún daño o lesión provocados por una instalación inapropiada. Este producto se debe montar en una estructura adecuada y se debe utilizar soportando solamente hasta el peso máximo indicado.

FR

B-Tech International Design And Manufacturing Ltd. recommande de confier l'installation de ce produit à un installateur AV professionnel ou à une autre personne dûment qualifiée. B-Tech International Design And Manufacturing Ltd, ses distributeurs et ses revendeurs ne sauraient être tenus responsables de tout dégât ou de toute blessure résultant d'une installation incorrecte. Ce produit doit être monté sur un support approprié et utilisé dans la limite du poids maximum indiqué.

IT

B-Tech International Design And Manufacturing Ltd. consiglia di affidare l'installazione di questo prodotto a un installatore specializzato o ad altra persona adeguatamente qualificata. B-Tech International Design And Manufacturing Ltd. i suoi distributori e rivenditori non accettano alcuna responsabilità nei riguardi di eventuali danni o infortuni causati da un'errata installazione. Questo prodotto deve essere fissato a una struttura idonea e utilizzato unicamente sino al peso massimo indicato.

NL

B-Tech International Design And Manufacturing Ltd. adviseert om dit product te laten installeren door een professionele AV-instalateur of andere hiervoor gekwalificeerde persoon. B-Tech International Design And Manufacturing Ltd, haar distributeurs en dealers zijn niet aansprakelijk of verantwoordelijk voor schade of letsel die is veroorzaakt door onoordeelkundige installatie. Dit product moet worden gemonteerd aan een geschikte constructie, waarbij het aangegeven maximum gewicht niet mag worden overschreden.

PL

Firma B-Tech International Design And Manufacturing Ltd. zaleca, aby ten produkt był instalowany przez profesjonalnych instalatorów AV lub inny odpowiednio przeszkolony personel. Firma B-Tech International Design And Manufacturing Ltd, jej dystrybutorzy i dealerzy nie ponoszą odpowiedzialności za uszkodzenia lub obrażenia ciała powstałe w wyniku nieprawidłowej instalacji. Niniejszy produkt musi być zamontowany na odpowiedniej powierzchni, a podczas u żytkowania nie wolno przekraczać podanego maksymalnego obciążenia.

PT

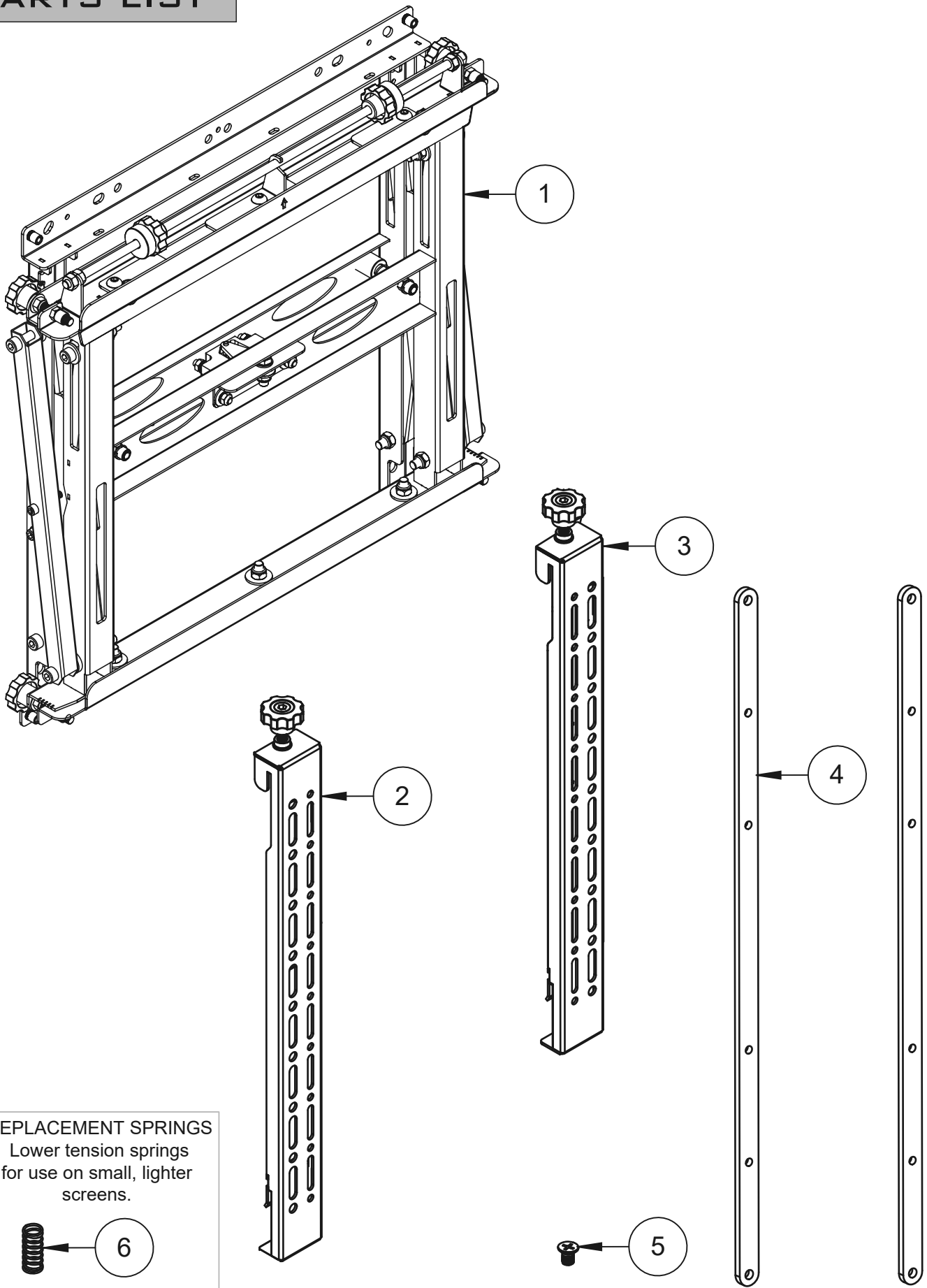
A B-Tech International Design And Manufacturing Ltd. recomenda que a instalação deste produto seja efectuada por um instalador de AV instalador de AV profissional ou outra pessoa devidamente habilitada. A B-Tech International Design And Manufacturing Ltd. e os seus distribuidores e concessionários não são responsáveis por danos ou lesões causados por uma instalação incorrecta. Este produto tem de ser montado numa estrutura adequada e utilizado somente até ao peso máximo indicado.

RU

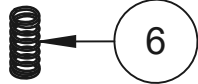
Компания B-Tech International Design And Manufacturing Ltd. рекомендует, чтобы установка данного изделия производилась инженером по установке аудио-видеотехники или другим специалистом с соответствующей квалификацией. Компания B-Tech International Design And Manufacturing Ltd. ее дистрибьюторы и дилеры не несут ответственности за повреждения или травмы, полученные в результате неправильной установки. Данное изделие должно

توصي بي- تك للتجارة الدولية المحدودة بأن شخص محترف في تركيب ال AV او شخص مؤهل تأهيلا مناسباً لتركيب هذا المنتج بي- تك للتجارة الدولية، موزعيها والتجار ليست عرضة أو مسؤولة عن الأضرار أو الإصابات الناجمة عن تركيب غير سليم، والاستخدام غير السليم أو عدم مراعاة هذه التعليمات للسلامة. يجب أن يتم تركيب هذا المنتج في بنية مناسبة ويجب استخدامه فقط لدعم الحد الأقصى للوزن المشار إليه.

BT83 10XL PARTS LIST

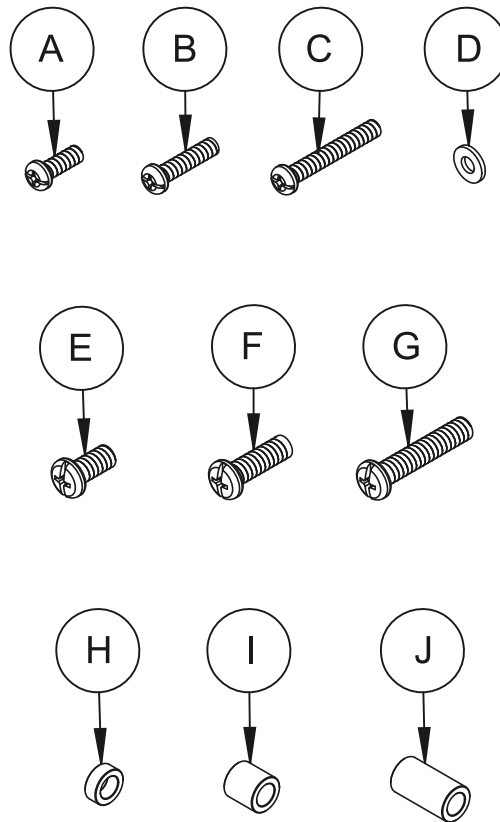


REPLACEMENT SPRINGS
Lower tension springs
for use on small, lighter
screens.



Suitable for loads up to 125kg

Flat Screen Interface Kit
(for attaching mount to back of screen)



ITEM	PART NAME	QTY
1	WALL MOUNT	1
2	INTERFACE ARM - LEFT	1
3	INTERFACE ARM - RIGHT	1
4	VESA 600 ADAPTOR ARM	2
5	M8 x 12mm SCREW	4
6	SPRING (<i>OPTIONAL</i>)	2
INTERFACE KIT		
A	M6 x 16mm SCREW	4
B	M6 x 25mm SCREW	4
C	M6 x 40mm SCREW	4
D	M6 WASHER	4
E	M8 x 16mm SCREW	4
F	M8 x 25mm SCREW	4
G	M8 x 40mm SCREW	6
H	5mm SPACER	4
I	13mm SPACER	4
J	24mm SPACER	4

PLEASE KEEP THIS FOR FUTURE REFERENCE

INSTALLATION INSTRUCTIONS

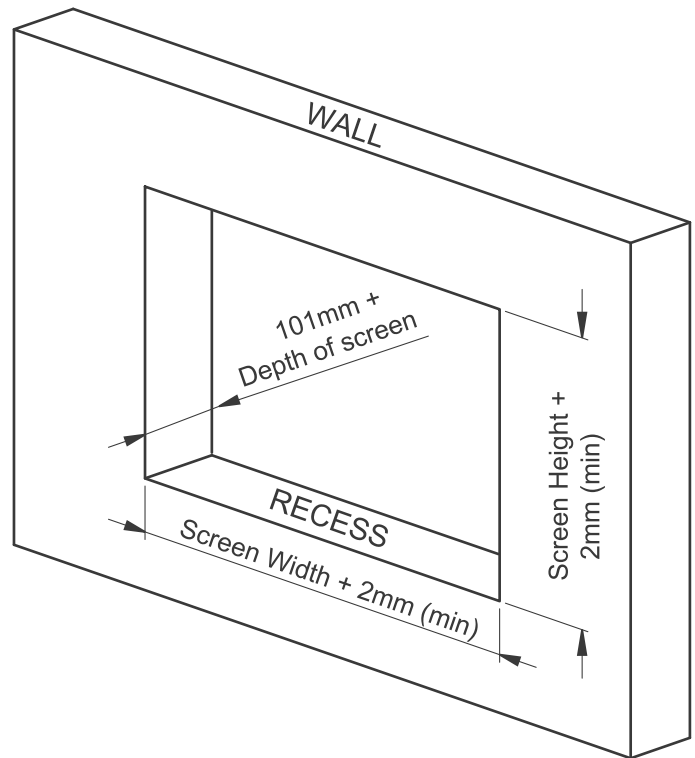
1

Mount the Wall Bracket

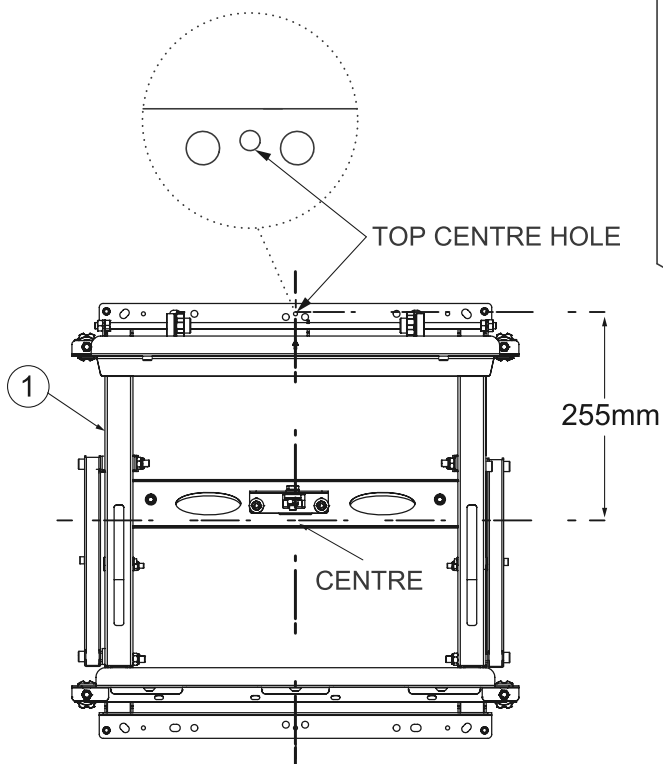
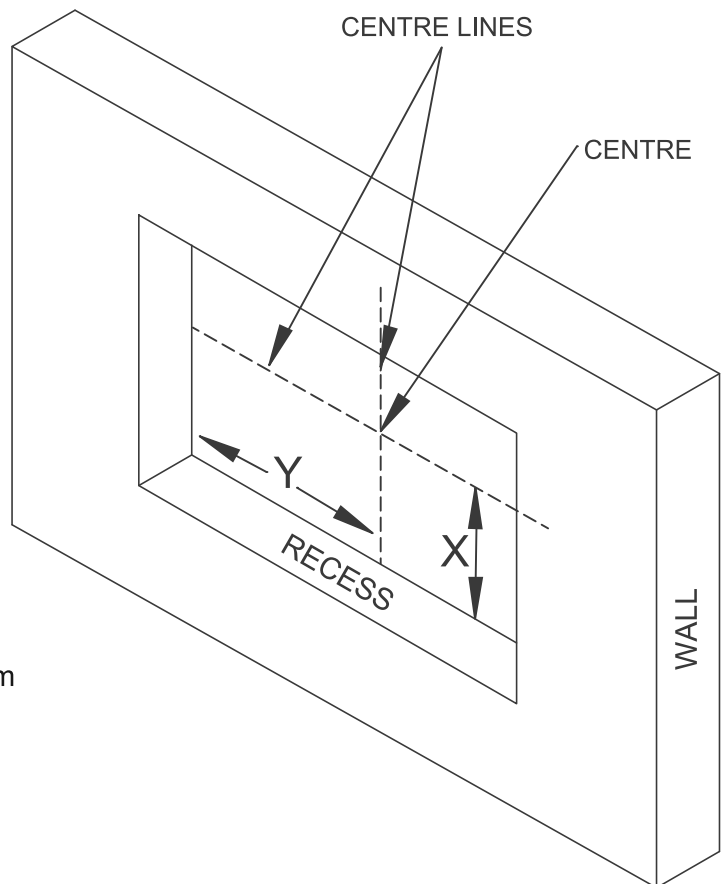
Mounting a screen into a recess

Depth of recess = 101mm* + Depth of screen.

*Add 6mm if VESA 600 adaptor arms (item 4) are used.



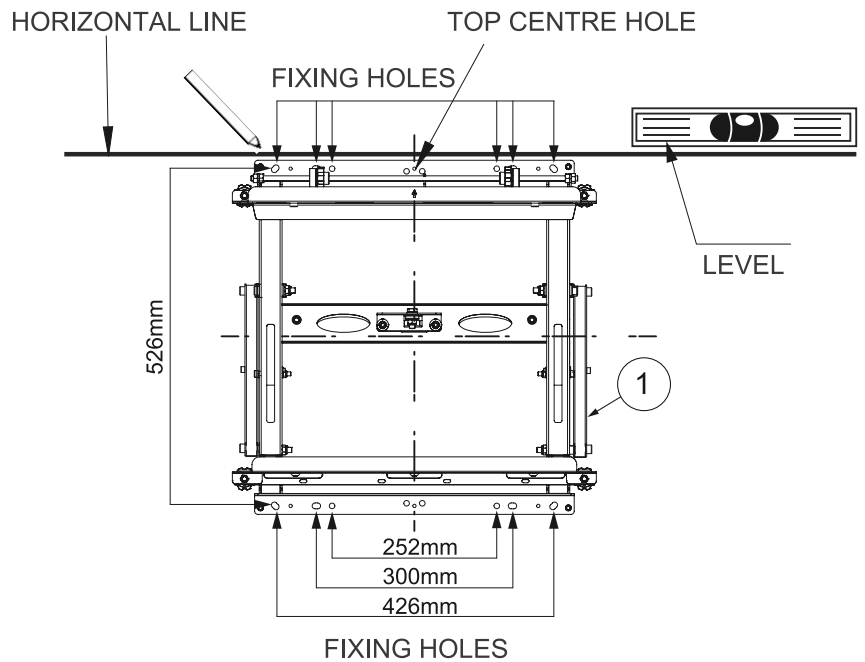
- i. Determine the centre of the screen.
- ii. Use screen centre lines to align with centre marks on wall plate.
- iii. Mark 255mm up from centre to mark the top centre hole.



Mounting the Wall Mount to a Wall

Fix item 1 to wall, use the horizontal line as a guide (fixings not included)

Note: The installer must ensure the quality of wall fixings used are suitable for the type of wall used in the installation.



INSTALLATION REQUIREMENTS

On concrete walls insert suitable wall plugs / anchors flush to the wall. Avoid drilling into the mortar joints. Drill holes at least 63mm deep.

On stud walls use a stud finder to locate and mark stud centre lines

Space the wall fixings evenly across the mount.

Minimum number of wall fixings required: **4pcs**

Minimum size of wall fixings: **St8*63mm**

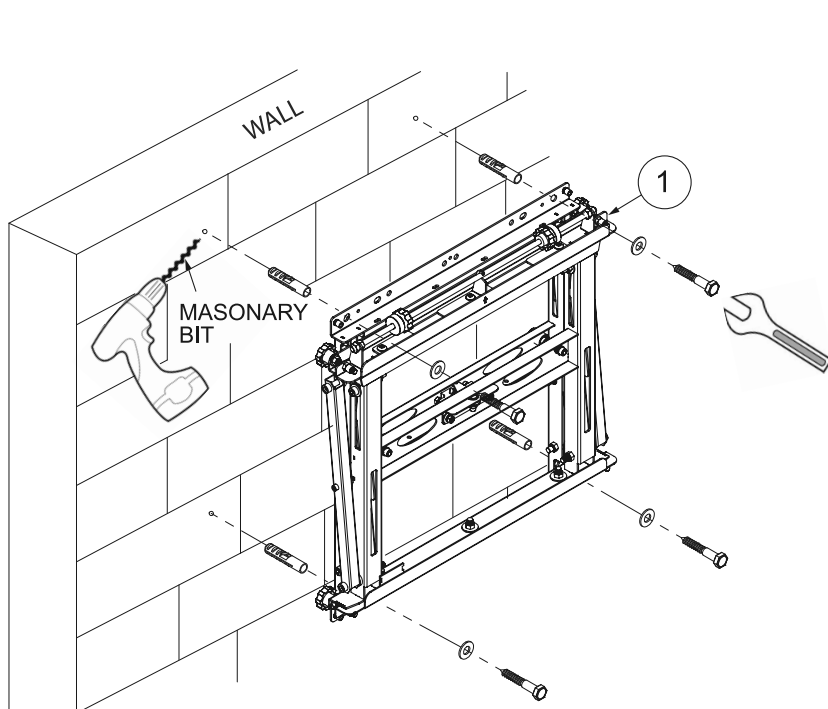
Minimum distances between wall fixing screws:
Width: **252mm** / Height: **435mm**

Only suitable for stud walls where the distance between the two studs centres are: **305mm (12")**

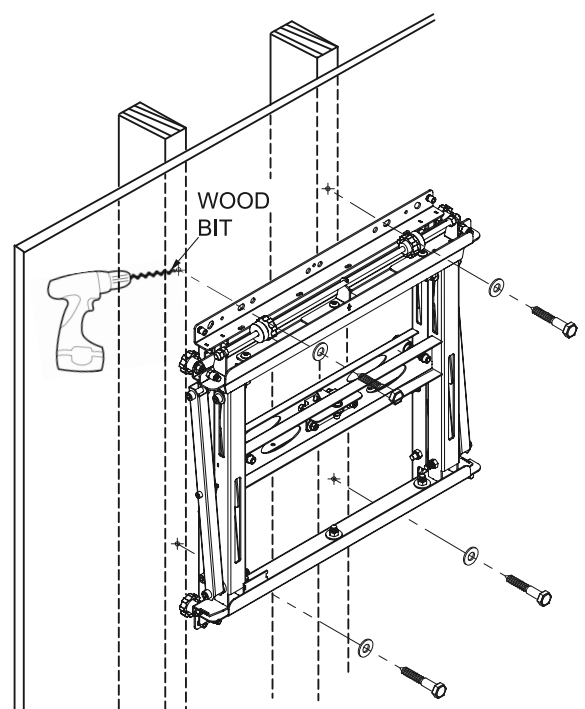
Where possible use the maximum distances to help spread the load of the installation.

Please refer to the technical drawing on *page 11* for more information.

i. Concrete wall



ii. Wood / Stud wall

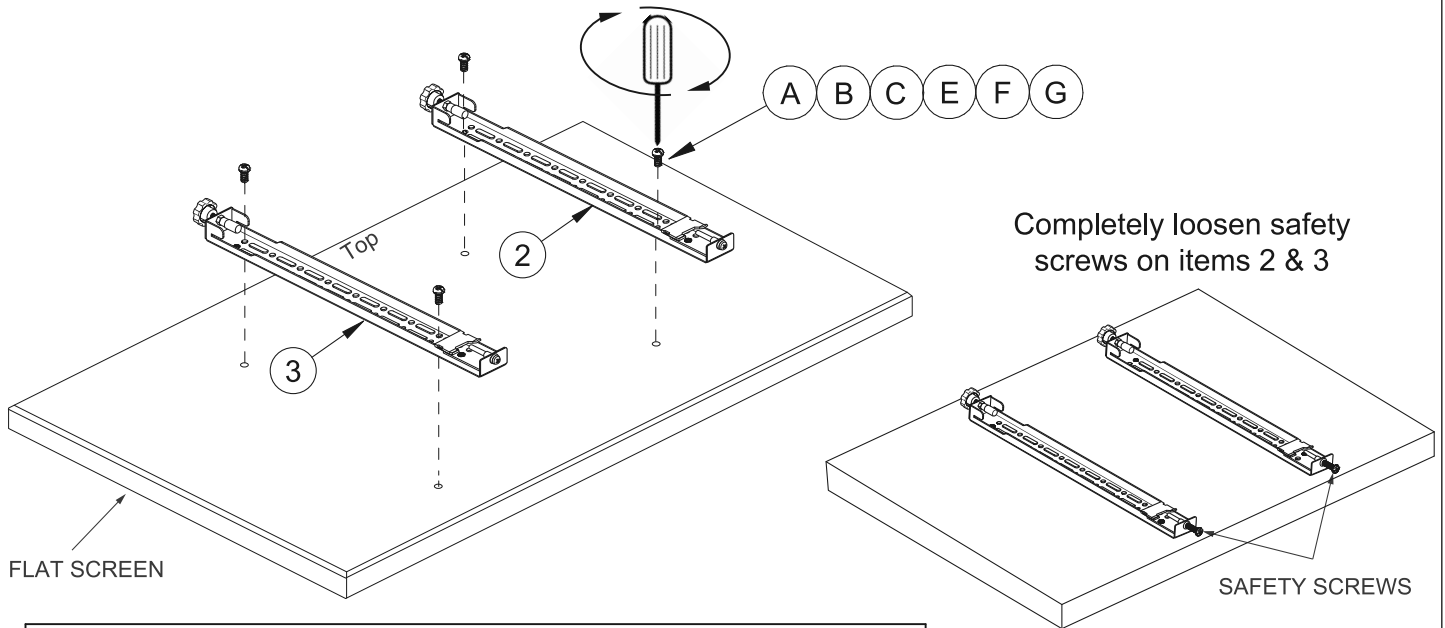


2

Attach the Interface Arms to the Flat Screen

Fix items 2 & 3 to the back of the flat screen using the screen interface kit (items A-J).

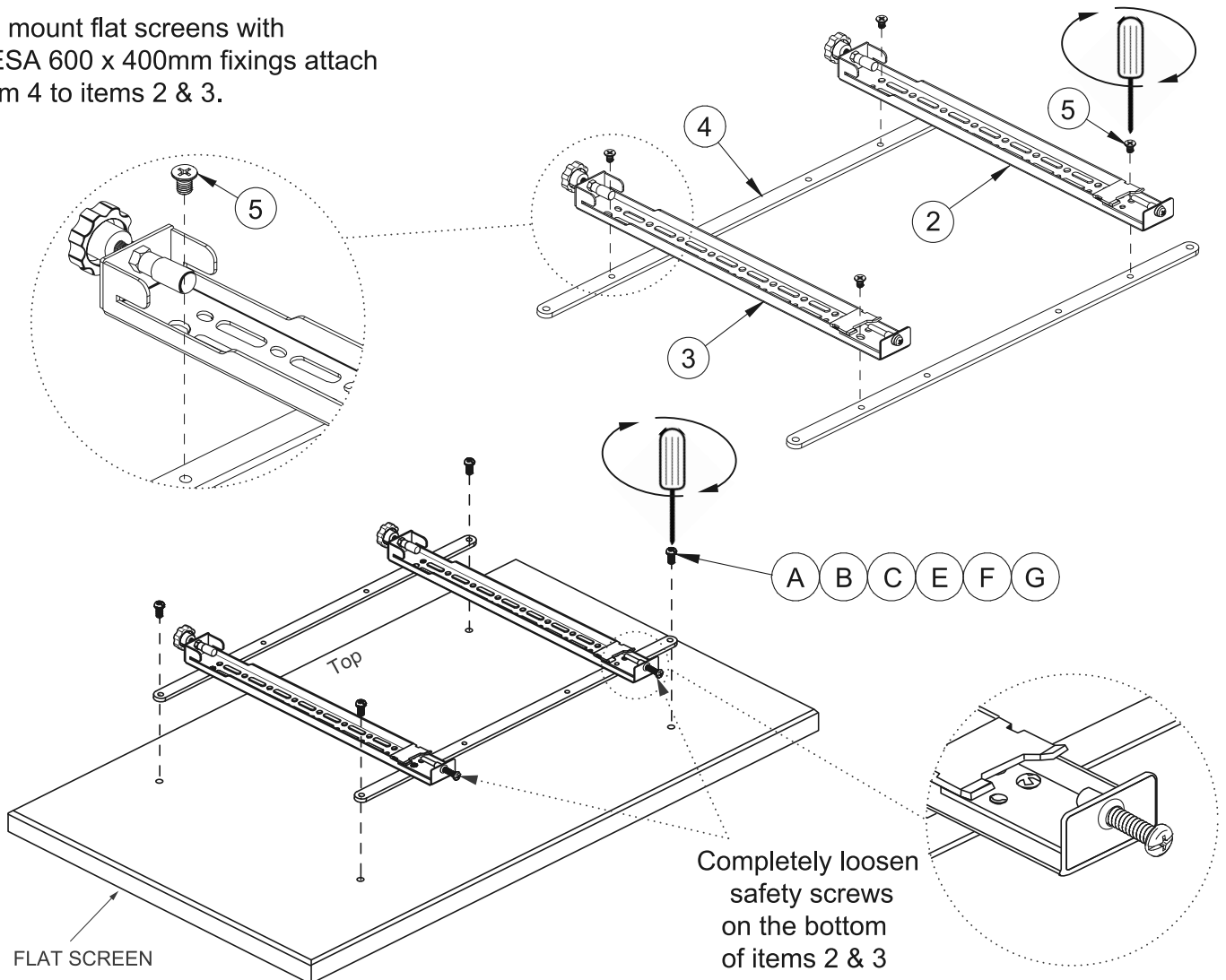
Items 2 & 3 can mount screens with fixing patterns from 200 x 100mm up to 400 x 400mm.



Note: Use spacers (items H, I & J) for screens with recess fixings.

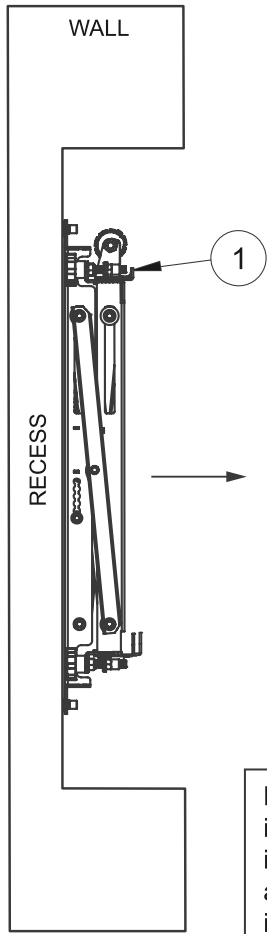
VESA 600 x 400mm Interface Adaptors

To mount flat screens with VESA 600 x 400mm fixings attach item 4 to items 2 & 3.

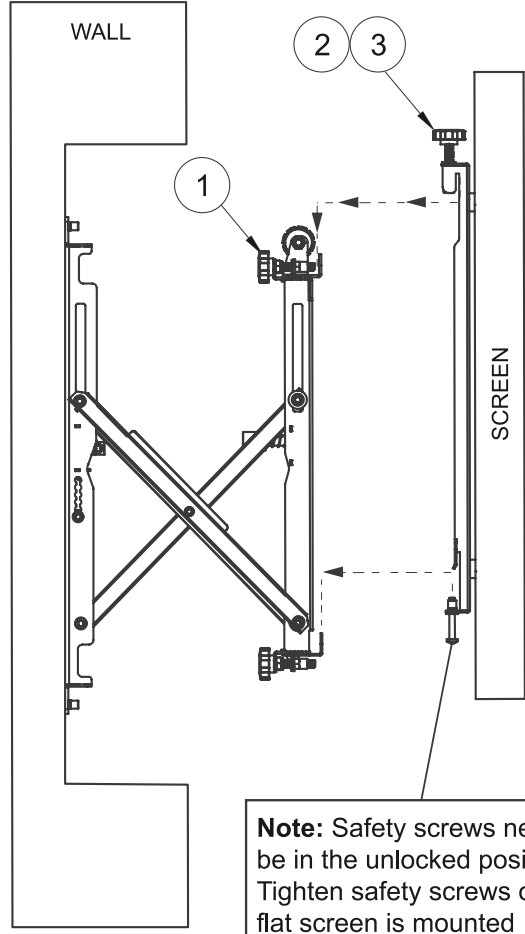


Hook Screen onto Wall Mount

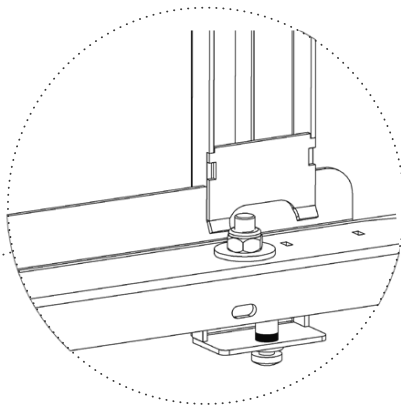
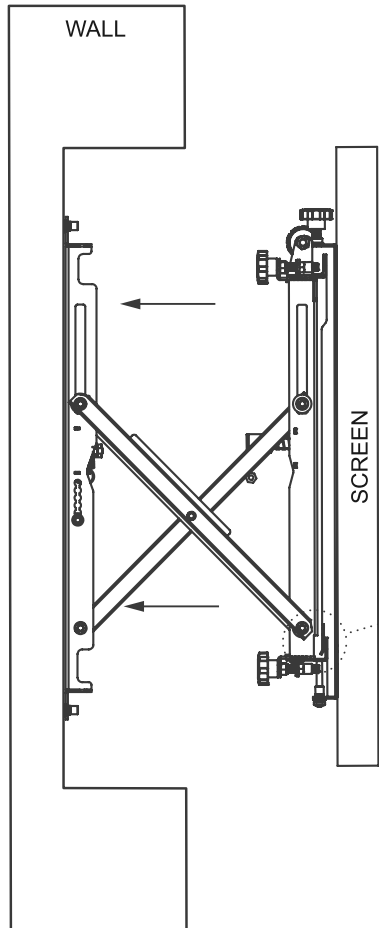
Loosen the safety screws on items 2 & 3 and hook the screen onto item 1.



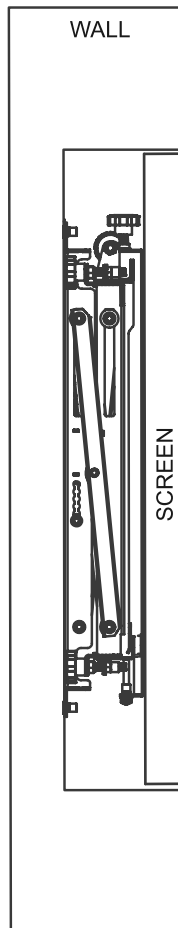
Note: Popped out position is optional. On non-recessed installations screens can also be mounted if bracket is closed.



Note: Safety screws need to be in the unlocked position. Tighten safety screws once flat screen is mounted



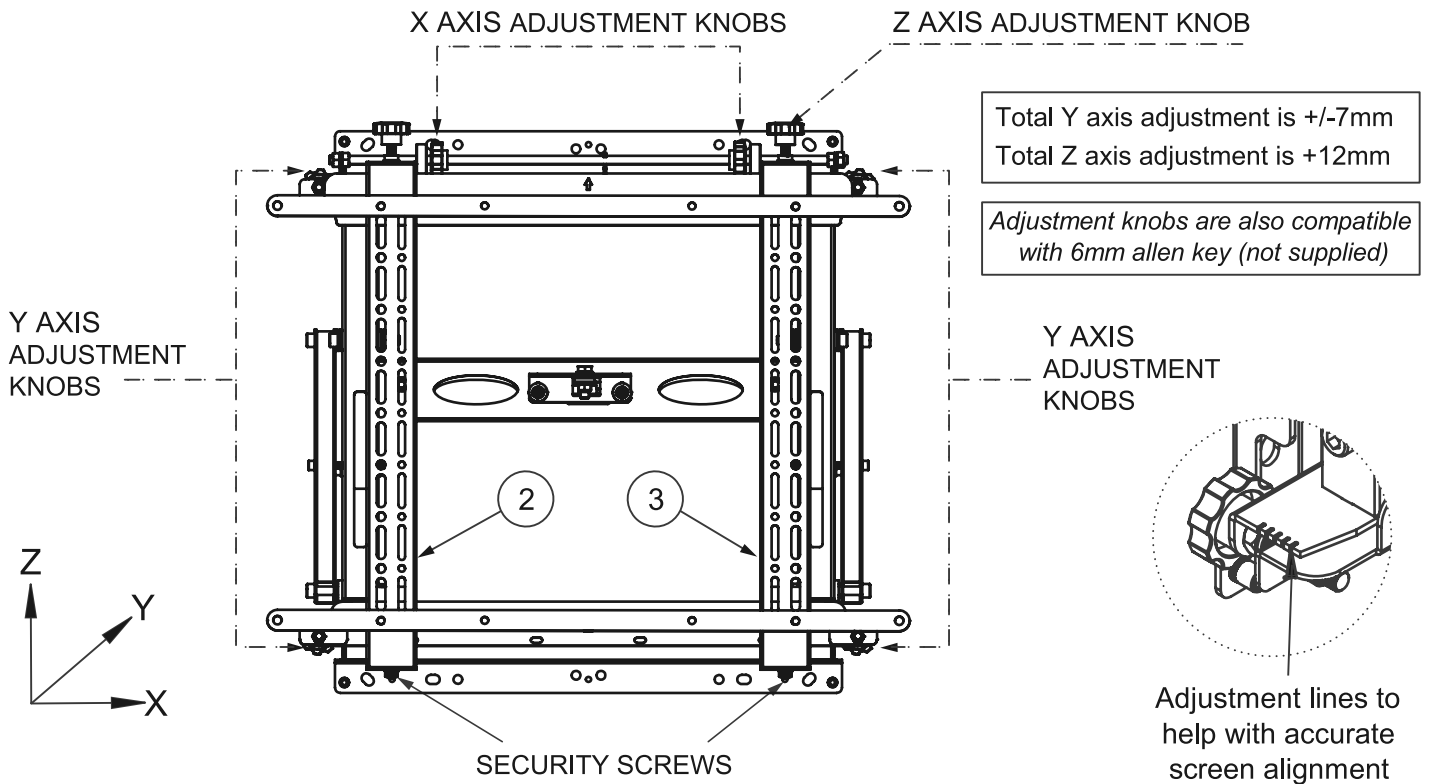
Note: Ensure the bottom interface arm hooks are properly mounted onto the wall plate.



4

Flat Screen Alignment using Micro-Adjustment

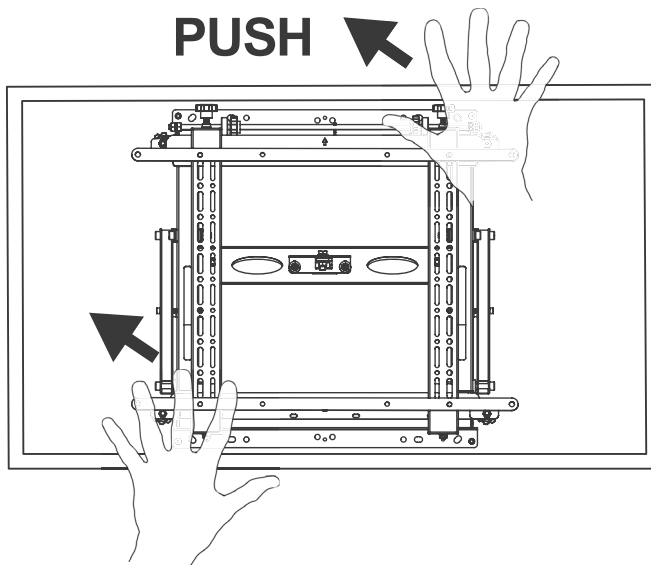
- i. Check the horizontal centre of the flat screen is aligned with the horizontal centre of the wall mount.
- ii. Using a level, align the flat screen parallel to the floor using the Z axis adjustment knobs.
- iii. Use the Y axis knobs to ensure that each corner of the flat screen is equidistant from the wall.
- iv. When the screen is positioned correctly, tighten the safety screws on items 2 & 3.



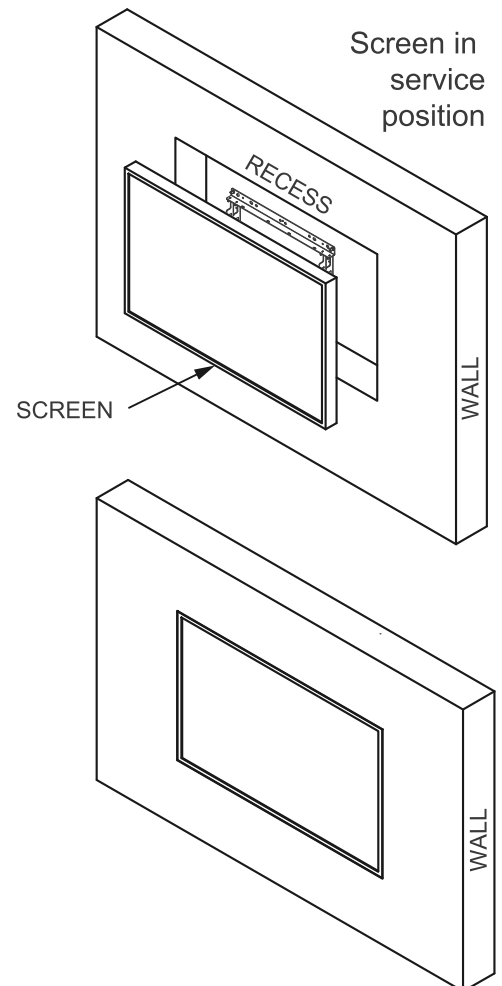
5

Servicing the Flat Screen

To service the flat screen, push the screen and the mount will release and move out from the wall. Be careful not to damage the screen when pushing. Keep hold of the screen as it moves outwards.

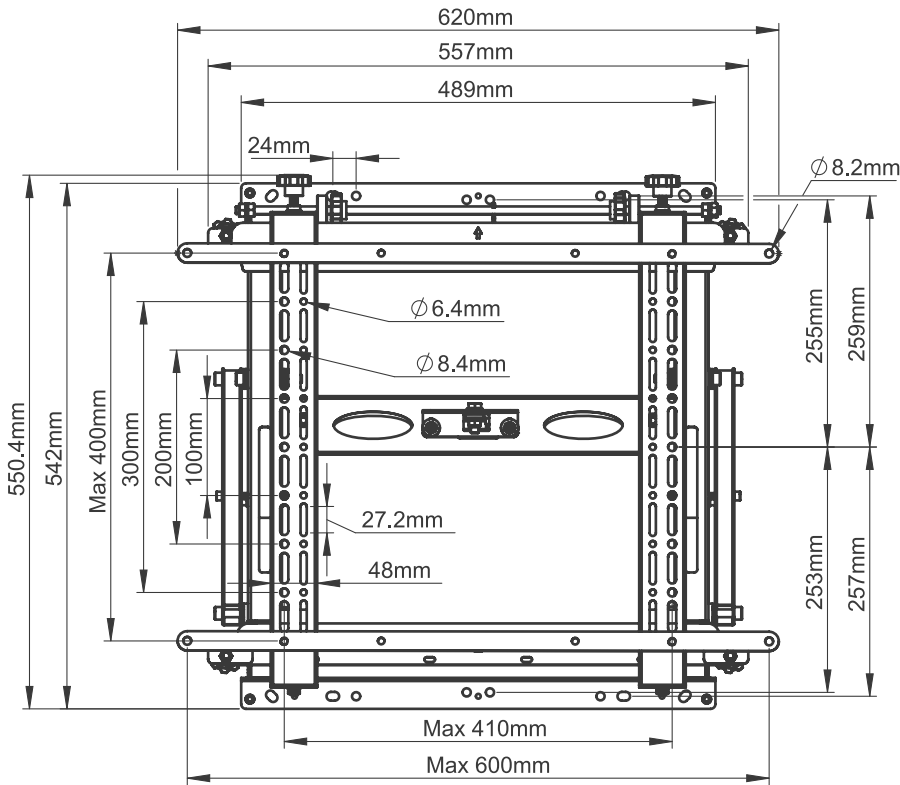


Note: Push at the top and bottom of the screen on the bezel. To avoid any screen flexing (and when spacers have been used) apply light pressure in-line with the interface arms, pushing alternative arms at the top and bottom simultaneously.

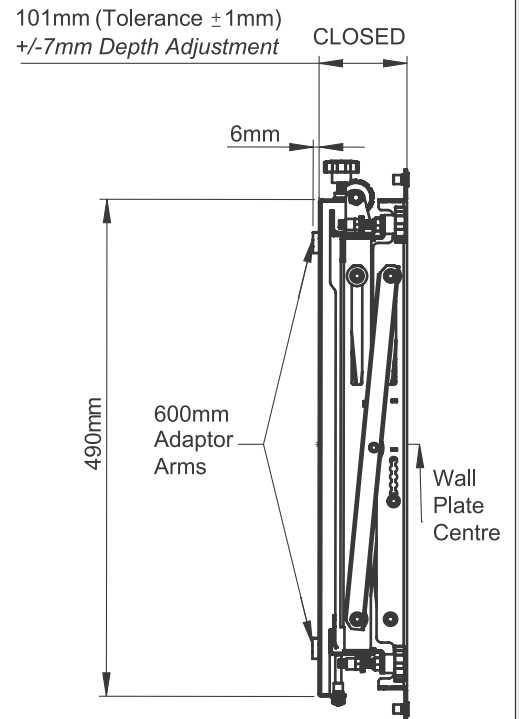


BT83 10XL PRODUCT DIMENSIONS

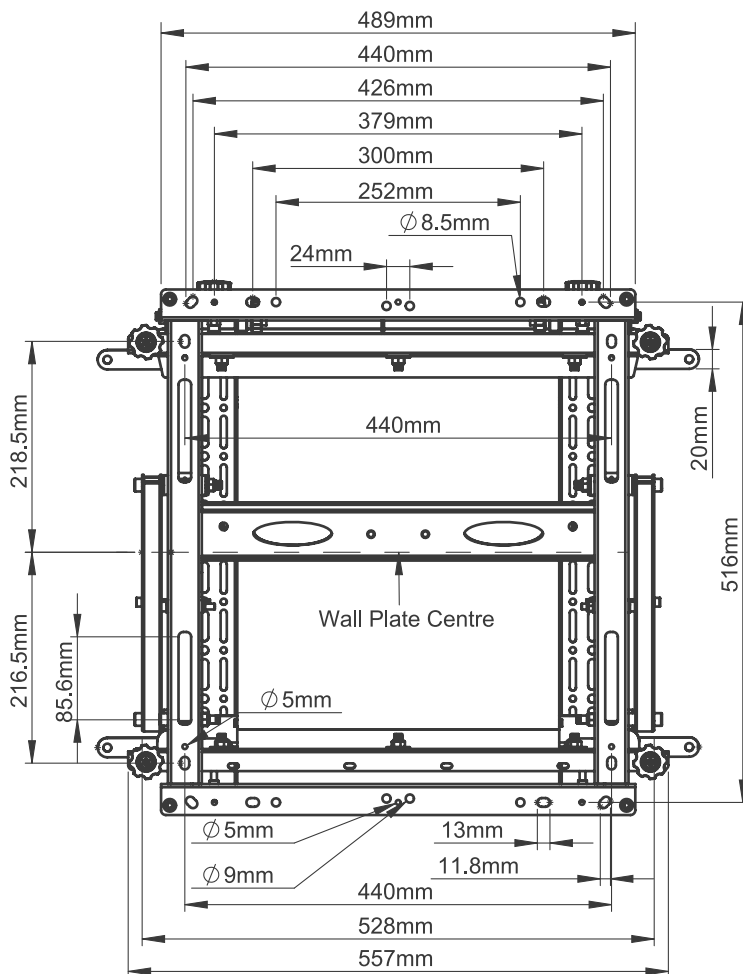
FRONT VIEW



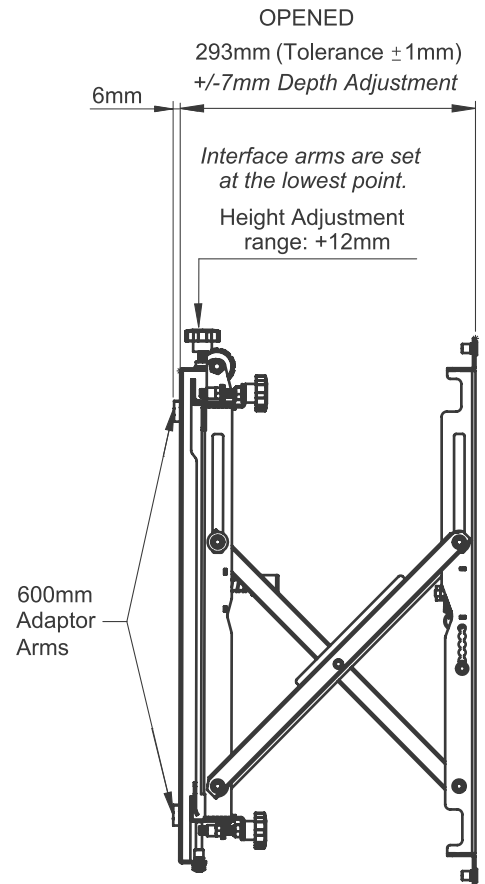
SIDE VIEW



REAR VIEW



SIDE VIEW



WARNING
FIX / TIE THE CABLES TO
PREVENT POSSIBLE DAMAGE

THESE INSTRUCTIONS ARE INTENDED AS A GUIDE ONLY AND B-TECH ACCEPTS NO LIABILITY FOR THE ACCURACY OF THE INFORMATION CONTAINED IN THIS DOCUMENT



www.btechavmounts.com

B-TECH AV MOUNTS

HEAD OFFICE

B-Tech International Limited

Bennett House, Long March, Daventry, Northants., NN11 4NR, UK

Email: info@btechavmounts.com

©2018 B-Tech International Design and Manufacturing Limited. All rights reserved.
B-Tech AV Mounts is a division of B-Tech International Design and Manufacturing Limited.
B-Tech & Better By Design are registered trademarks of B-Tech International Design and Manufacturing Limited.
All other brands and product names are trademarks of their respective owners.
Photographs are for illustrative purposes only. E&OE.

AMA-BT8310XL-V1-1218-BTECH MADE IN VIETNAM