



**MOUNTS
 SCREENS
 UP TO
 125KG**

BT8310XL

HEAVY DUTY POP-OUT FLAT SCREEN WALL MOUNT

Designed to mount extra-large screens, the heavy duty BT8310XL is capable of mounting screens up to 125kg in both landscape and portrait orientations. With reinforced scissor arms, this wall mount is ideal for mounting the largest sized screens and features an easy to use pop-out function and 8-point micro-adjustment, making installation and alignment into a recessed wall both quick and simple. Access to the rear or sides of the screen for maintenance or cabling is possible through the pop-out feature, with an additional locking kit accessory available (separately) to prevent unauthorised access if required.



SPECIFICATION

Recommended screen size	42" - 120"
Min/ Max Load	70kg to 125kg
VESA® compatibility (as standard)	200 x 100 to 400 x 400
VESA® compatibility (with adaptors)	up to 600 x 400
Flat to wall depth	101mm* (+/-7mm with micro-adjustment)
Popped out depth	293mm* (+/-7mm with micro-adjustment)
Colour	Black

FEATURES

- Perfect solution for mounting large heavy duty screens into a recessed wall
- Suitable for landscape or portrait screen mounting
- Push to open / push to close system provides quick and easy service access
- Tool-less micro-adjustments at 8 points for seamless display alignment
- Suitable for both wall or pole mounting
- Integrated cable management
- Locking kit (**BT8310-LK**) to prevent accidental pop-out of mount is also available (separately)
- Safety screws help prevent unauthorised removal of screens
- Includes interface adaptor arms as standard (pictured below) for use with screens with VESA 600 x 400 fixings (larger interface adaptor arms are available, contact us for more information)
- All mounting hardware included



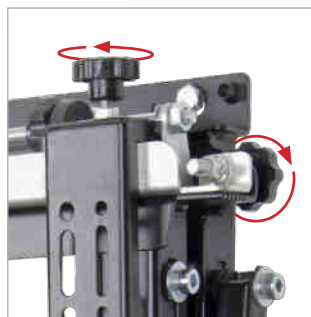
**Please note using the included Interface Adaptor Arms to mount VESA 600 x 400 screens will increase the total depth of the product by 6mm, for a total depth of 107mm, or 299mm whilst popped out (+/-7mm micro-adjustment).*



Side arms are reinforced to hold heavy loads up to 125kg



Push to open / push to close system provides quick and easy service access



Tool-less micro-adjustment at 8 points for seamless display alignment



Optional Interface Adaptors for VESA 600 x 400 fixings included as standard

